



US00D322967S

# United States Patent [19]

[11] Patent Number: **Des. 322,967**

**Kodera**

[45] Date of Patent: **\*\* Jan. 7, 1992**

[54] **FACSIMILE**

[75] Inventor: **Takeshi Kodera, Osaka, Japan**  
[73] Assignee: **Sharp Corporation, Osaka, Japan**  
[\*\*] Term: **14 Years**  
[21] Appl. No.: **539,666**  
[22] Filed: **Jun. 18, 1990**

[30] **Foreign Application Priority Data**

Dec. 20, 1989 [JP] Japan ..... 1-46781  
[52] U.S. Cl. .... **D14//118**  
[58] Field of Search ..... D14/107, 109, 118, 124,  
D14/217, 299; D18/36-37; 358/400-401

[56] **References Cited**

**U.S. PATENT DOCUMENTS**

D. 304,183 10/1989 Hara et al. .... D14/118  
D. 312,252 11/1990 Nishio et al. .... D14/118  
D. 314,956 2/1991 Tsukada ..... D14/118

D. 315,150 3/1991 Nagata et al. .... D14/118

**OTHER PUBLICATIONS**

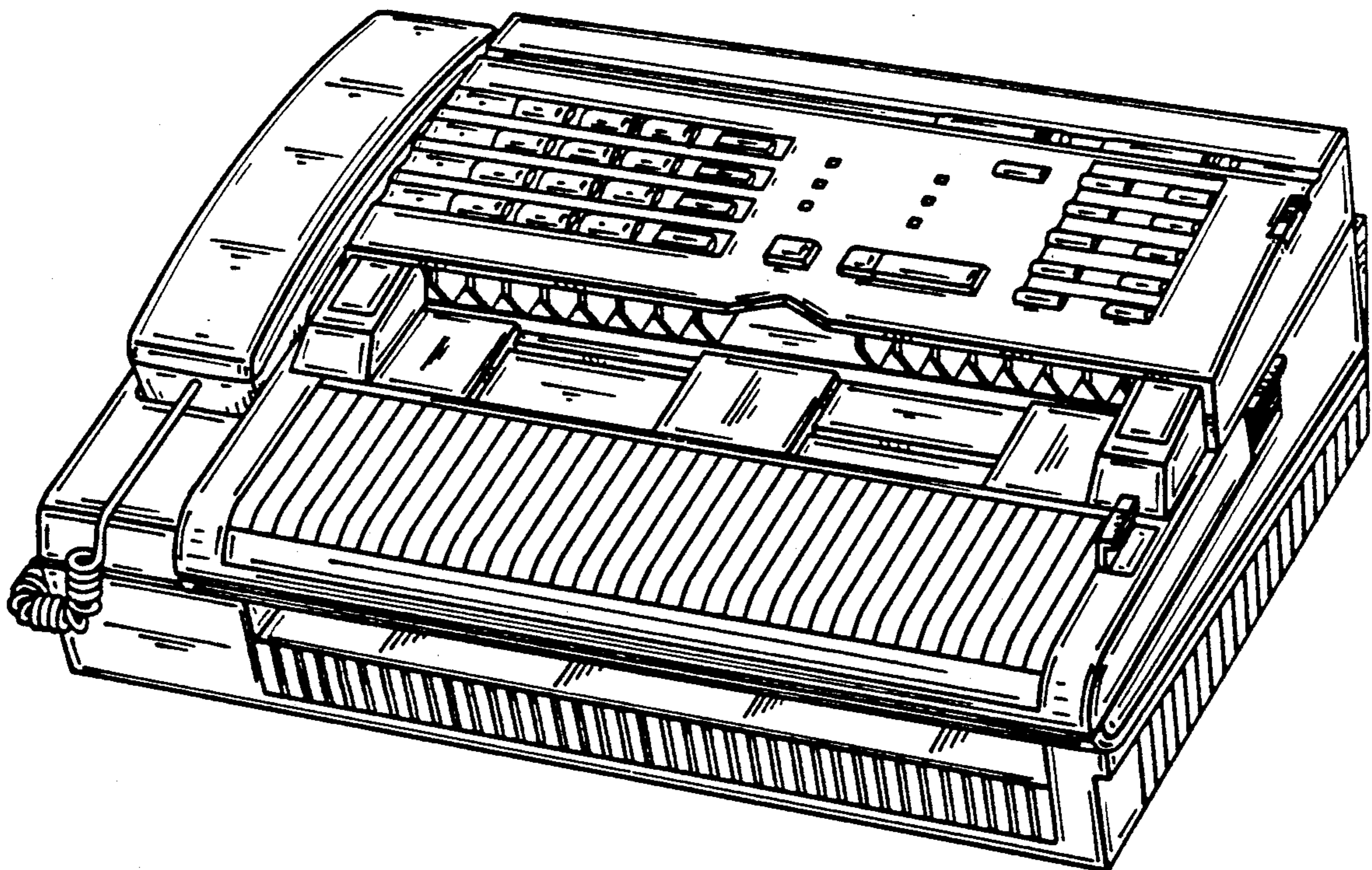
HFD, 10/17/88, p. 163, Toshiba facsimile.  
*Primary Examiner*—Theodore M. Shooman  
*Attorney, Agent, or Firm*—Flehr, Hohbach, Test,  
Albritton & Herbert

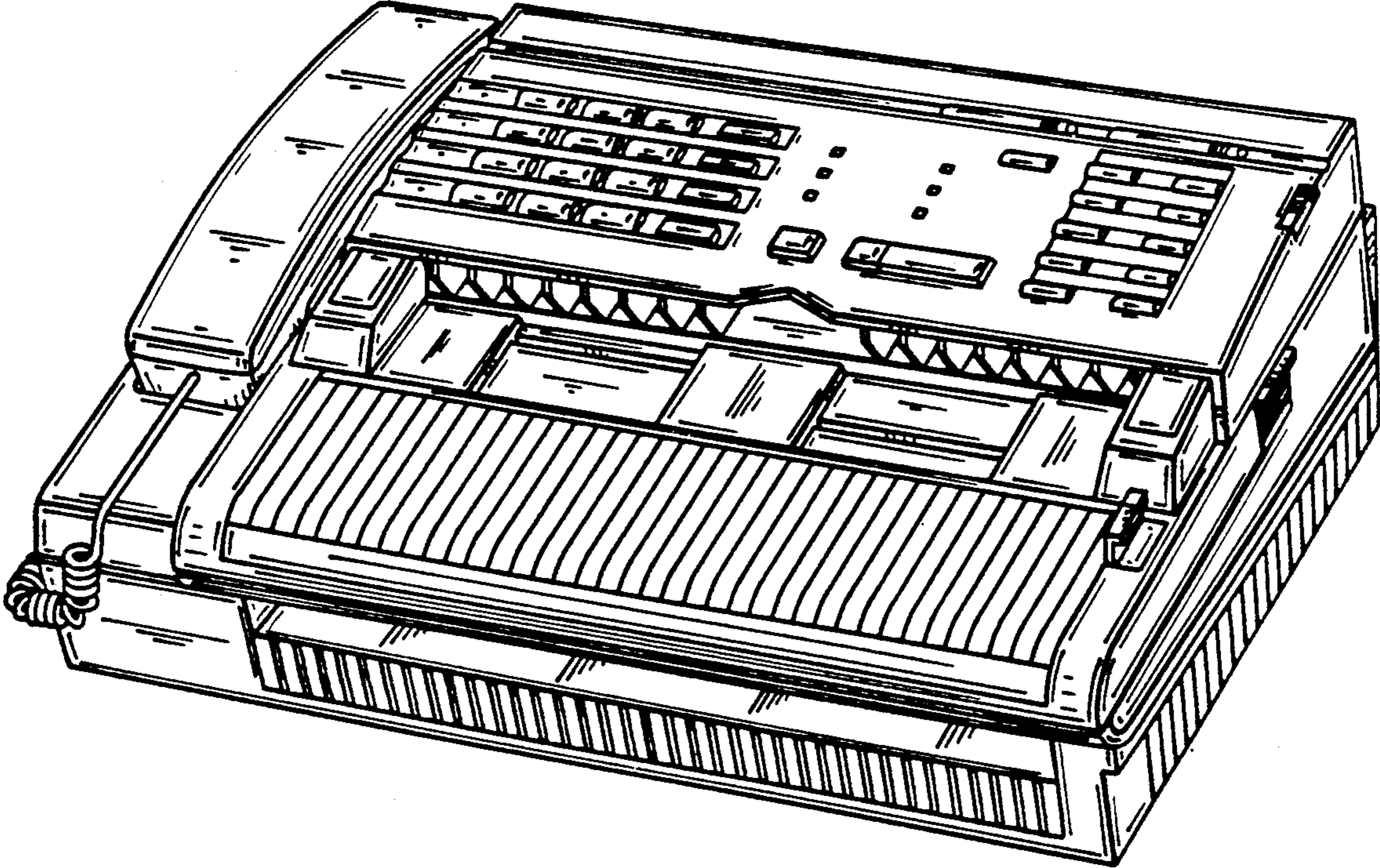
[57] **CLAIM**

The ornamental design for a facsimile, as shown and described.

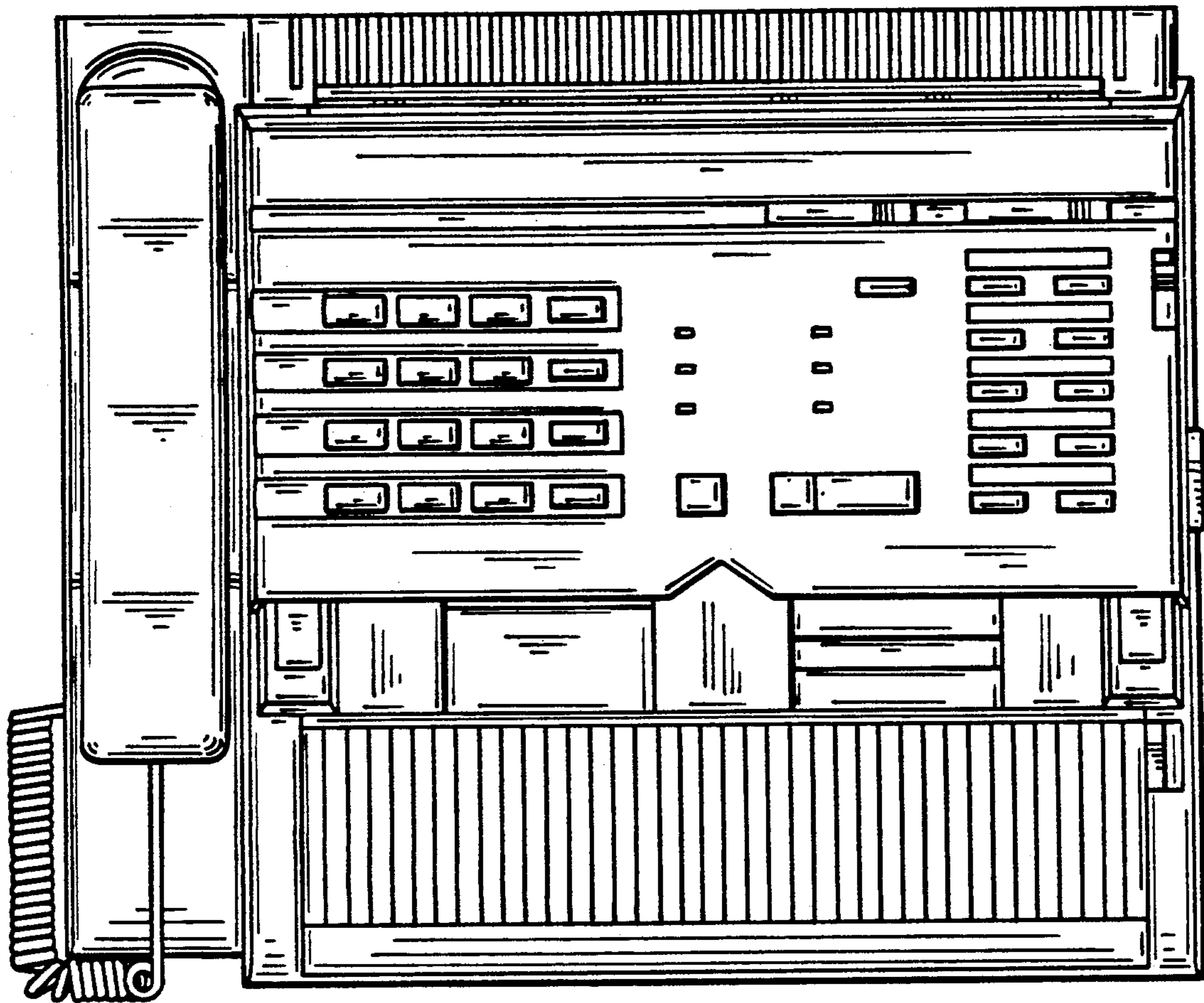
**DESCRIPTION**

FIG. 1 is a top, front and right side perspective view of a facsimile showing my new design;  
FIG. 2 is a top plan view thereof;  
FIG. 3 is a bottom plan view thereof;  
FIG. 4 is a front elevational view thereof;  
FIG. 5 is a rear elevational view thereof;  
FIG. 6 is a right side elevational view thereof; and  
FIG. 7 is a left side elevational view thereof.

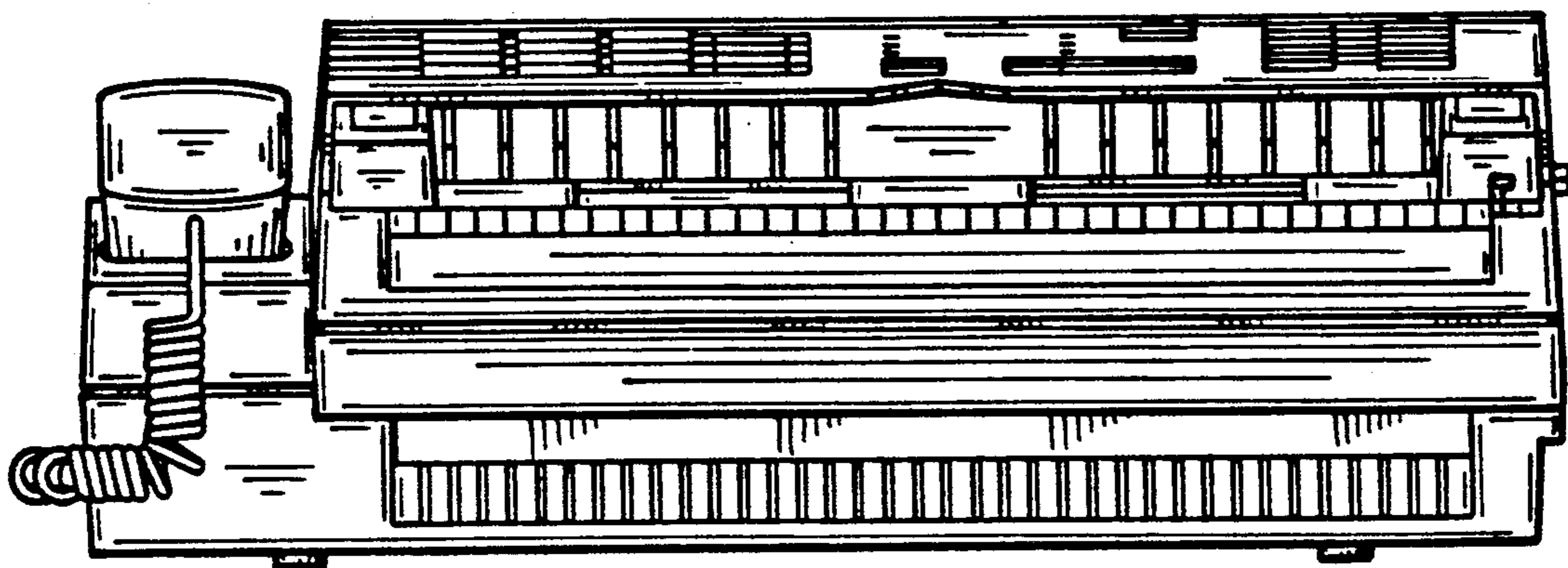




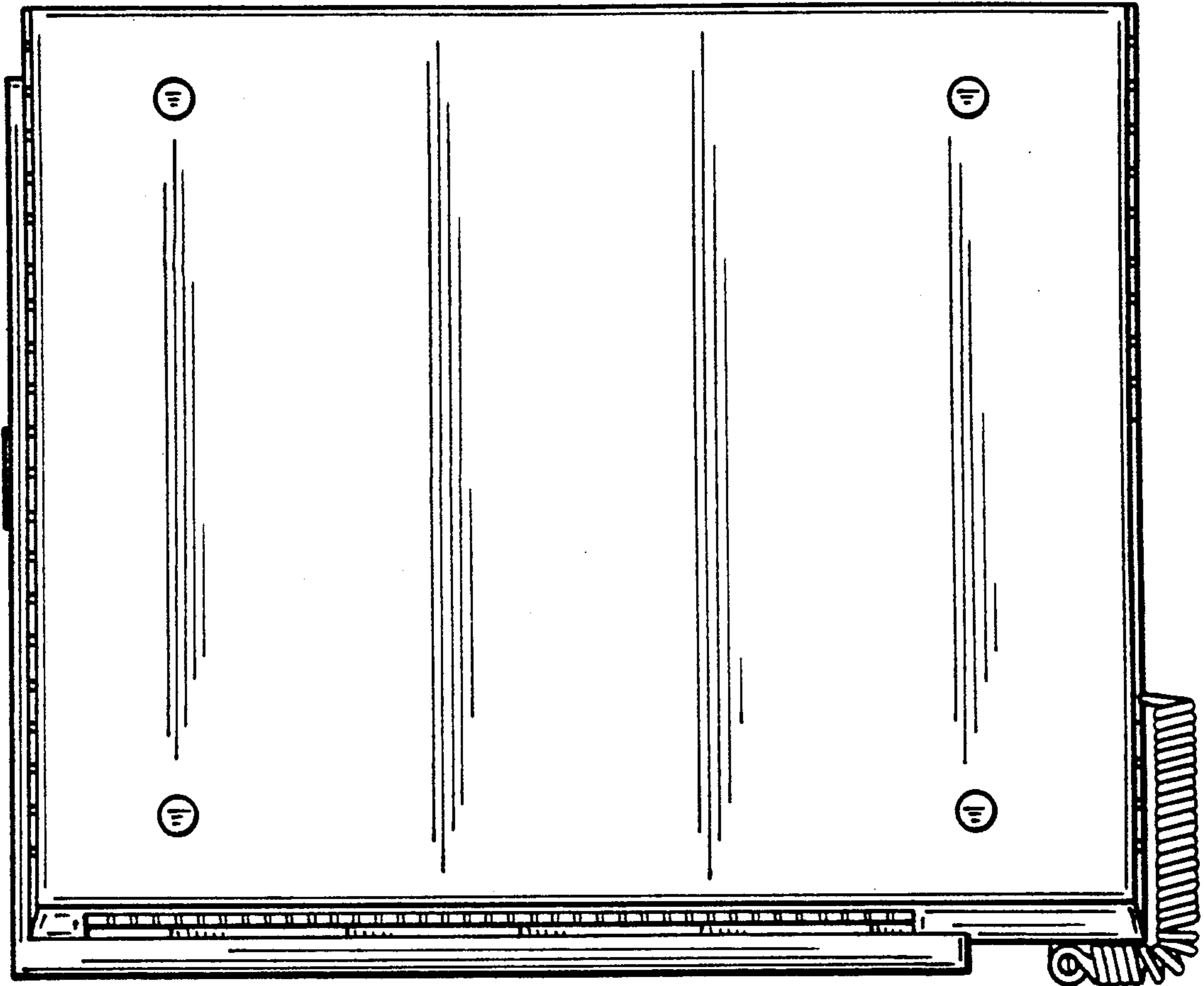
**FIG\_1**



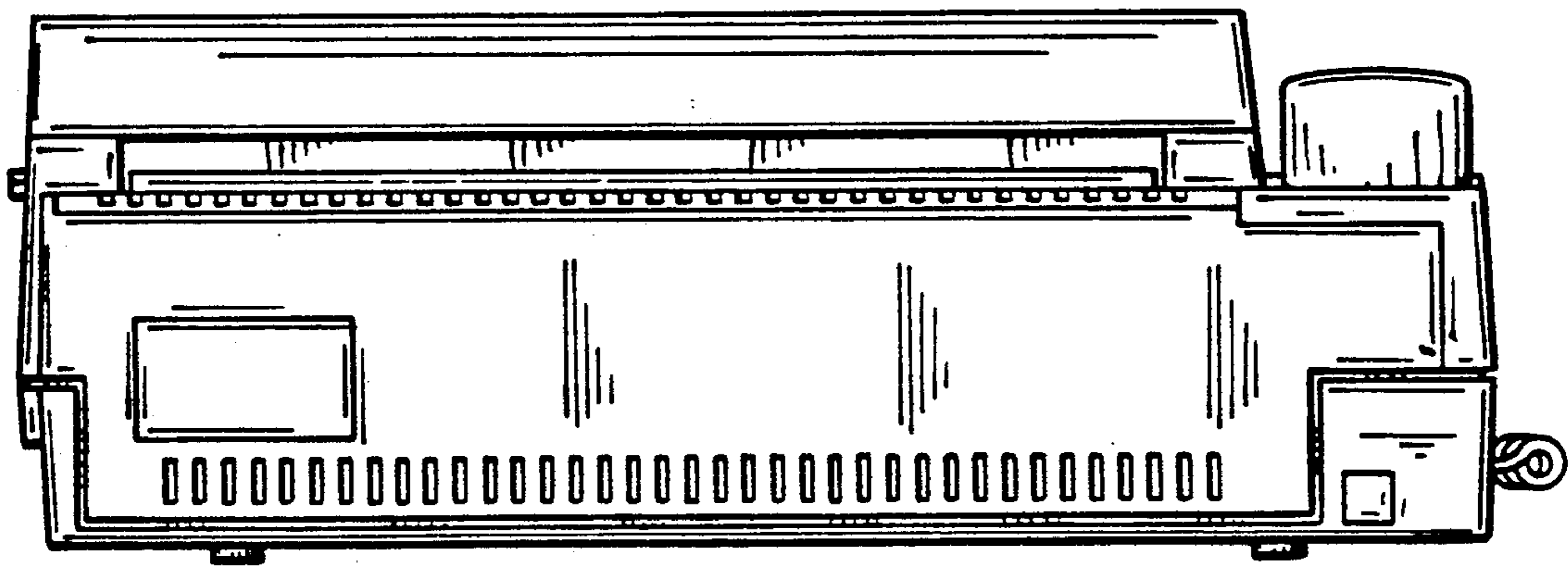
FIG\_2



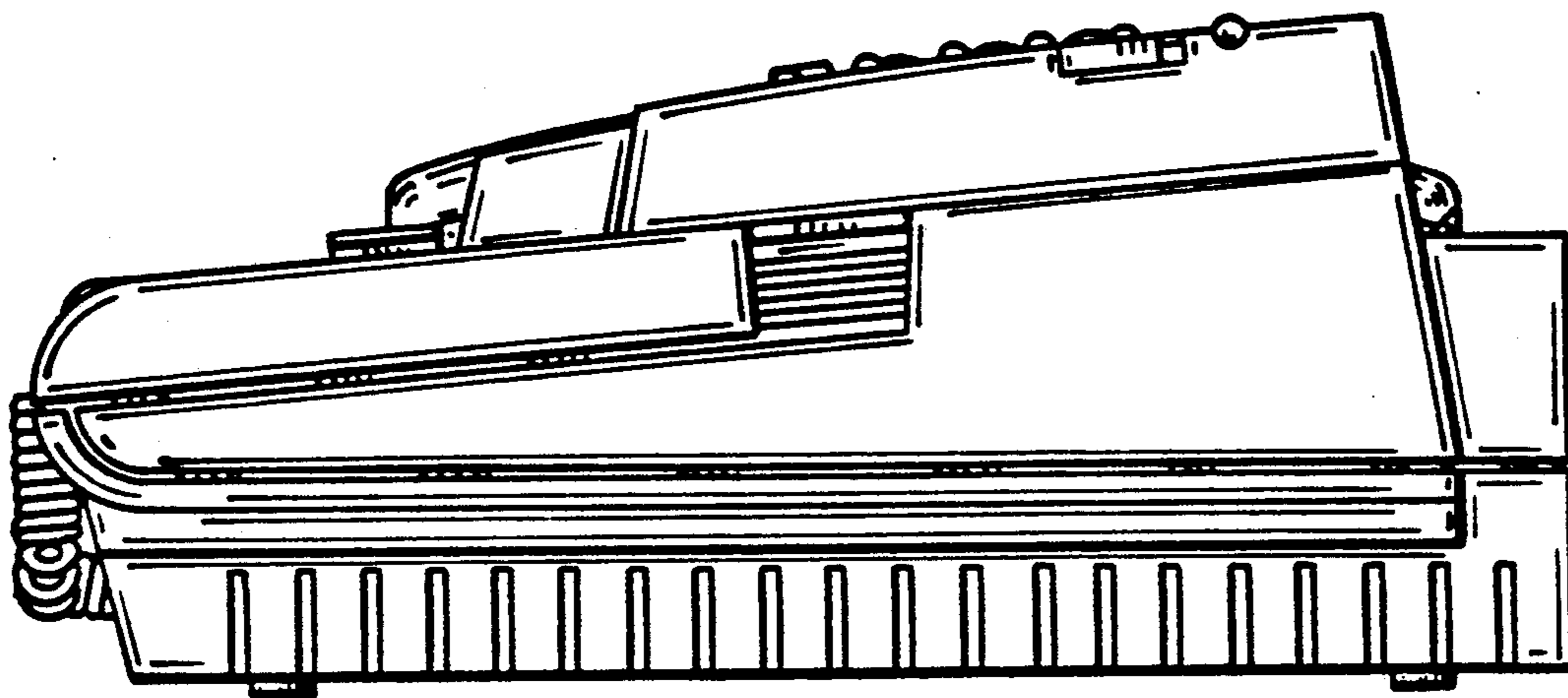
FIG\_4



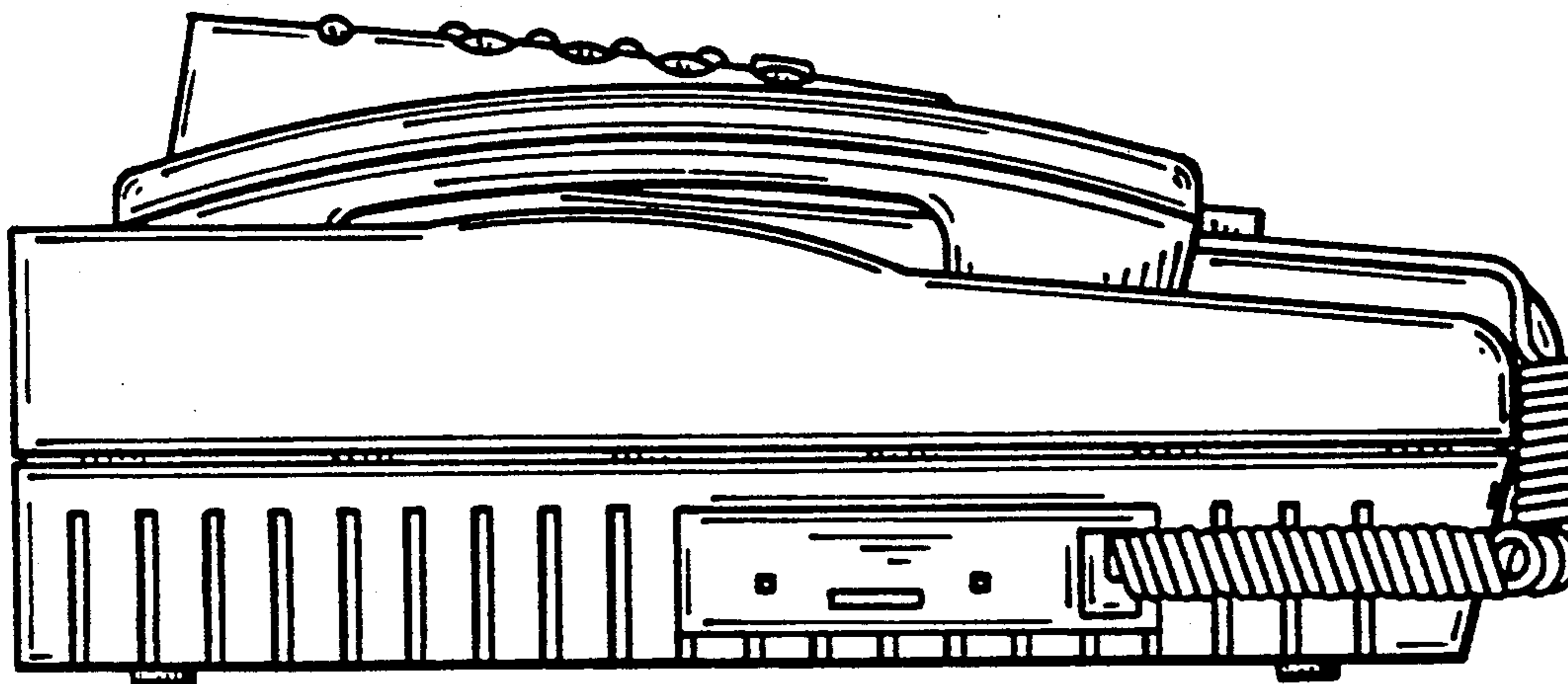
*FIG\_3*



*FIG\_5*



*FIG\_6*



*FIG\_7*