



US00D322962S

United States Patent [19]

[11] Patent Number: **Des. 322,962**

Colbert et al.

[45] Date of Patent: **** Jan. 7, 1992**

[54] **COMBINED INTEGRATED VOICE DATA
TERMINAL AND STANDALONE
KEYBOARD**

[75] Inventors: **Raymond O. Colbert, Naperville;
James E. Oneby, Northlake; Eugene
K. Sokolowski, Chicago, all of Ill.**

[73] Assignee: **AT&T Bell Laboratories, Murray
Hill, N.J.**

[**] Term: **14 Years**

[21] Appl. No.: **409,567**

[22] Filed: **Sep. 19, 1989**

[52] U.S. Cl. **D14/101; D14/144**

[58] Field of Search **D14/100, 101, 106, 113,
D14/115, 144, 151, 241, 252; 375/5; 379/67, 74,
84, 88, 90, 98, 100, 213, 242; 381/36, 43, 52;
364/927.2, 927.62, 935, 940**

[56] **References Cited**

U.S. PATENT DOCUMENTS

D. 235,654	7/1975	Crabbe et al.	D14/106
D. 273,584	4/1984	McGarvey et al.	D14/106
D. 275,857	10/1984	Moraine	D14/101
D. 276,232	11/1984	Dix et al.	D14/106
D. 289,762	5/1987	Alterio et al.	D14/101
D. 299,030	12/1988	Menn	D14/101
4,864,601	9/1989	Berry	D14/144 X

OTHER PUBLICATIONS

Front and back pages of AT&T Personal Terminal 510A brochure, 1985.

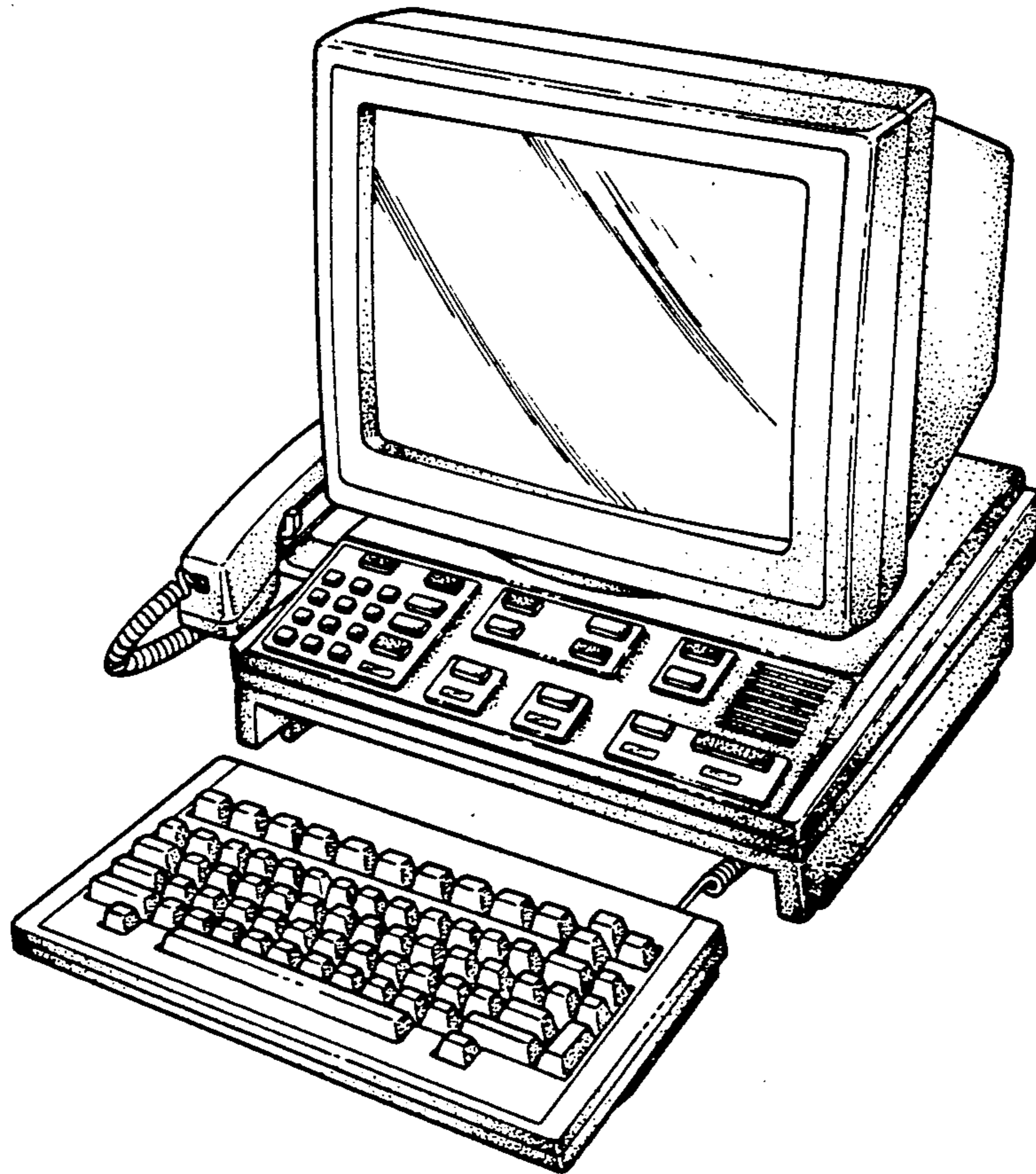
Primary Examiner—Wallace R. Burke
Assistant Examiner—Freda S. Nunn
Attorney, Agent, or Firm—D. A. Marshall

[57] **CLAIM**

The ornamental design for a combined integrated voice data terminal and standalone keyboard, as shown and described.

DESCRIPTION

FIG. 1 is a top front and right side perspective view of a combined integrated voice data terminal and standalone keyboard showing our new design;
FIG. 2 is a top plan view thereof on a reduced scale showing a portion of the phone cord removed for ease of illustration;
FIG. 3 is a left side elevational view thereof on a reduced scale;
FIG. 4 is a right side elevational view thereof on a reduced scale;
FIG. 5 is a rear elevational view thereof on a reduced scale; and
FIG. 6 is a top front right side perspective view thereof showing the keyboard removed and replaced in an operative position.



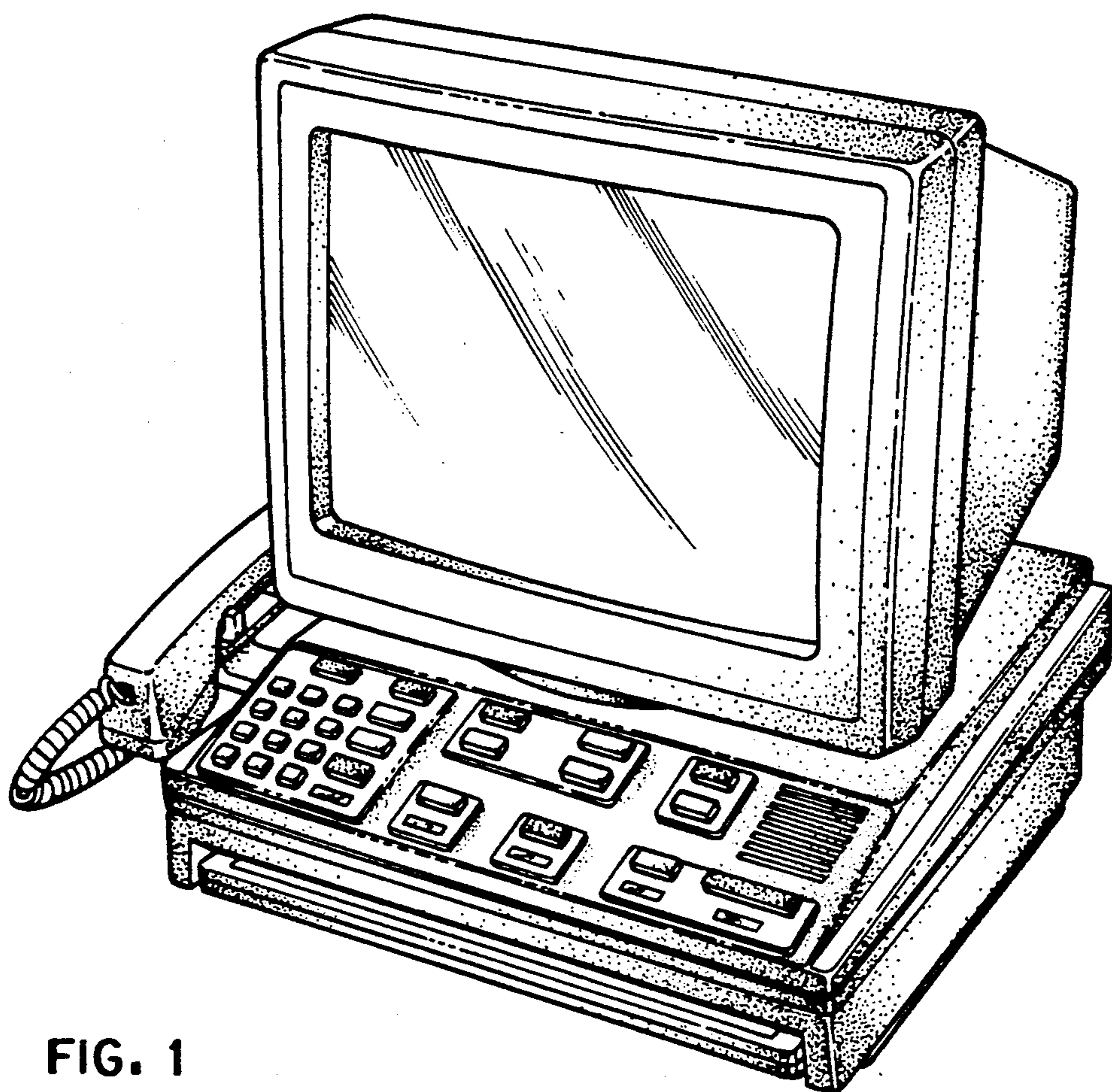
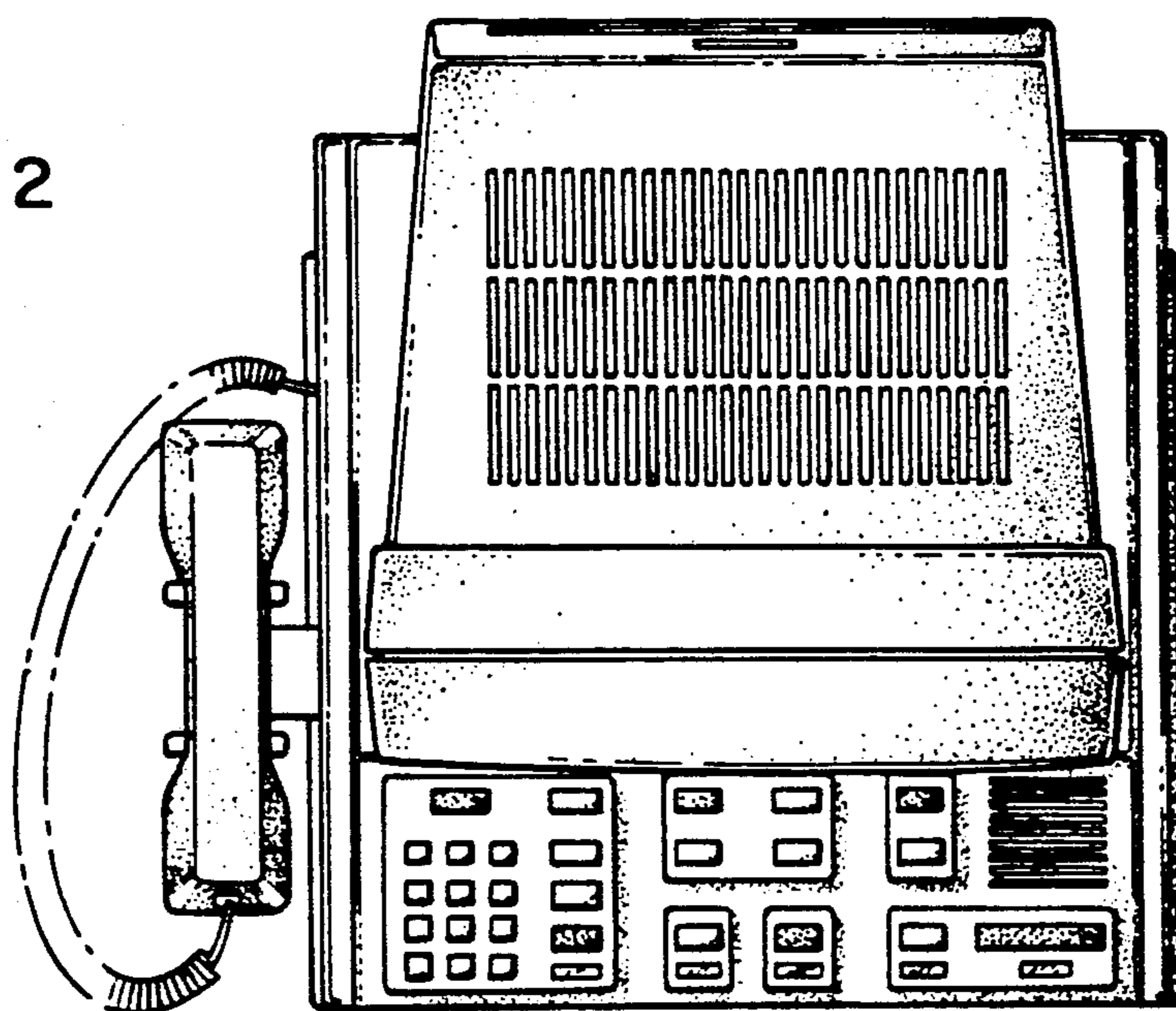


FIG. 1

FIG. 2



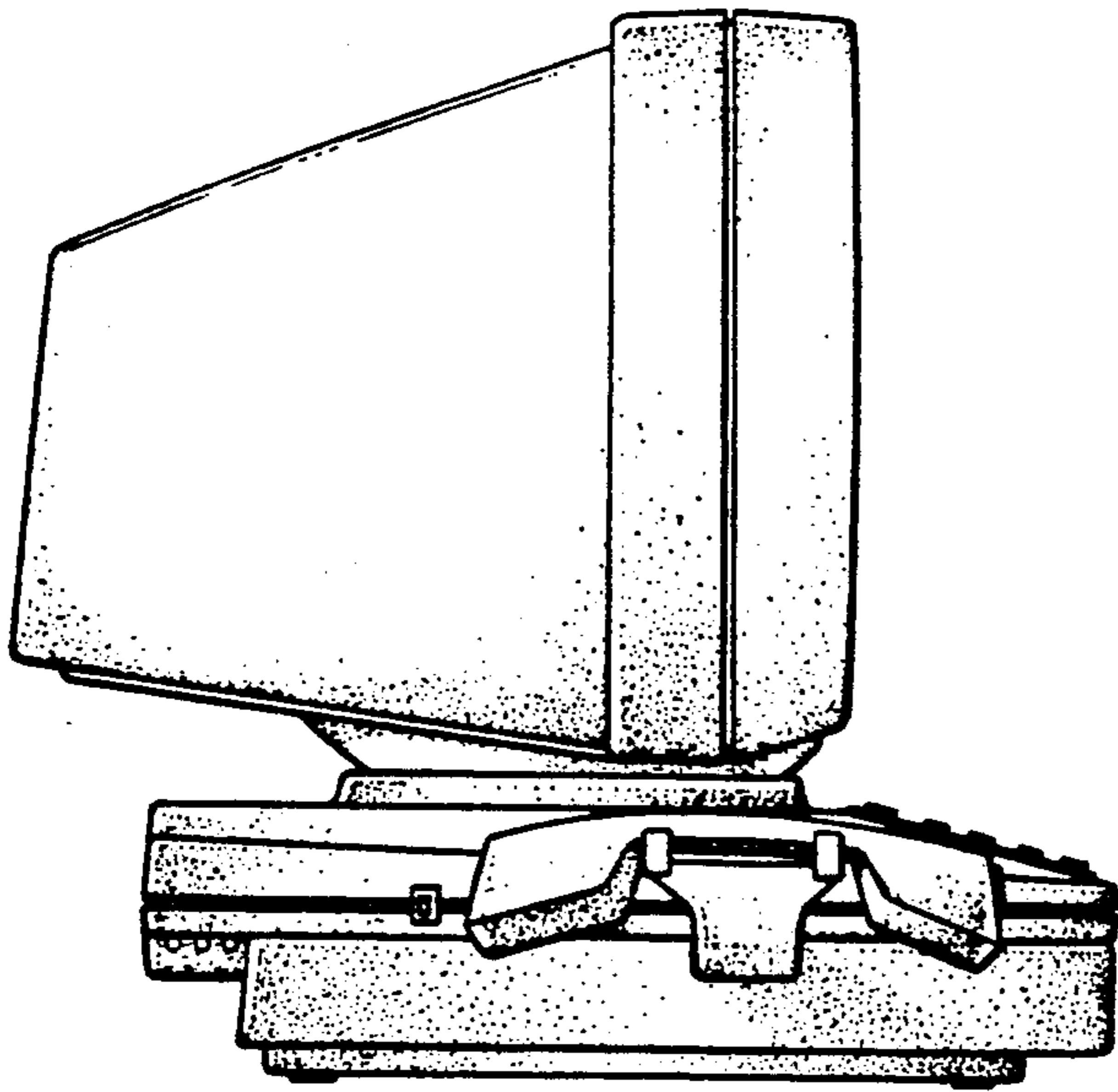


FIG. 3

FIG. 4

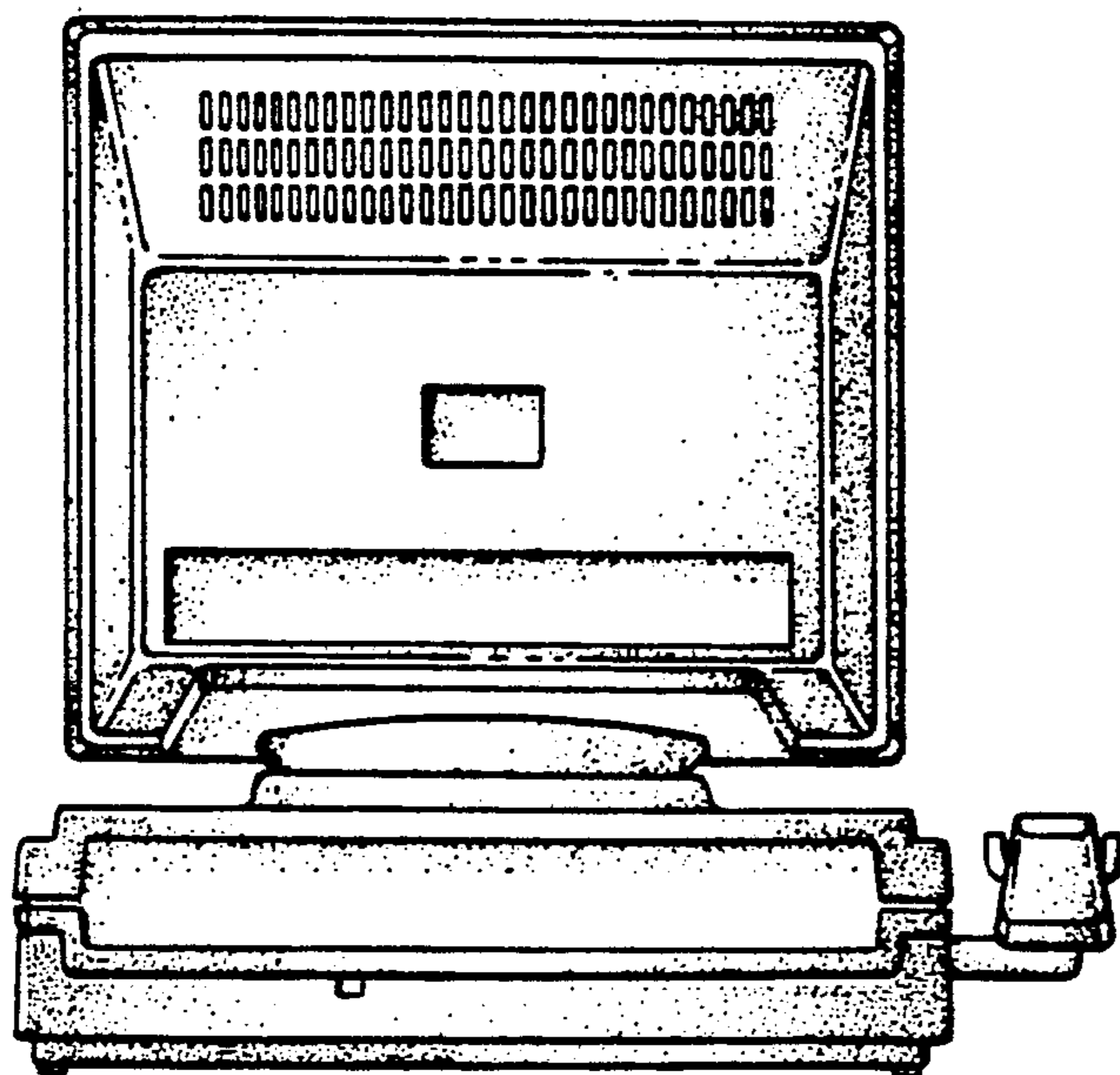
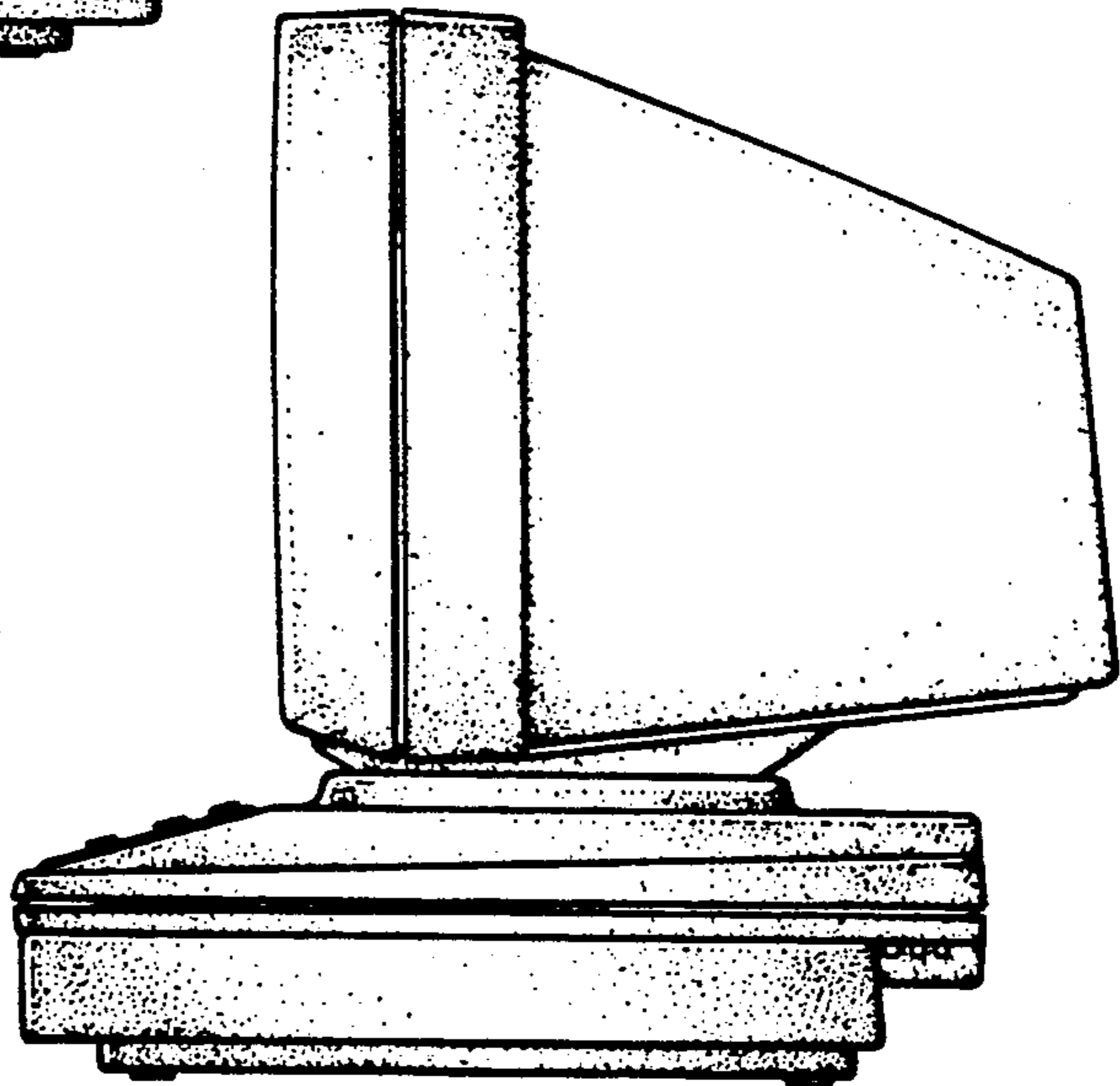


FIG. 5

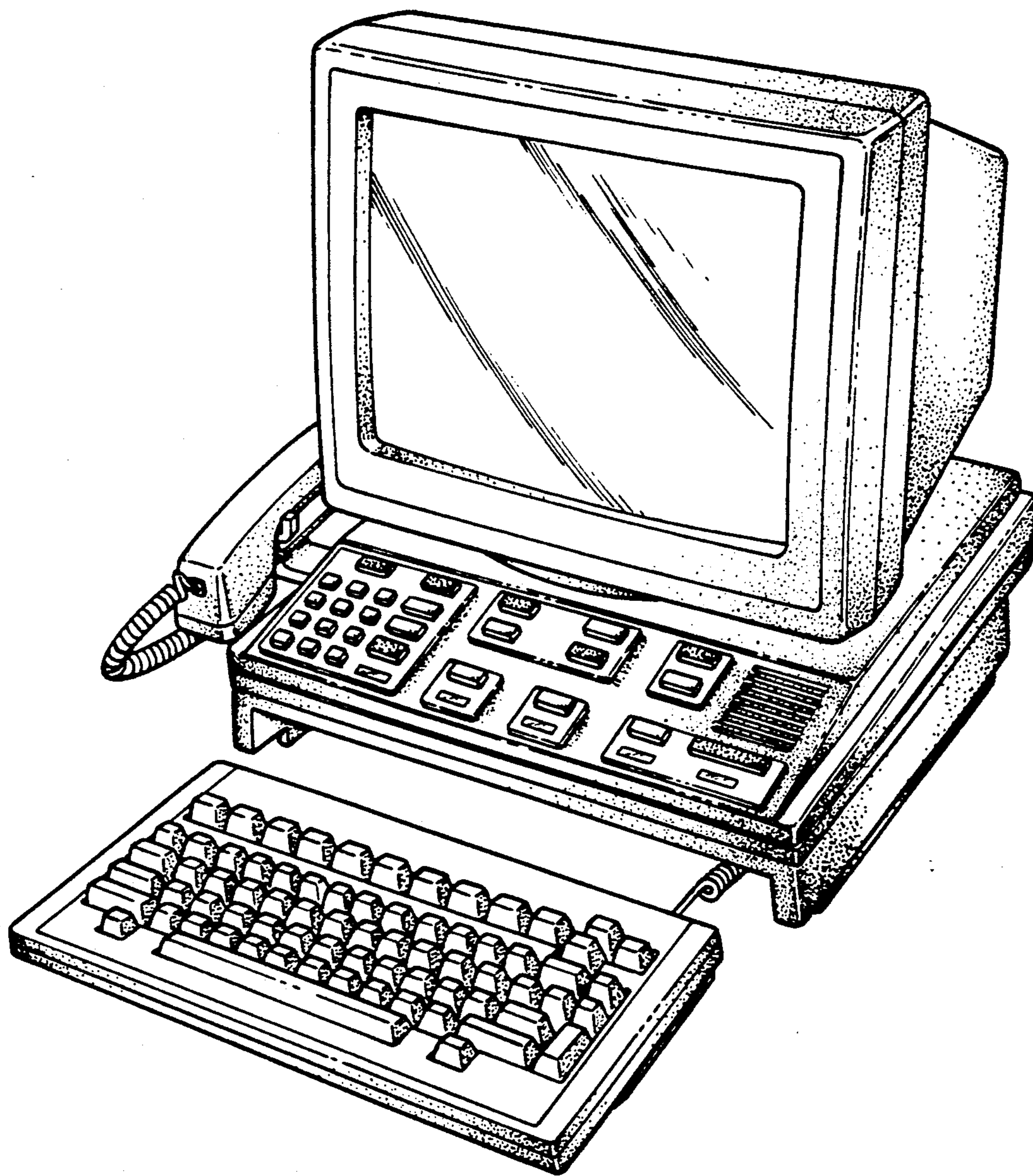


FIG. 6