



US00D322960S

United States Patent [19]

[11] Patent Number: **Des. 322,960**

Stack et al.

[45] Date of Patent: **** Jan. 7, 1992**

[54] **PANEL MOUNT HIGH AMP CIRCUIT BREAKER**

[75] Inventors: **Thomas J. Stack, Chicago; Jacek M. Korczynski, Niles, both of Ill.**

[73] Assignee: **Cooper Industries, Inc., Houston, Tex.**

[**] Term: **14 Years**

[21] Appl. No.: **414,063**

[22] Filed: **Sep. 28, 1989**

[52] U.S. Cl. **D13/160; 213/169**

[58] Field of Search **D13/158, 160, 169; 335/8, 9, 10, 17, 44, 132, 202; 200/293, 294, 303, 308, 309**

[56] **References Cited**

U.S. PATENT DOCUMENTS

D. 284,567	7/1986	Cox et al.	D13/184 X
2,794,891	6/1957	Appleton	200/294 X
4,227,231	10/1980	Hansen et al.	361/194 X
4,293,835	10/1981	Davis et al.	335/131
4,382,242	5/1983	Colvin et al.	335/131 X
4,706,037	11/1987	Prouty et al.	335/131 X

OTHER PUBLICATIONS

Coupler Housings on p. 36 of CWY catalog 6/86.
Potting and Encapsulating Boxes on p. 389 of Allied Electronics catalog 1986.
RFI Filter Housing on p. 58 of Allied Electronics Catalog 1986.

2 Gang Double Toggle Cover of Carlon price sheet 2P1-45.

Primary Examiner—Susan J. Lucas
Assistant Examiner—J. Sincavage
Attorney, Agent, or Firm—Laff, Whitesel, Conte & Saret

[57] **CLAIM**

The ornamental design for a panel mount high AMP circuit breaker, as shown and described.

DESCRIPTION

FIG. 1 is a top, front and right side perspective view of a panel mount high AMP circuit breaker showing our new design with the manual reset lever in its tripped position;

FIG. 2 is a top plan view thereof;

FIG. 3 is a right side elevational view thereof;

FIG. 4 is a left side elevational view thereof;

FIG. 5 is a front elevational view thereof;

FIG. 6 is a rear elevational view thereof;

FIG. 7 is a bottom plan view thereof;

FIG. 8 is a top, front and right side perspective view of a panel mount high AMP circuit breaker showing a second embodiment of our new design having an auto-reset;

FIG. 9 is a top plan view thereof;

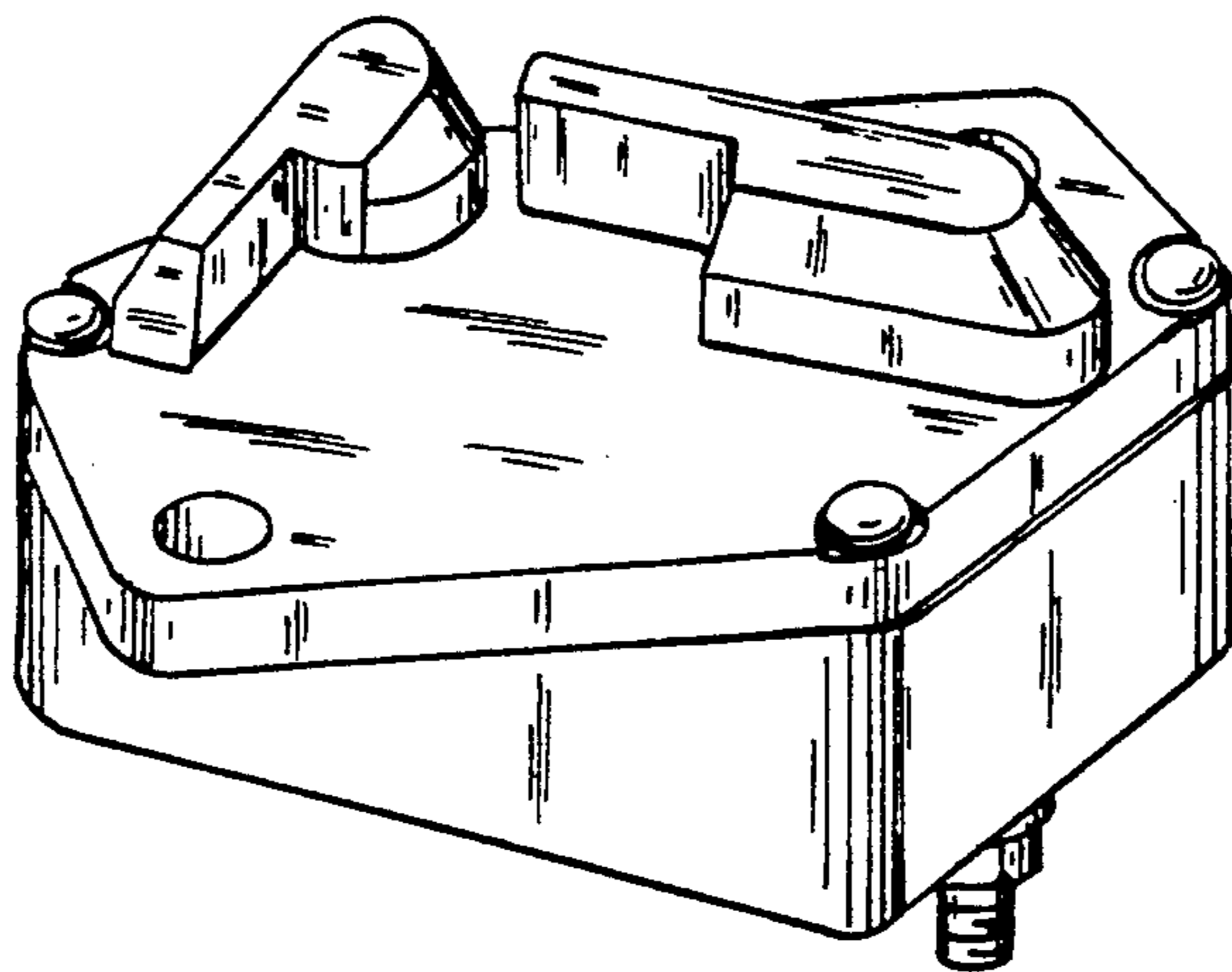
FIG. 10 is a right side elevational view thereof;

FIG. 11 is a left side elevational view thereof;

FIG. 12 is a front elevational view thereof;

FIG. 13 is a rear elevational view thereof;

FIG. 14 is a bottom plan view thereof.



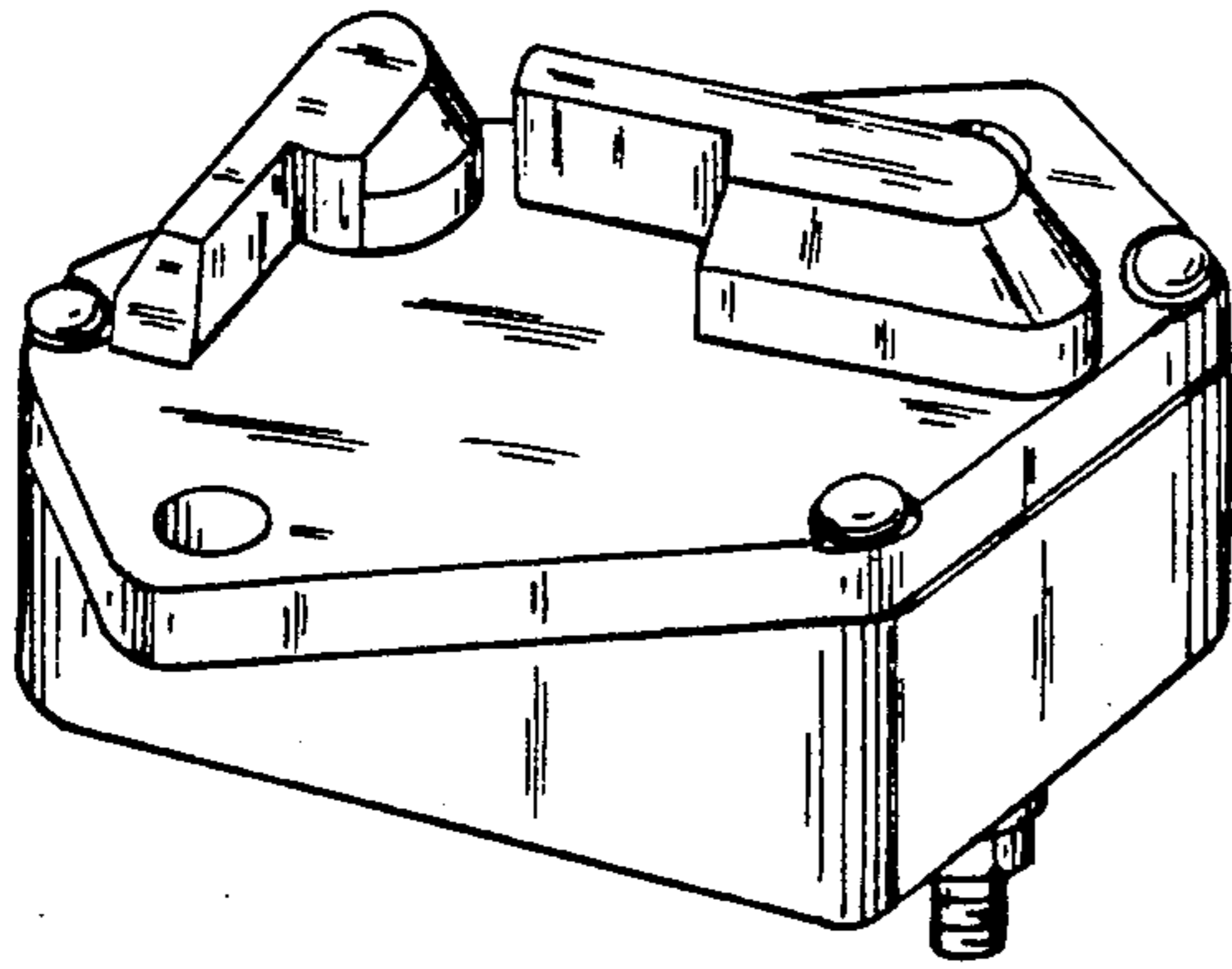


FIG. 1

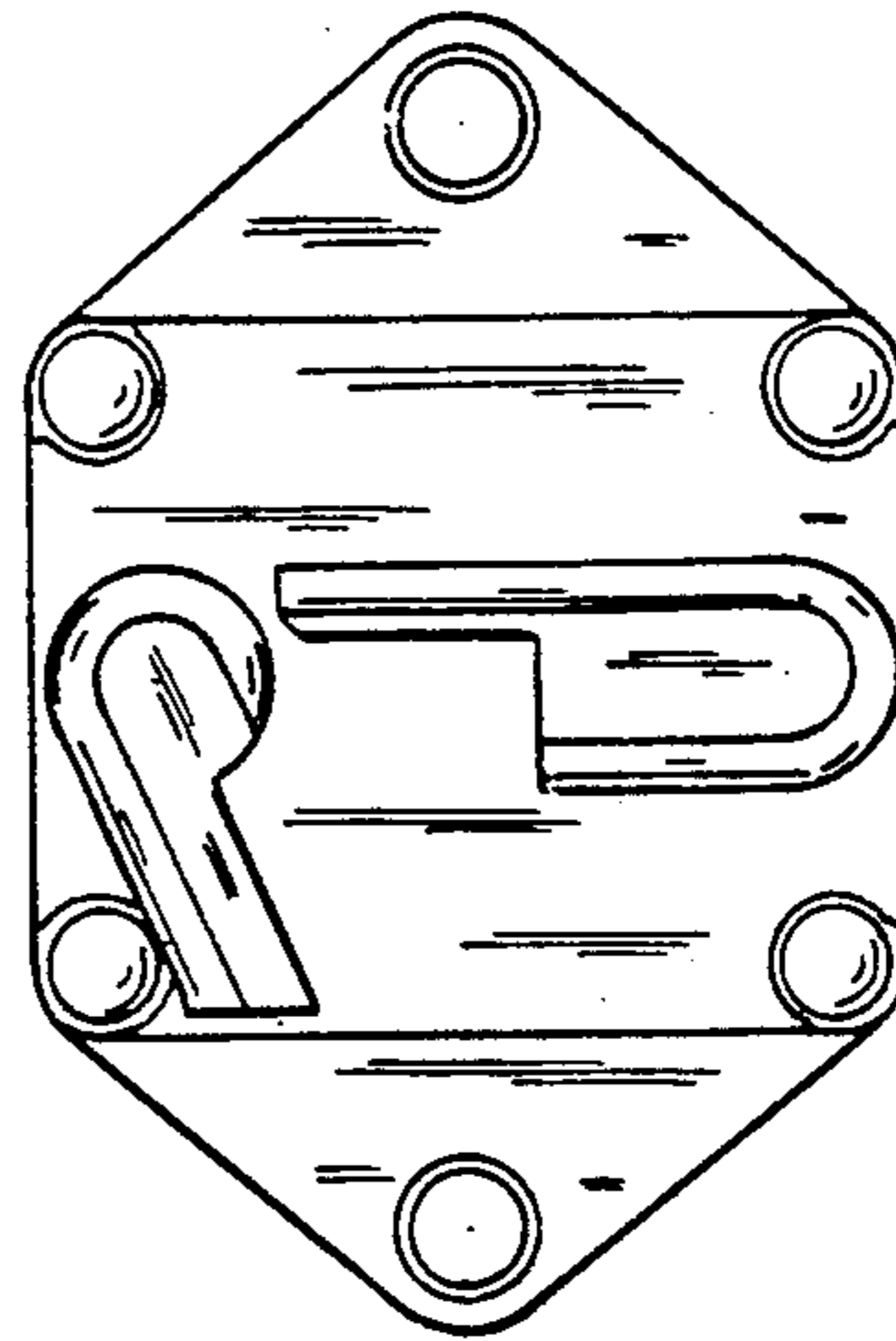


FIG. 2

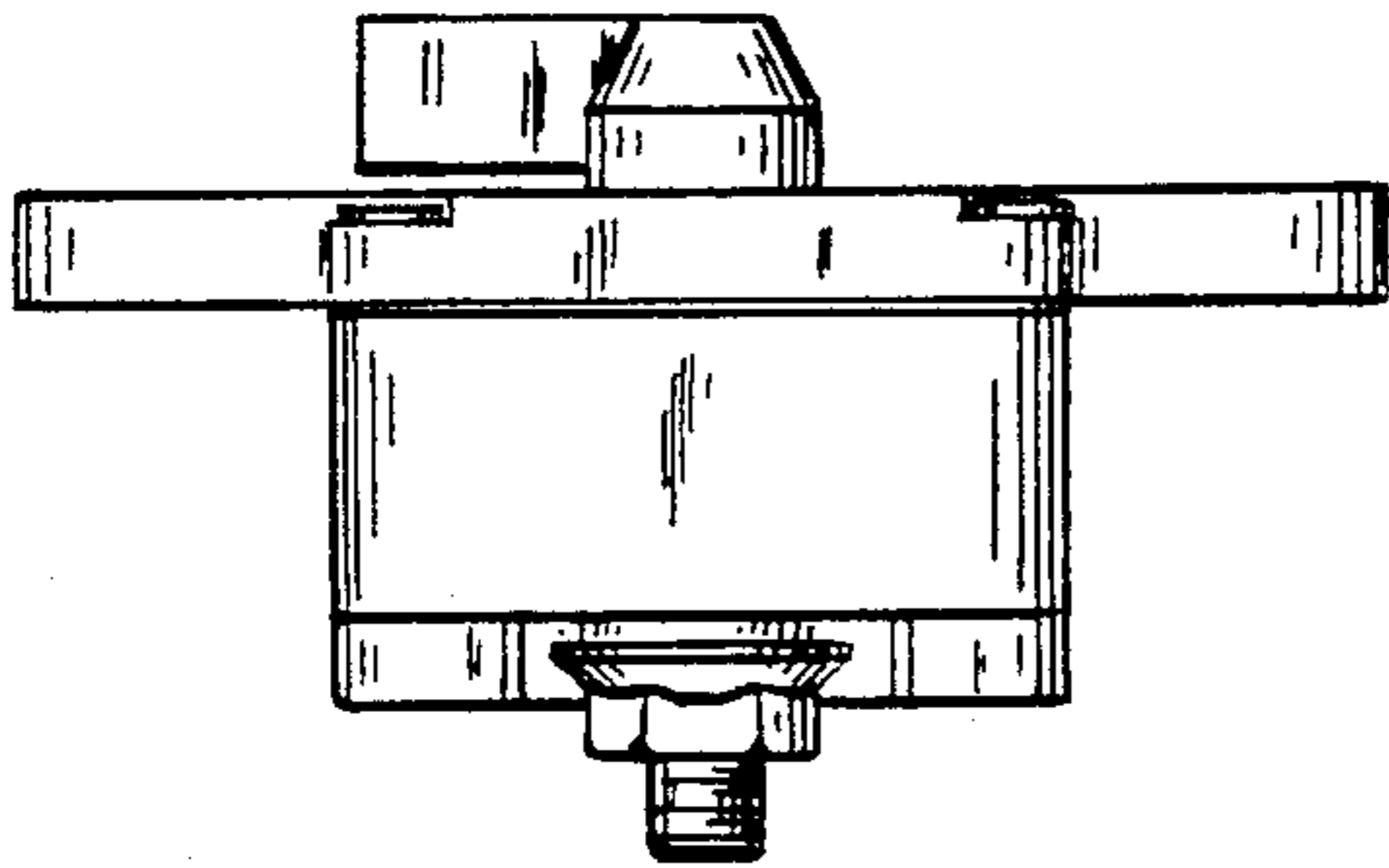


FIG. 3

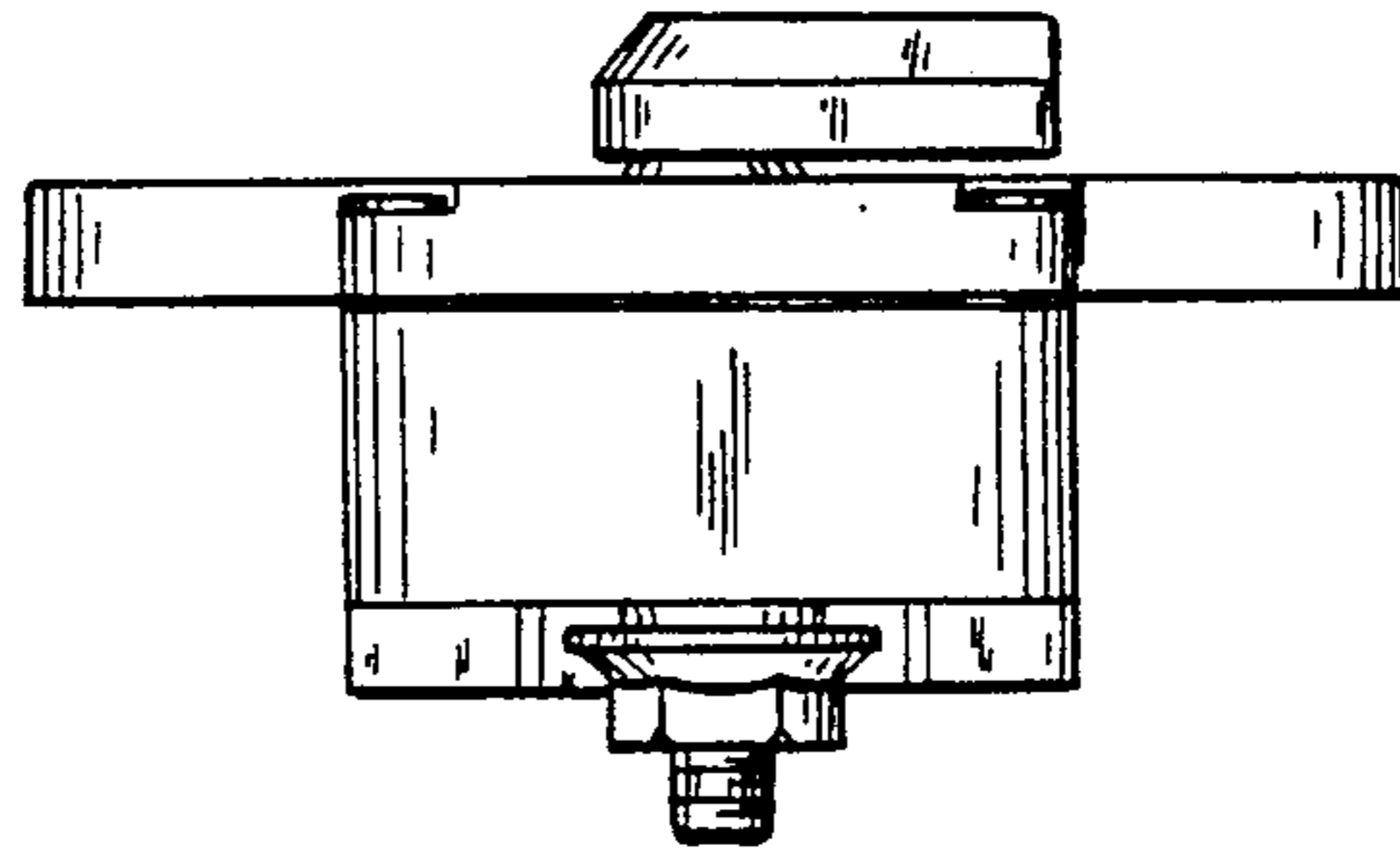


FIG. 4

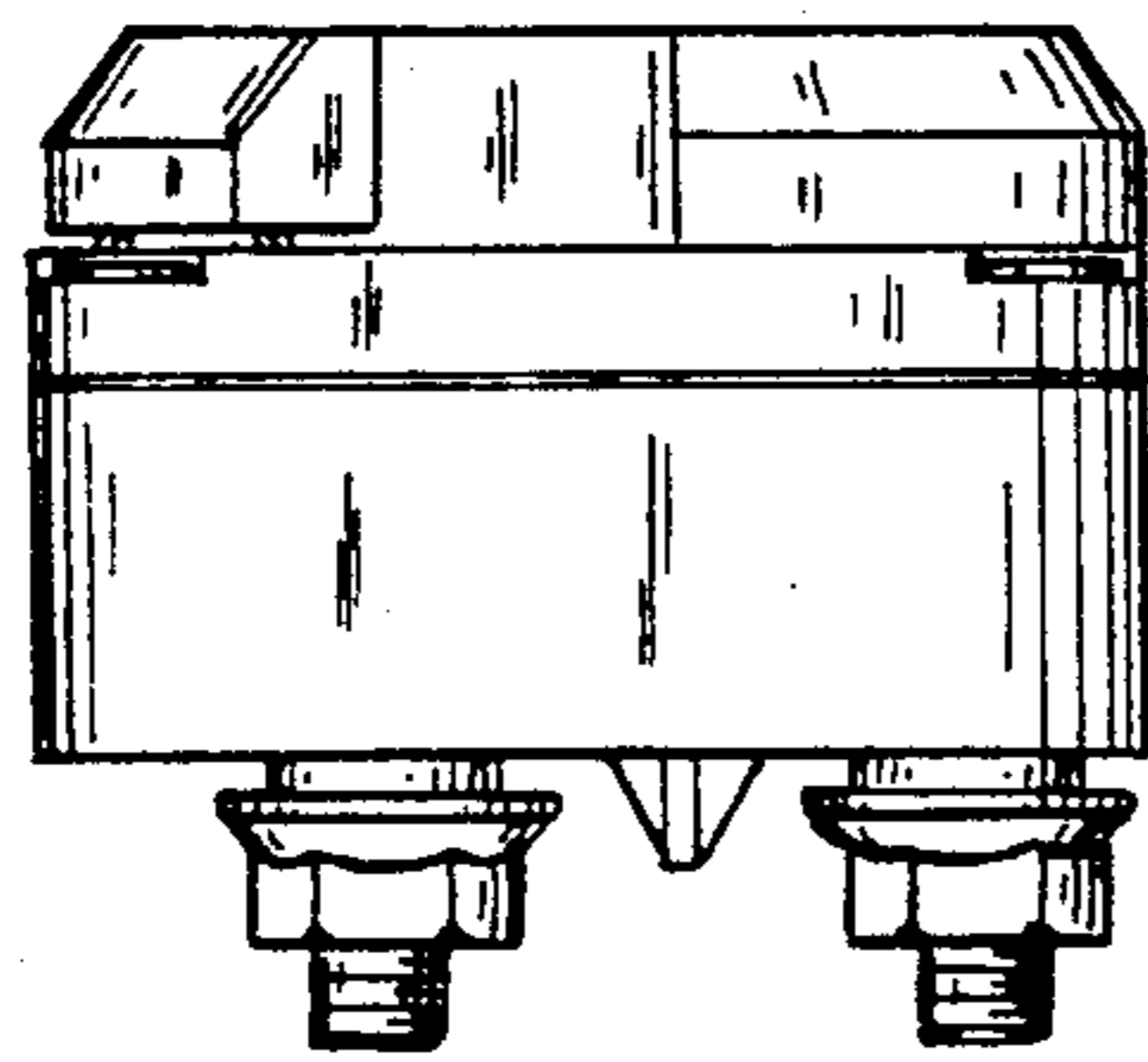


FIG. 5

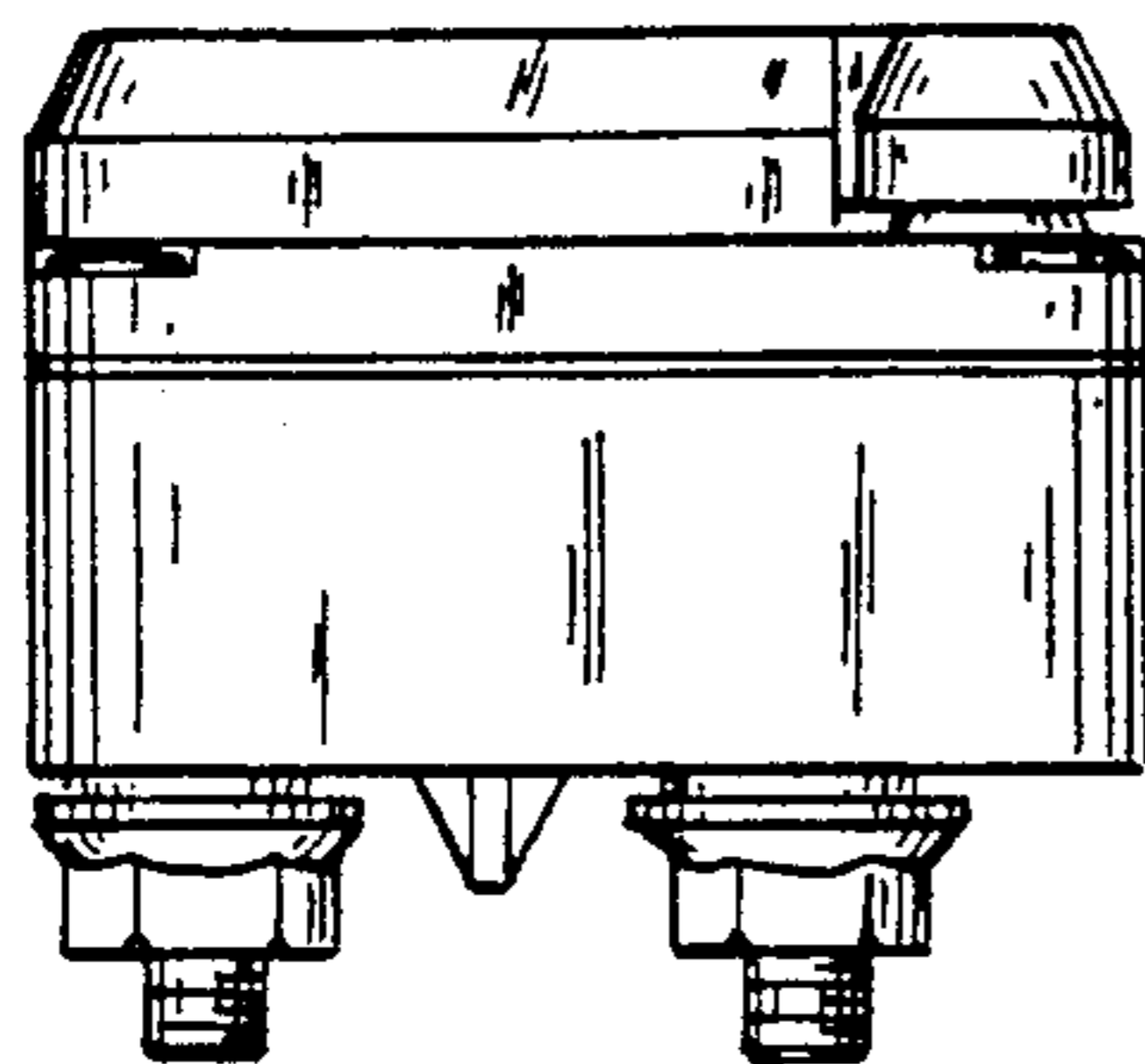


FIG. 6

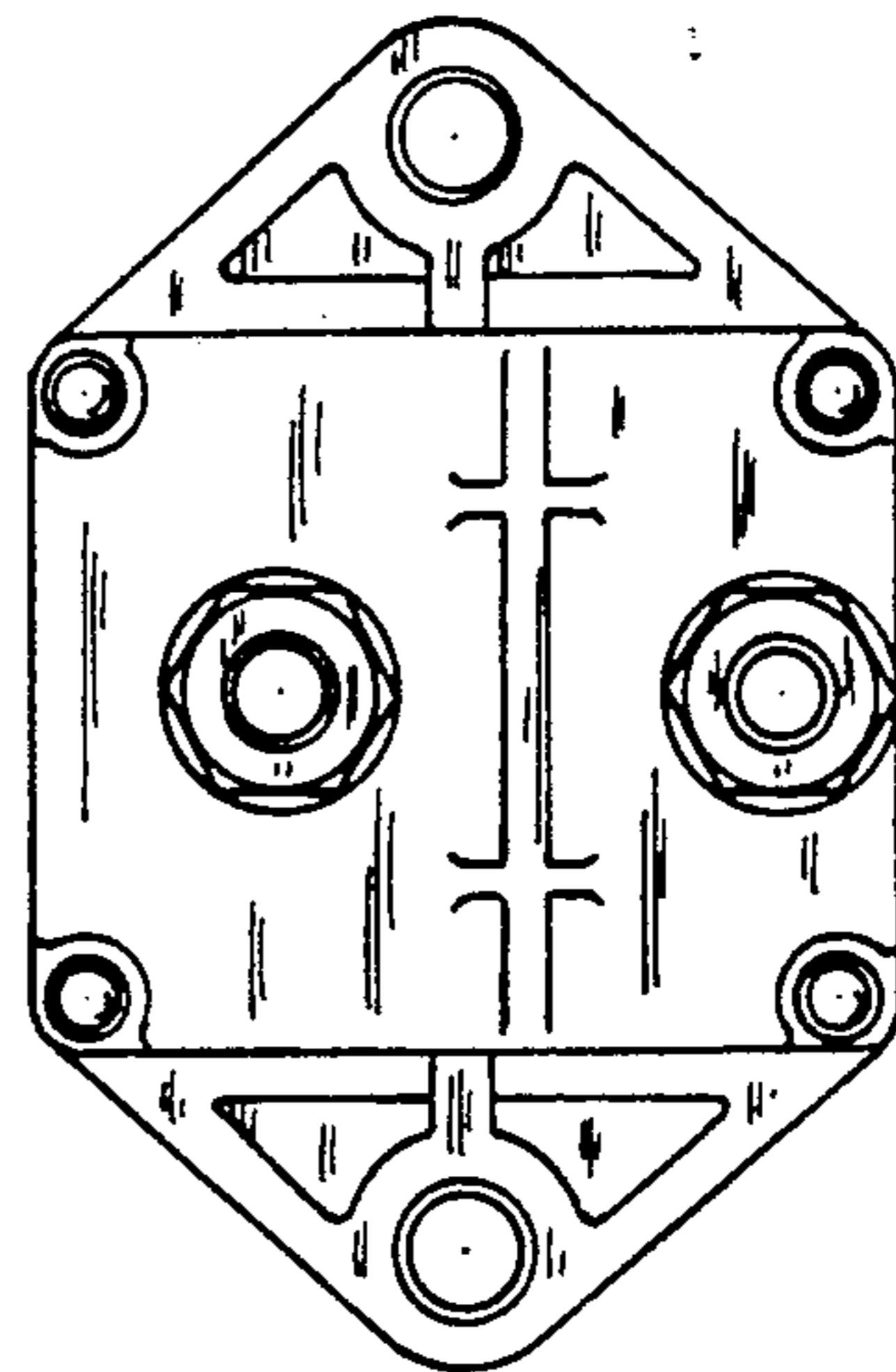


FIG. 7

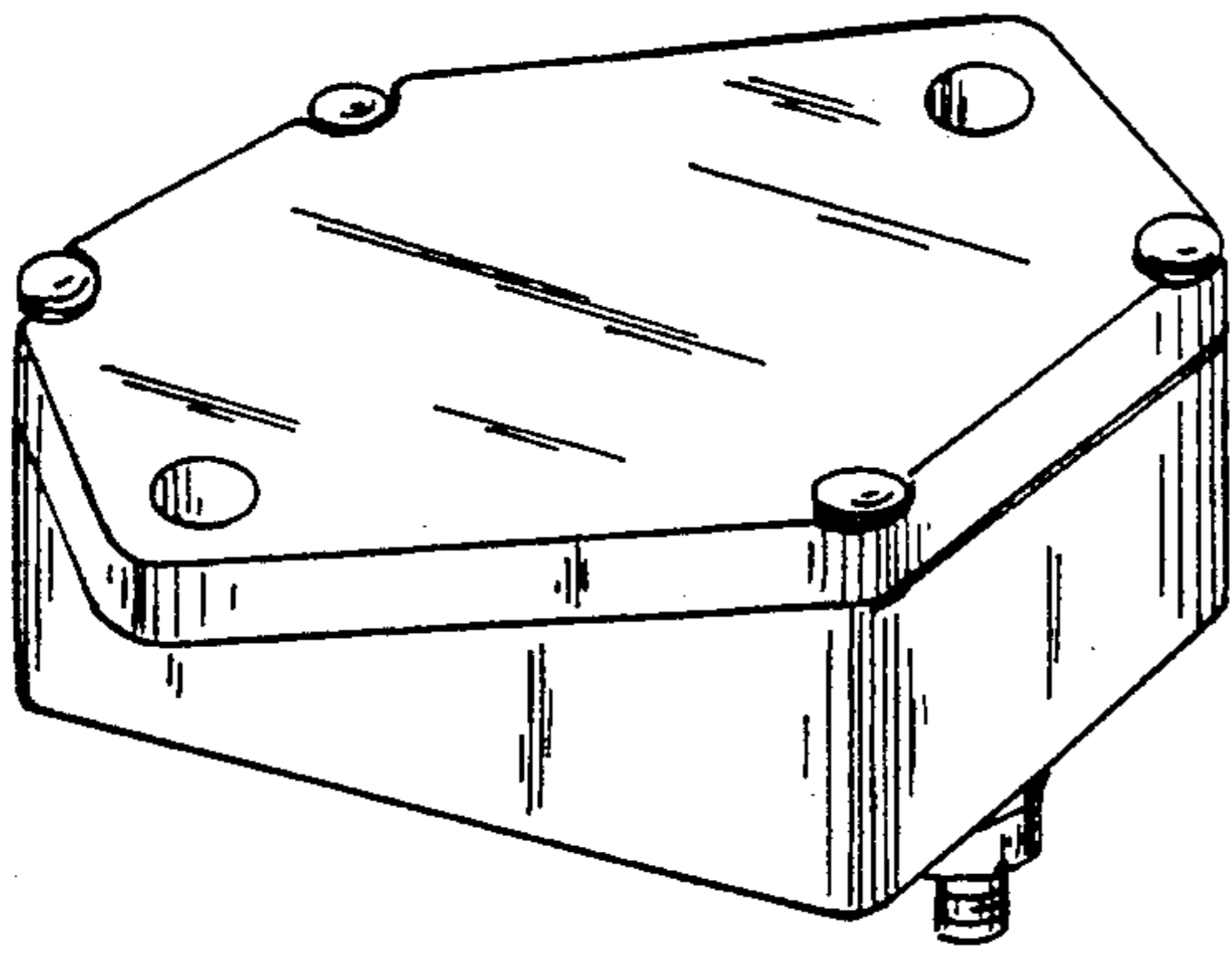


FIG. 8

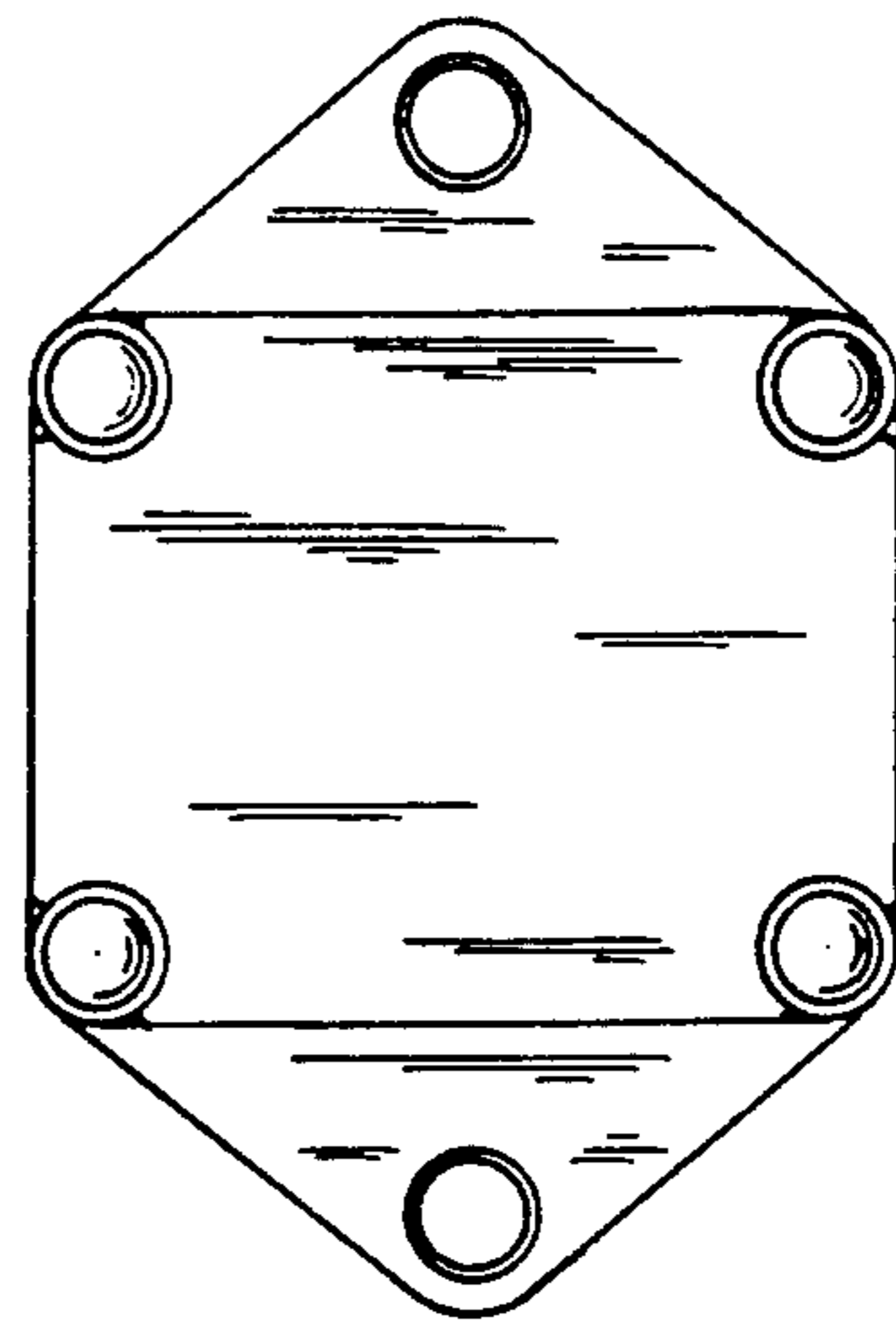


FIG. 9

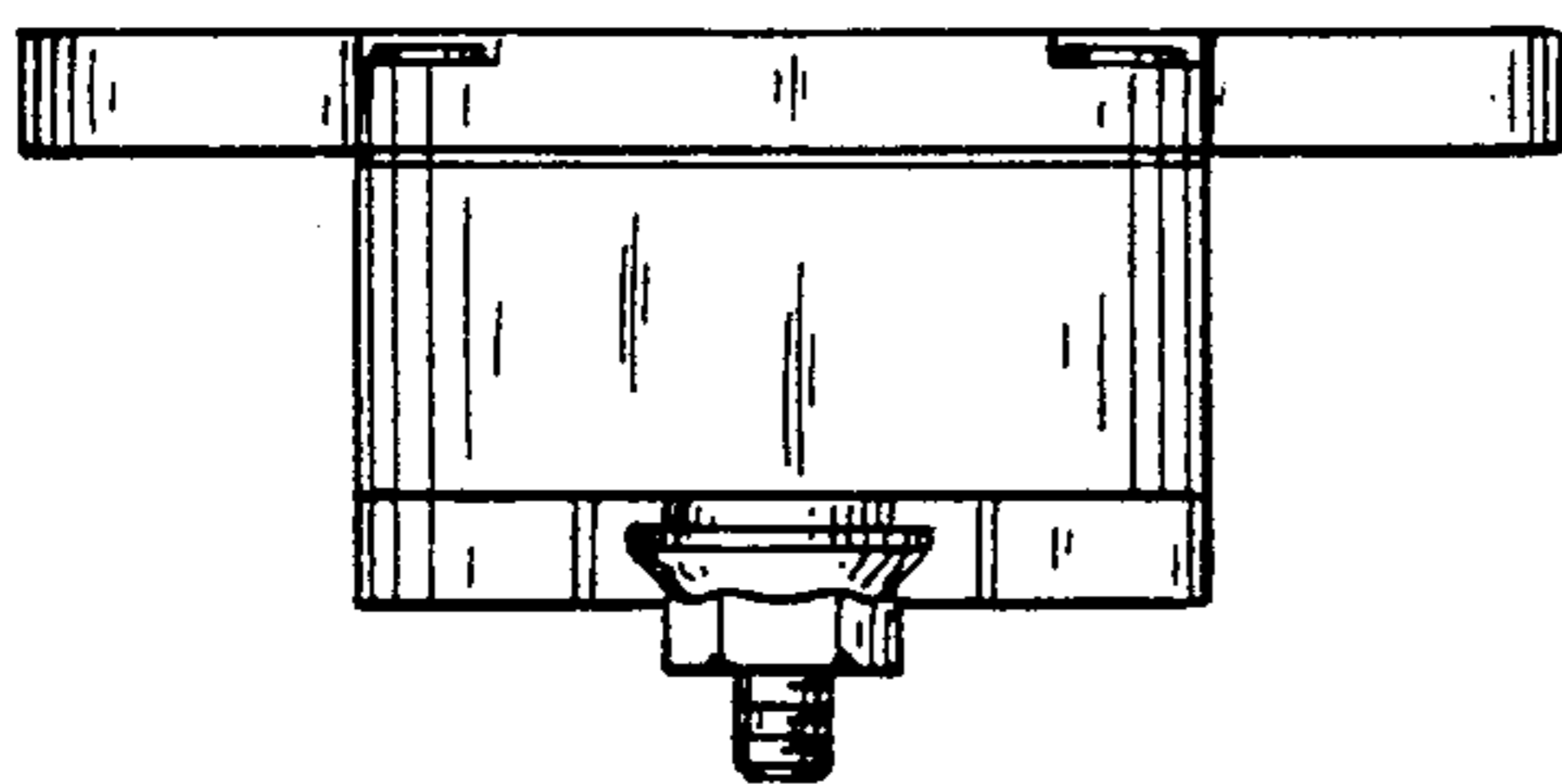


FIG. 10

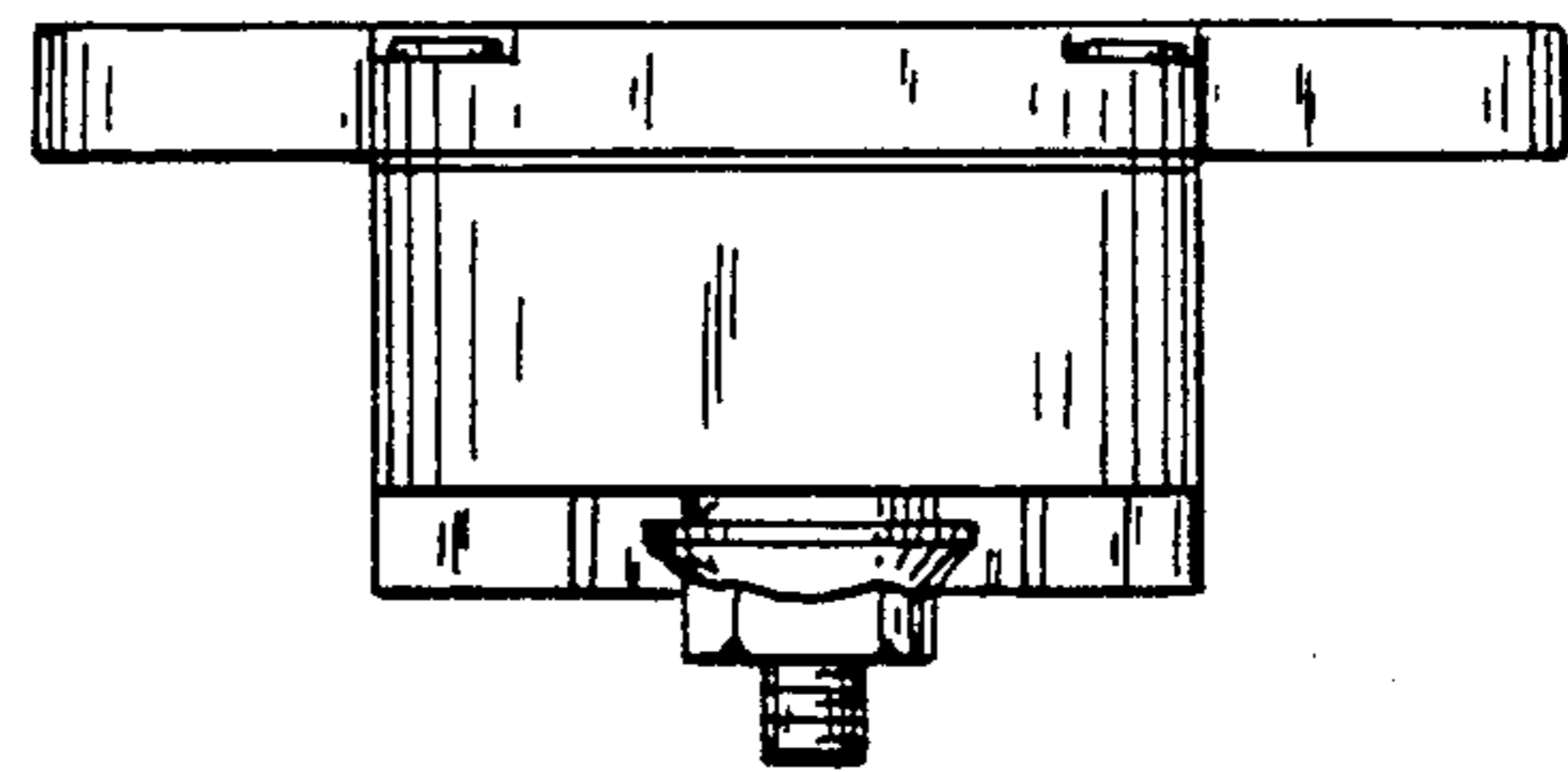


FIG. 11

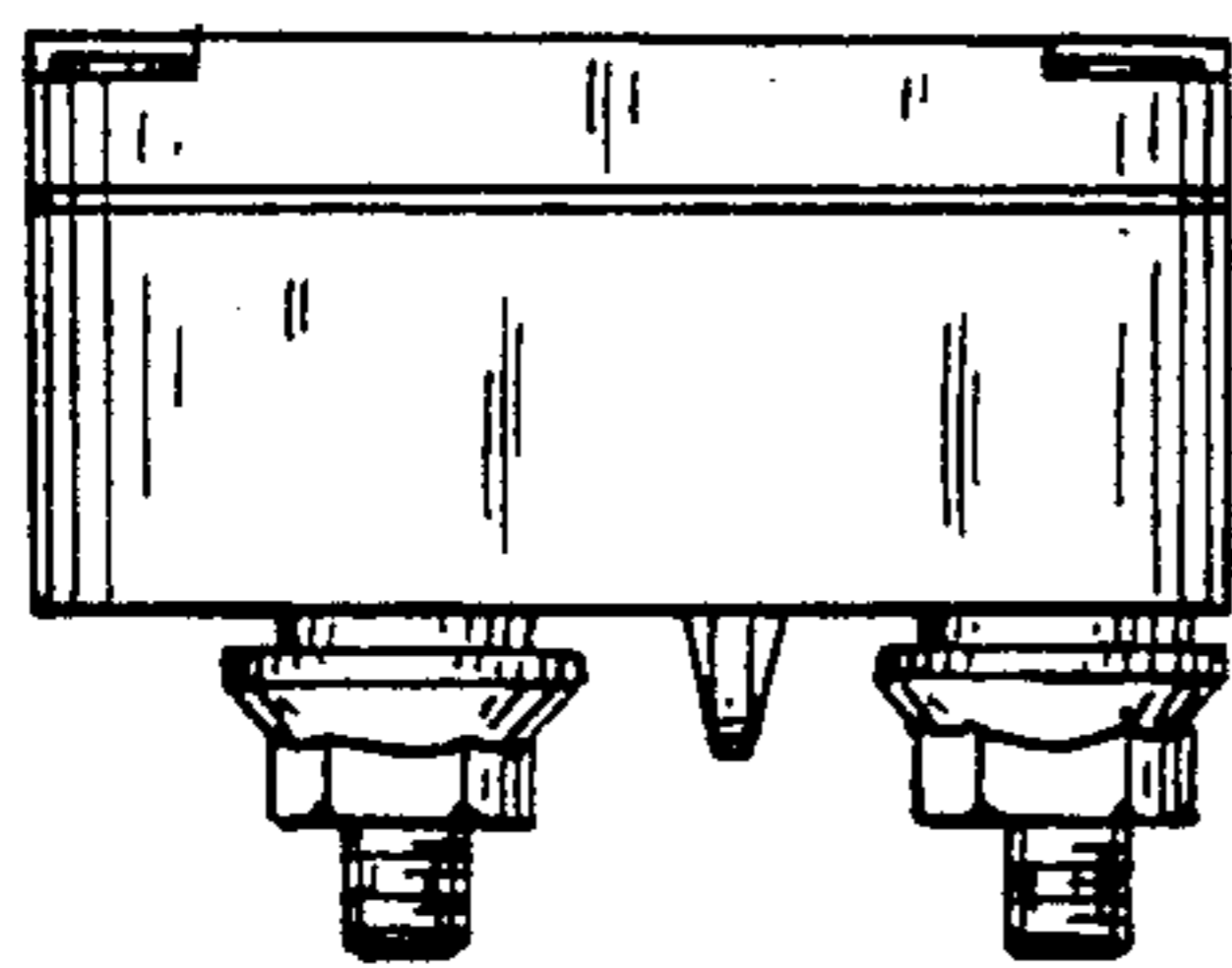


FIG. 12

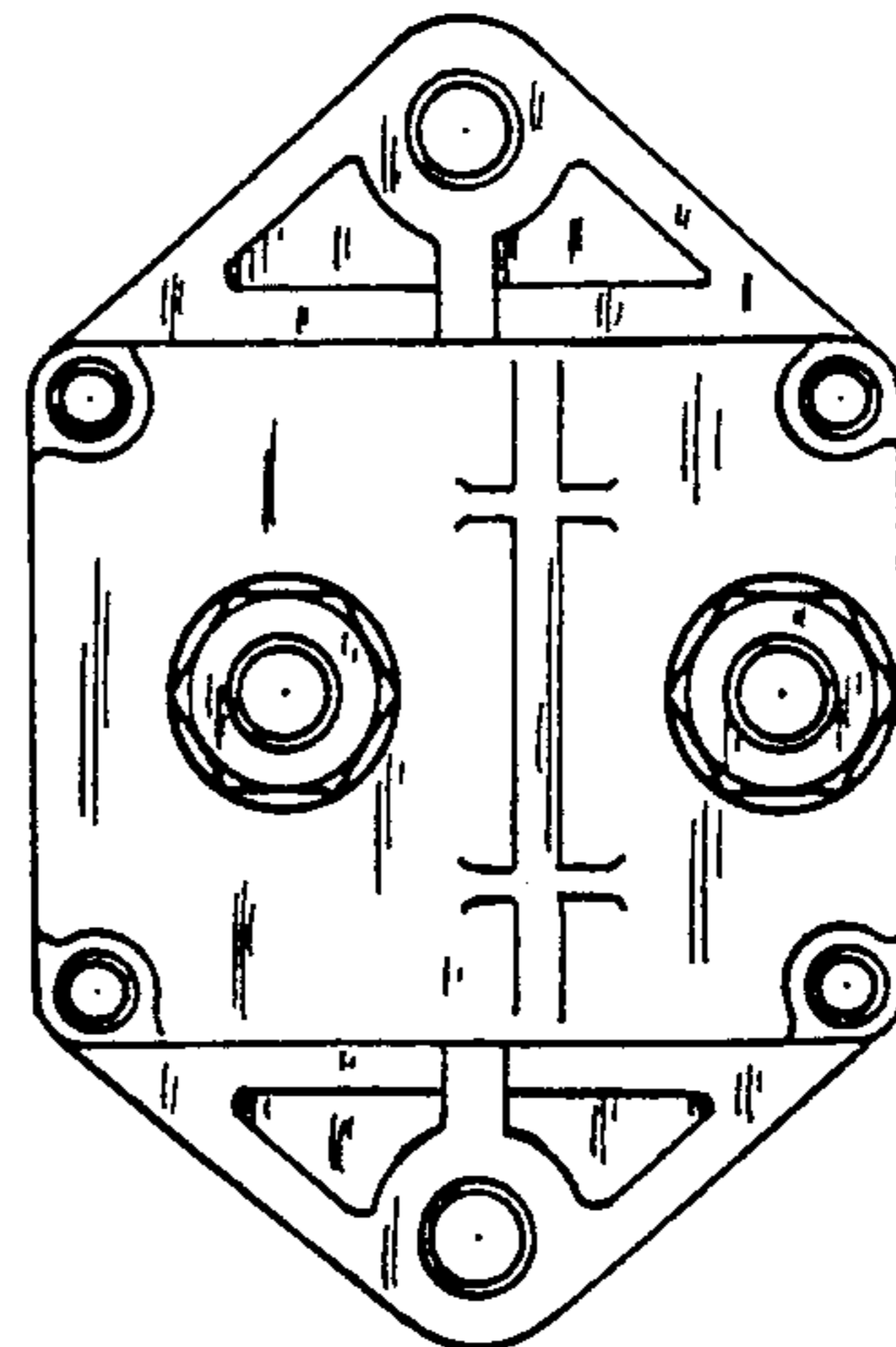


FIG. 14

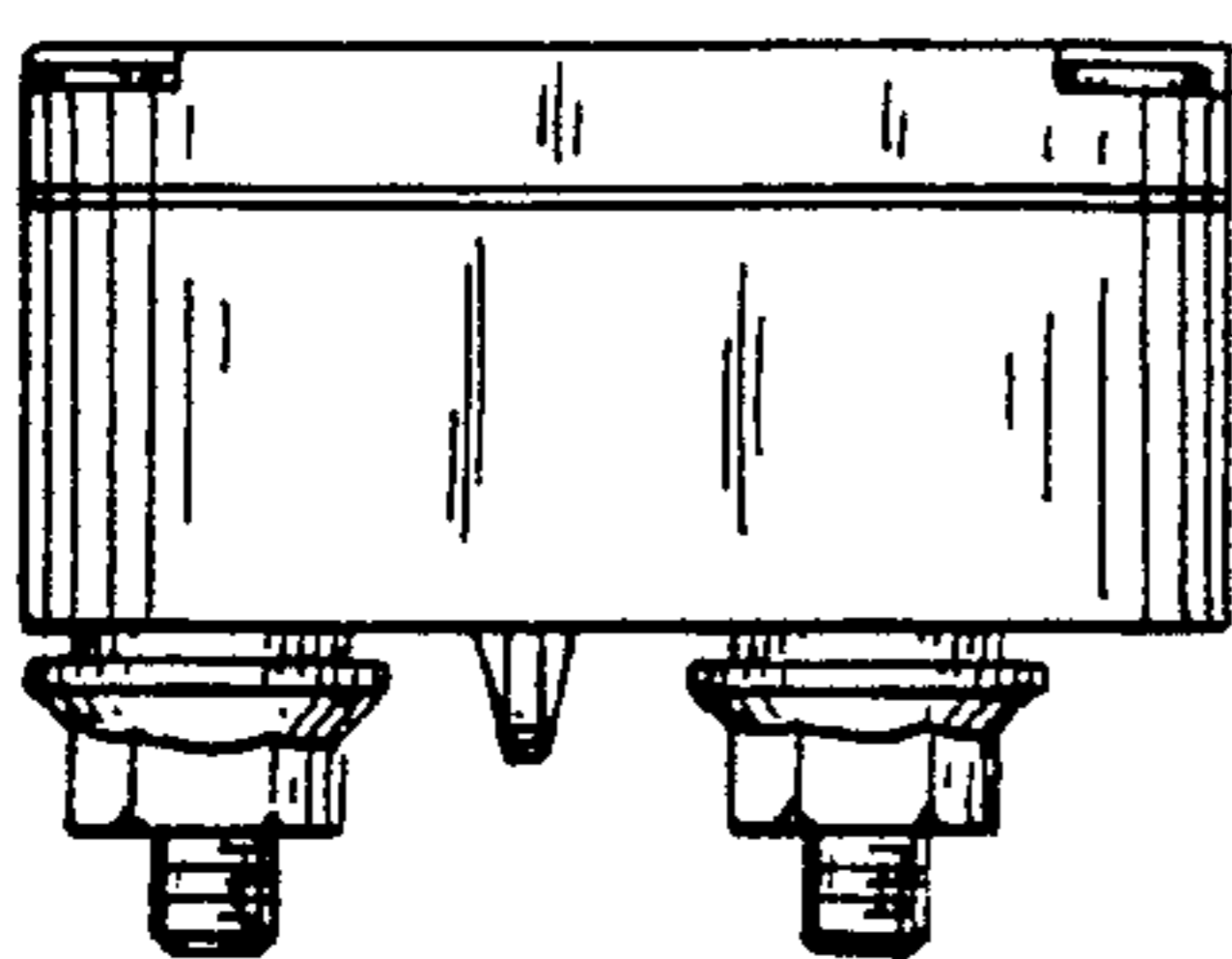


FIG. 13