



US00D322959S

# United States Patent [19]

Sazaki

[11] Patent Number: **Des. 322,959**

[45] Date of Patent: **\*\* Jan. 7, 1992**

[54] **JACK**

[75] Inventor: **Toshio Sazaki, Nabari, Japan**

[73] Assignee: **Hosiden Electronics Co., Ltd., Osaka, Japan**

[\*\*] Term: **14 Years**

[21] Appl. No.: **454,877**

[22] Filed: **Dec. 22, 1989**

4,315,664 2/1982 Hughes et al. .... 439/676 X  
 4,863,393 9/1989 Ward et al. .... 439/676 X  
 4,904,209 2/1990 Nelson ..... 439/638 X

*Primary Examiner*—Susan J. Lucas  
*Assistant Examiner*—M. H. Tung  
*Attorney, Agent, or Firm*—Pollock, Vande Sande and Priddy

[30] **Foreign Application Priority Data**

Jul. 7, 1989 [JP] Japan ..... 1-25290

[52] U.S. Cl. .... **D13/147**

[58] Field of Search ..... D13/133, 147; 439/92, 439/544-555, 553-554, 638, 650, 676; D14/240-241, 299

[56] **References Cited**

**U.S. PATENT DOCUMENTS**

D. 309,725 8/1990 O'Grady ..... D13/133  
 D. 311,725 10/1990 Tanaka et al. .... D13/147

[57] **CLAIM**

The ornamental design for a jack, as shown and described.

**DESCRIPTION**

FIG. 1 is a front, top perspective view of a jack showing my new design;  
 FIG. 2 is a rear, bottom perspective view thereof;  
 FIG. 3 is a front elevational view thereof;  
 FIG. 4 is a right side elevational view thereof;  
 FIG. 5 is a top plan view thereof;  
 FIG. 6 is a left side elevational view thereof;  
 FIG. 7 is a rear elevational view thereof;  
 FIG. 8 is a bottom plan view thereof.

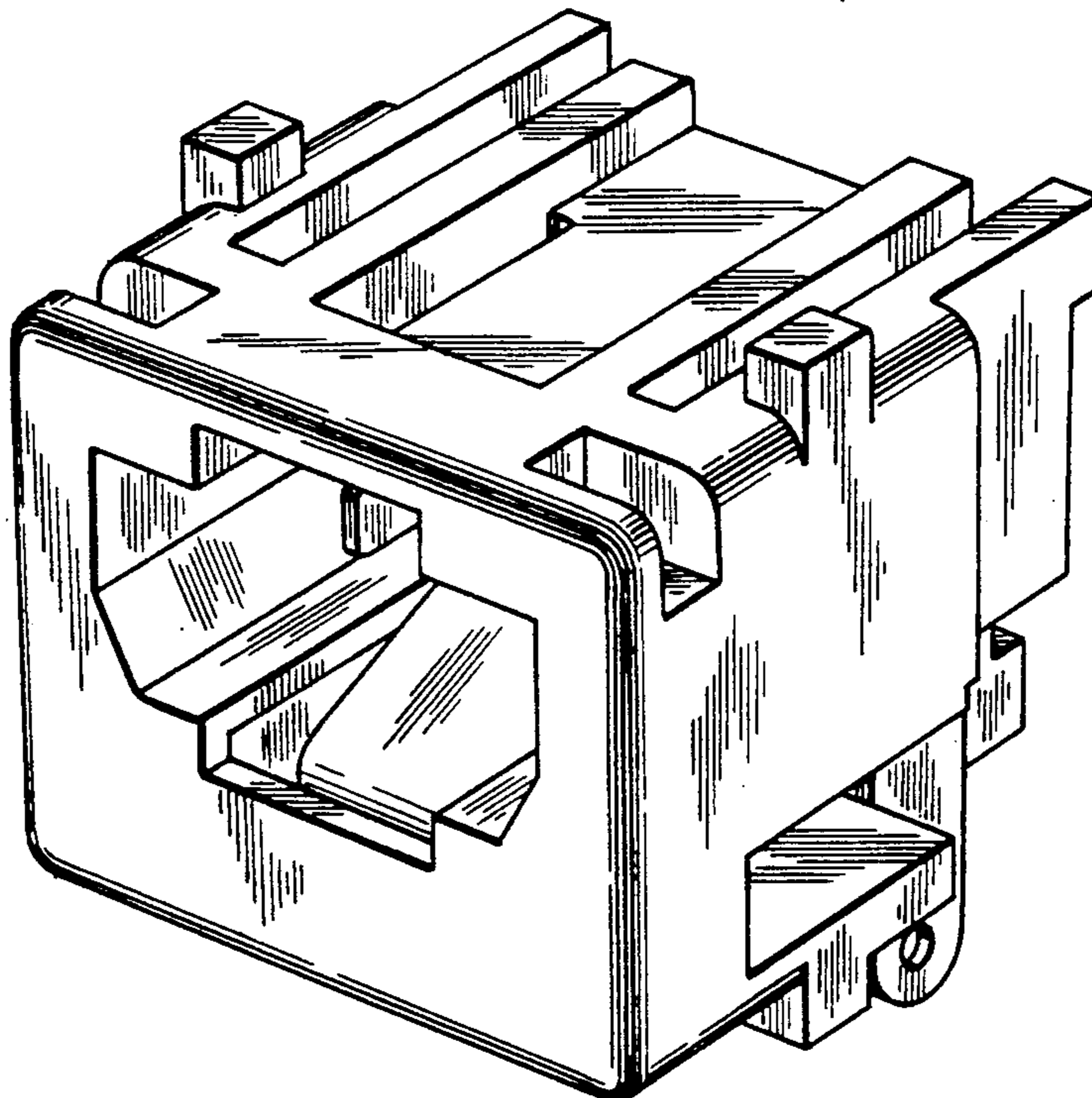


FIG. 1

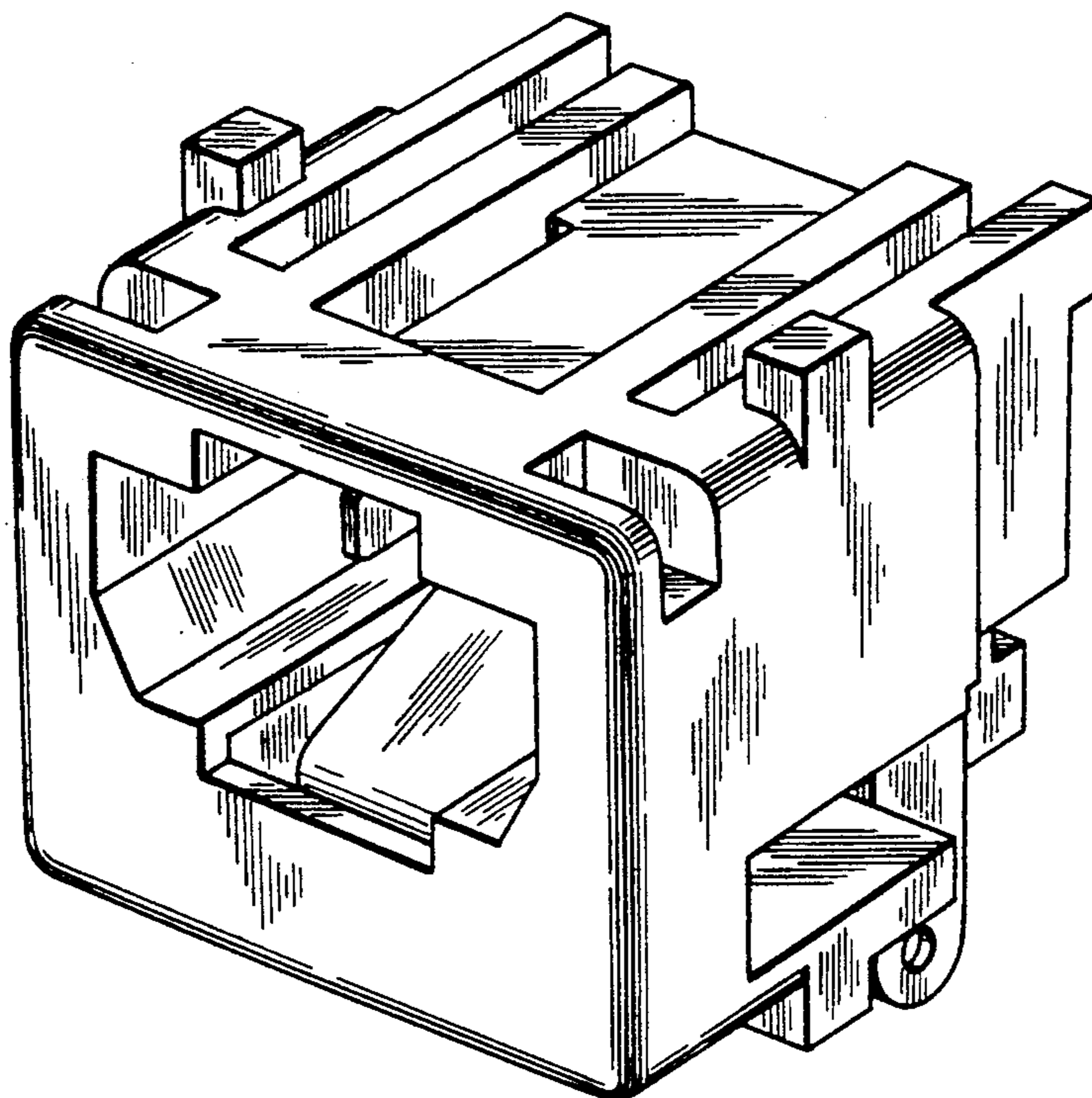


FIG. 2

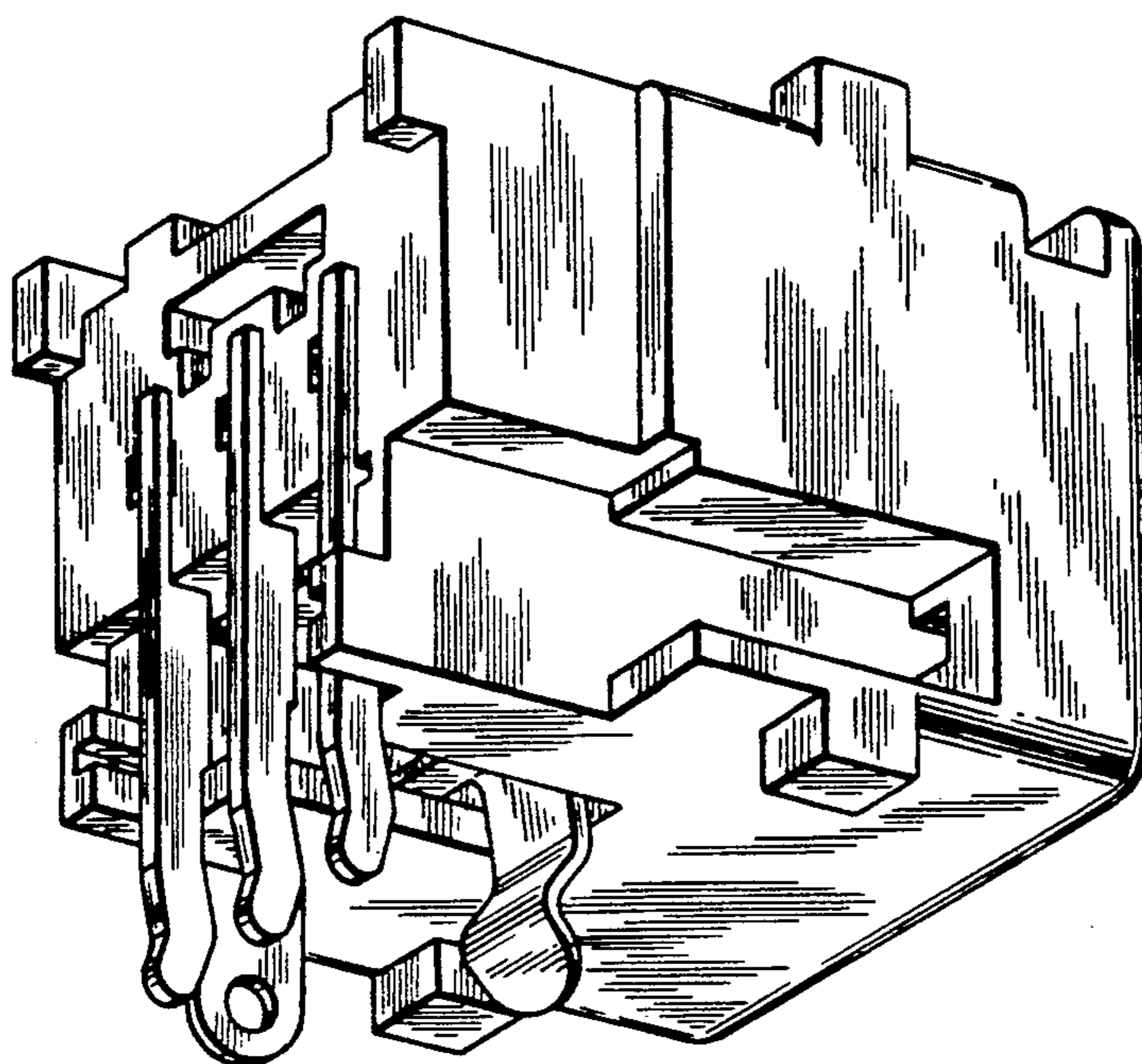


FIG. 3

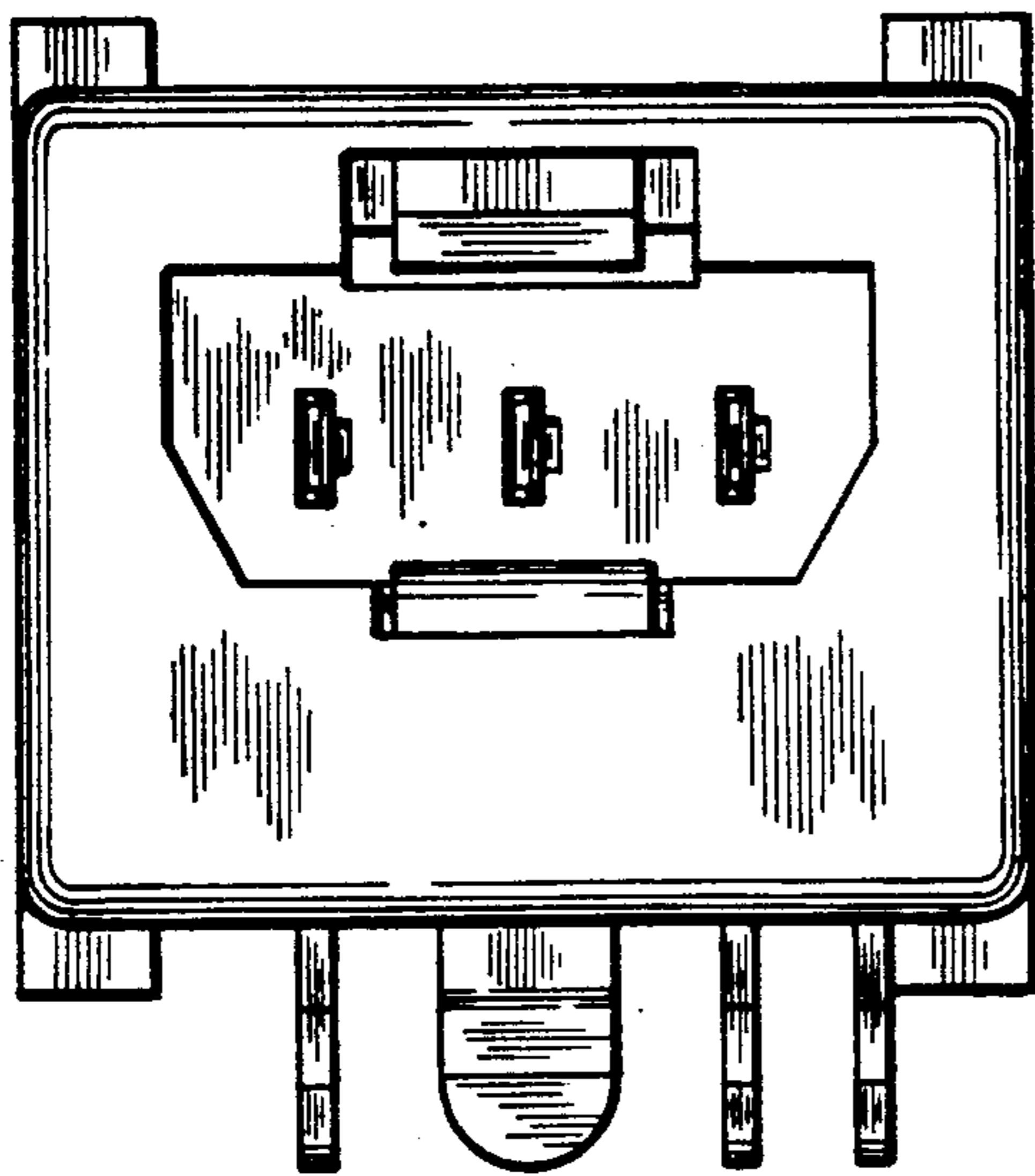


FIG. 4

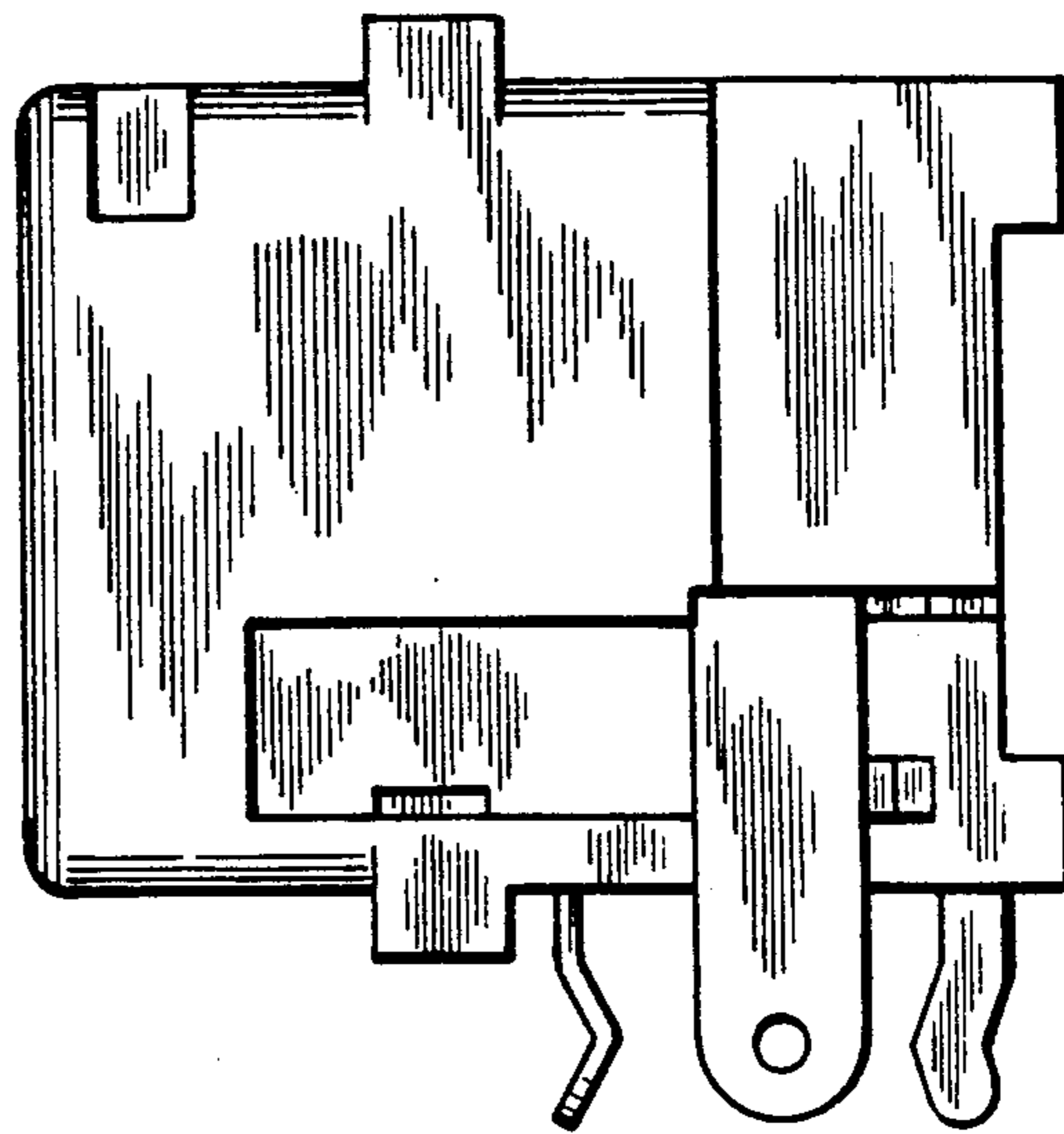


FIG. 5

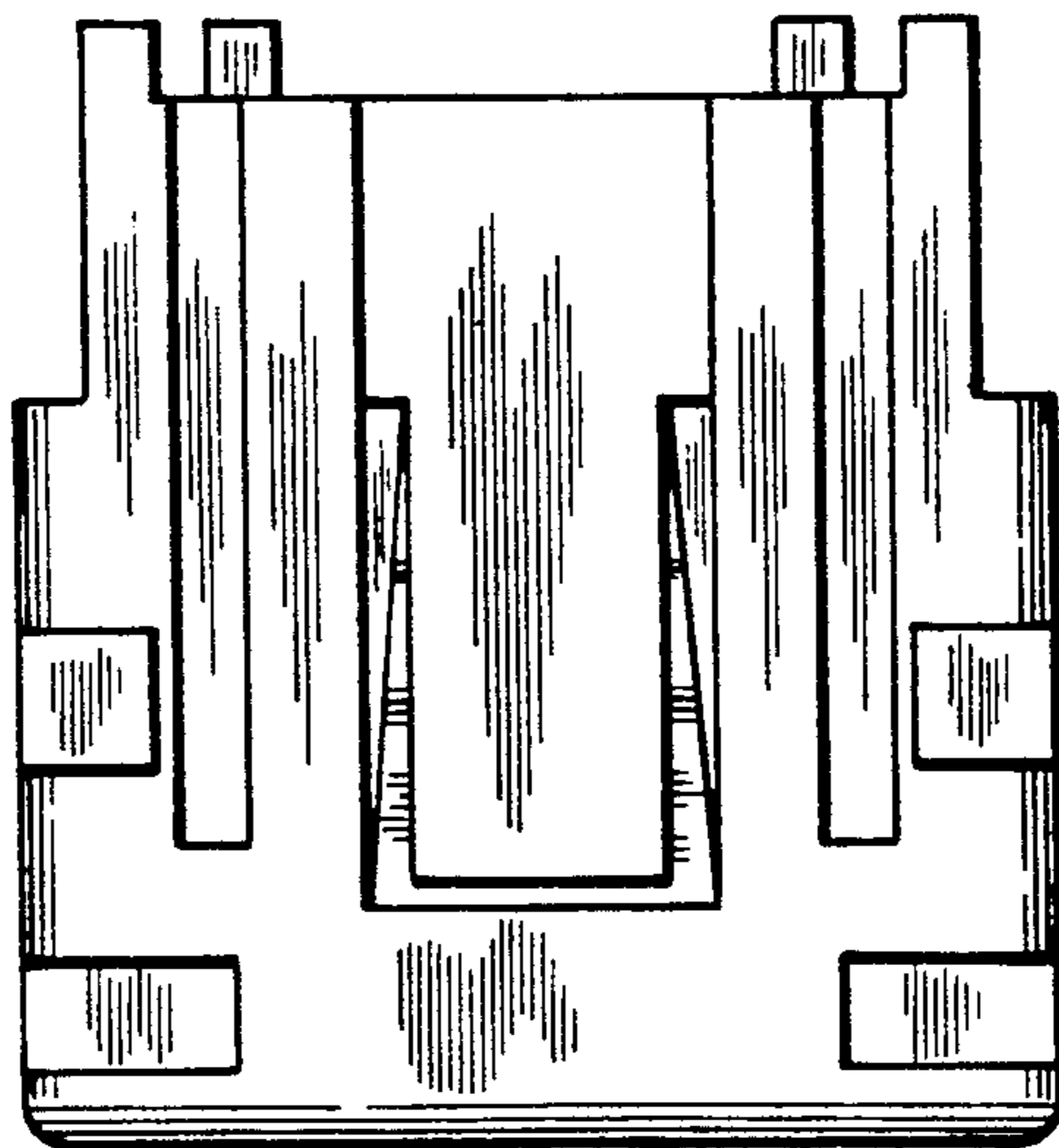


FIG. 6

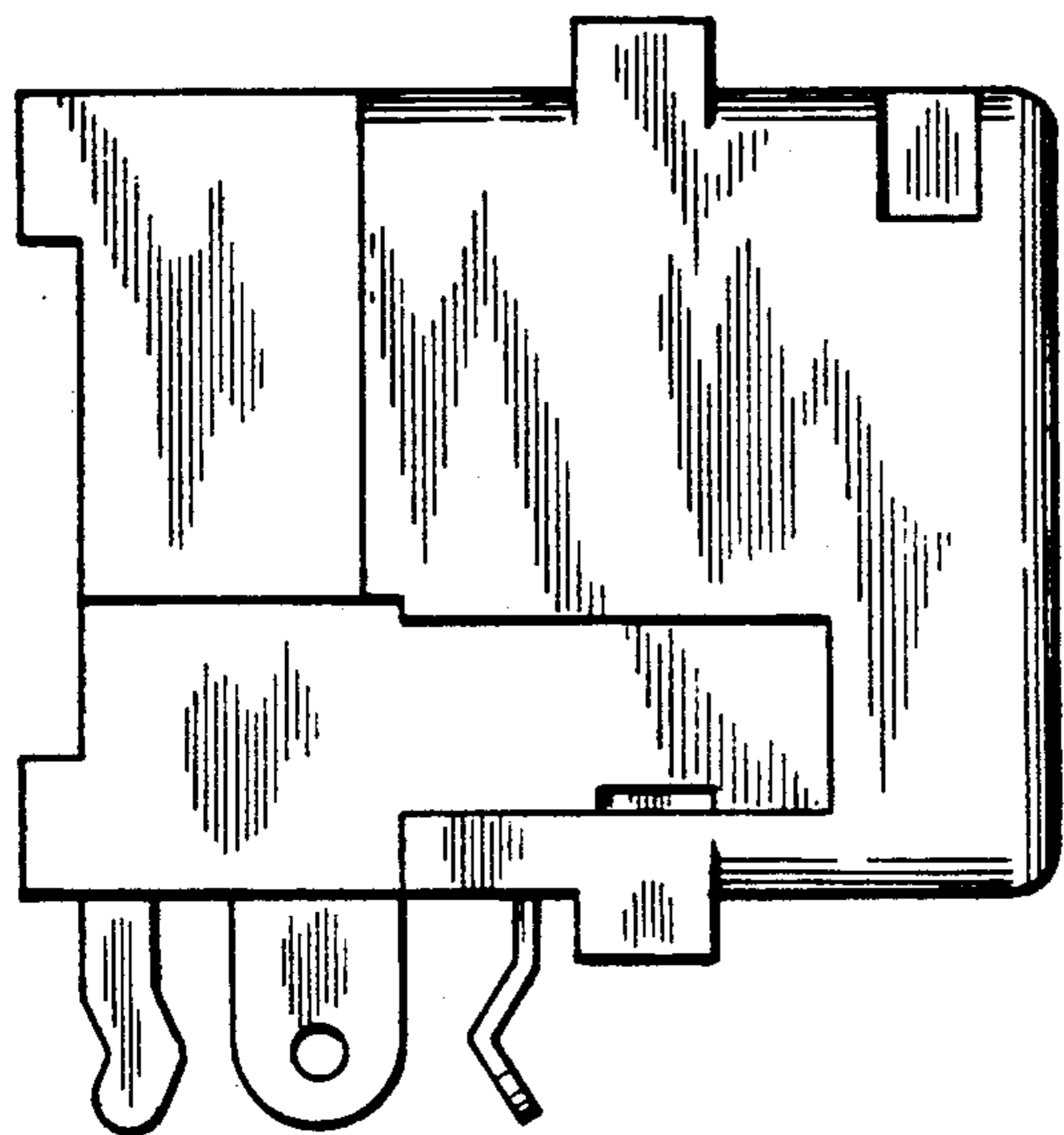


FIG. 7

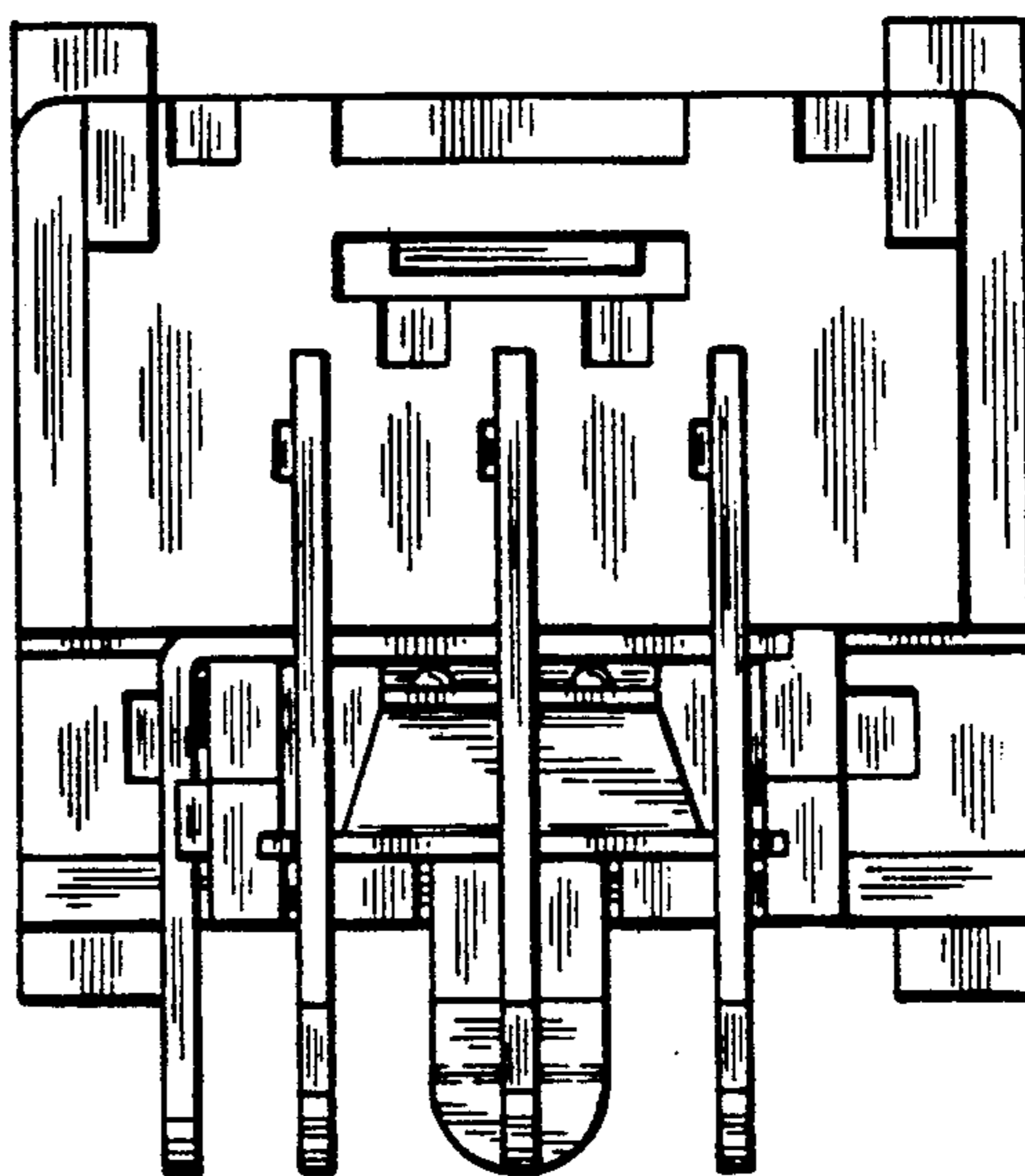


FIG. 8

