



US00D322956S

United States Patent [19]

Takenouchi et al.

[11] Patent Number: **Des. 322,956**

[45] Date of Patent: **** Jan. 7, 1992**

- [54] **ELECTRICAL CONNECTOR HOUSING**
- [75] Inventors: **Kenji Takenouchi; Makoto Yamanashi**, both of Shizuoka, Japan
- [73] Assignee: **Yazaki Corporation**, Tokyo, Japan
- [**] Term: **14 Years**
- [21] Appl. No.: **452,464**
- [22] Filed: **Dec. 20, 1989**

- [30] **Foreign Application Priority Data**
- Jun. 21, 1989 [JP] Japan 1-22636
- [52] **U.S. Cl.** **D13/146**
- [58] **Field of Search** **D13/133, 146, 147;**
 439/271, 275, 279, 282, 293, 297, 350, 352, 353,
 357, 358, 571, 586, 587, 589, 595, 596, 598, 600,
 680, 682, 685, 686, 687, 695, 701, 724, 744, 748,
 752

- [56] **References Cited**
- U.S. PATENT DOCUMENTS**
- D. 316,077 4/1991 Takenouchi et al. D13/133
- D. 317,899 7/1991 Takenouchi et al. D13/133
- D. 317,904 7/1991 Takenouchi et al. D13/147
- 3,179,738 4/1965 De Lyon 439/350
- 3,688,243 8/1972 Yamada et al. 439/293

Primary Examiner—Susan J. Lucas

Assistant Examiner—Joel Sincavage
Attorney, Agent, or Firm—Armstrong, Nikaido,
Marmelstein, Kubovcik & Murray

[57] CLAIM

The ornamental design for an electrical connector housing, as shown and described.

DESCRIPTION

FIG. 1 is a top plan view of an electrical connector housing showing our new design;
 FIG. 2 is a front elevational view thereof;
 FIG. 3 is a bottom plan view thereof;
 FIG. 4 is a left side elevational view thereof, the right side elevational view thereof being a mirror image;
 FIG. 5 is a rear elevational view thereof;
 FIG. 6 is a cross-sectional view taken along line 6—6 of FIG. 2;
 FIG. 7 is a cross-sectional view taken along line 7—7 of FIG. 2;
 FIG. 8 is a cross-sectional view taken along line 8—8 of FIG. 2;
 FIG. 9 is a cross-sectional view taken along line 9—9 of FIG. 2;
 FIG. 10 is a front and upper right perspective view thereof showing the parts separated for the purpose of a complete disclosure. The broken line showing is included for the purpose of illustrating environmental elements only and forms no part of the claimed design.

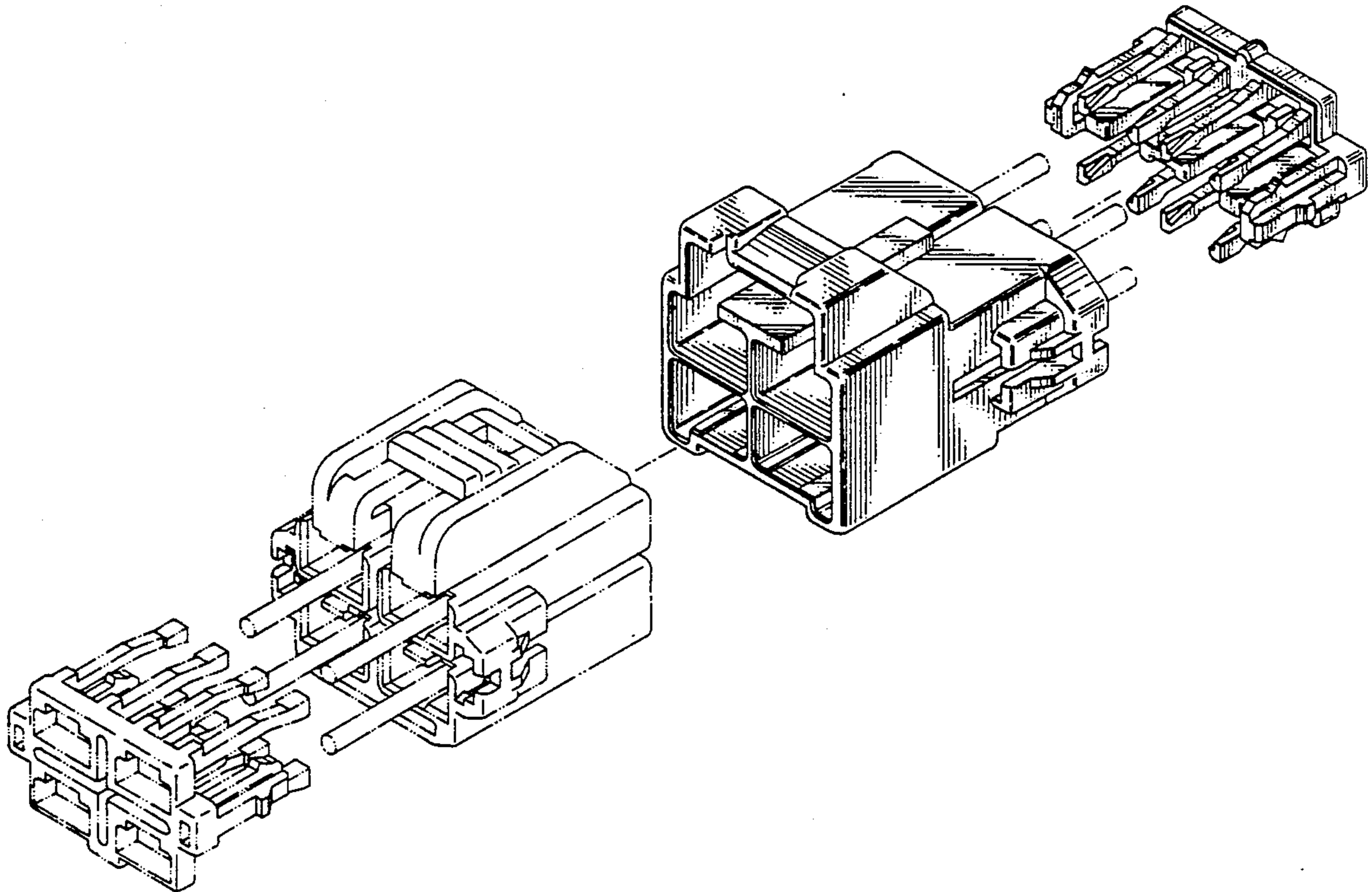


FIG. 1

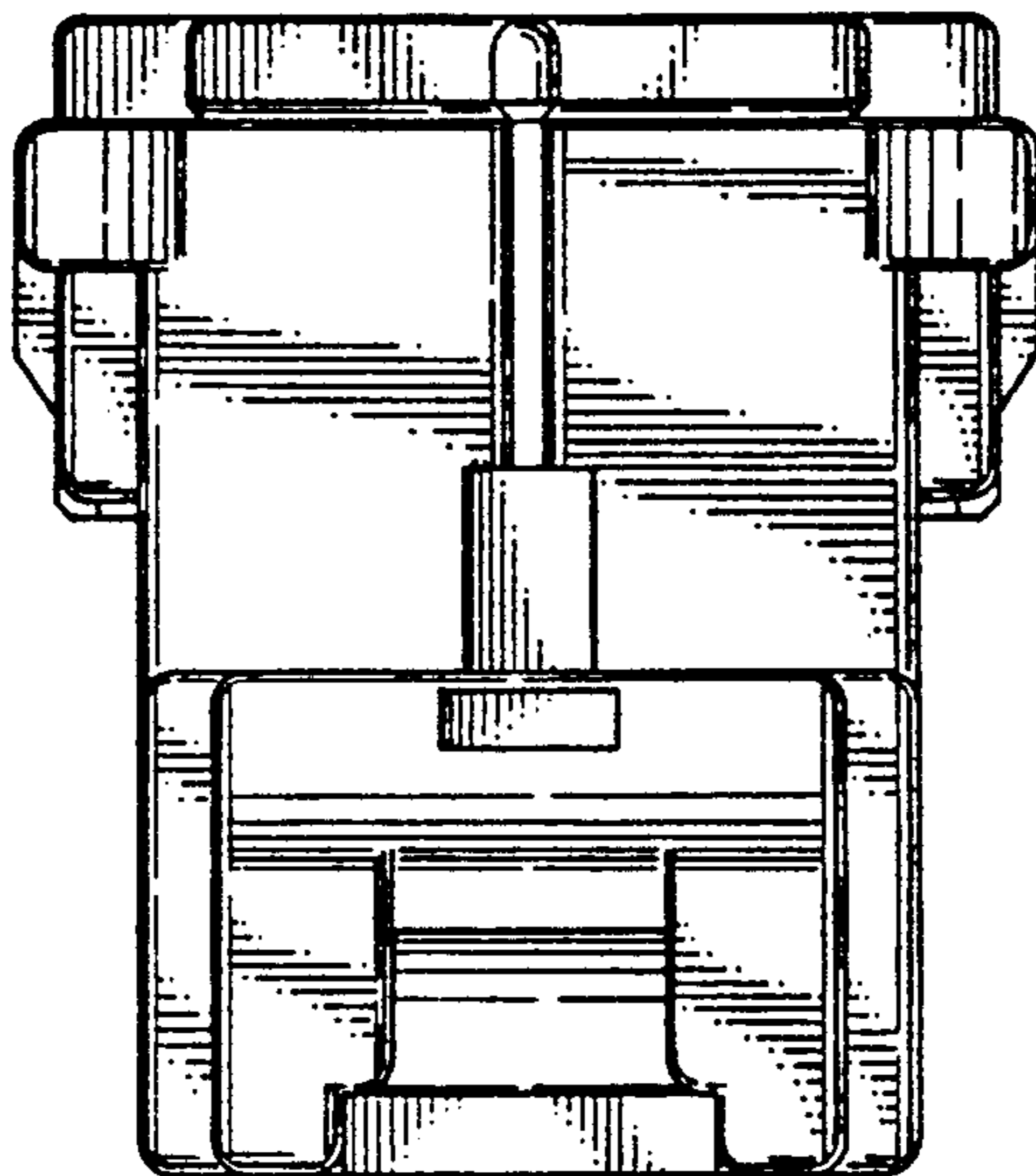


FIG. 2

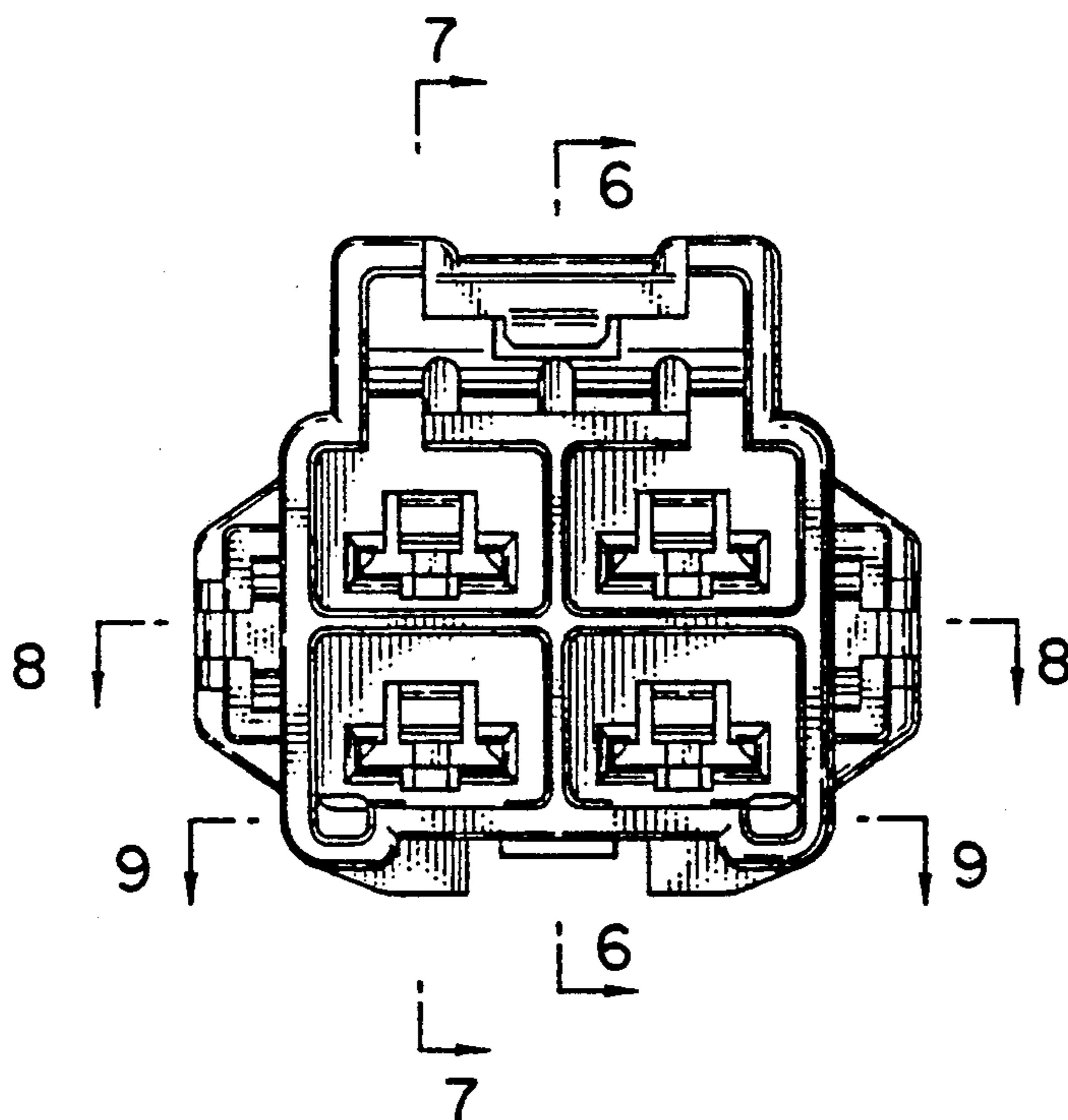


FIG. 3

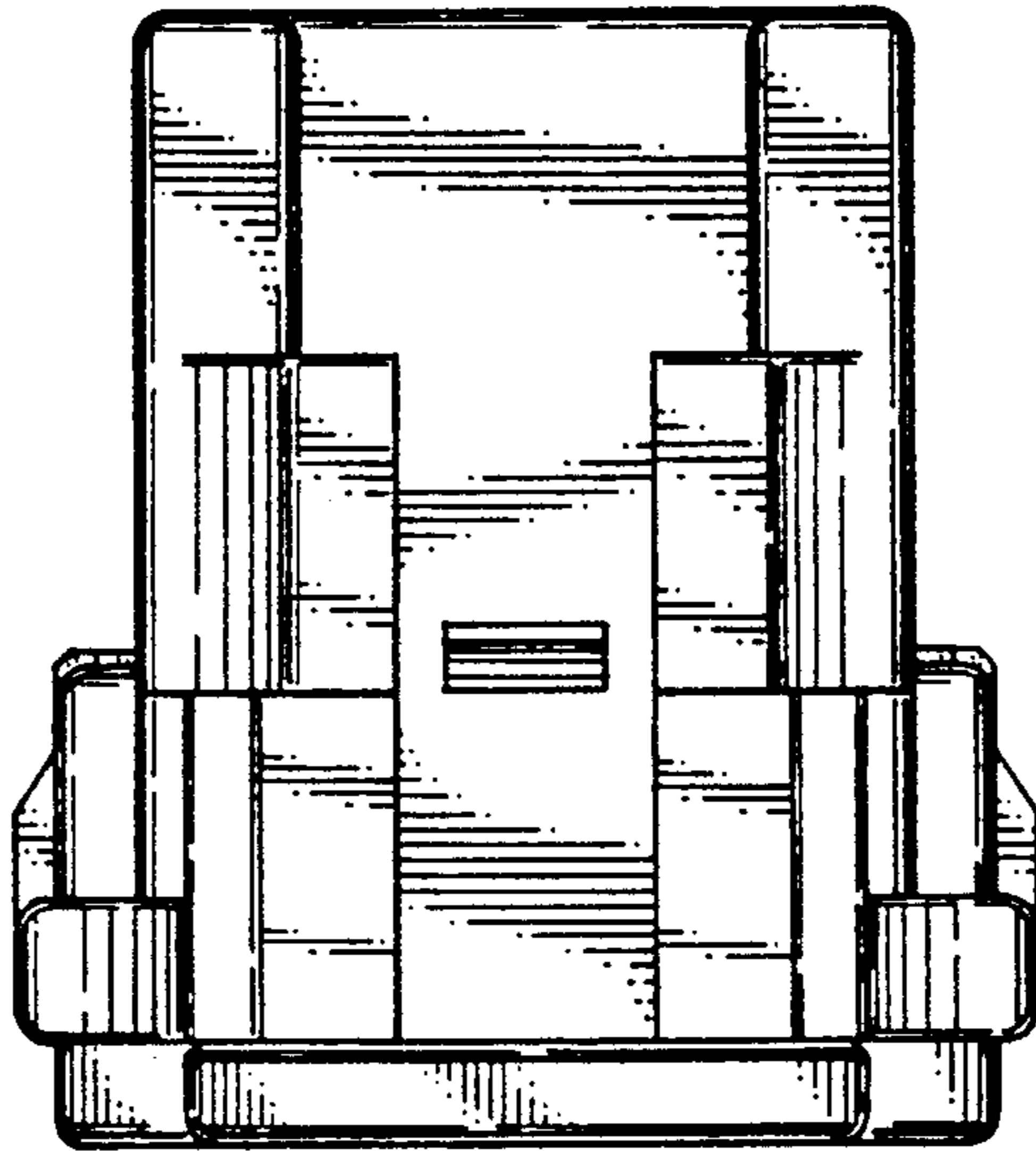


FIG. 4

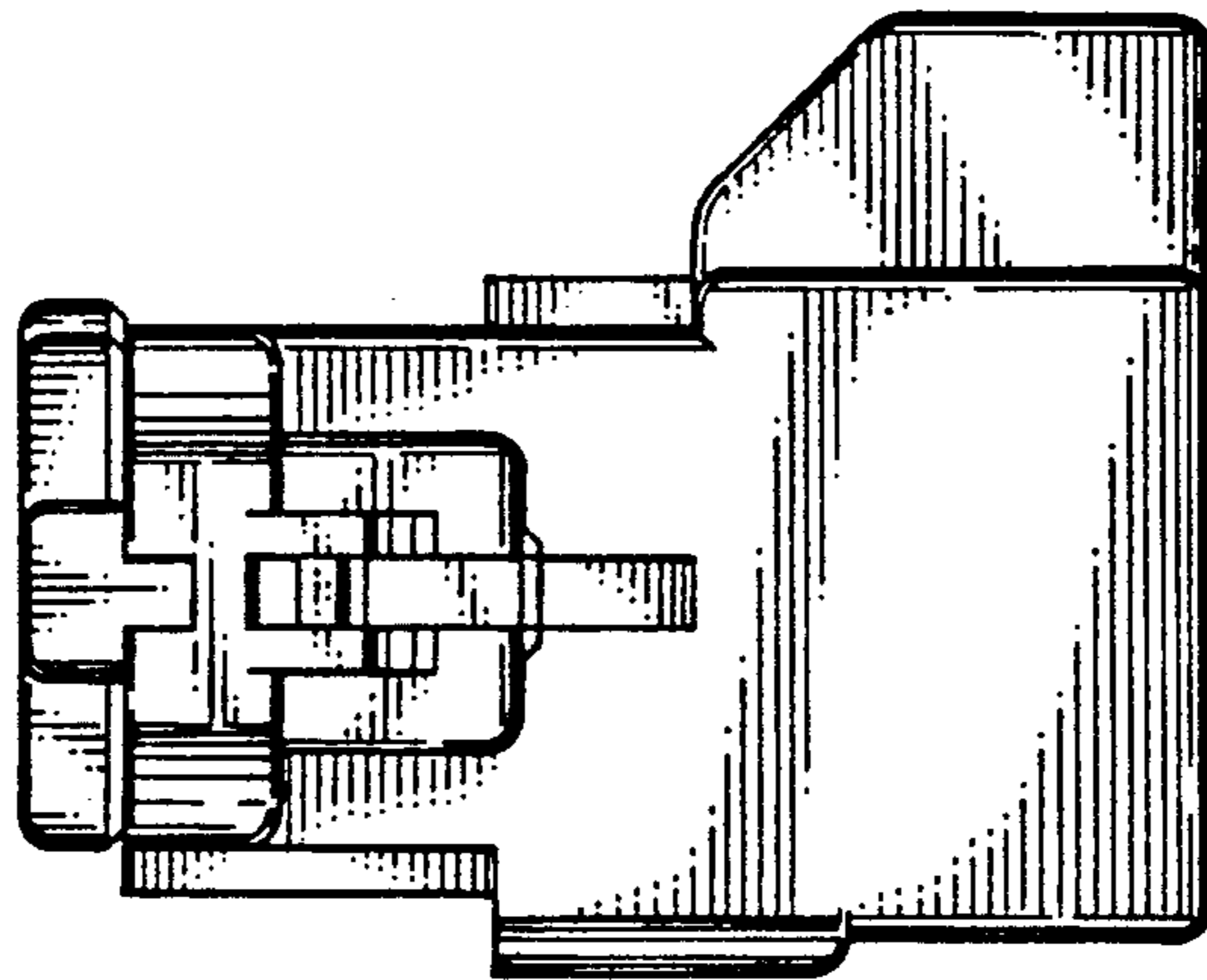


FIG. 5

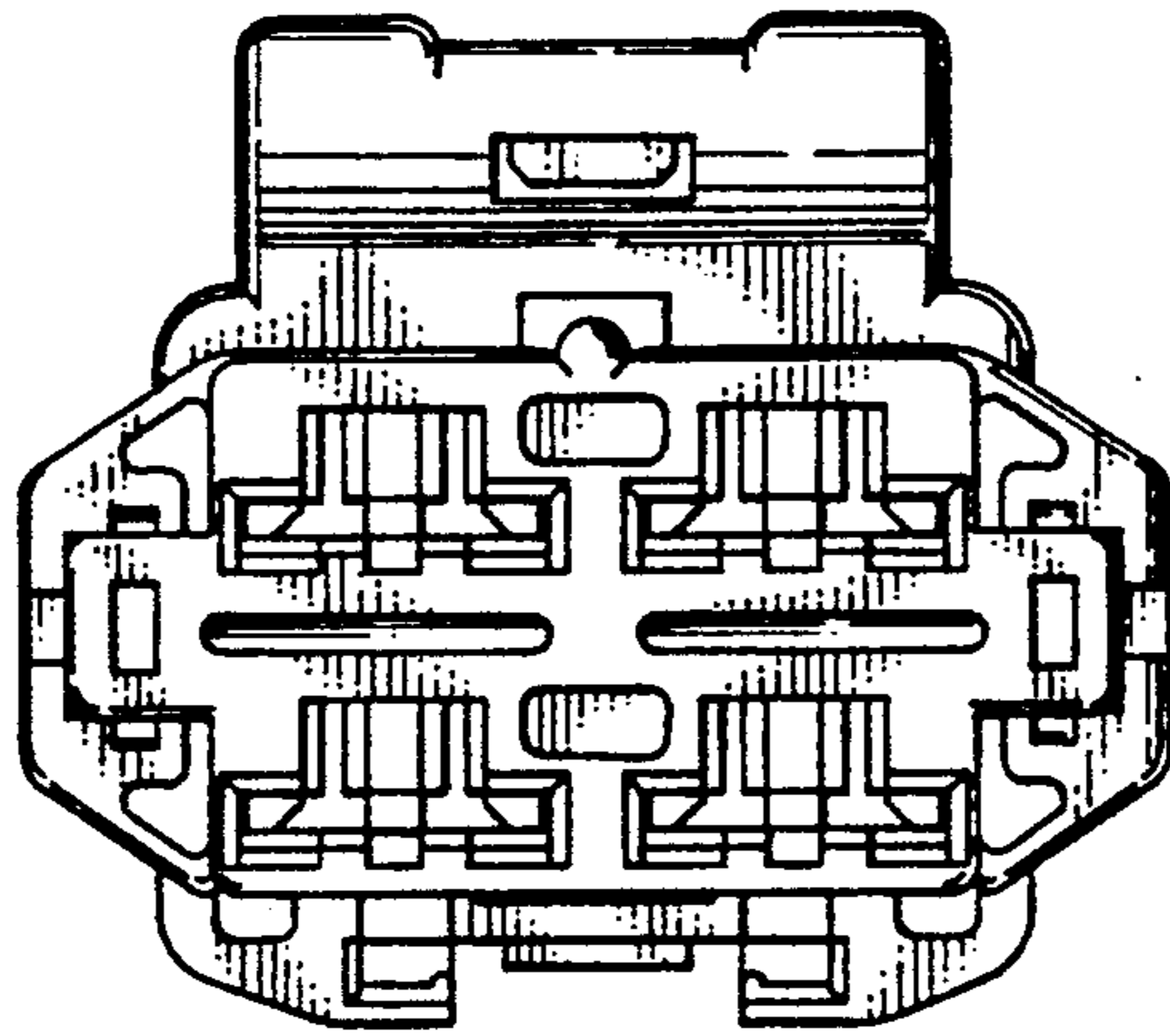


FIG. 6

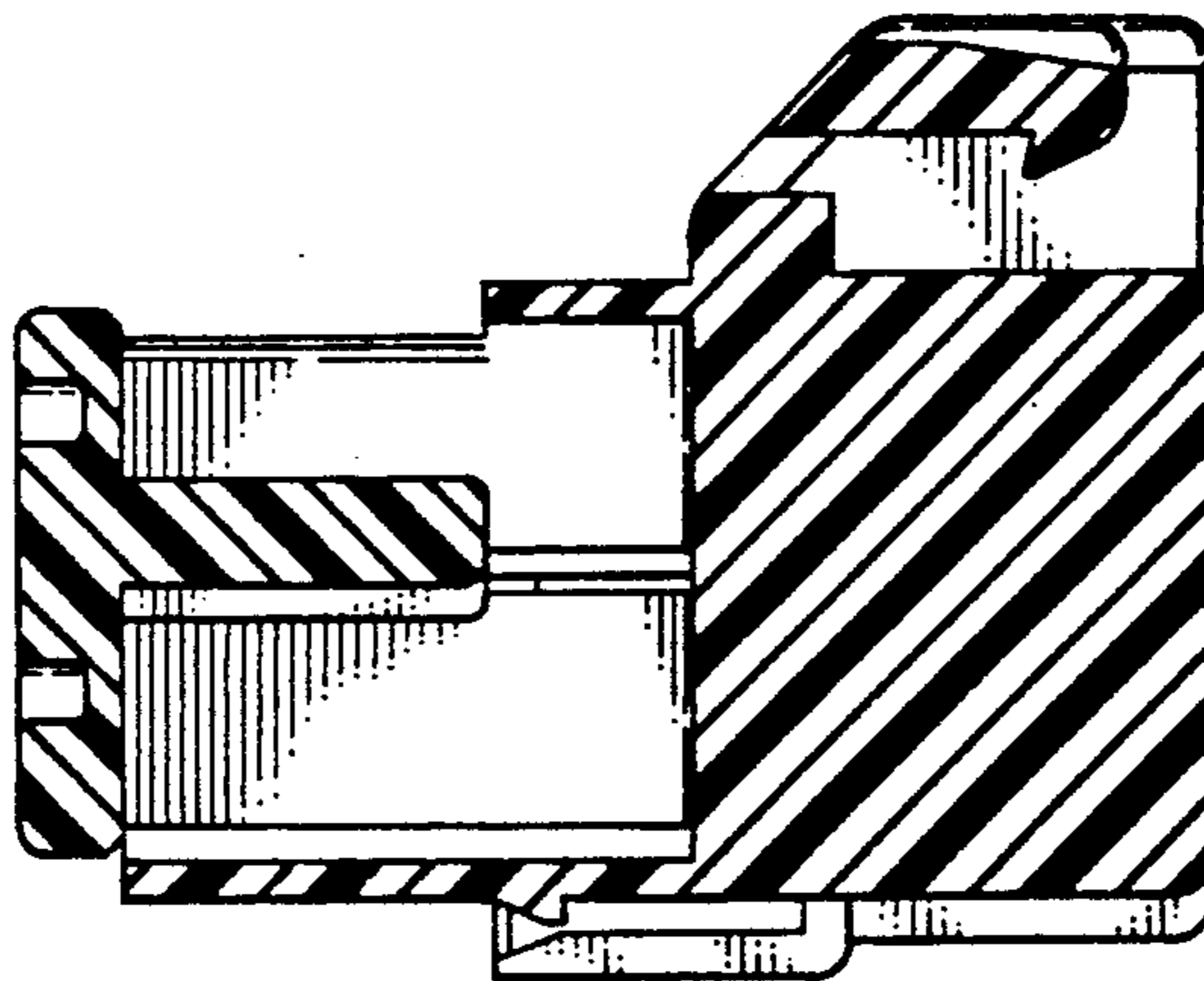


FIG. 7

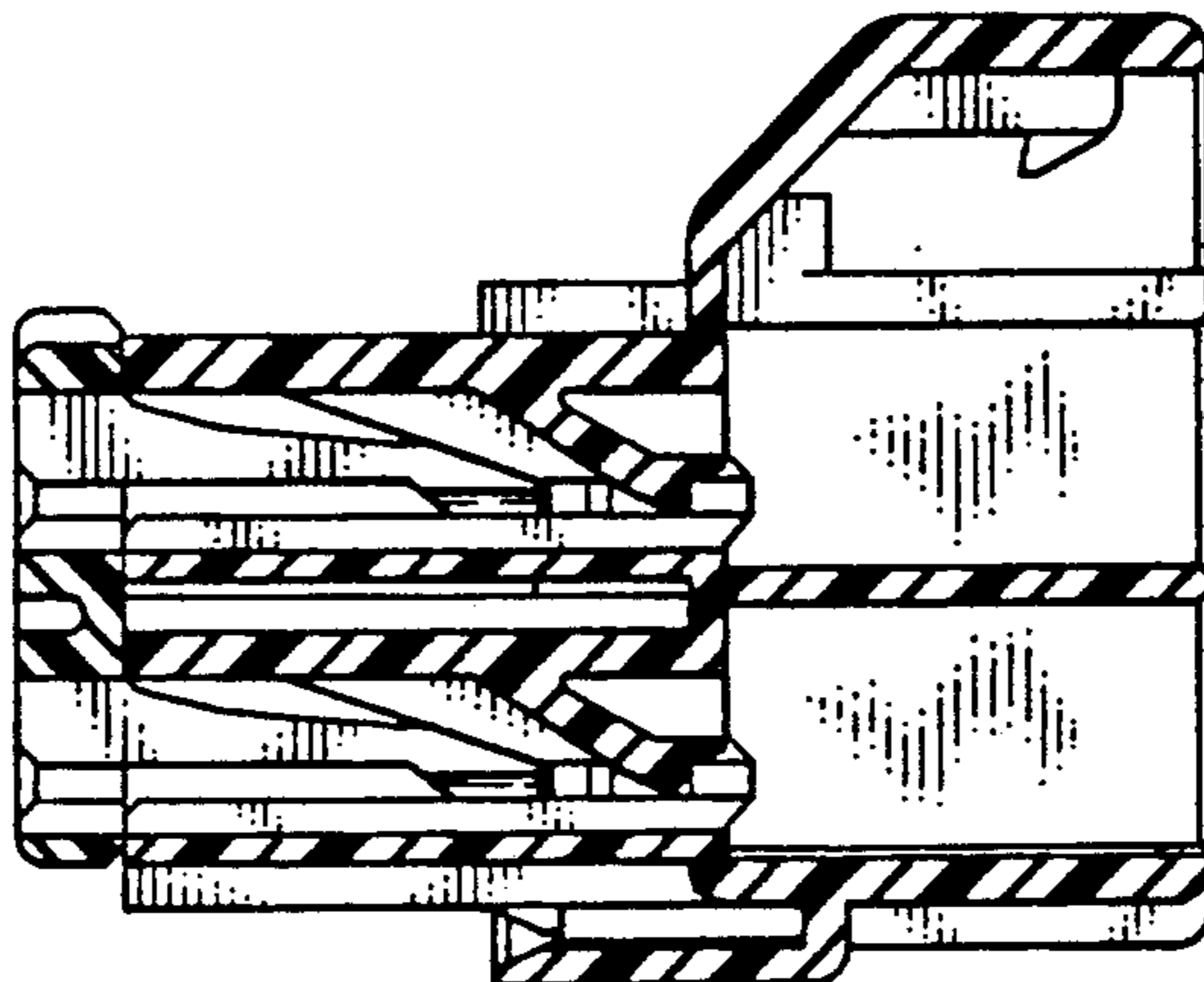


FIG. 8

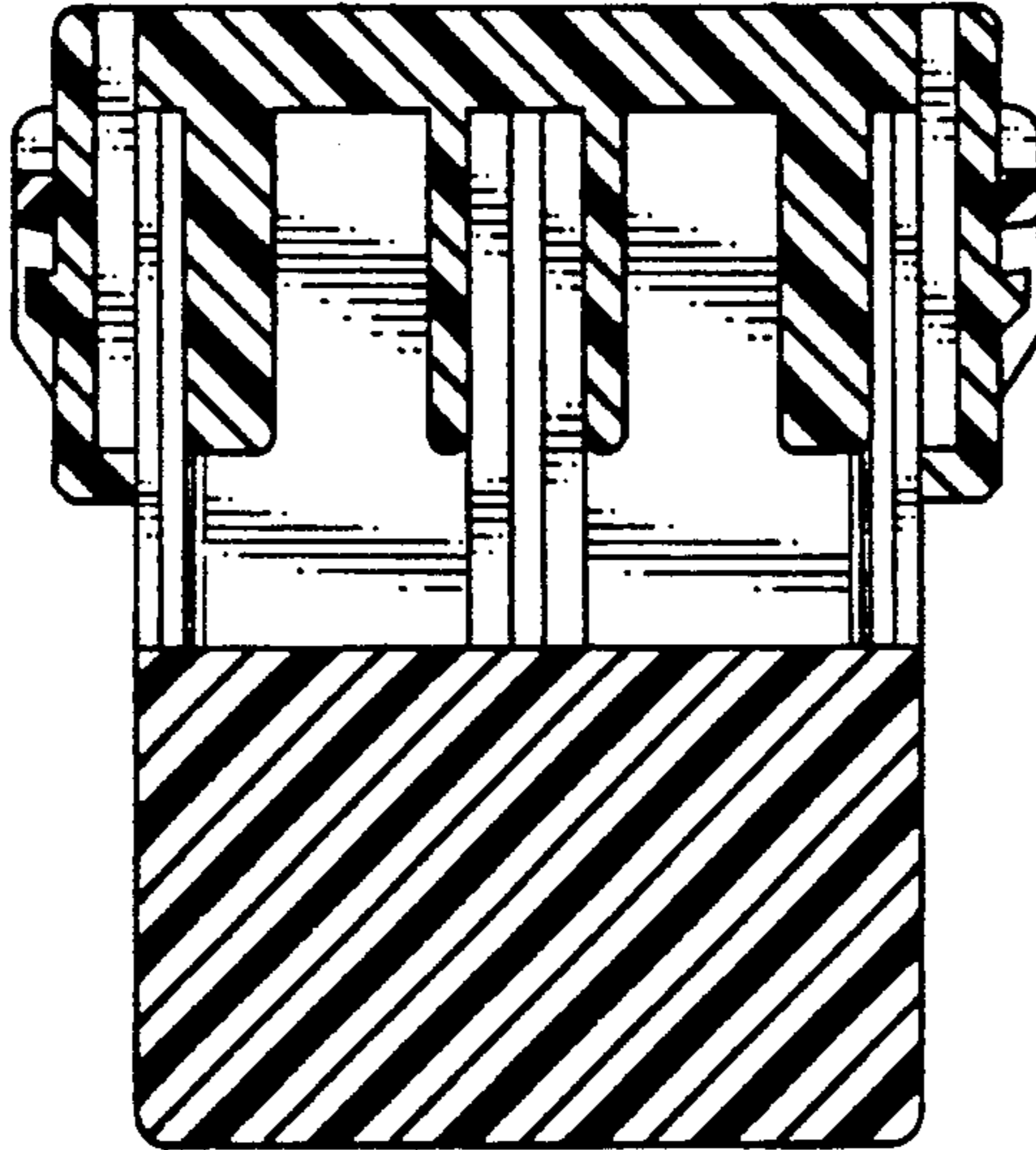


FIG. 9

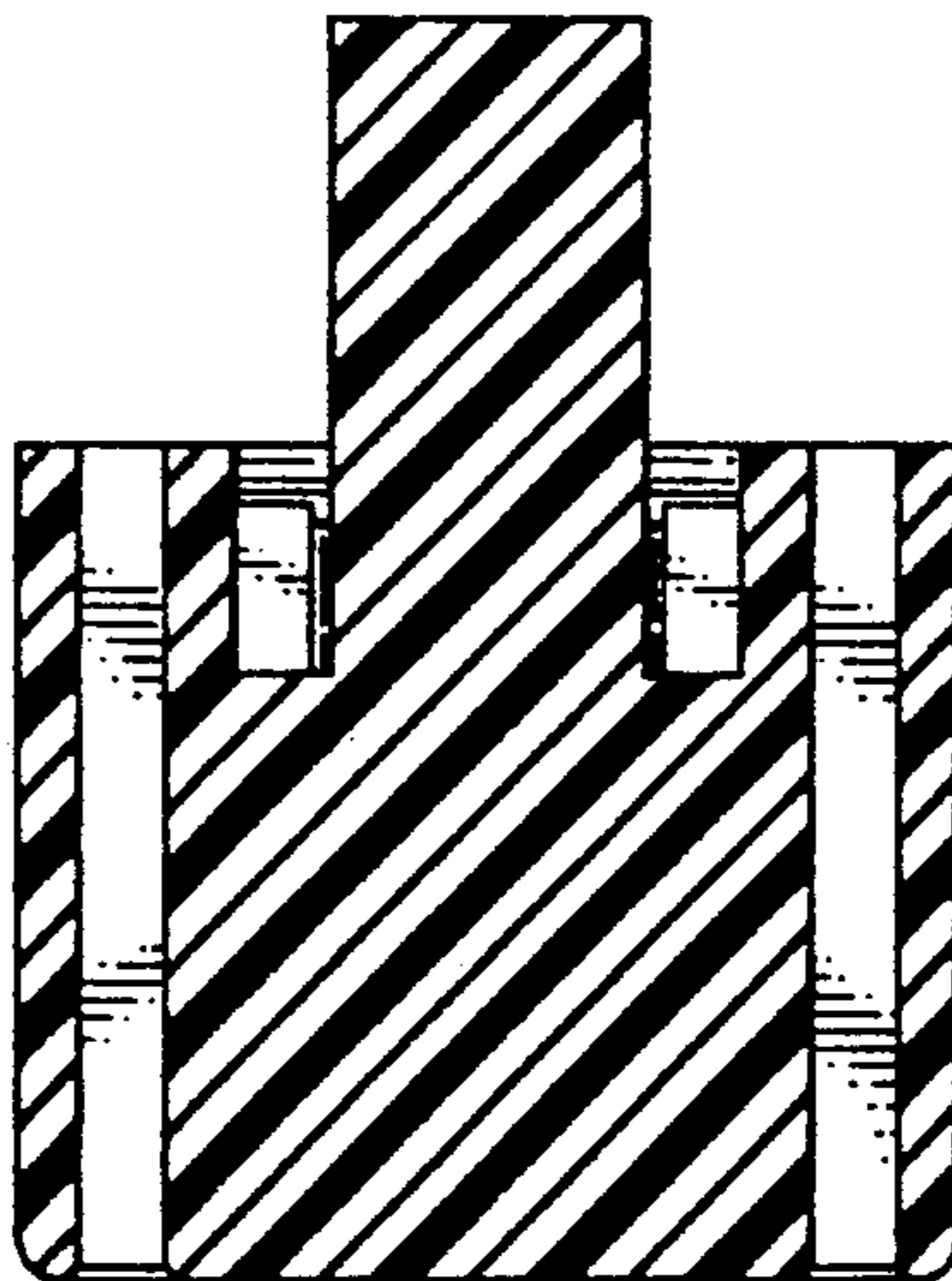


FIG. 10

