



US00D322955S

United States Patent [19]

Hillier et al.

[11] Patent Number: **Des. 322,955**

[45] Date of Patent: **** Jan. 7, 1992**

[54] HOUSING FOR AN ELECTRICAL CONNECTOR OR SIMILAR ARTICLE

[75] Inventors: **Bruce D. Hillier, Barrington; Eugene J. Wall, LaGrange, both of Ill.**

[73] Assignee: **Motorola, Inc., Schaumburg, Ill.**

[**] Term: **14 Years**

[21] Appl. No.: **438,369**

[22] Filed: **Nov. 20, 1989**

[52] U.S. Cl. **D13/133**

[58] Field of Search **D13/133; 439/74, 77, 439/499, 694, 697, 747, 923, 926**

[56] **References Cited**

U.S. PATENT DOCUMENTS

D. 285,569	9/1986	Retiz et al.	D14/114
3,696,319	10/1972	Olsson	439/77 X
3,897,994	8/1975	Errichiello	339/176 M
4,037,899	7/1977	Crowell	339/17 C
4,333,702	6/1982	Herrmann, Jr.	439/694 X
4,415,219	11/1983	Kuhl et al.	339/195 M

4,629,271	12/1986	Awano	439/77 X
4,636,016	1/1987	Ford, Jr.	339/17 F
4,662,691	5/1987	Derdzinski	339/17 M
4,871,315	10/1989	Noschese	439/77 X
4,950,170	8/1990	Miller, Jr.	439/74

Primary Examiner—Susan J. Lucas
Assistant Examiner—M. H. Tung
Attorney, Agent, or Firm—Raymond A. Janski; Rolland R. Hackbart

[57] **CLAIM**

The ornamental design for a housing for an electrical connector or similar article, as shown and described.

DESCRIPTION

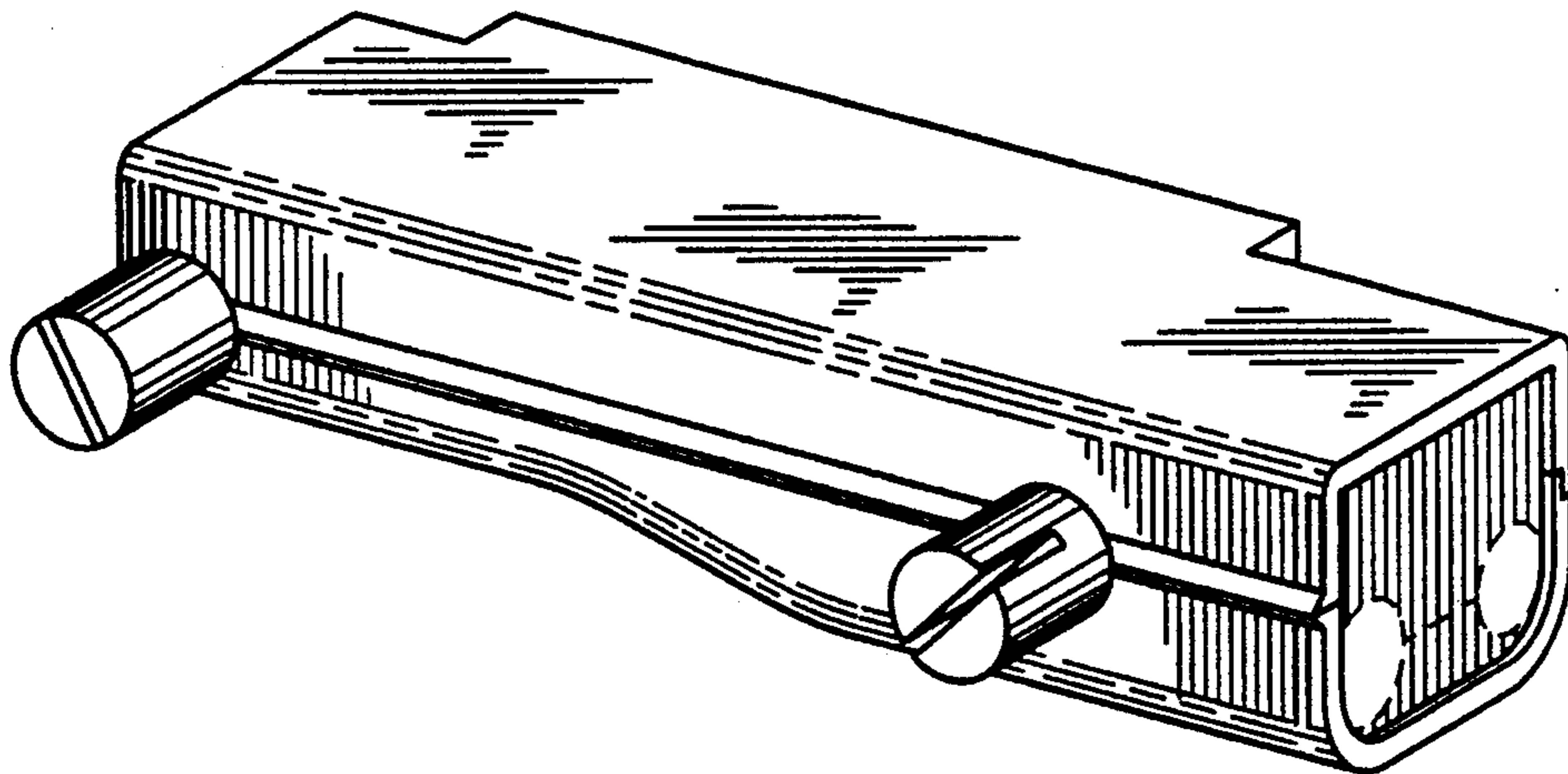
FIG. 1 is a top, front, and right side perspective view of said housing for an electrical connector or similar article showing our new design;

FIG. 2 is a rear elevational view thereof;

FIG. 3 is a left side elevational view thereof;

FIG. 4 is a bottom plan view thereof.

The broken line drawing is for illustrative purposes only and forms no part of the claimed design.



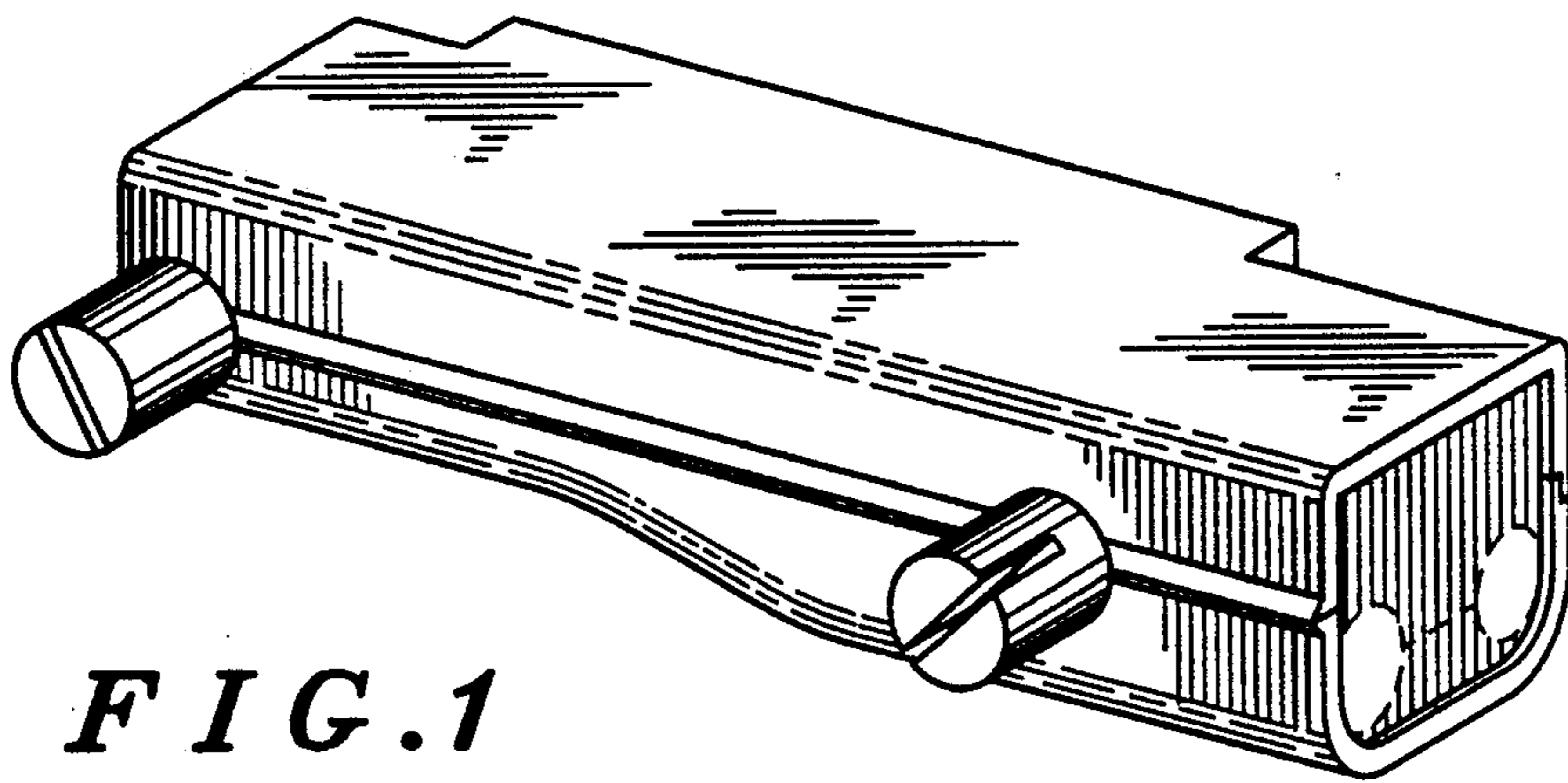


FIG. 1

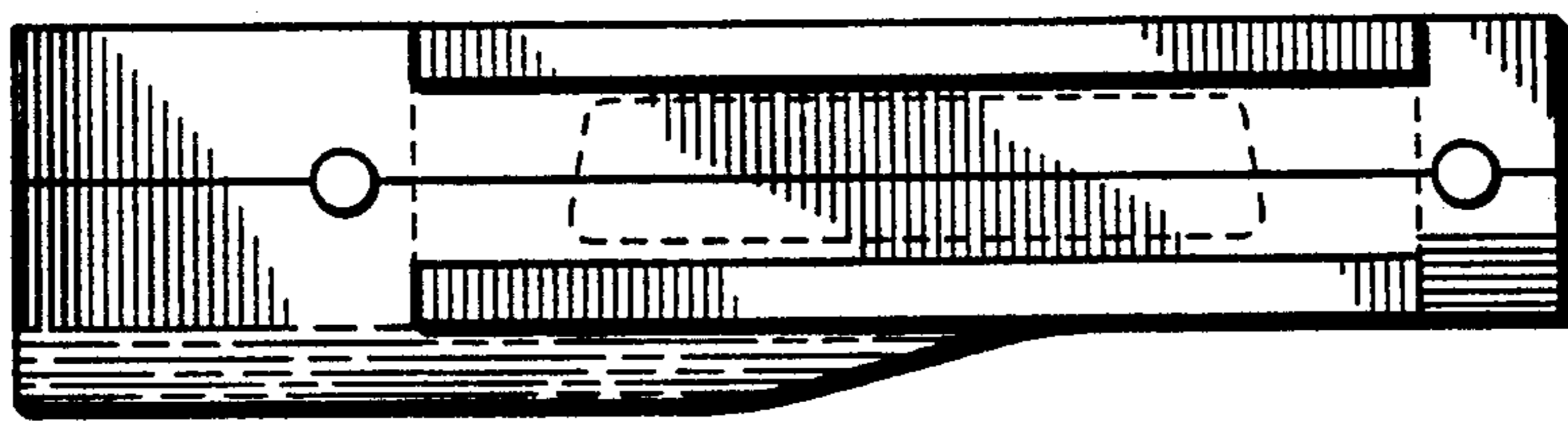


FIG. 2

FIG. 3

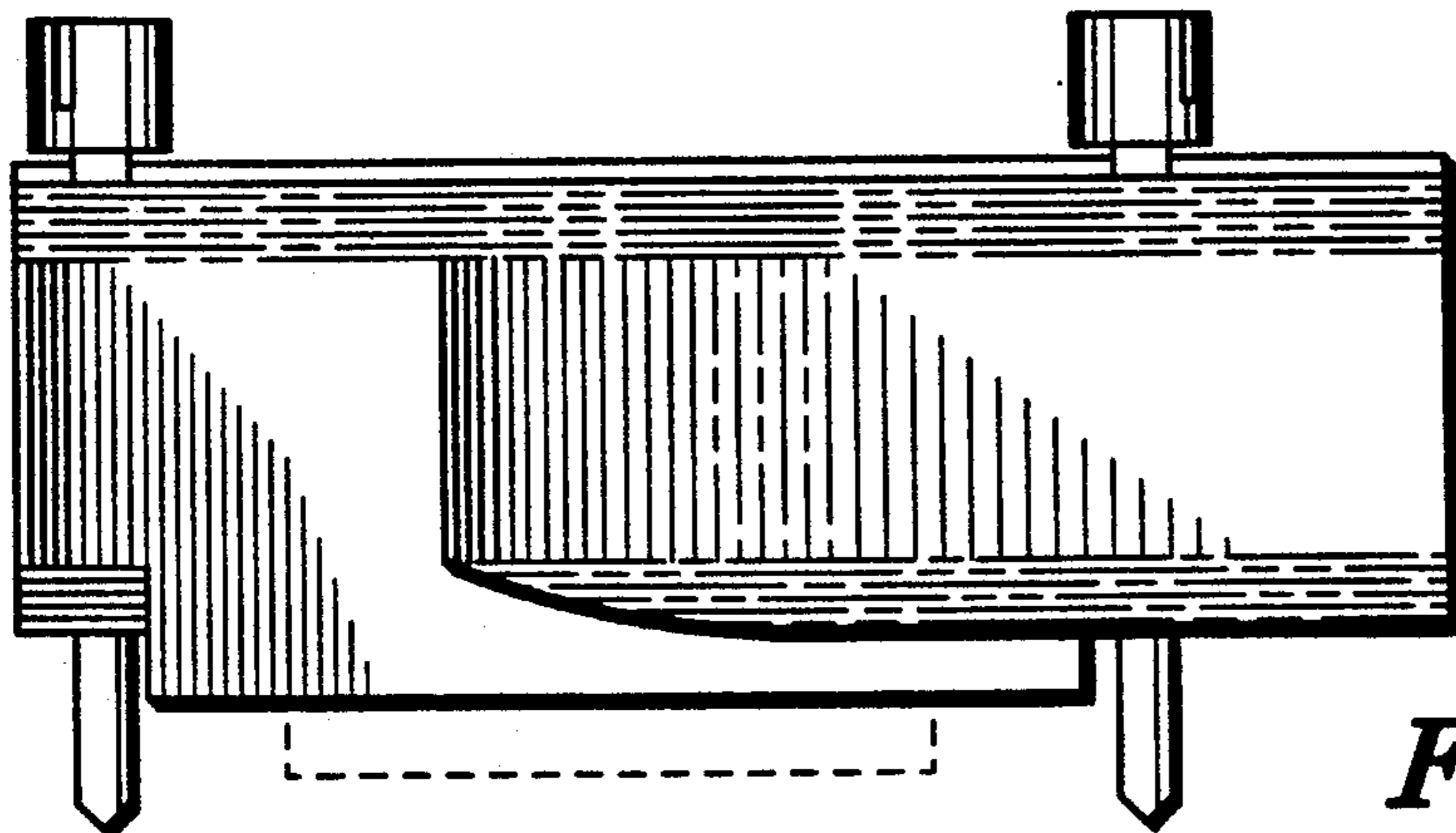
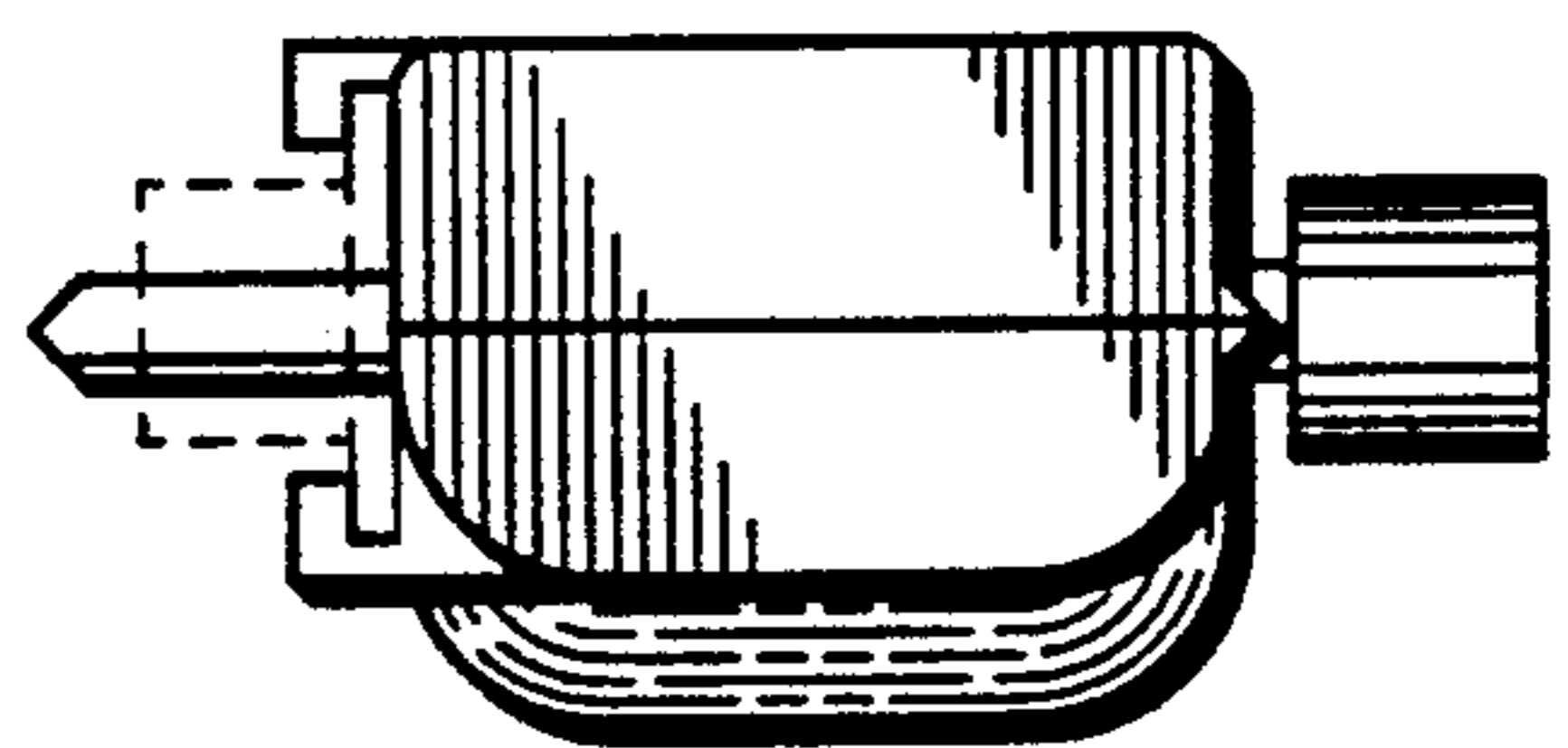


FIG. 4

UNITED STATES PATENT AND TRADEMARK OFFICE
CERTIFICATE OF CORRECTION

PATENT NO. : Des. 322,955
DATED : Jan. 7, 1992
INVENTOR(S) : Bruce D. Hillier and Eugene J. Wall

It is certified that error appears in the above-identified patent and that said Letters Patent is hereby corrected as shown below:

On the title page:

The date of patent on the second page should read --
Jan. 7, 1992--

**Signed and Sealed this
Twentieth Day of April, 1993**

Attest:

Attesting Officer

MICHAEL K. KIRK

Acting Commissioner of Patents and Trademarks