



US00D322954S

United States Patent [19]

Avramovich

[11] Patent Number: **Des. 322,954**

[45] Date of Patent: **** Jan. 7, 1992**

[54] **ELECTRICAL CONNECTOR**

[75] Inventor: **Rudy Avramovich, Libertyville, Ill.**

[73] Assignee: **Woodhead Industries, Inc., Northbrook, Ill.**

[**] Term: **14 Years**

[21] Appl. No.: **428,750**

[22] Filed: **Oct. 30, 1989**

[52] U.S. Cl. **D13/133**

[58] Field of Search **D13/133, 153; 174/72 R, 174/84 C, 88 R, 91-92, 138 R, 138 F; 439/595, 598, 603, 606-607, 629-631, 680-681, 692, 347, 350, 738**

[56] **References Cited**

U.S. PATENT DOCUMENTS

3,885,849	5/1975	Bailey et al.	439/598 X
4,029,895	6/1977	Scarborough	174/138 F
4,614,392	9/1986	Moore	439/738 X
4,648,919	3/1987	Diaz et al.	174/92 X

OTHER PUBLICATIONS

ILME, Plugs and Socket Outlets for Industrial Purposes—cover, and pp. 11, 13, 15, 21, 23, and 25.

GEA Plugs and Sockets—cover and pp. 6-12 and 38-40.

Khéops, Prises de courant industrielles norme CEI 309 (4 pages).

Scame catalog cover page.

CEE Standard Plugs and Sockets from CEWE—cover and pp. 7-15 and 50 and 52.
Misc. catalog pp. 1-6.

Primary Examiner—Susan J. Lucas
Assistant Examiner—M. H. Tung
Attorney, Agent, or Firm—Emrich & Dithmar

[57] **CLAIM**

The ornamental design for an electrical connector, as shown and described.

DESCRIPTION

FIG. 1 is a top perspective view of an electrical connector showing my new design, on an enlarged scale;

FIG. 2 is a top plan view thereof;

FIG. 3 is a side elevational view thereof, the opposite side being a mirror image;

FIG. 4 is an end elevational view thereof;

FIG. 5 is an opposite end elevational view thereof;

FIG. 6 is a bottom plan view thereof;

FIG. 7 is a top perspective view of a second embodiment thereof, on an enlarged scale;

FIG. 8 is a top plan view thereof;

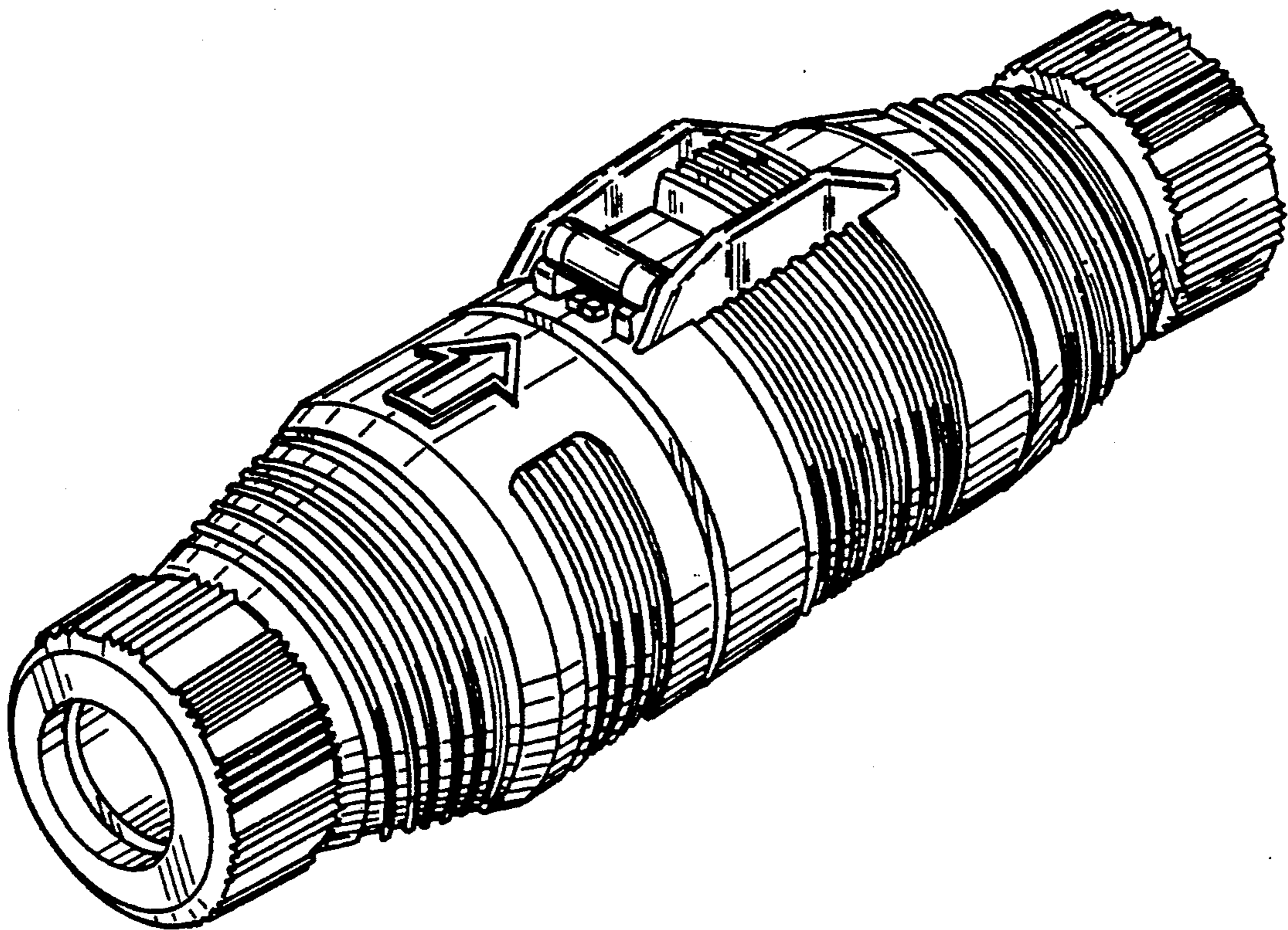
FIG. 9 is a side elevational view thereof, the opposite side being a mirror image;

FIG. 10 is an end elevational view thereof;

FIG. 11 is an opposite end elevational view thereof;

FIG. 12 is a bottom plan view thereof.

The broken line drawing of a cable in FIGS. 1 and 7 is for illustrative purposes only and forms no part of the claimed design.



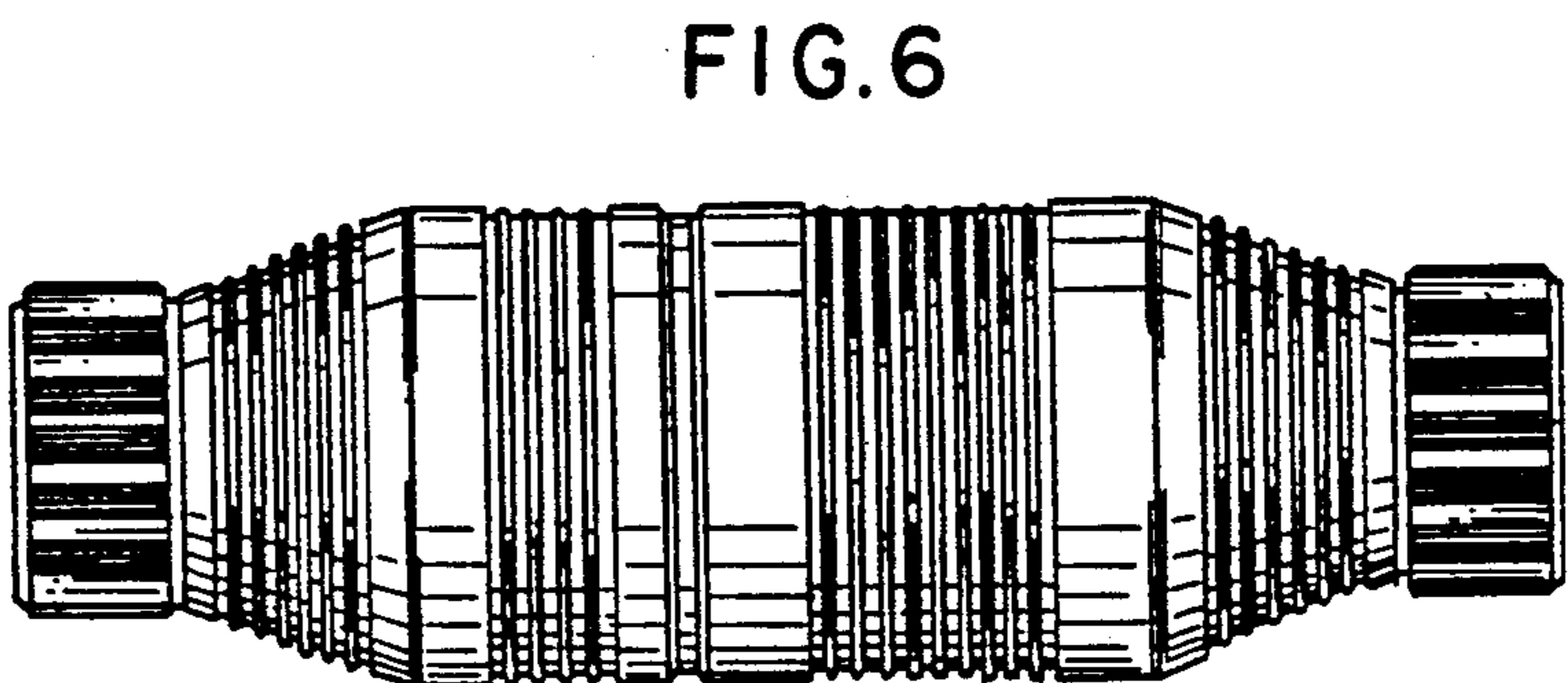
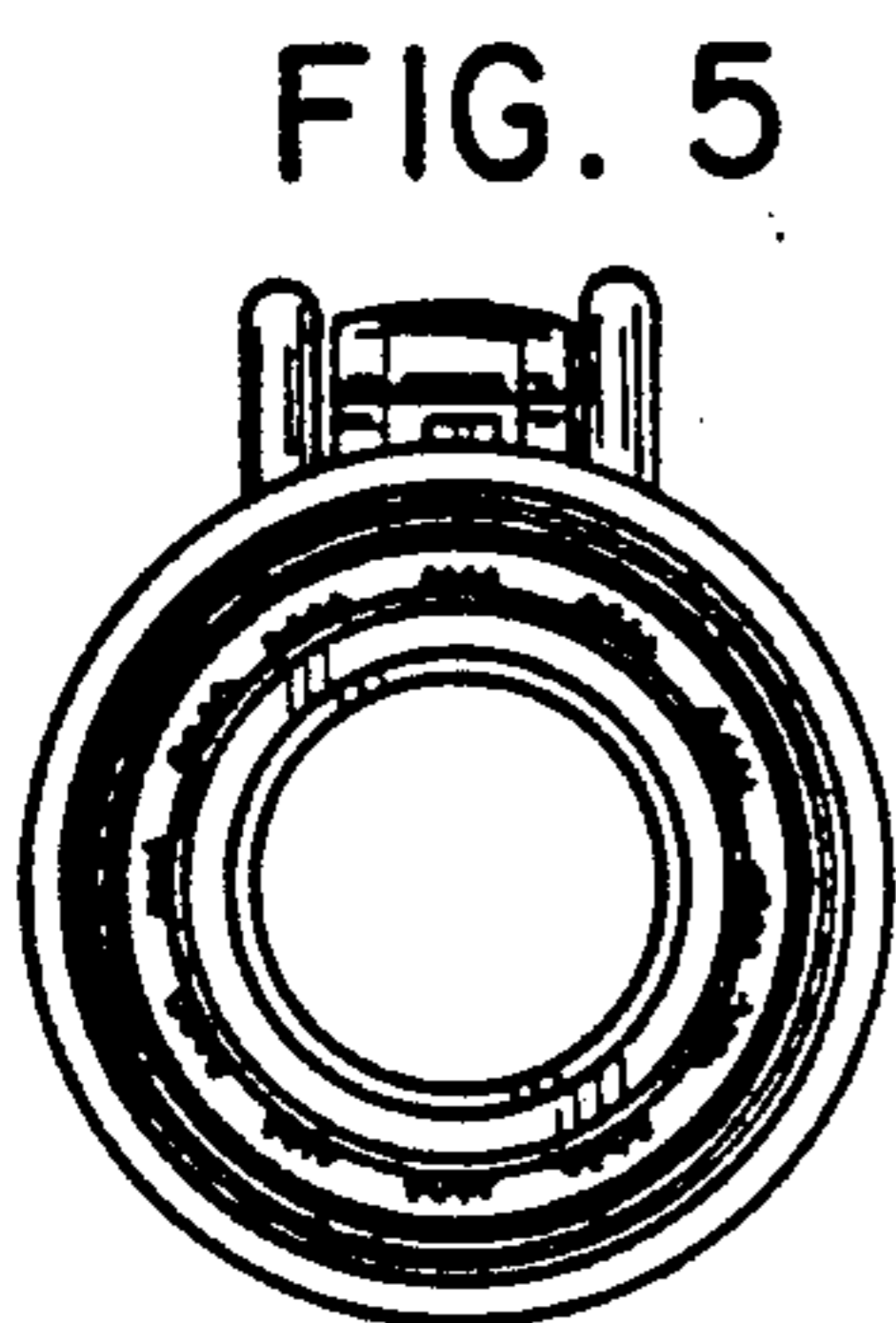
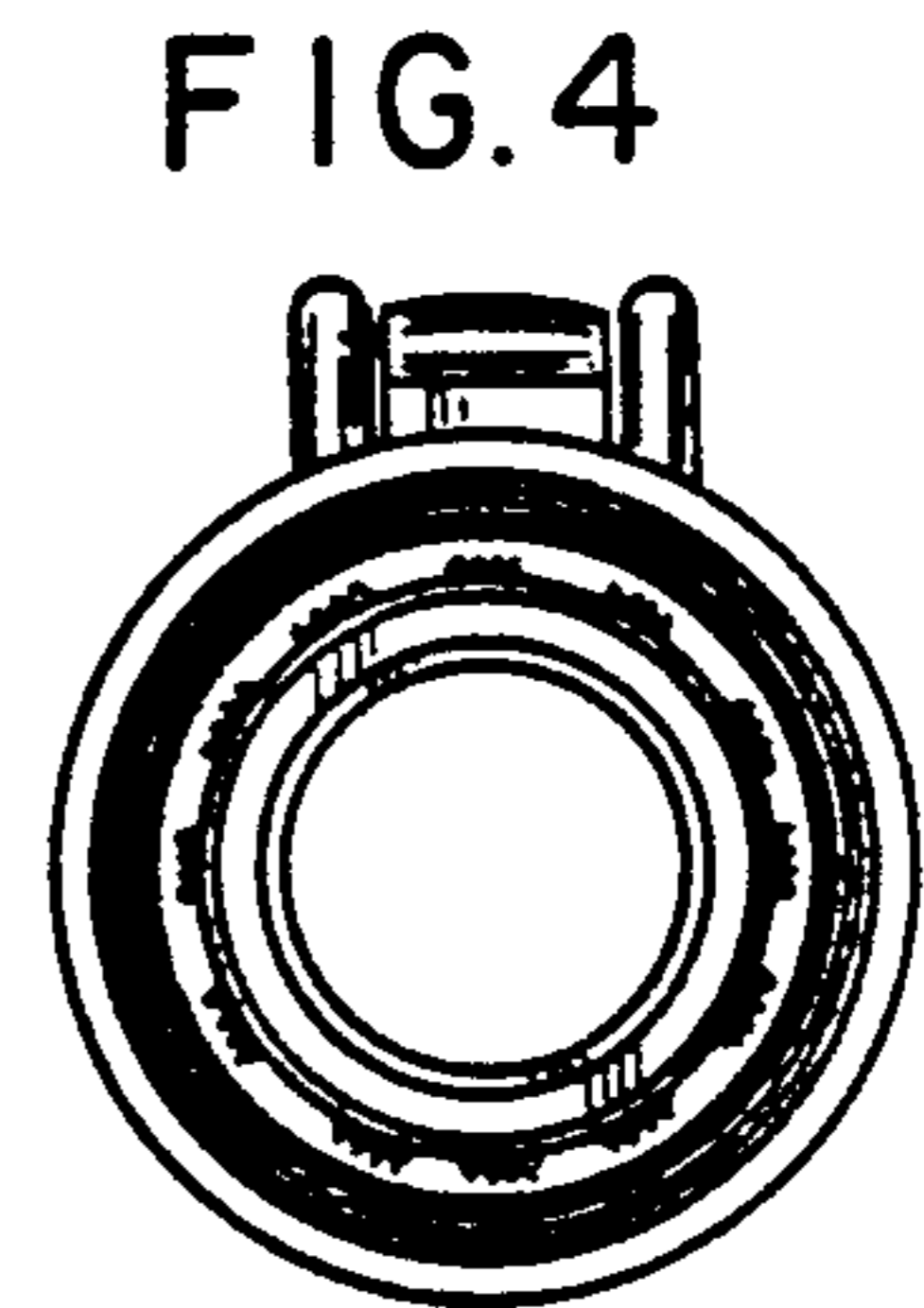
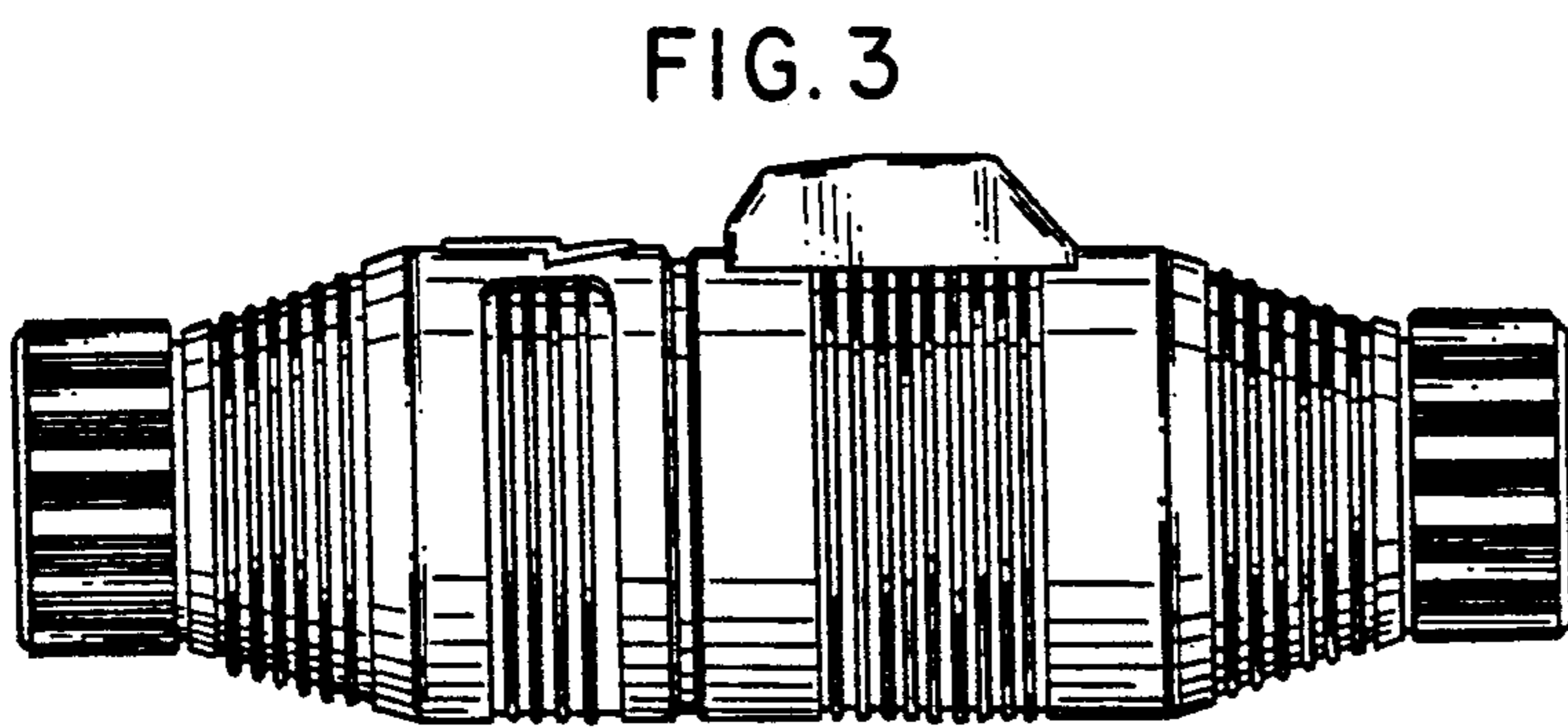
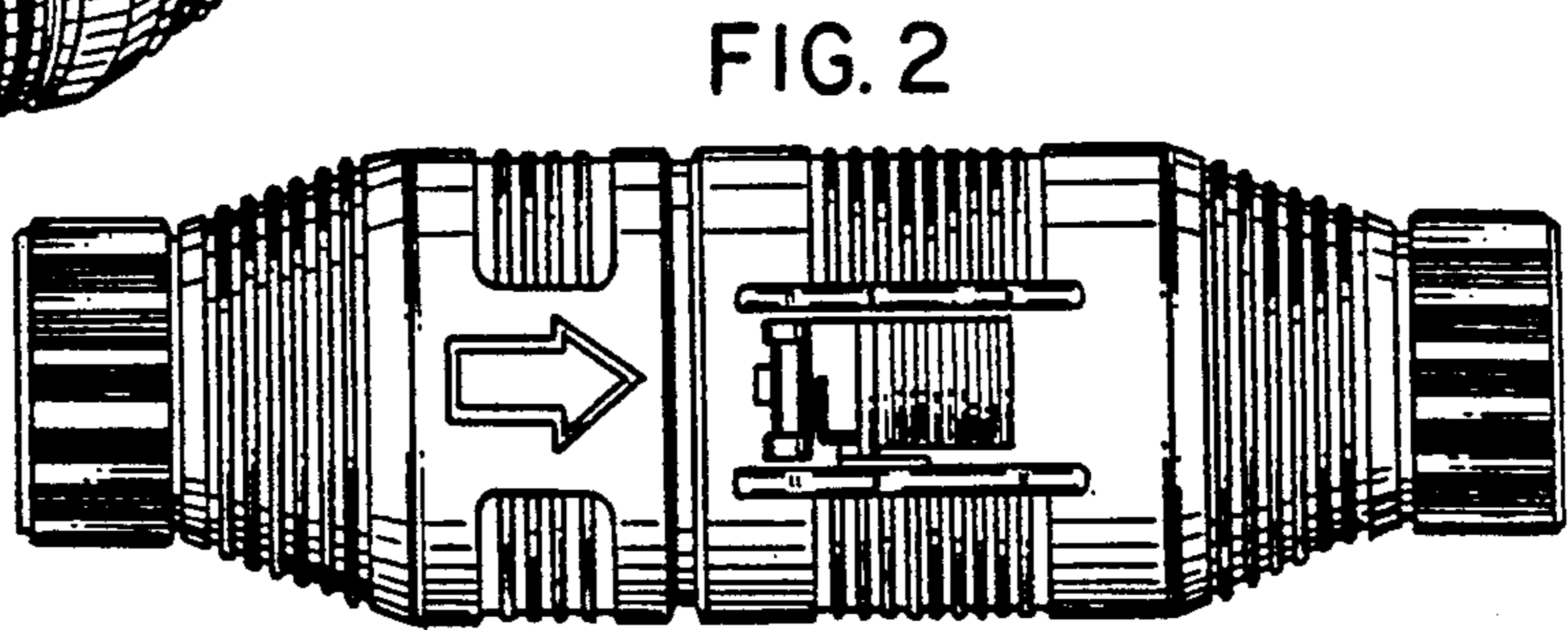
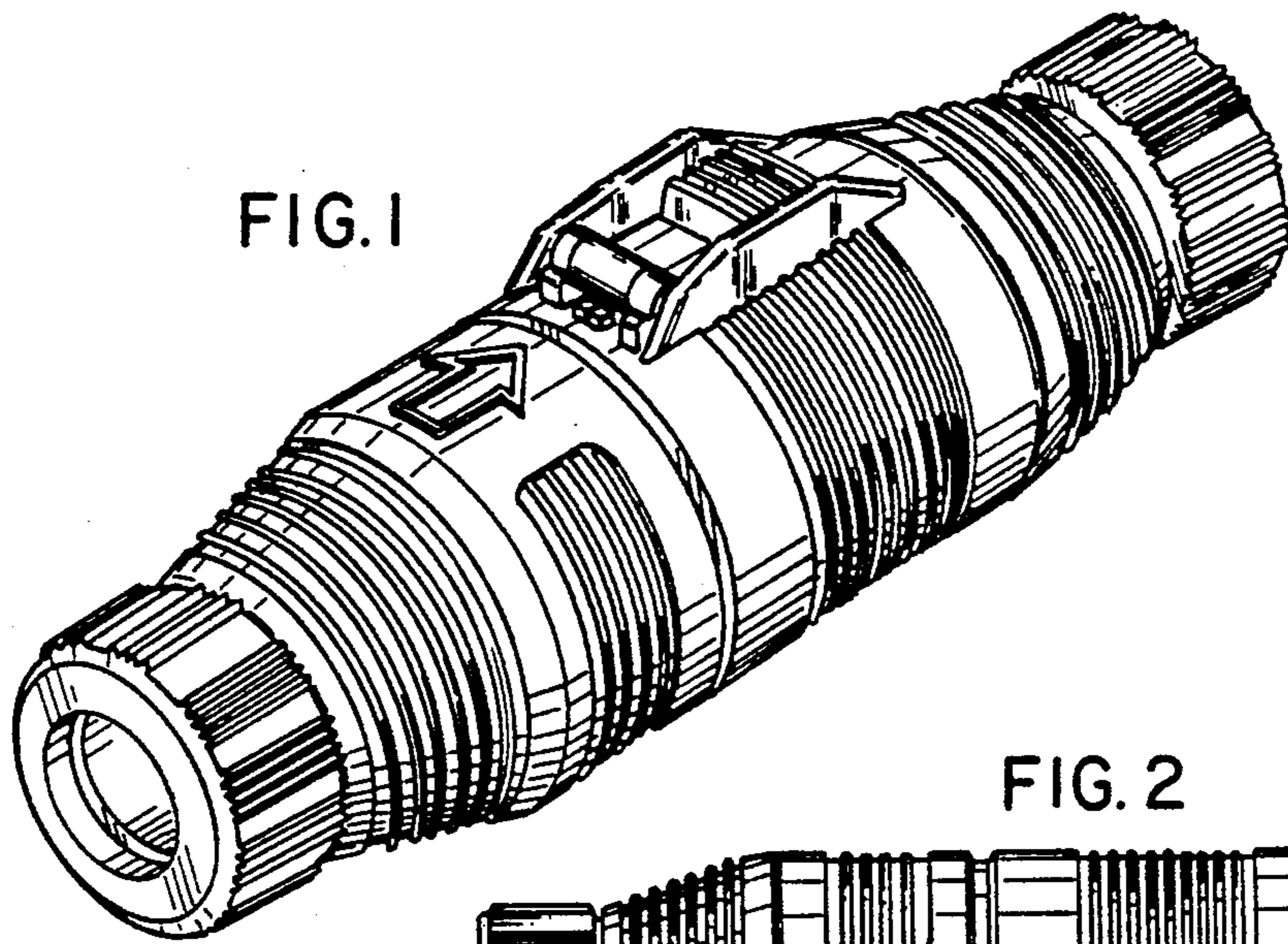


FIG. 7

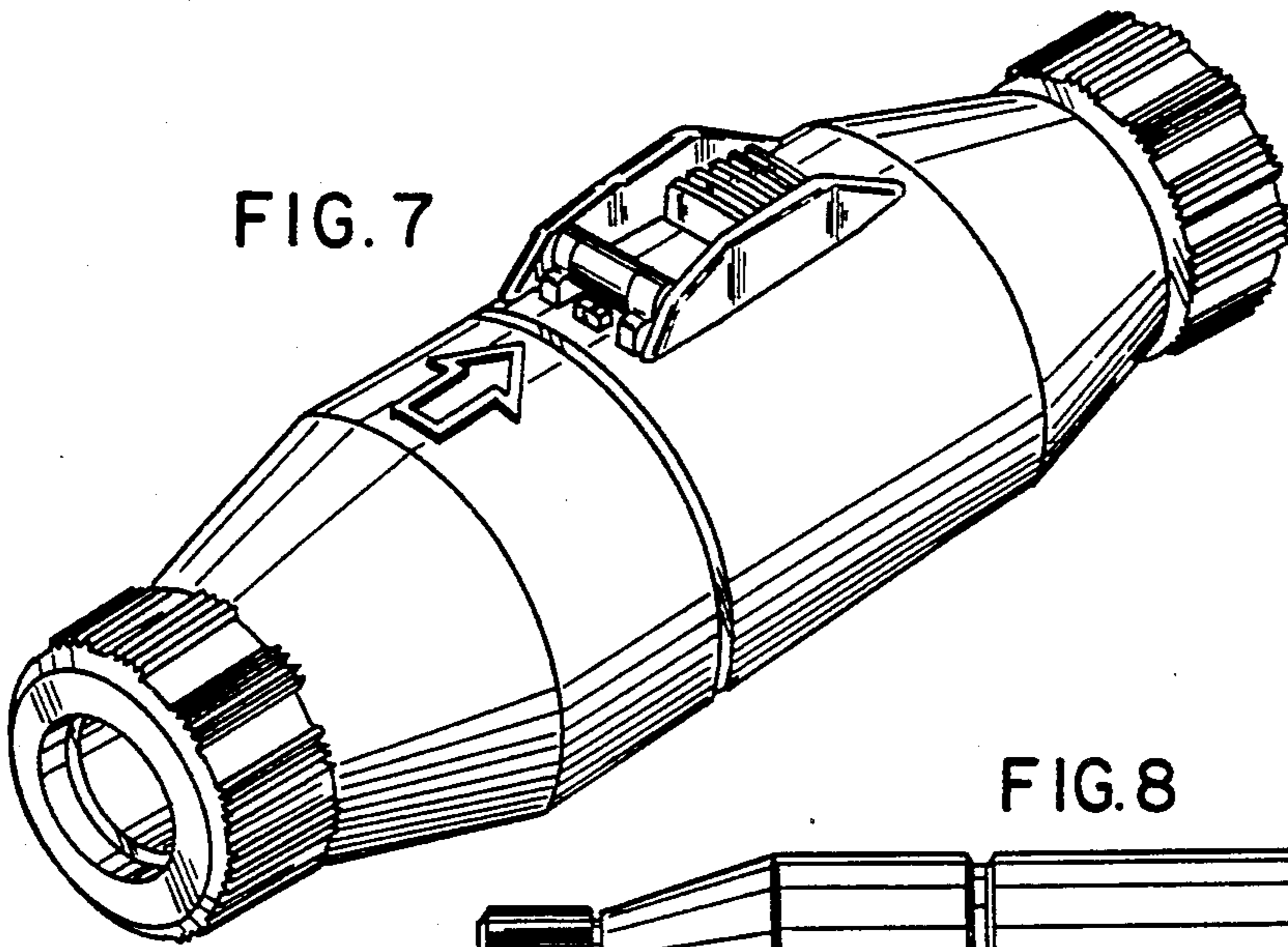


FIG. 8

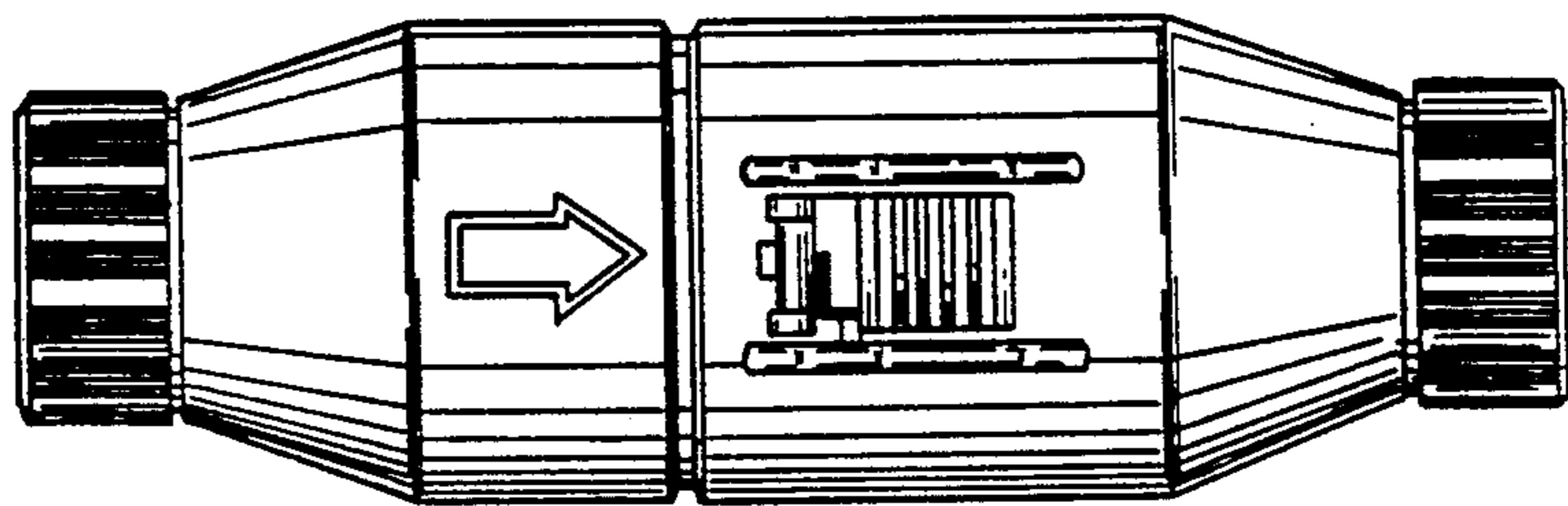


FIG. 9

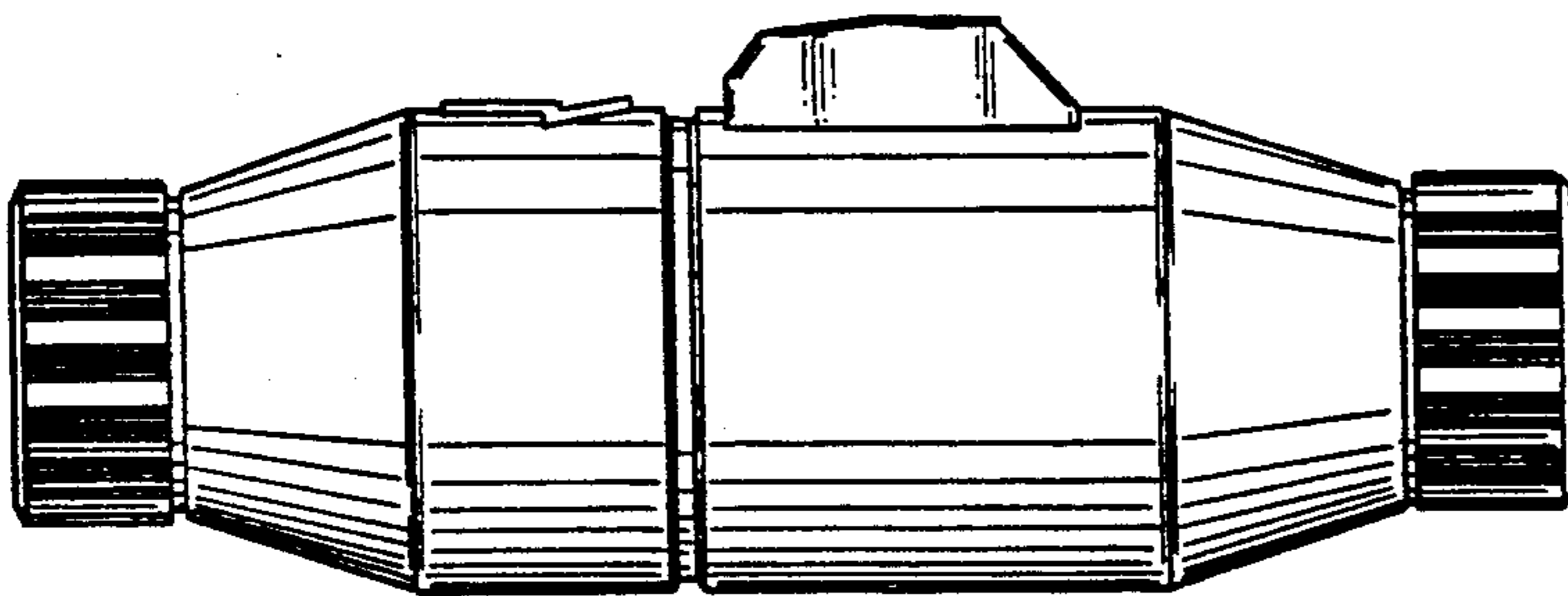


FIG. 10

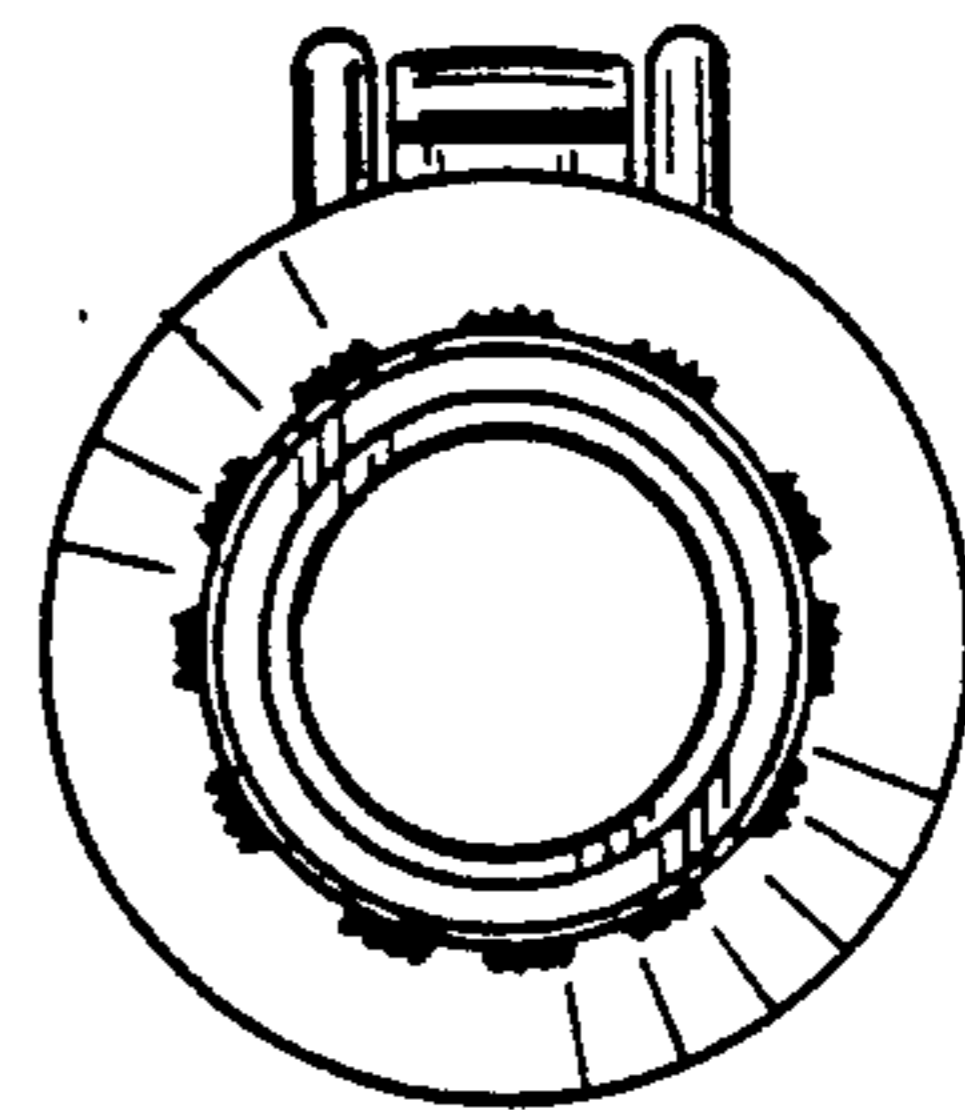


FIG. 11

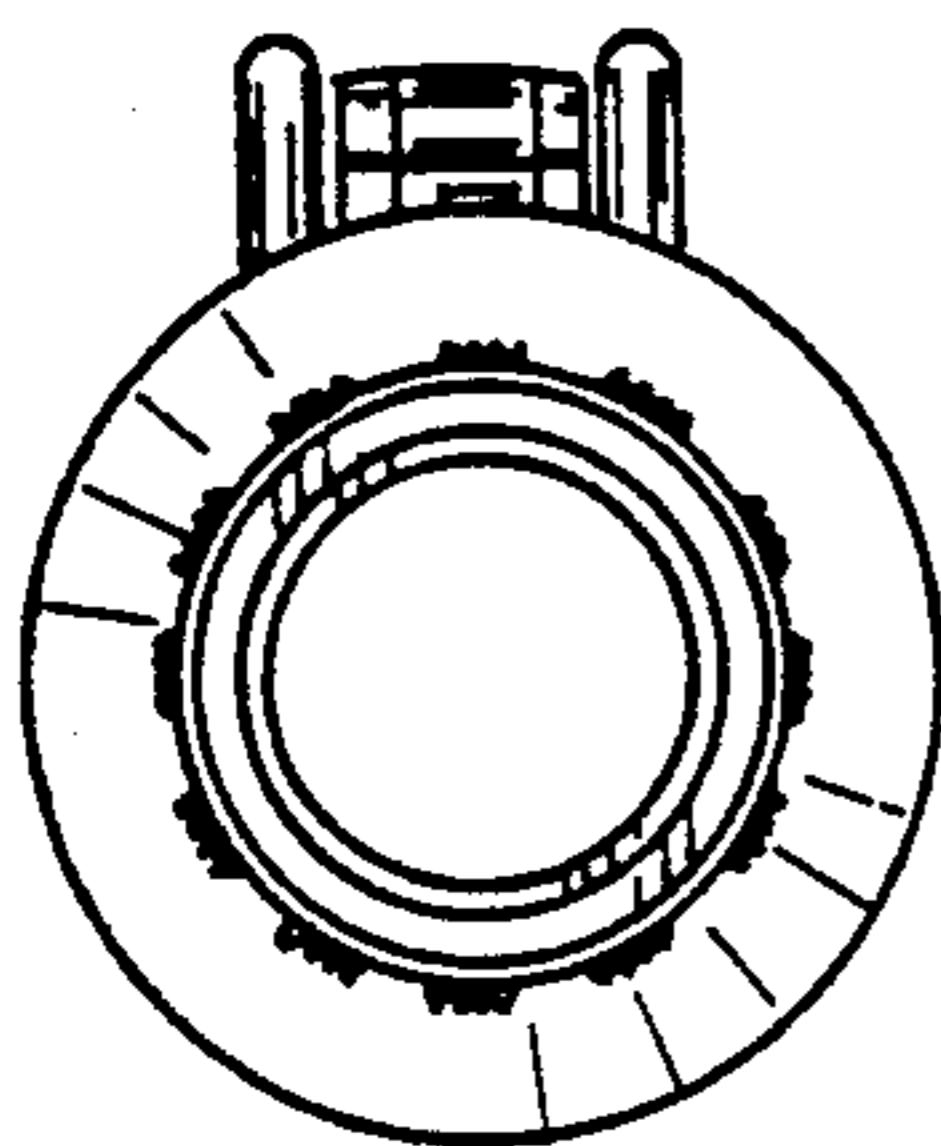


FIG. 12

