



US00D322953S

United States Patent [19]

Brown, Jr. et al.

[11] Patent Number: **Des. 322,953**

[45] Date of Patent: **** Jan. 7, 1992**

[54] **LOAD CENTER POWER MODULE**

4,253,151 2/1981 Bouve 364/492 X
4,335,437 6/1982 Wilson et al. 364/492 X

[75] Inventors: **Robert J. Brown, Jr.**, Boca Raton, Fla.; **Bahattin Erturk**, Rollingmeadows, Ill.

FOREIGN PATENT DOCUMENTS

1232222 1/1967 Fed. Rep. of Germany 361/331

[73] Assignee: **Square D Company**, Palatine, Ill.

Primary Examiner—Susan J. Lucas
Assistant Examiner—Joel Sincavage
Attorney, Agent, or Firm—Jose W. Jimenez; Robert J. Crawford

[*] Notice: The portion of the term of this patent subsequent to Dec. 10, 2005 has been disclaimed.

[**] Term: **14 Years**

[57] CLAIM

[21] Appl. No.: **257,293**

The ornamental design for a load center power module, as shown and described.

[22] Filed: **Oct. 13, 1988**

DESCRIPTION

[52] U.S. Cl. **D13/123**

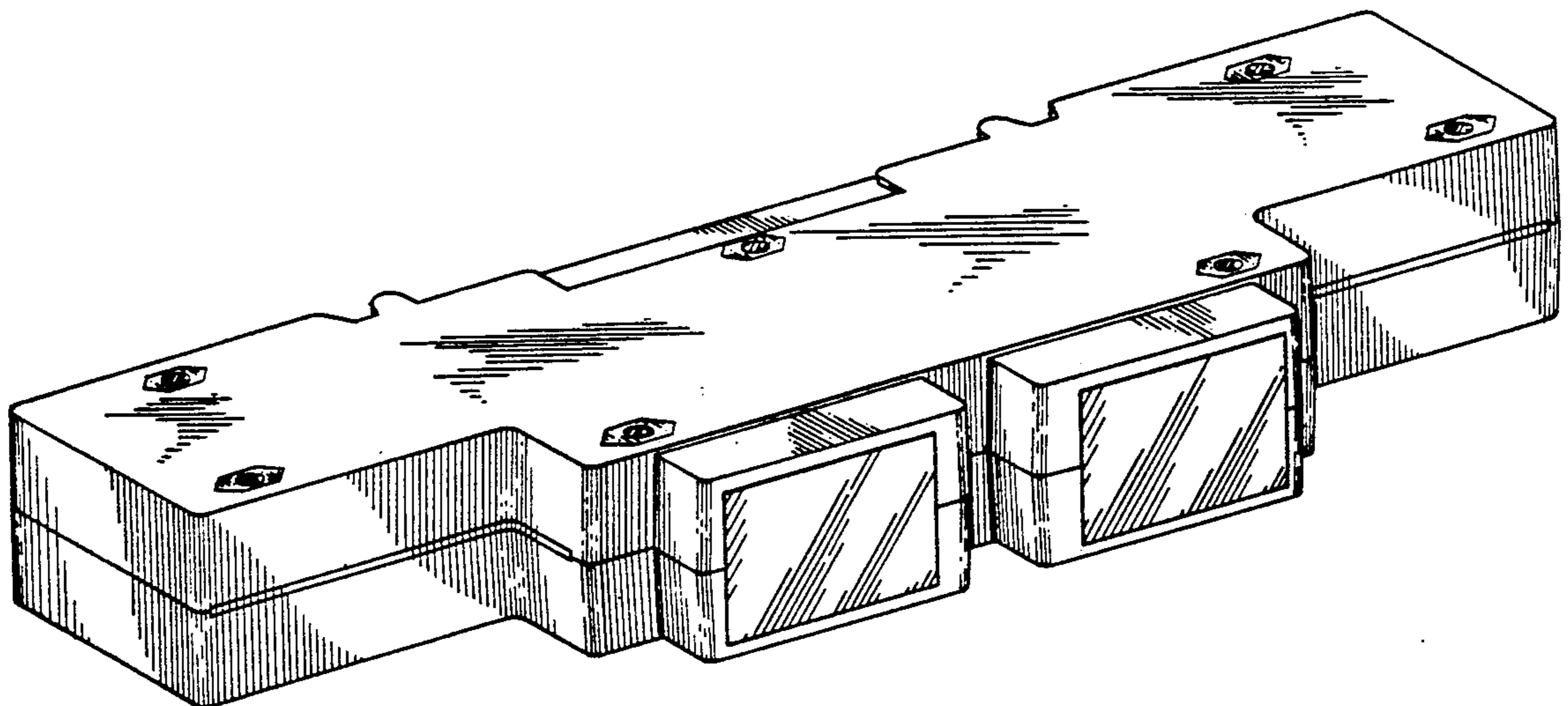
[58] Field of Search D13/8, 10, 4; 310/50; 174/52.1; 320/27; 361/428, 331, 344, 346; 429/48, 54, 96, 97, 99, 121, 122, 160, 163, 176, 178, 187; 364/492

FIG. 1 is a top, left and front perspective view of the load center power module showing the new design; FIG. 2 is a bottom, right and back perspective view thereof; FIG. 3 is a front elevational view thereof; FIG. 4 is a back elevational view thereof; FIG. 5 is a top view thereof, which is identical to the bottom view thereof; and FIG. 6 is a right side elevational view thereof, which is identical to the left side elevational view thereof.

[56] References Cited

U.S. PATENT DOCUMENTS

3,171,568 3/1965 Arwine 320/4
3,816,911 6/1974 Knappenberger 174/52.1 X



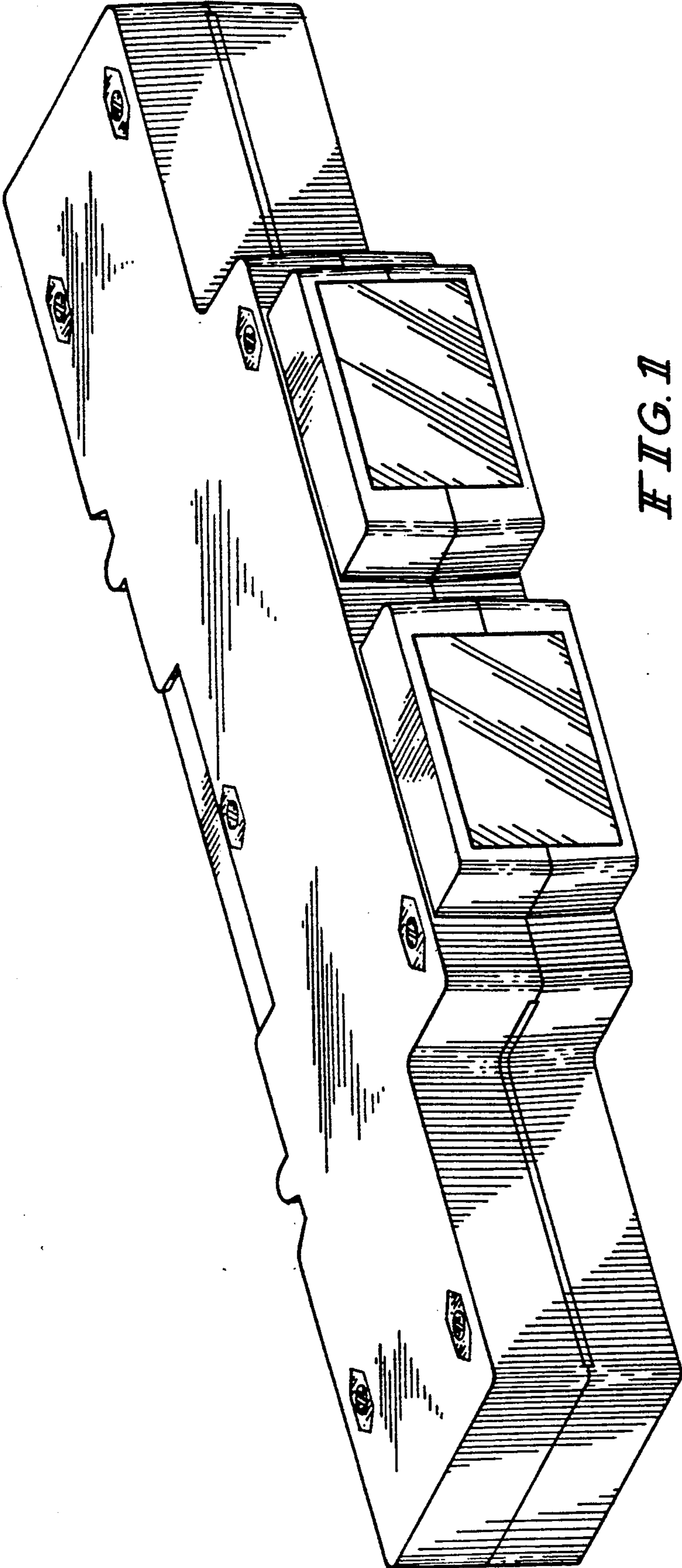


FIG. 1

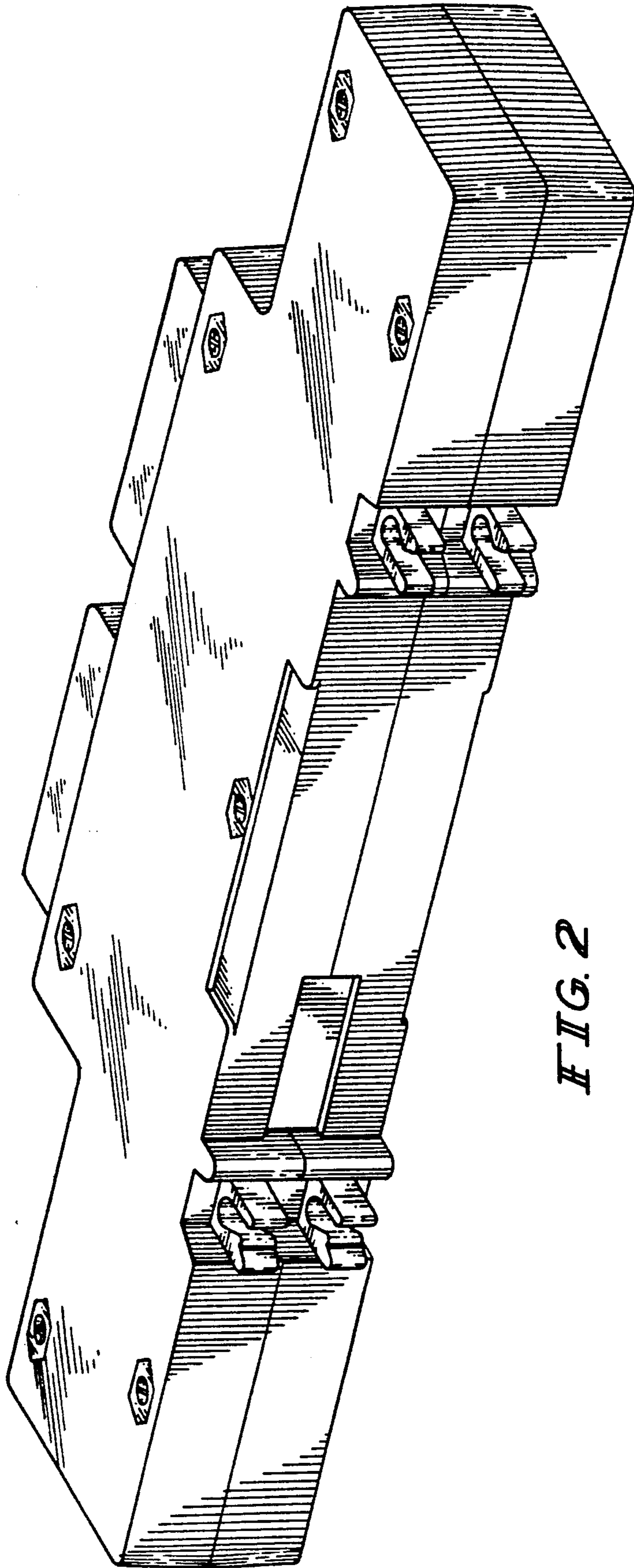


FIG. 2

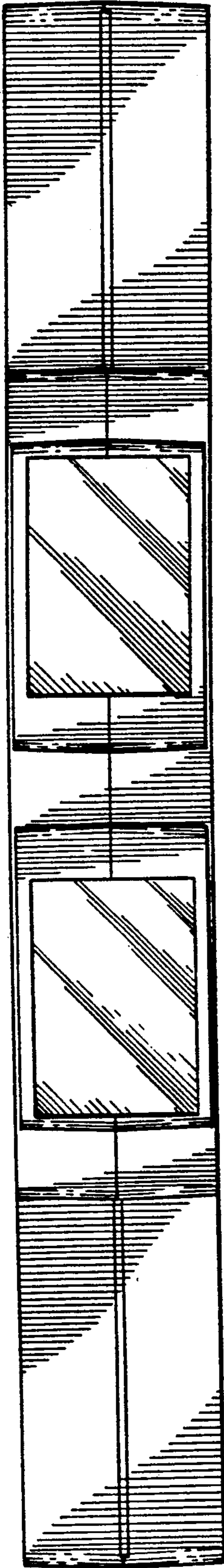


FIG. 3

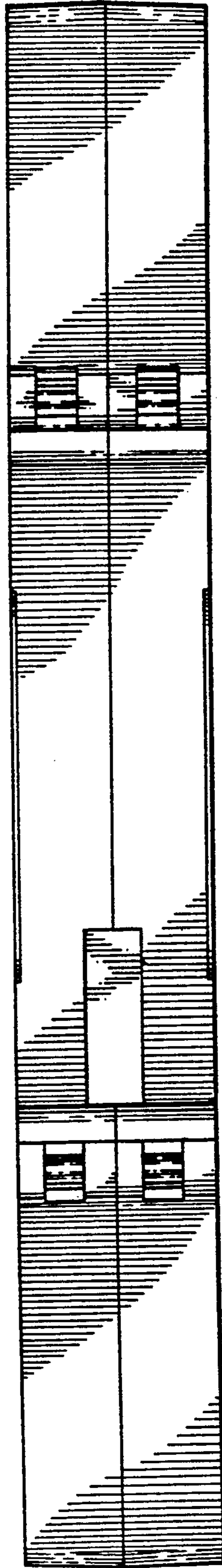


FIG. 4

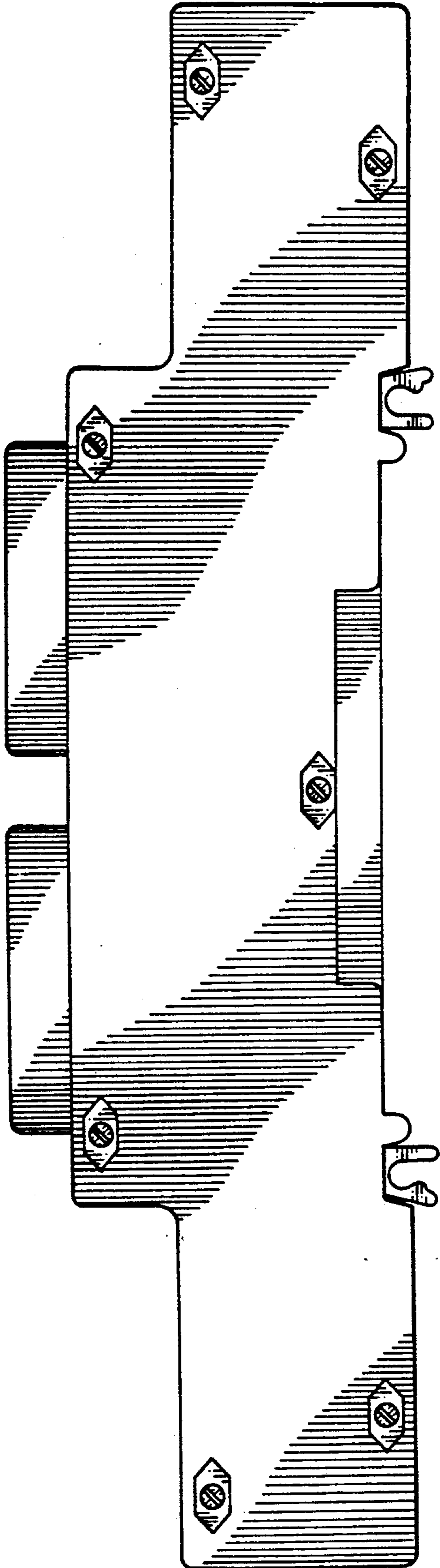


FIG. 5

FIG. 6

