



US00D322949S

United States Patent [19]

[11] Patent Number: **Des. 322,949**

Friedrich

[45] Date of Patent: **** Jan. 7, 1992**

[54] **WHEELCHAIR FRAME**

[75] Inventor: **Paul H. Friedrich, Camarillo, Calif.**

[73] Assignee: **Everest & Jennings, Inc., Camarillo, Calif.**

[**] Term: **14 Years**

[21] Appl. No.: **433,379**

[22] Filed: **Nov. 7, 1989**

[52] U.S. Cl. **D12/133; D12/131**

[58] Field of Search **D12/128, 129, 131, 133; 280/250.1, 642, 647; 297/DIG. 4**

[56] **References Cited**

U.S. PATENT DOCUMENTS

D. 306,712	3/1990	Friedrich	D12/131
4,592,570	6/1986	Nassiri	280/250.1
4,679,816	7/1987	Riikonen	280/250.1

FOREIGN PATENT DOCUMENTS

8501873	5/1985	World Int. Prop. O.	280/647
---------	--------	---------------------	-------	---------

Primary Examiner—Kay H. Chin

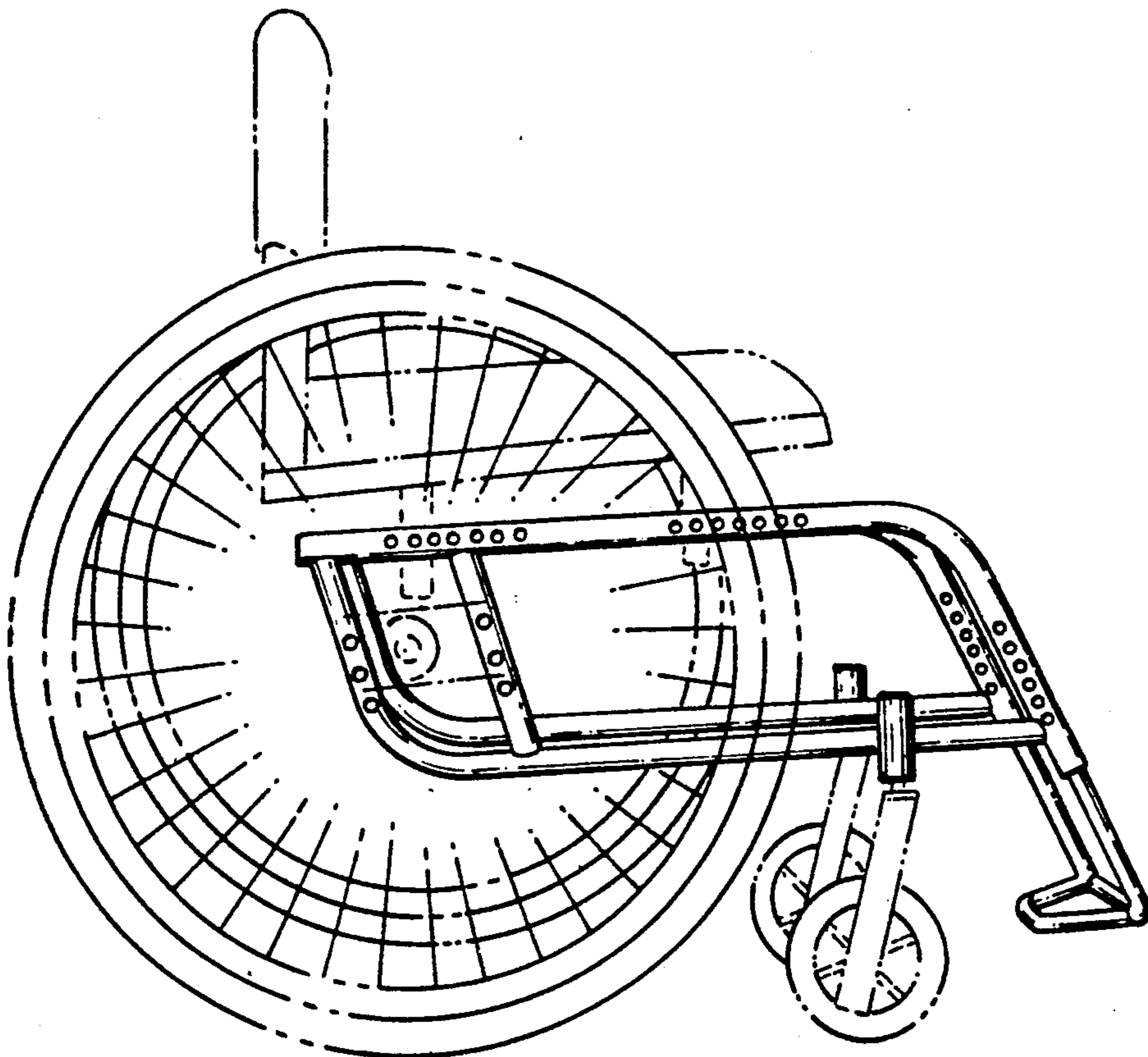
Attorney, Agent, or Firm—Kelly Bauersfeld & Lowry

[57] **CLAIM**

The ornamental design for a wheelchair frame, as shown and described.

DESCRIPTION

FIG. 1 is a right side perspective view of a wheelchair frame showing my new design, the dotted line depiction of wheels and seat being for illustrative purposes only; FIG. 2 is a right side elevation view thereof, the left side being a mirror image of the right side as shown; FIG. 3 is a top plan view thereof; FIG. 4 is a front elevation view thereof; FIG. 5 is a rear elevation view thereof; FIG. 6 is a bottom plan view thereof; FIG. 7 is a right side perspective view of a second embodiment of the wheelchair frame, the dotted line depiction of wheels and seat being for illustrative purposes only; FIG. 8 is a right side elevation view of FIG. 7, the left side being a mirror image of the right side as shown; FIG. 9 is a front elevation view of FIG. 7; FIG. 10 is a rear elevation view of FIG. 7; and FIG. 11 is a top plan view of FIG. 7.



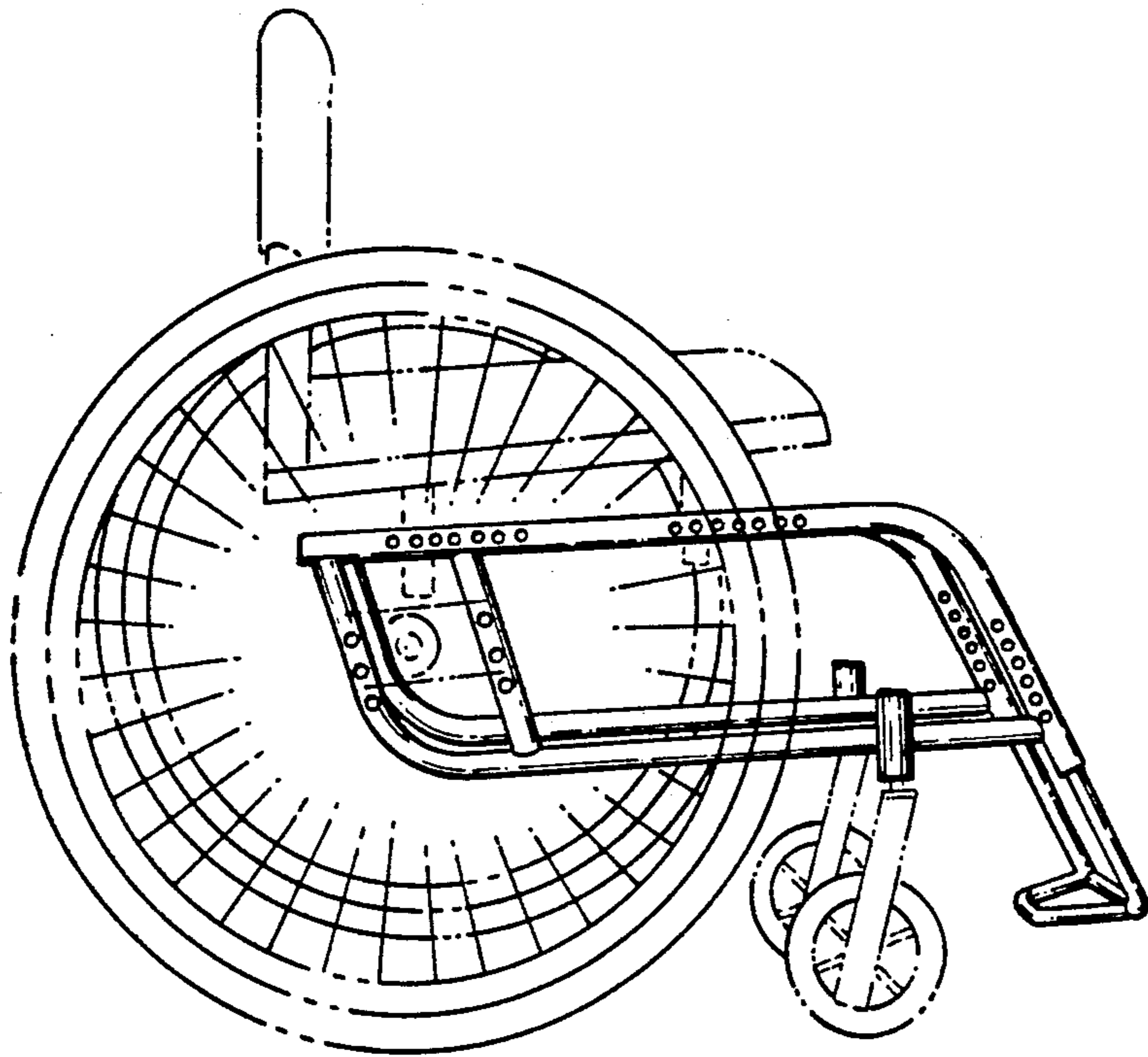


FIG. 1

FIG. 2

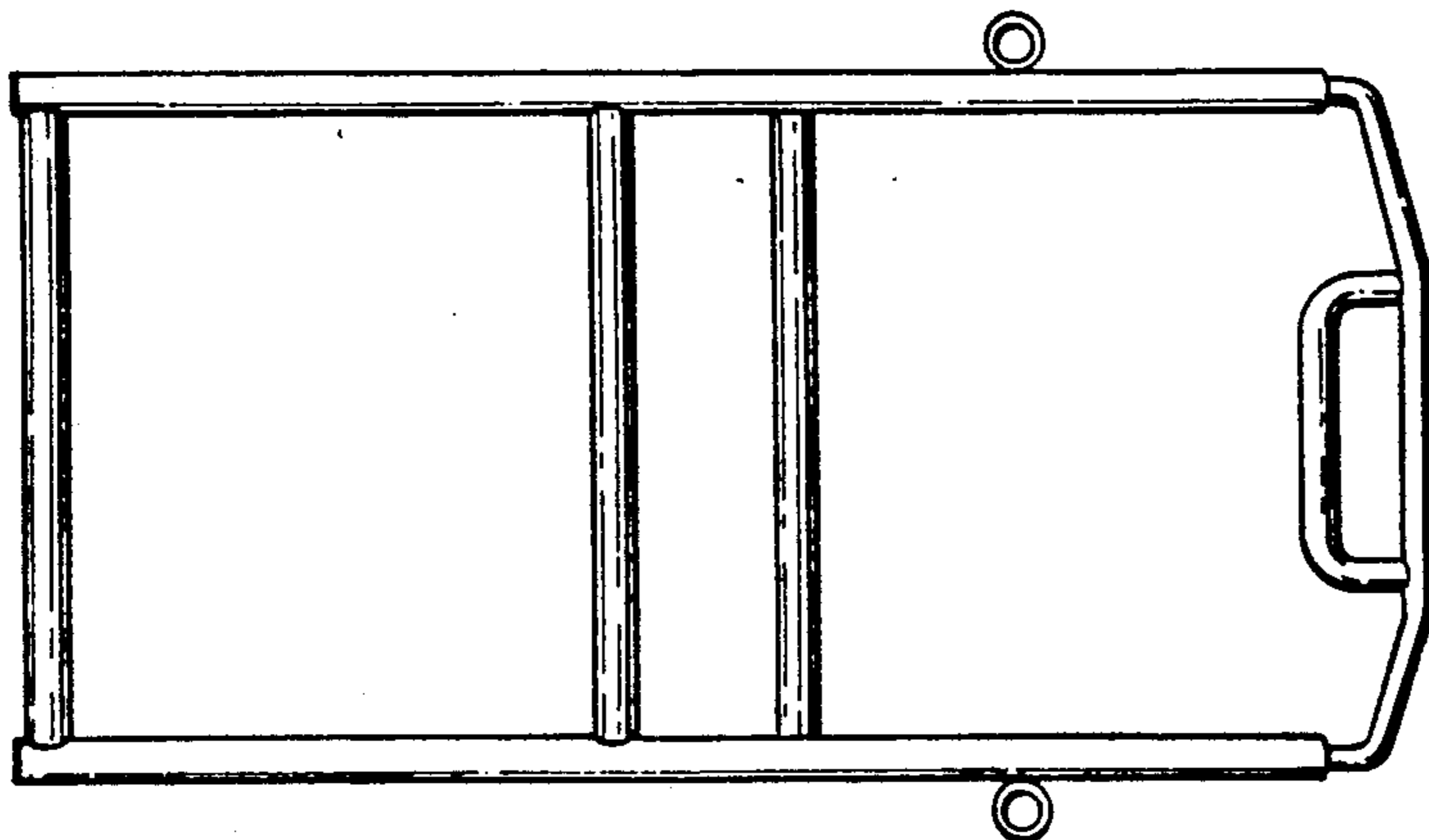
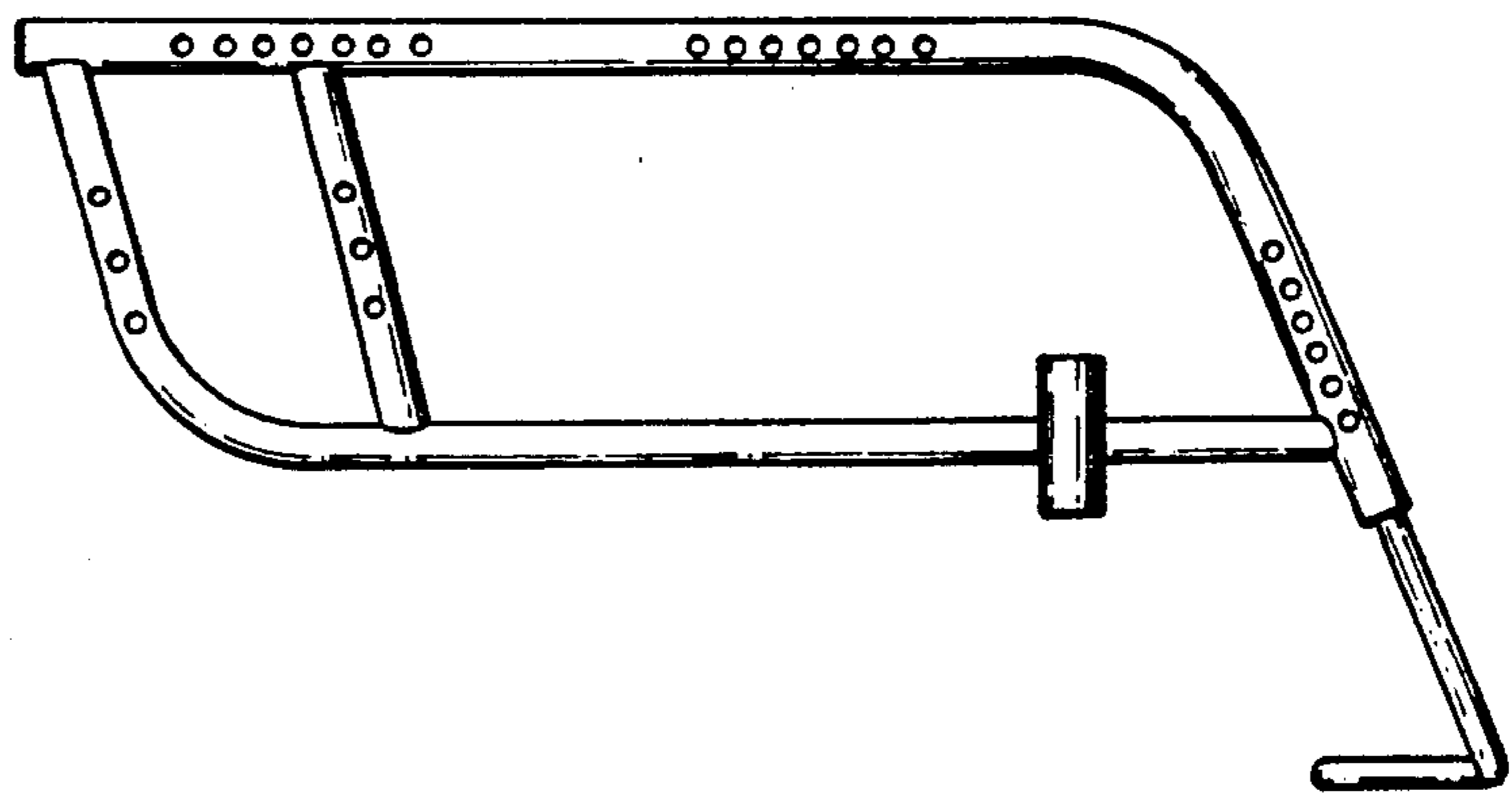


FIG. 3

FIG. 4

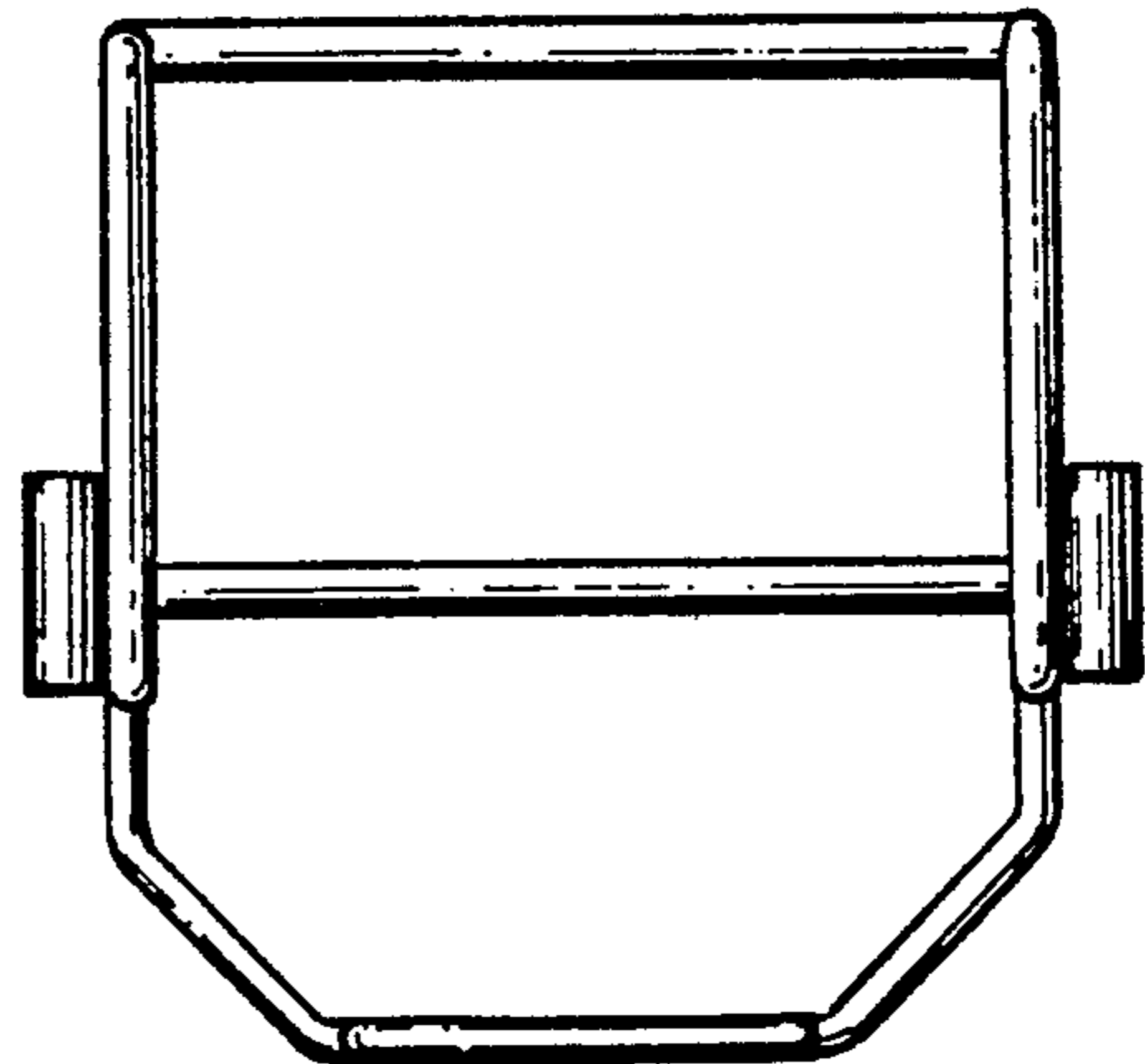
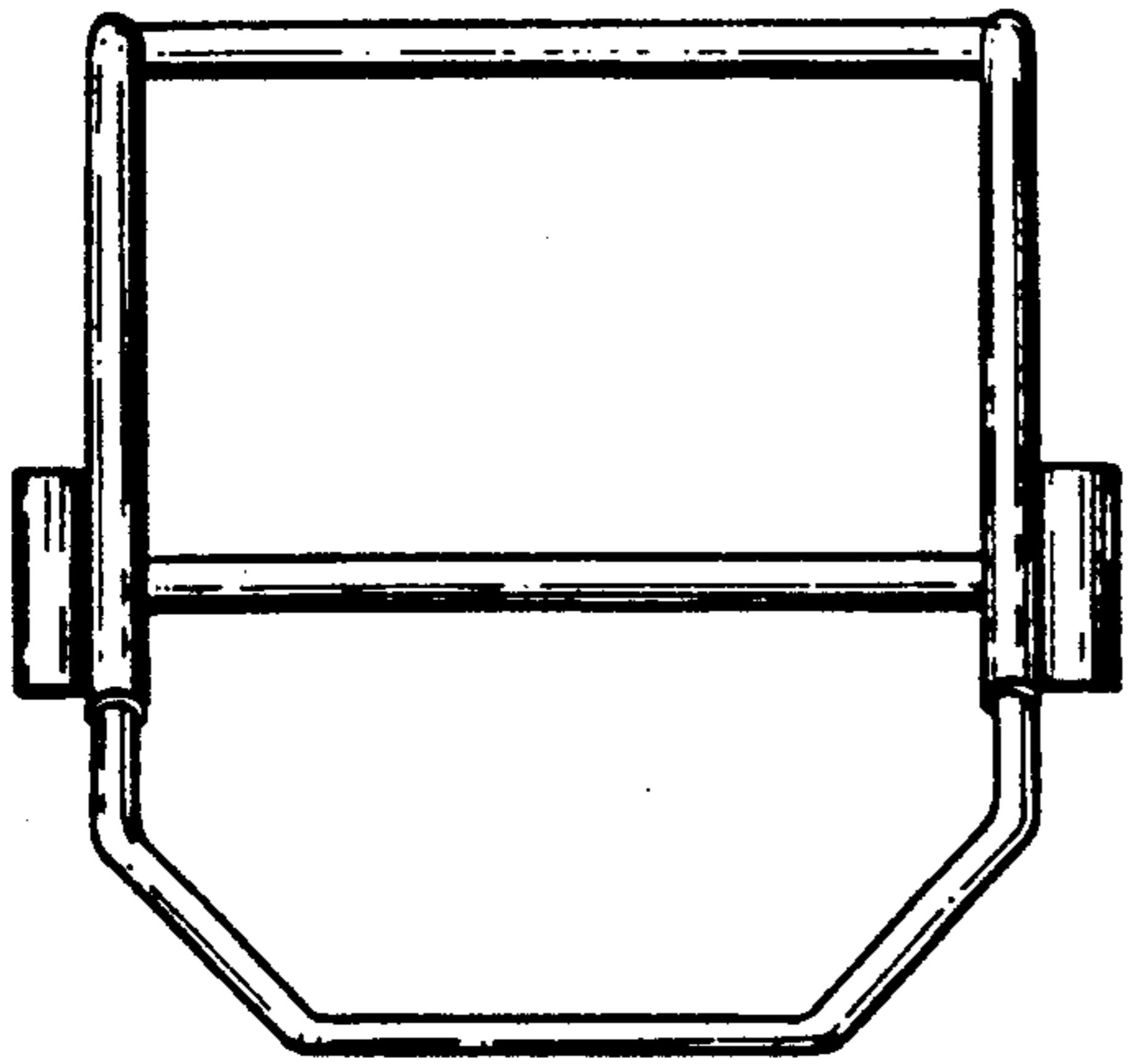


FIG. 5

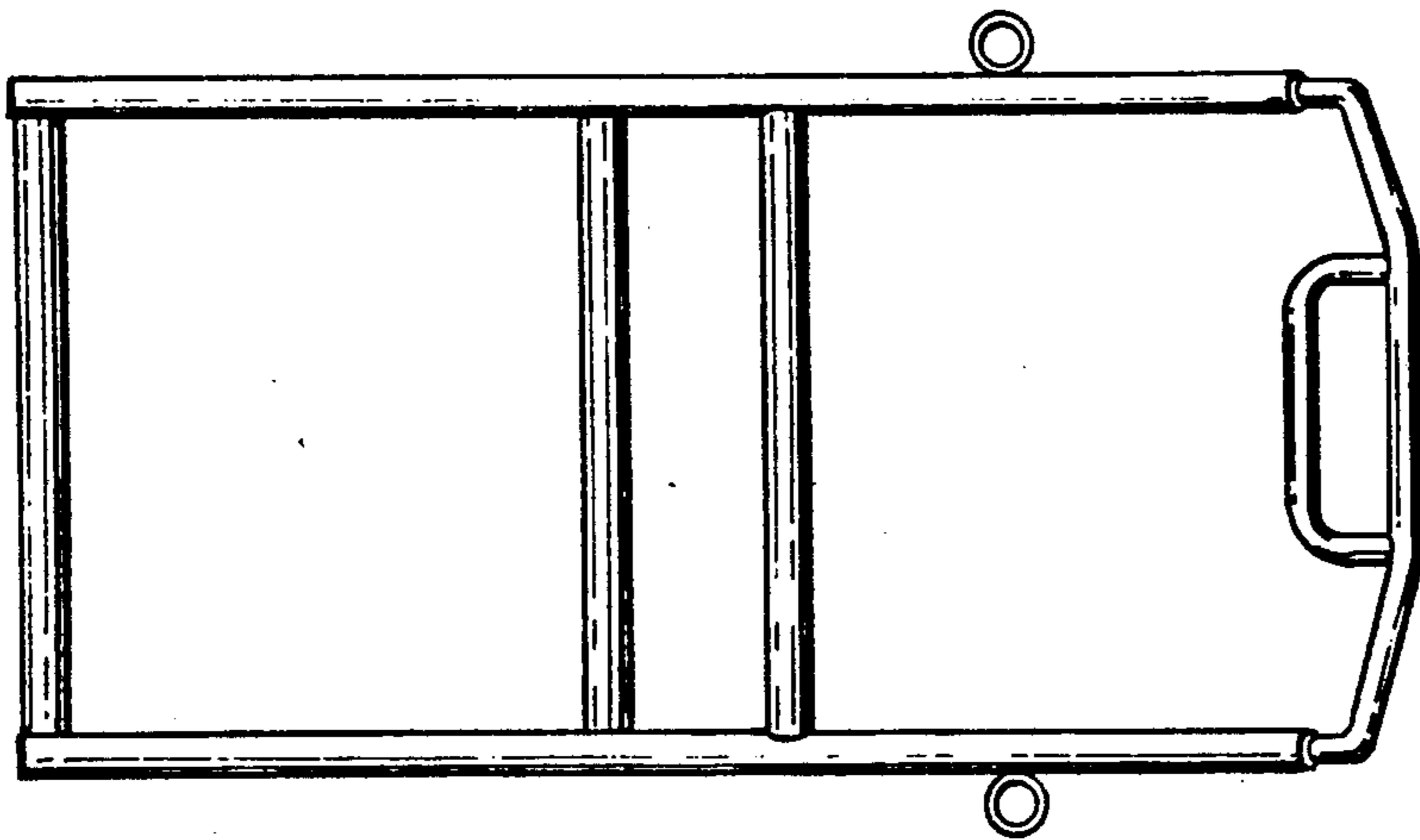


FIG. 6

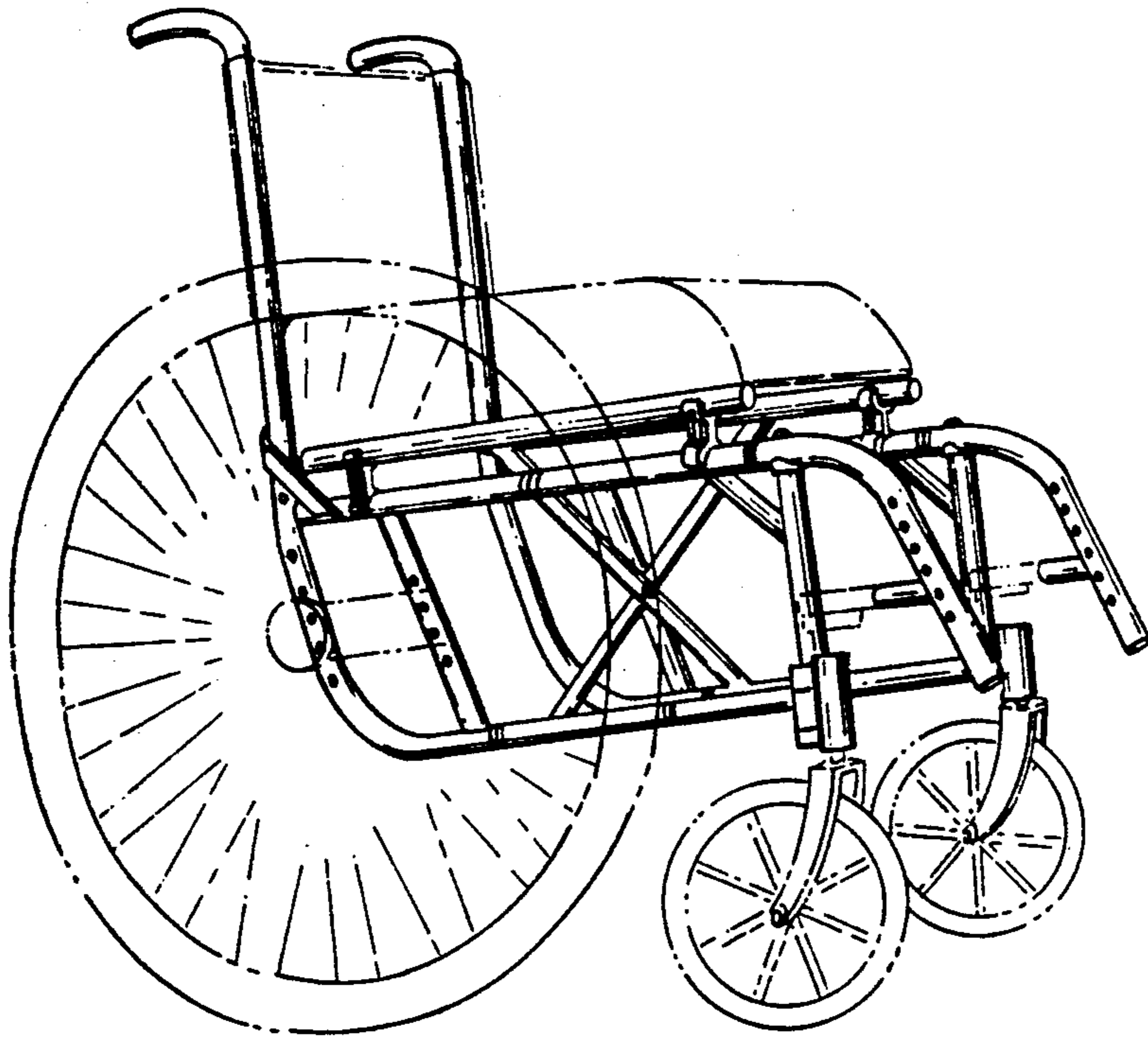


FIG. 7

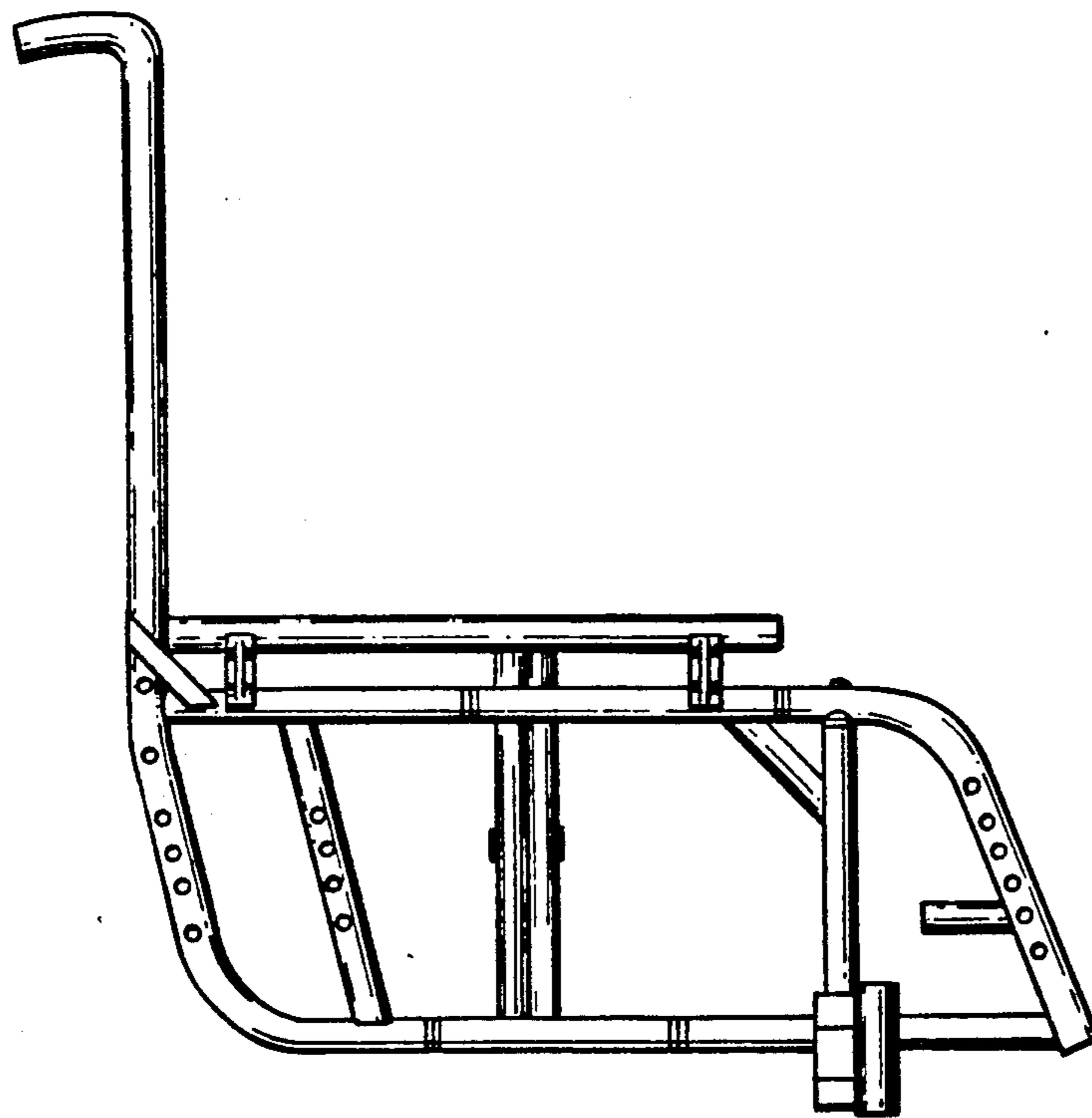


FIG. 8

FIG. 9

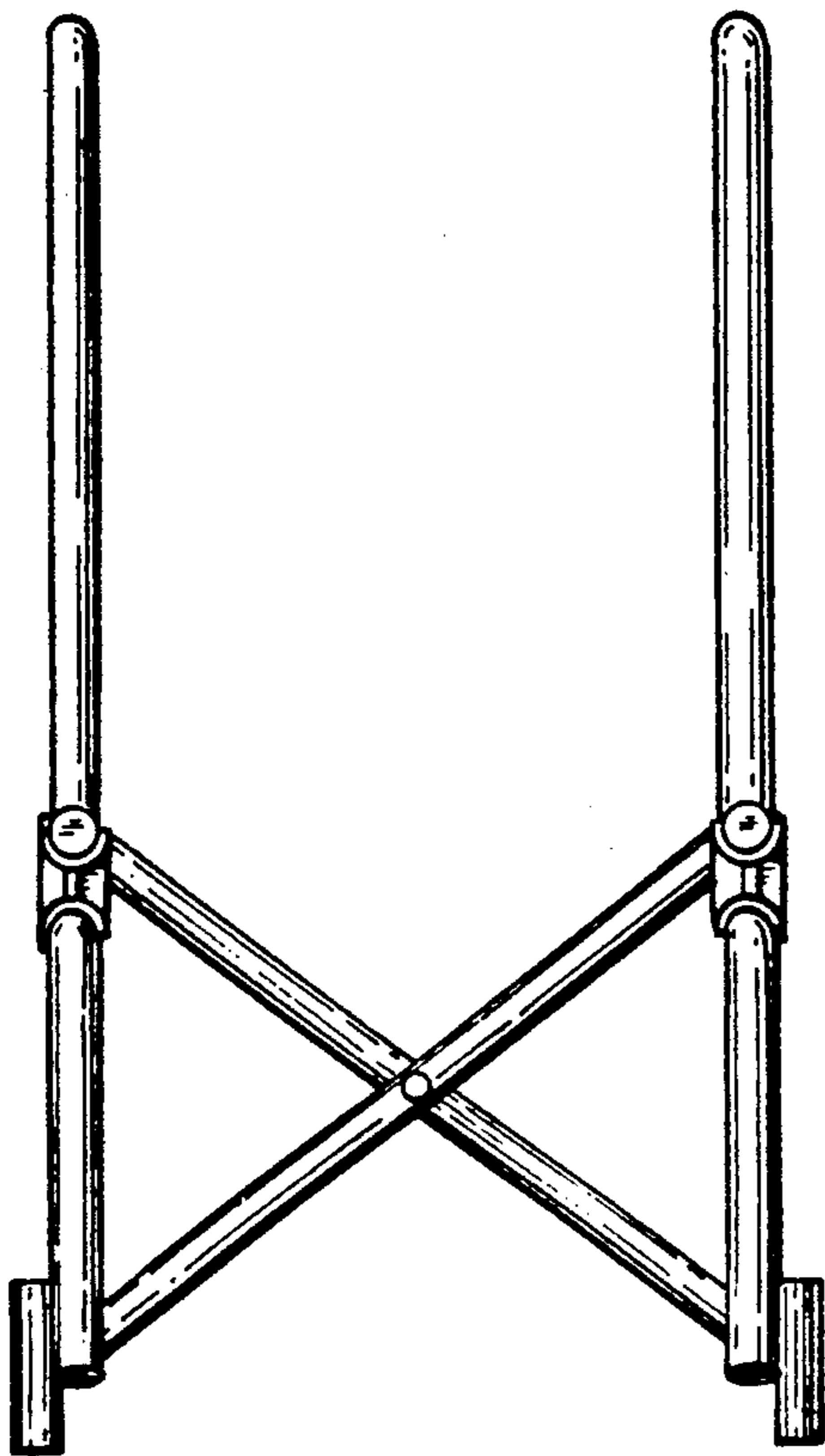


FIG. 10

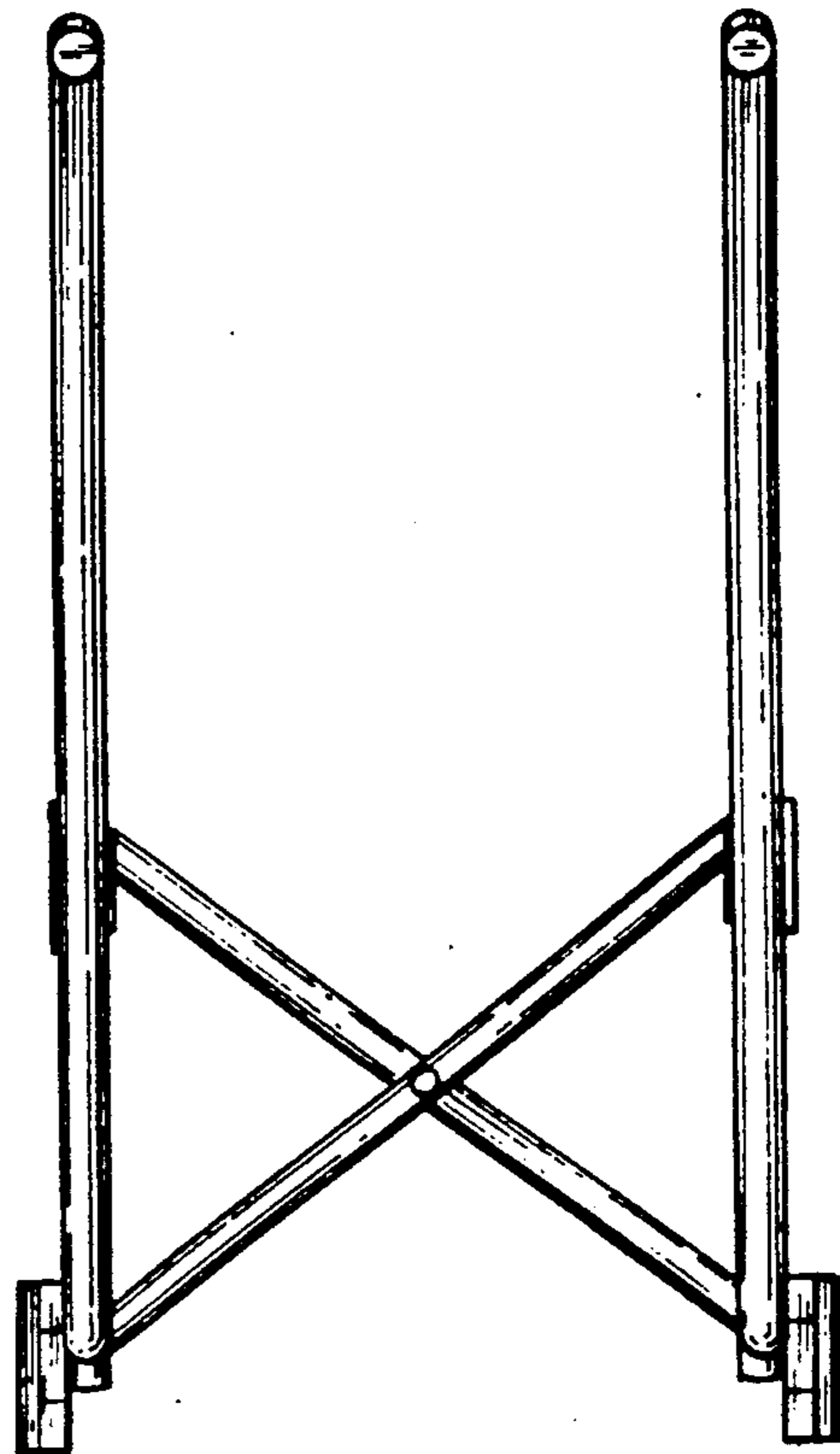


FIG. 11

