



US00D322945S

United States Patent [19]
Bean

[11] **Patent Number: Des. 322,945**
[45] **Date of Patent: ** Jan. 7, 1992**

[54] **TABLETOP NOVELTY**

[76] **Inventor: W. Edward Bean, 416 Powder Mill Rd., Nashville, Tenn. 37205**

[**] **Term: 14 Years**

[21] **Appl. No.: 345,560**

[22] **Filed: May 1, 1989**

[52] **U.S. Cl. D11/131; D19/97**

[58] **Field of Search D11/131, 157; D25/1, D25/17, 22, 29; D19/82, 96, 97**

OTHER PUBLICATIONS

Drive-In Restaurant Magazine, Nov. 1963; cover; Awning.

John Hassall Inc., catalog; 1941; p. 16; Flat Head Copper Nail.

Primary Examiner—Bernard Ansher

Assistant Examiner—Dominic Simone

Attorney, Agent, or Firm—Pitts and Brittan

[57] **CLAIM**

The ornamental design for a tabletop novelty, as shown.

DESCRIPTION

FIG. 1 is a right side view of a tabletop novelty showing my new design, the left side being a mirror image of the right side view;

FIG. 2 is a front view thereof, with the back view being a mirror image thereof;

FIG. 3 is a top view thereof; and

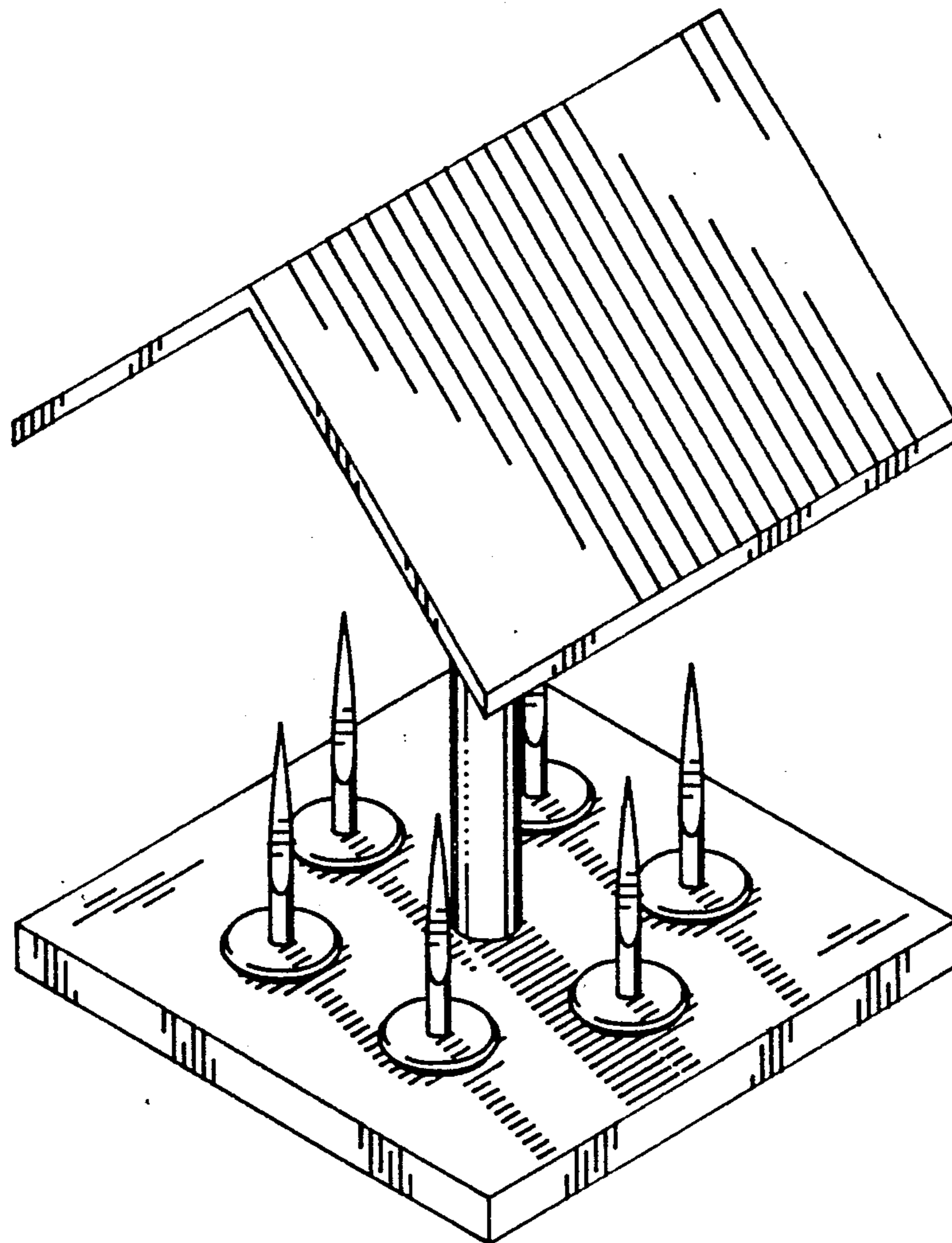
FIG. 4 is a bottom view thereof;

FIG. 5 is a top perspective view thereof.

[56] **References Cited**

U.S. PATENT DOCUMENTS

D. 252,077	6/1979	Hager	D11/157
D. 255,671	7/1980	Gwynn	D11/157
D. 258,053	1/1981	Roberts	D11/157
D. 279,559	7/1985	Bertrand	D11/157
D. 283,714	5/1986	Petroulias	D19/82 X
D. 284,313	6/1986	Sidney	D11/157 X
4,237,914	12/1980	Gantz	D25/1 X



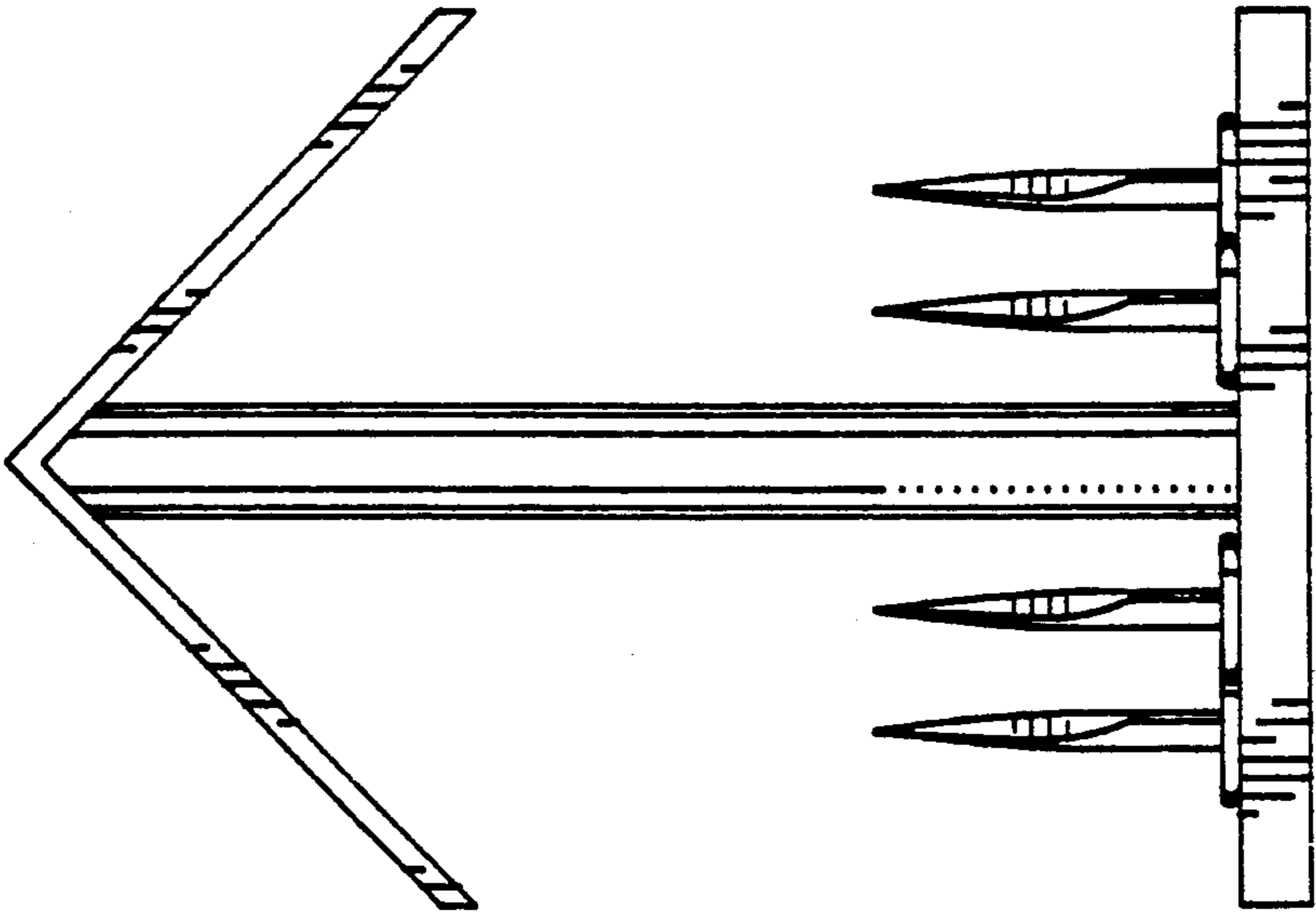


Fig. 1

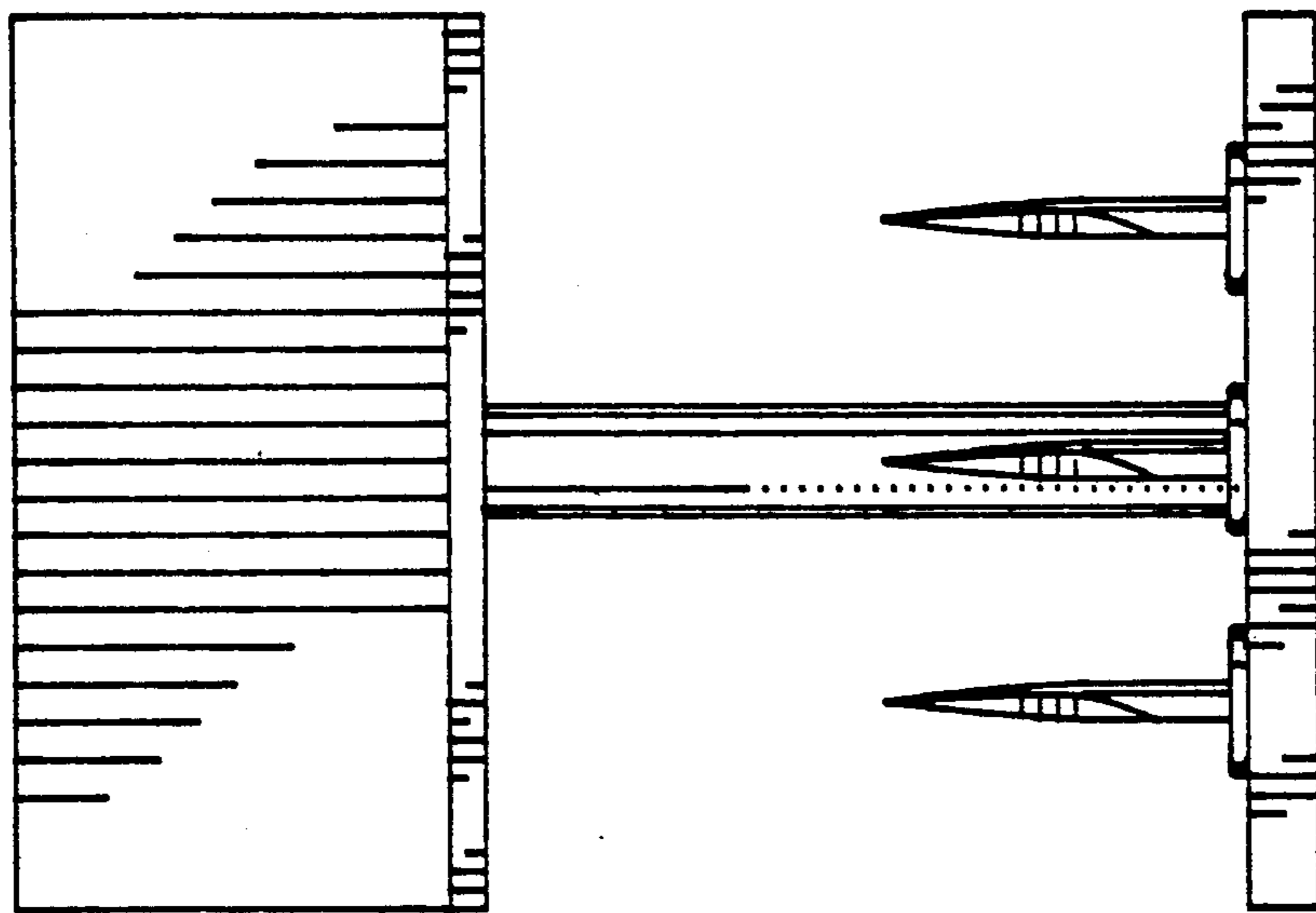


Fig. 2

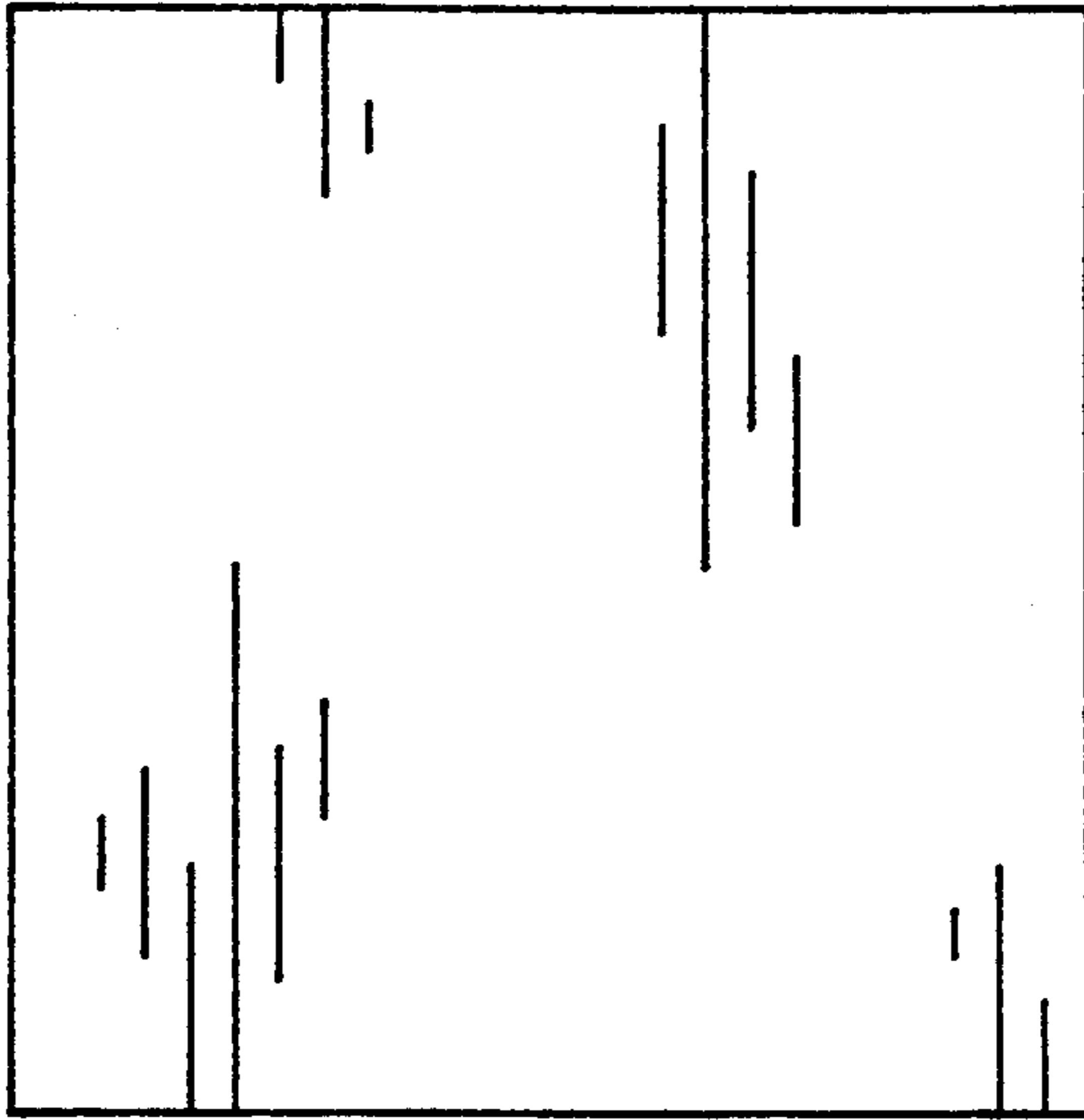


Fig. 4

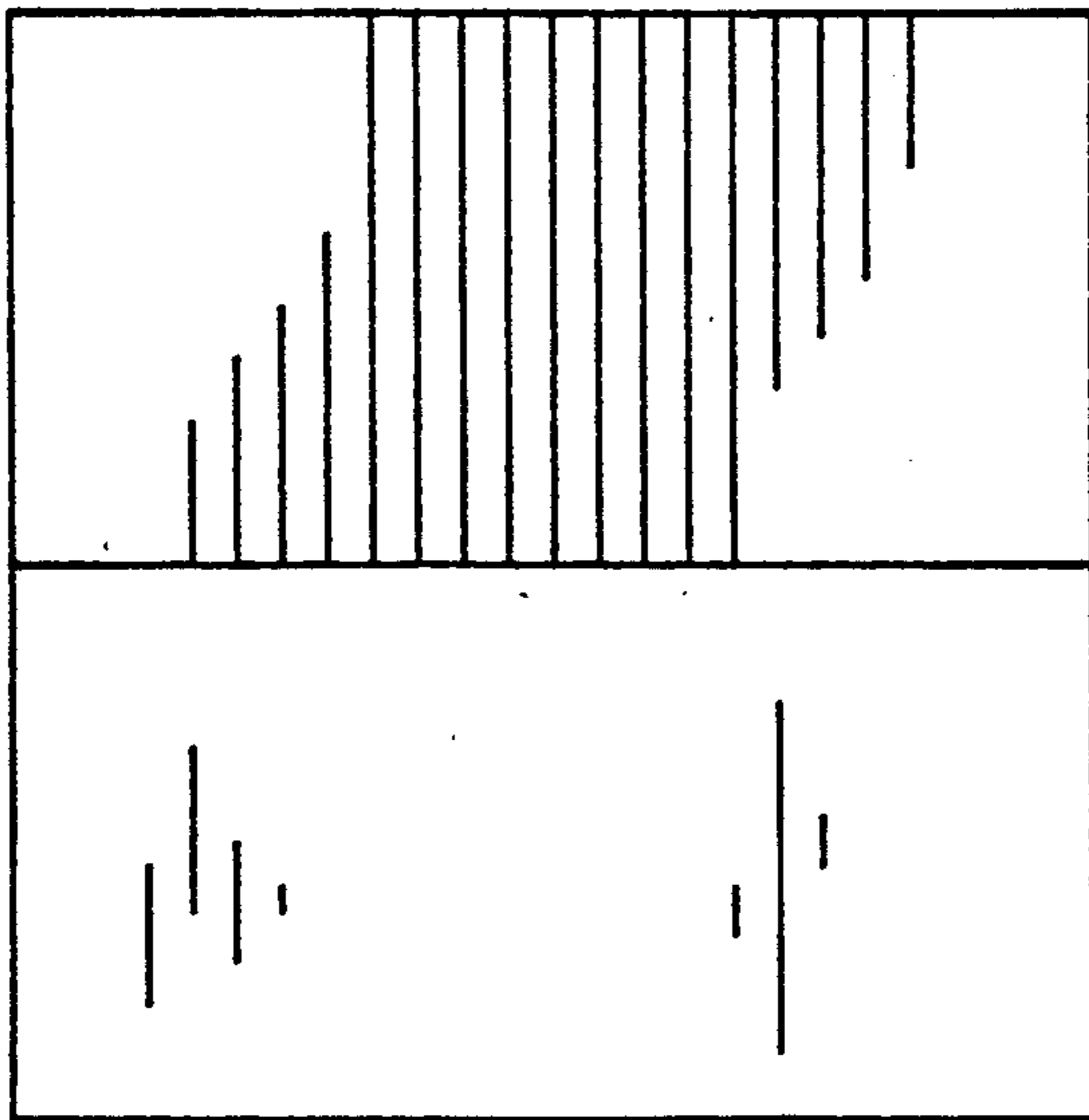


Fig. 3

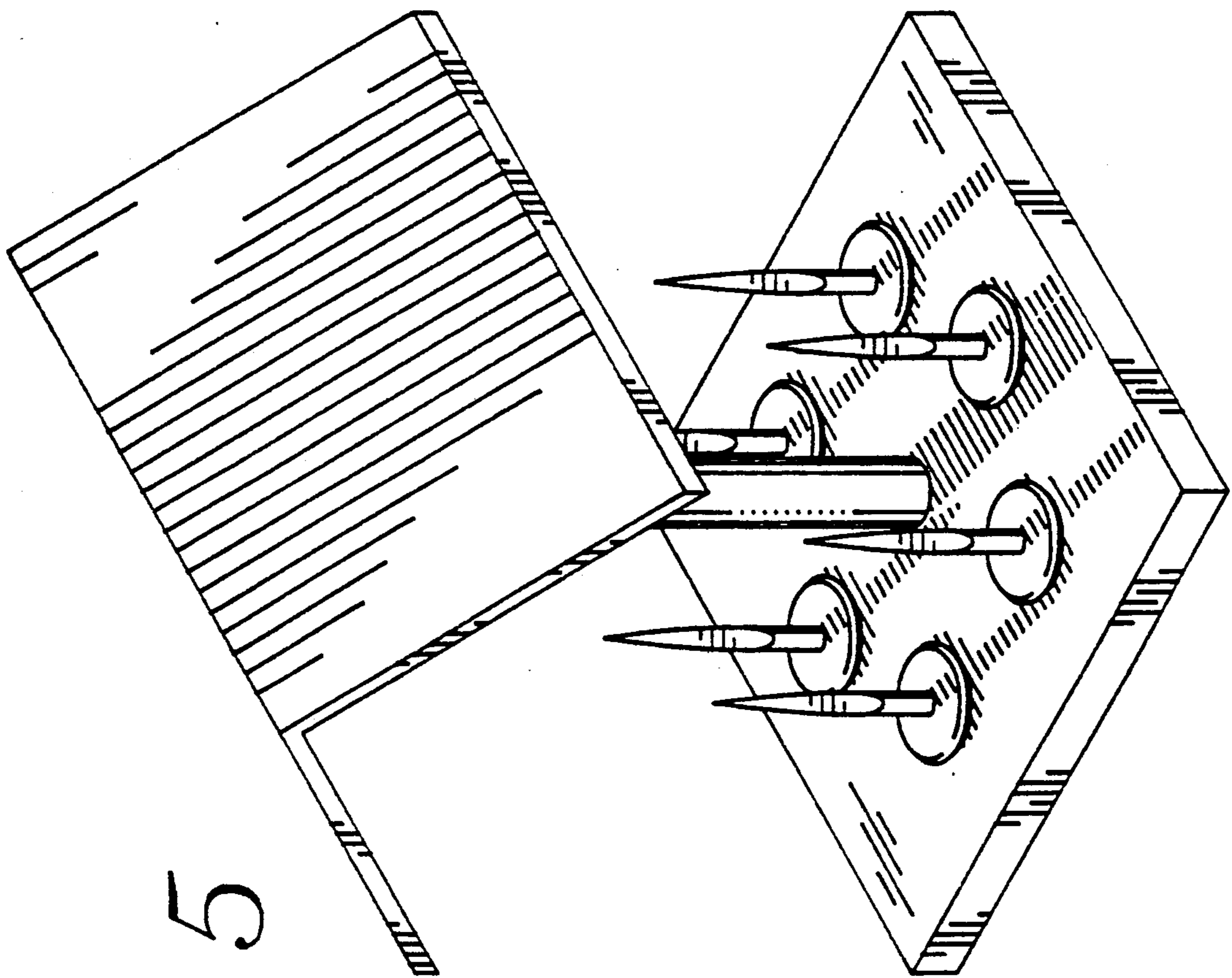


Fig. 5