



US00D322942S

# United States Patent [19]

Tse

[11] Patent Number: **Des. 322,942**

[45] Date of Patent: **\*\* Jan. 7, 1992**

[54] **CLOCK**

[75] Inventor: **Andrew C. S. Tse, Kowloon, Hong Kong**

[73] Assignee: **HBL Ltd., Tsuen Wan, Hong Kong**

[\*\*] Term: **14 Years**

[21] Appl. No.: **422,944**

[22] Filed: **Oct. 17, 1989**

[30] **Foreign Application Priority Data**

Apr. 19, 1989 [GB] United Kingdom ..... 358818

[52] U.S. Cl. .... **D10/23**

[58] Field of Search ..... **D10/1-40, D10/122-132; 368/276-277, 280-282, 316-317, 285**

[56]

**References Cited**

**U.S. PATENT DOCUMENTS**

D. 258,725	3/1981	Hocq .....	D10/22
D. 264,443	5/1982	Diskin .....	D10/22
D. 278,313	4/1985	Progin .....	D10/23
D. 317,576	6/1991	Aoki .....	D10/22

*Primary Examiner*—Nelson C. Holtje  
*Attorney, Agent, or Firm*—Wolf, Greenfield & Sacks

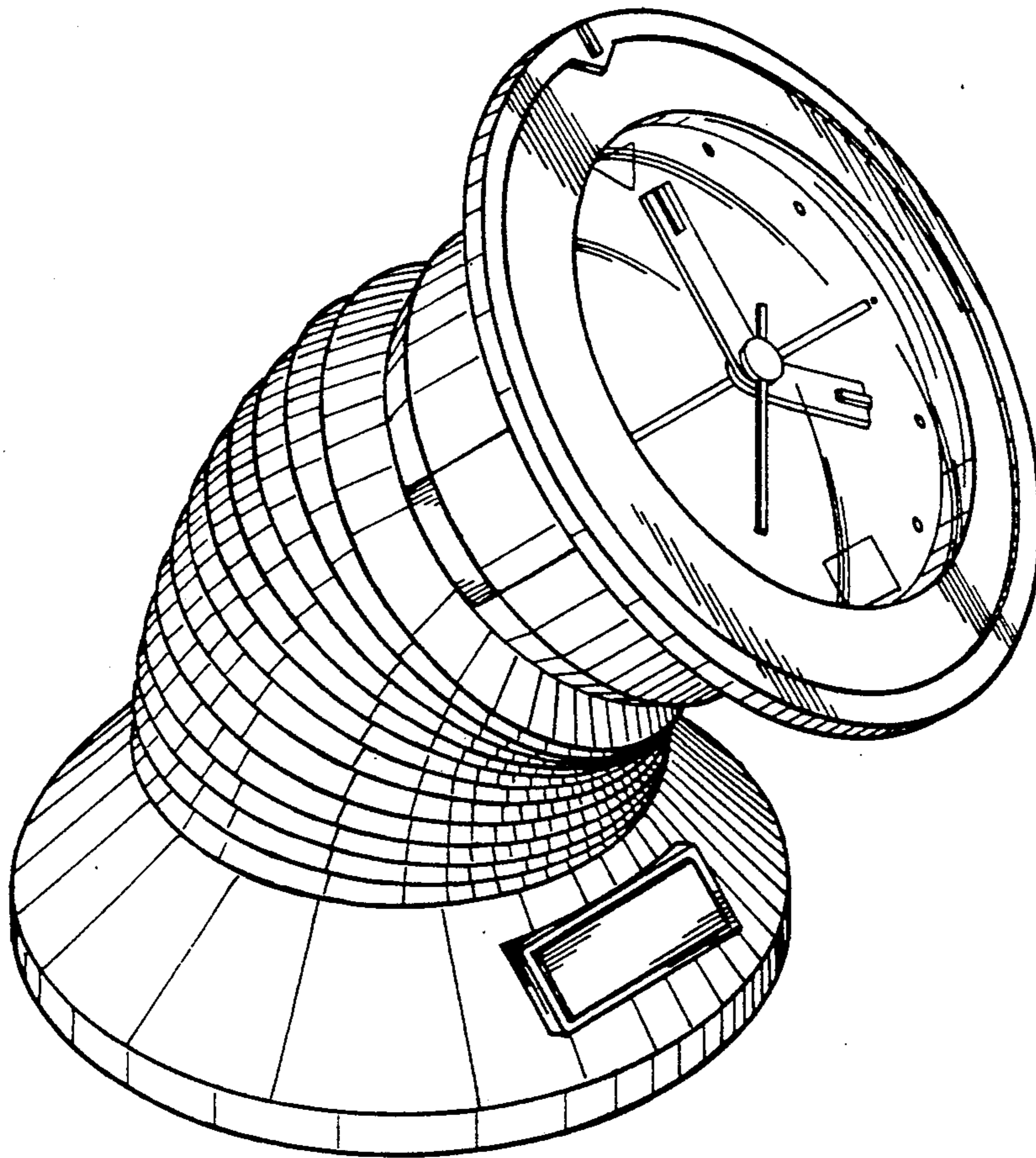
[57]

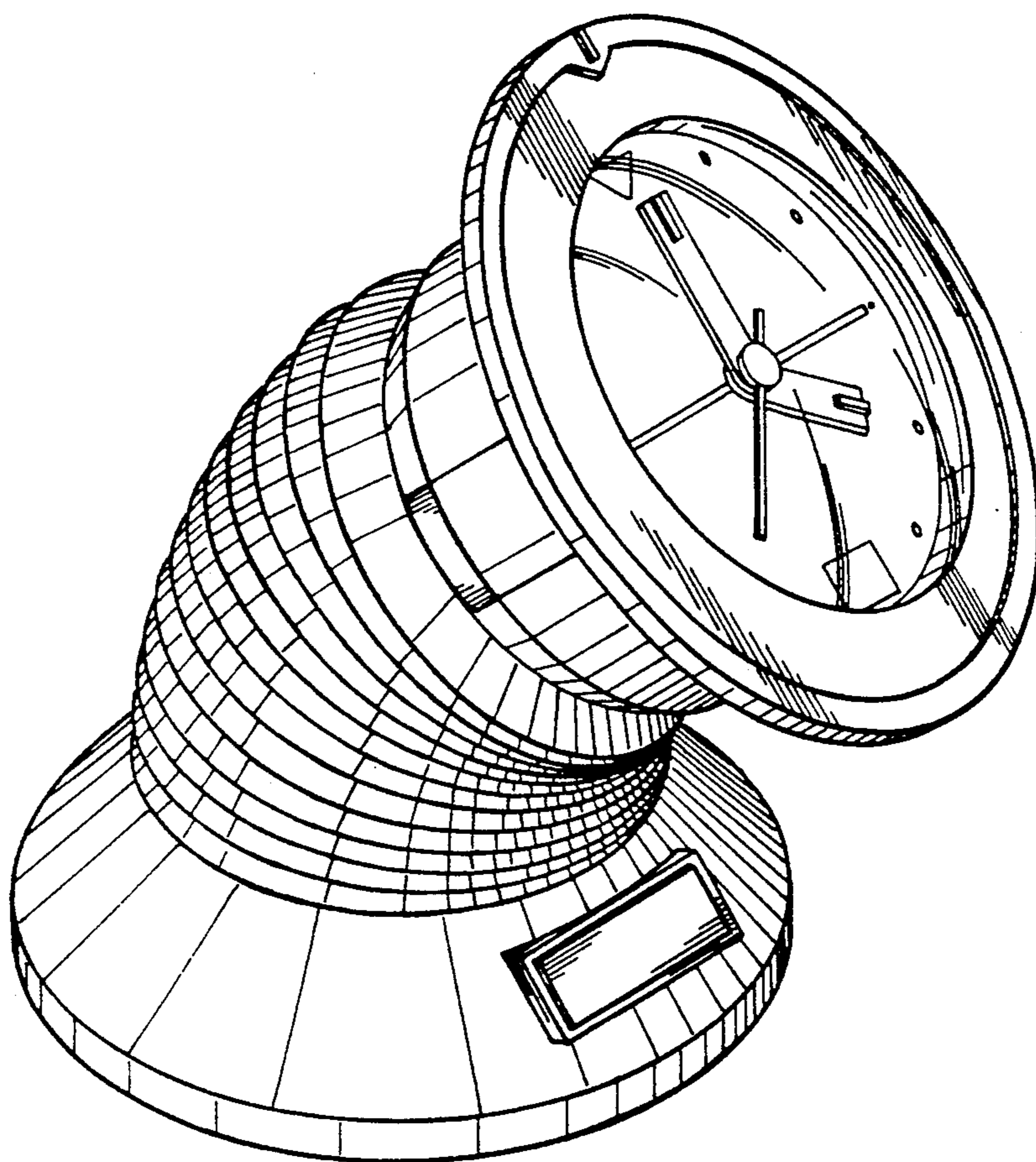
**CLAIM**

The ornamental design for a clock, as shown and described.

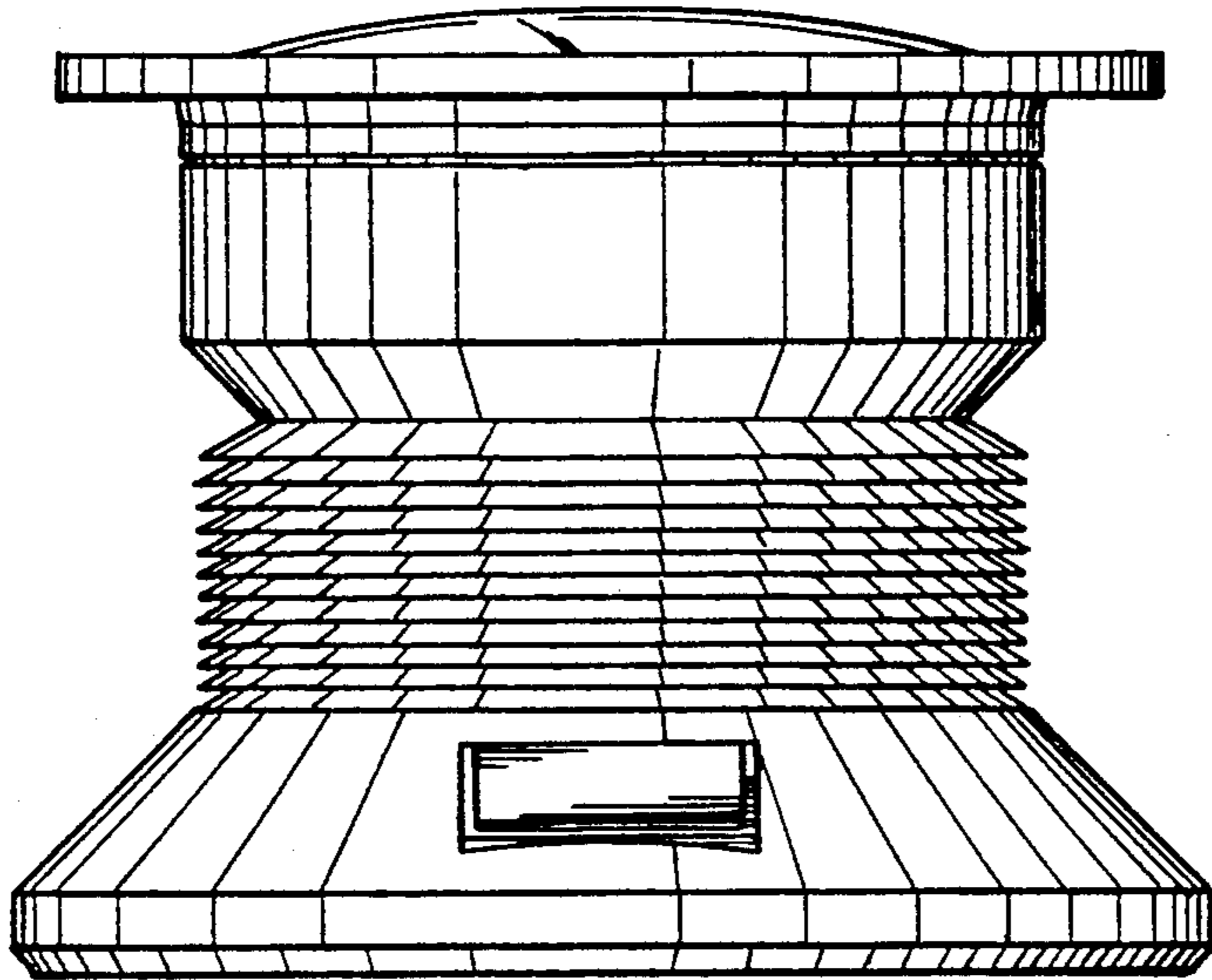
**DESCRIPTION**

FIG. 1 is the perspective view showing my new design; FIG. 2 is the front elevational view thereof; FIG. 3 is the rear elevational view thereof; FIG. 4 is the left side view thereof; FIG. 5 is the right side view thereof; FIG. 6 is the top plan view thereof; and FIG. 7 is the bottom view thereof.

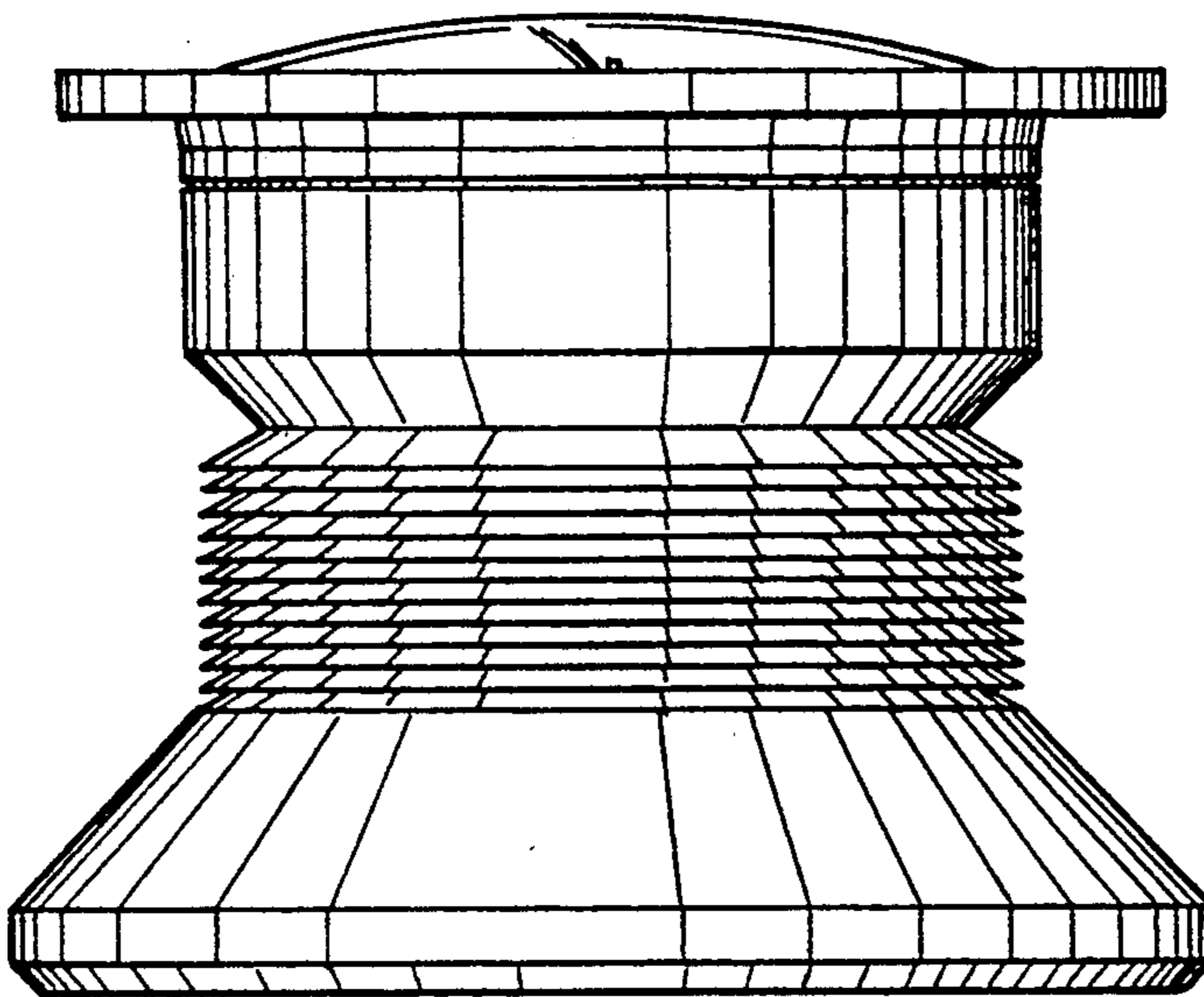




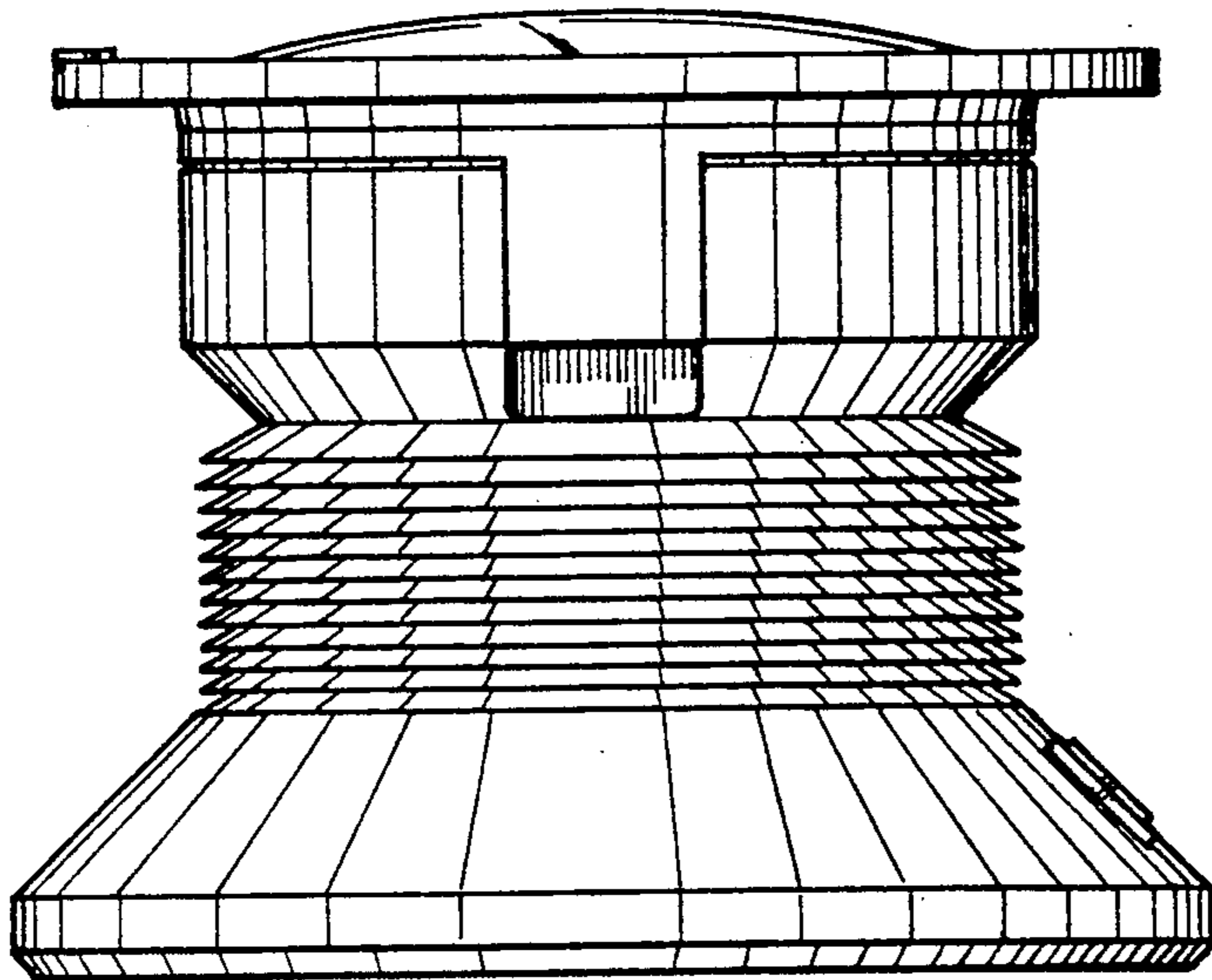
*Fig. 1*



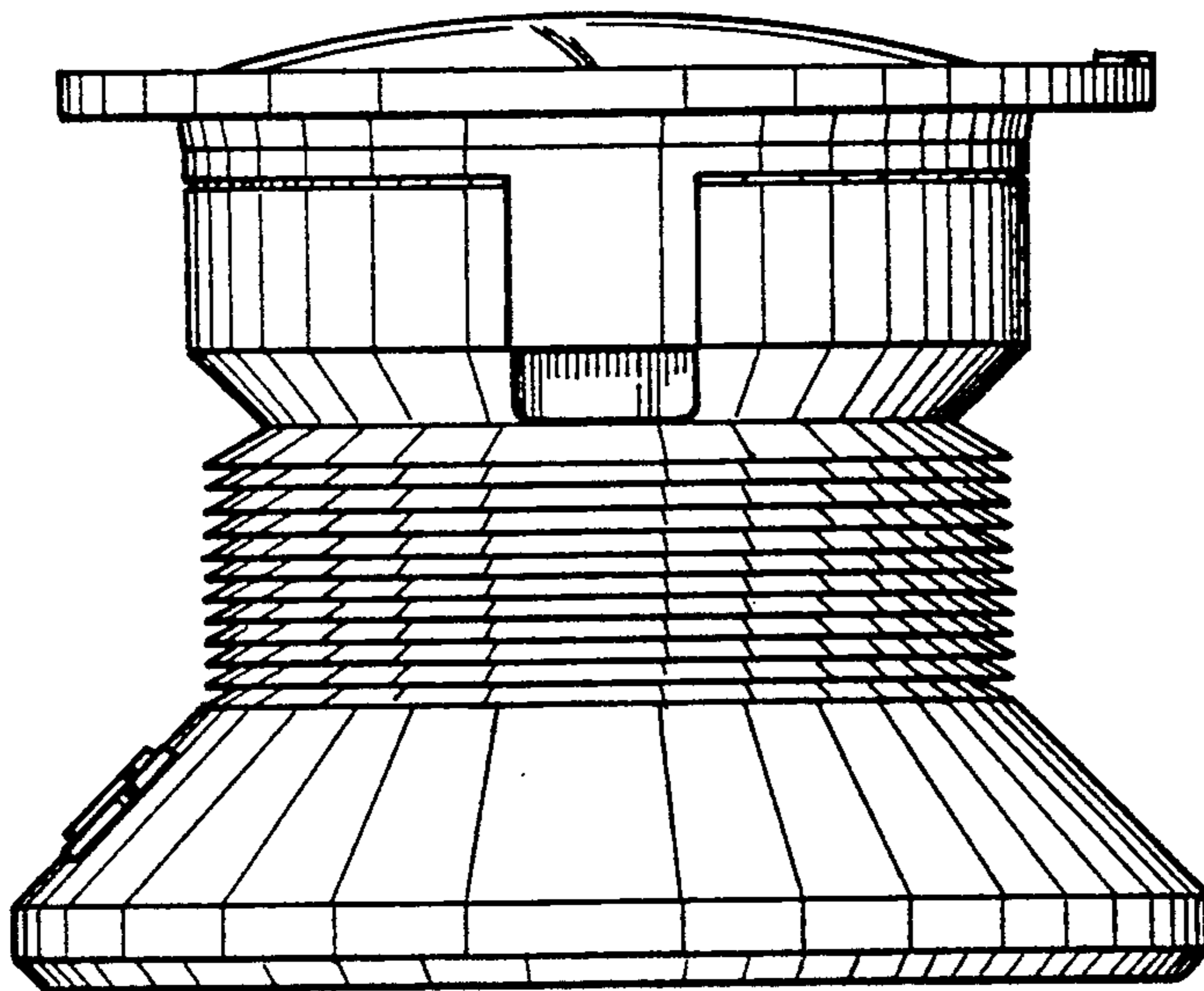
*Fig. 2*



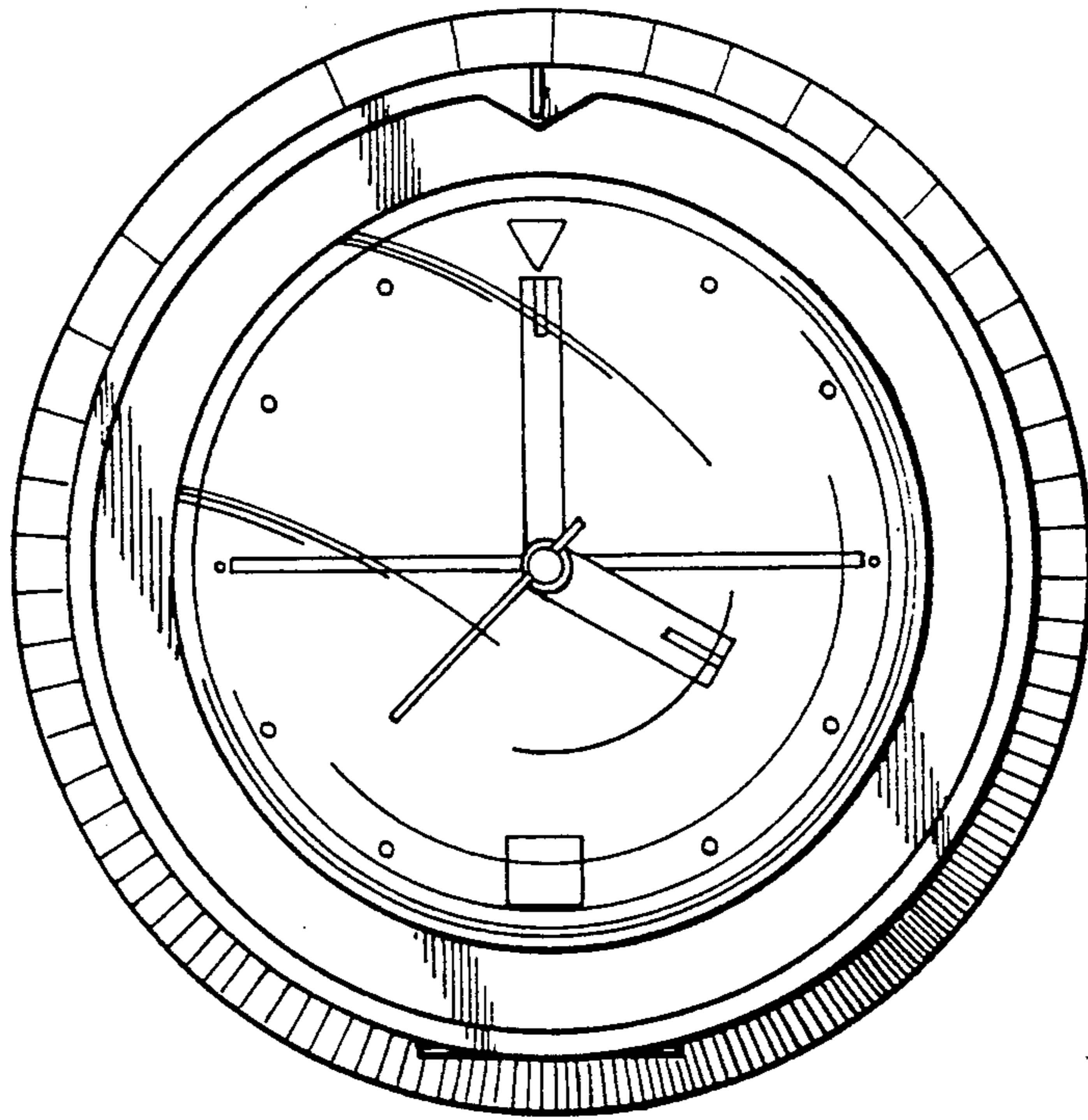
*Fig. 3*



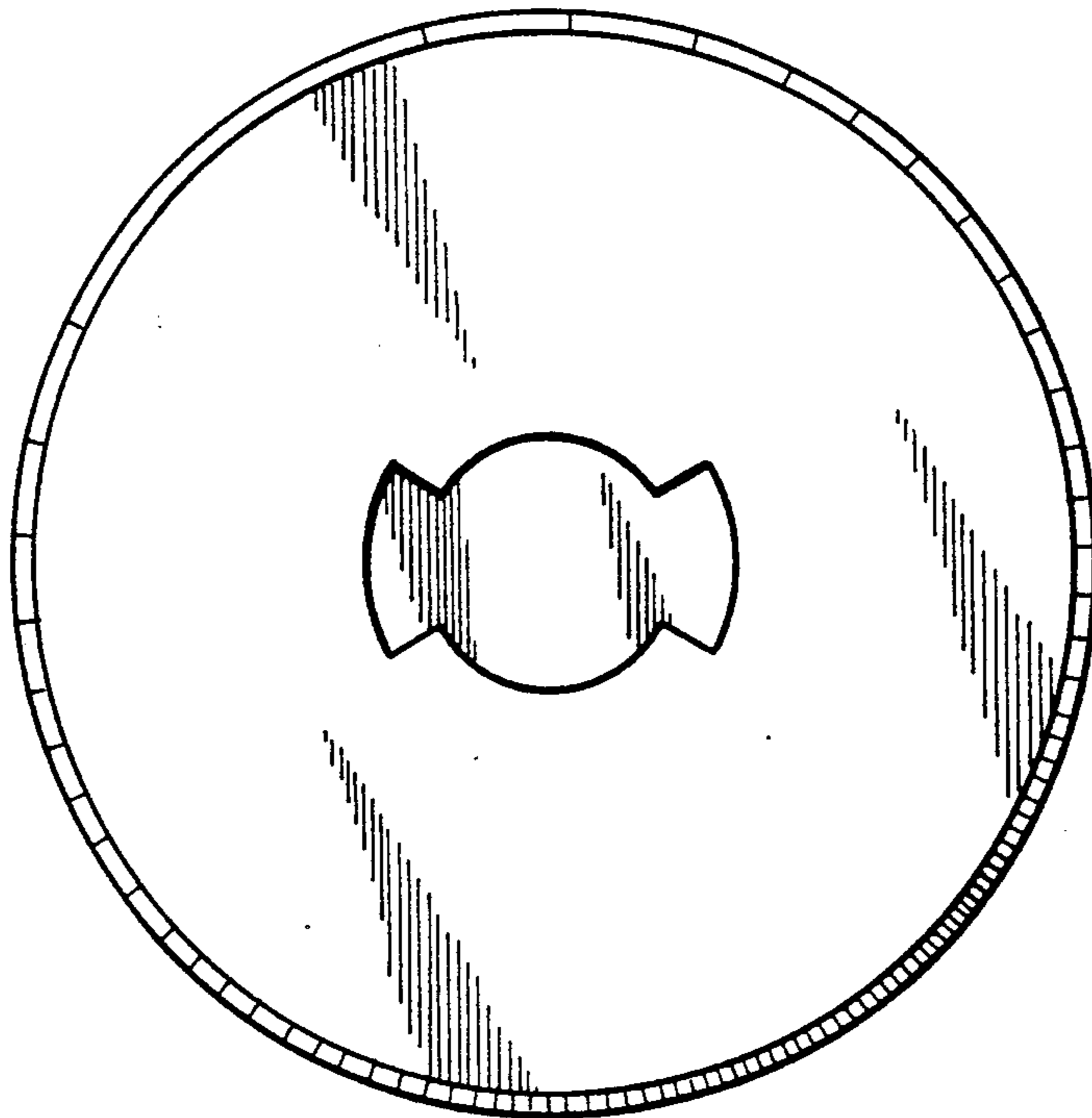
*Fig. 4*



*Fig. 5*



*Fig. 6*



*Fig. 7*