



US00D322940S

United States Patent [19]

Rivera

[11] Patent Number: **Des. 322,940**

[45] Date of Patent: **** Jan. 7, 1992**

[54] **PAINT CAN RIM COVER**

[76] Inventor: **Leonardo Rivera, HC-01 Box 3009, Camuy, P.R. 00627-9601**

[**] Term: **14 Years**

[21] Appl. No.: **380,259**

[22] Filed: **Jul. 17, 1989**

[52] U.S. Cl. **D9/435; D9/443; D9/454**

[58] Field of Search **D9/435, 439, 443, 447, D9/454; 220/254, 256, 352**

[56] **References Cited**

U.S. PATENT DOCUMENTS

D. 248,453	7/1978	Summers	D9/443 X
D. 248,545	7/1978	Summers	D9/443 X
D. 263,799	4/1982	Nilsson	D9/443 X
D. 277,646	2/1985	Jorgensen	D9/454 X
D. 296,525	7/1988	Siegel	D9/443

D. 309,109	7/1990	Allen	D9/454 X
D. 315,475	3/1991	Finger et al.	D9/447 X
2,889,090	6/1959	Shazor, Jr.	D9/439 X
3,090,537	5/1963	Pasciak	D9/443 X

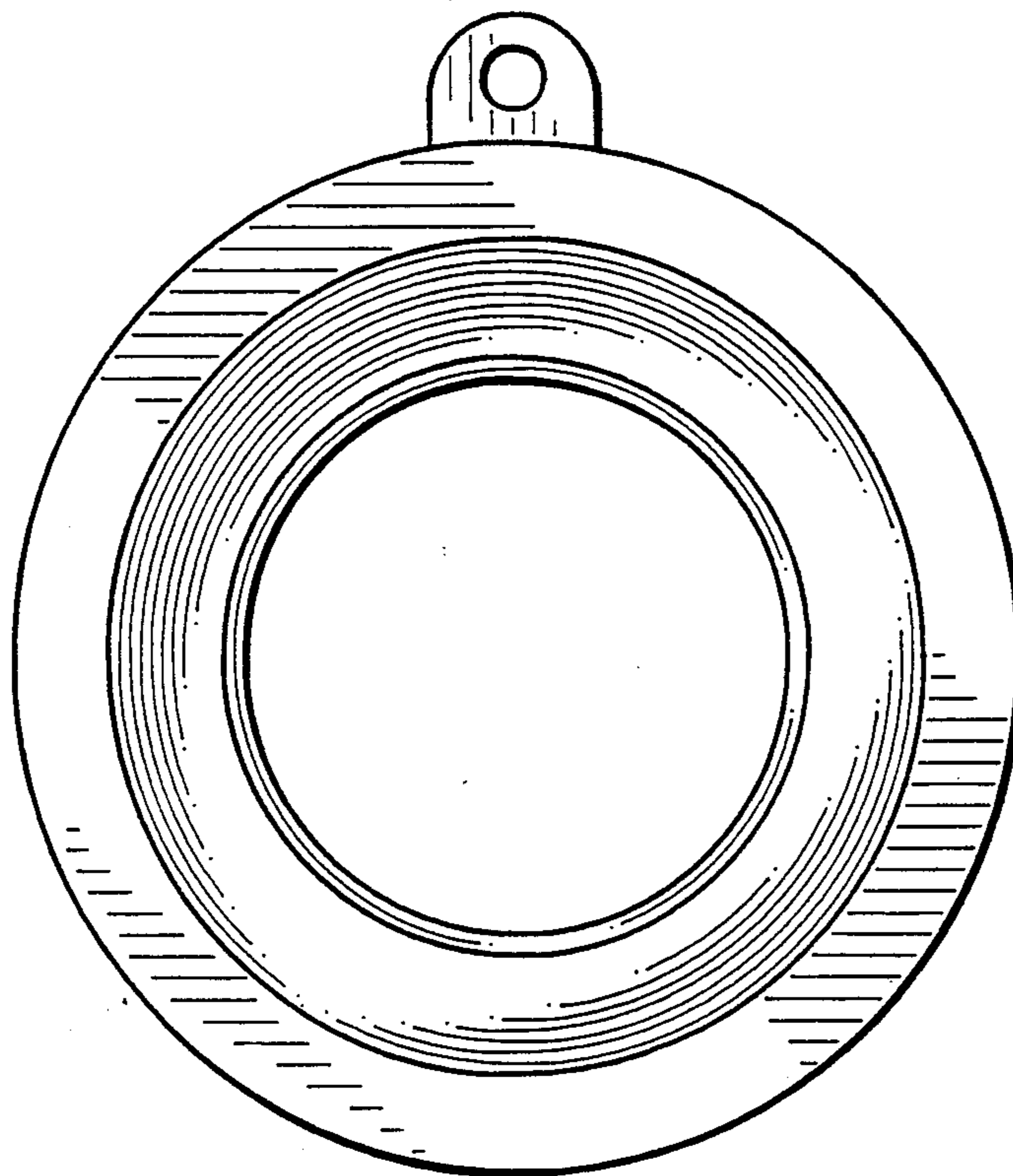
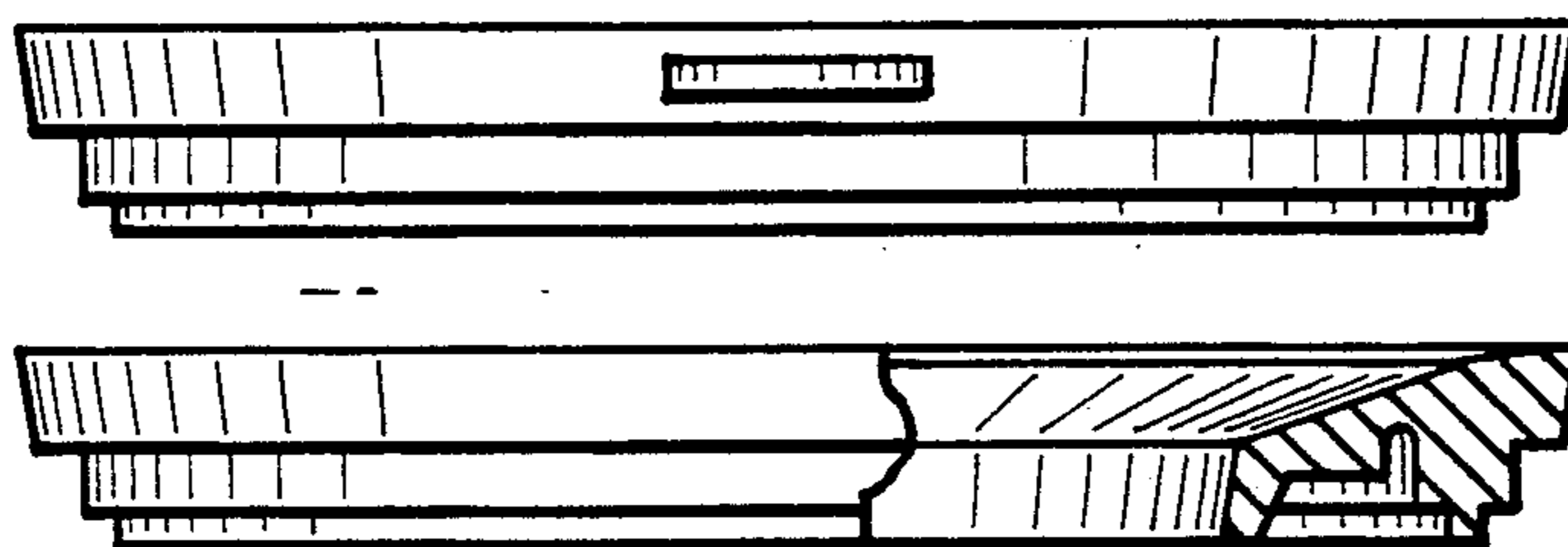
Primary Examiner—Bernard Ansher
Assistant Examiner—Dominic Simone
Attorney, Agent, or Firm—Leon Gilden

[57] **CLAIM**

The ornamental design for a paint can rim cover, as shown and described.

DESCRIPTION

FIG. 1 is a front elevational view of a paint can rim cover, showing my new design;
FIG. 2 is a rear elevational view thereof, shown partially in section for clarity of illustration;
FIG. 3 is a left side elevational view thereof;
FIG. 4 is a right side elevational view thereof;
FIG. 5 is a top plan view thereof; and
FIG. 6 is a bottom plan view thereof.



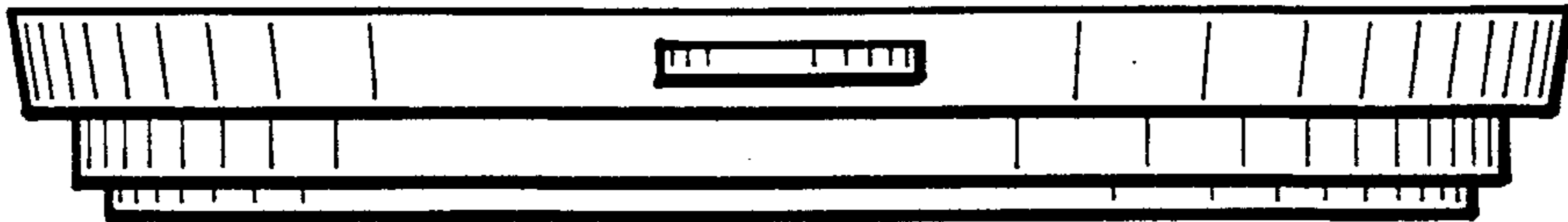


Fig. 1

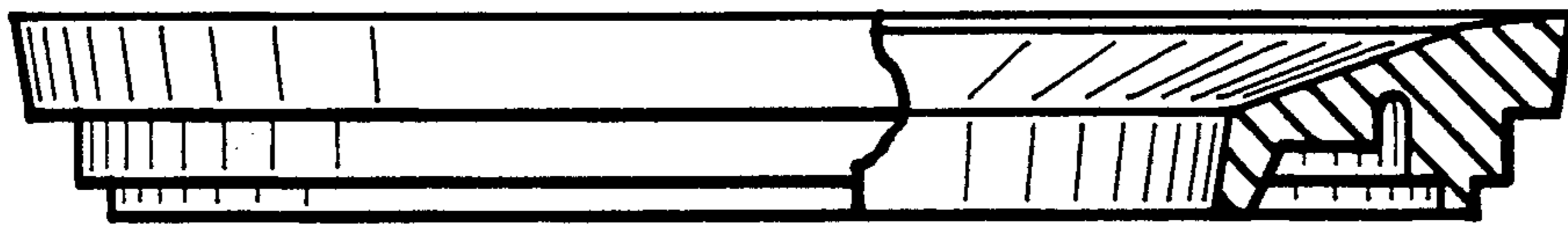


Fig. 2

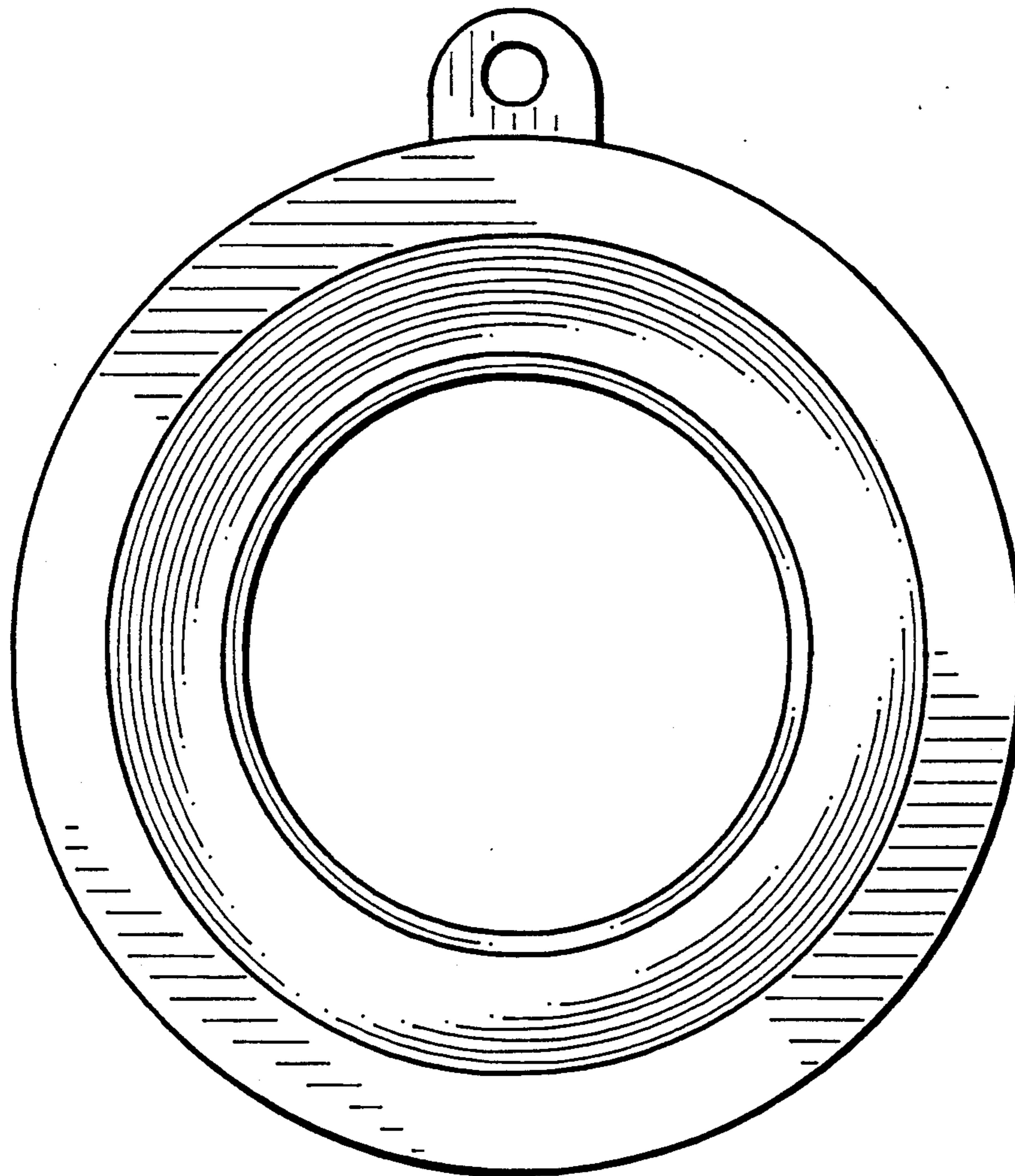


Fig. 5

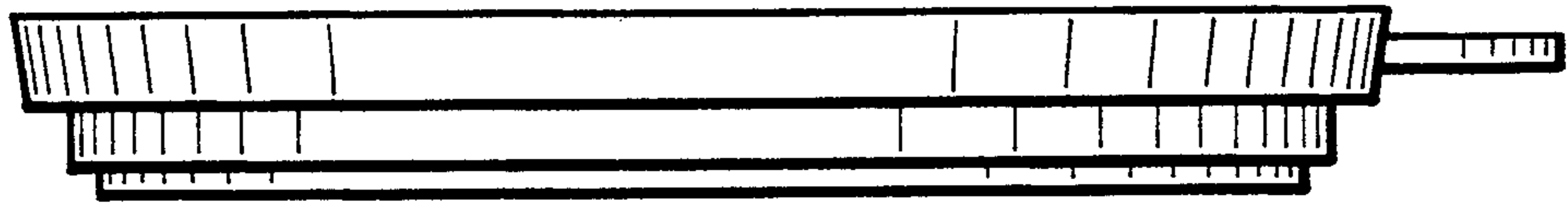


Fig. 3

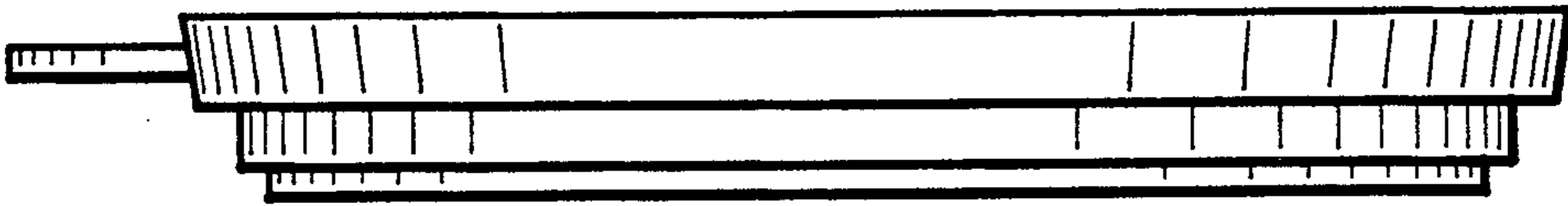


Fig. 4

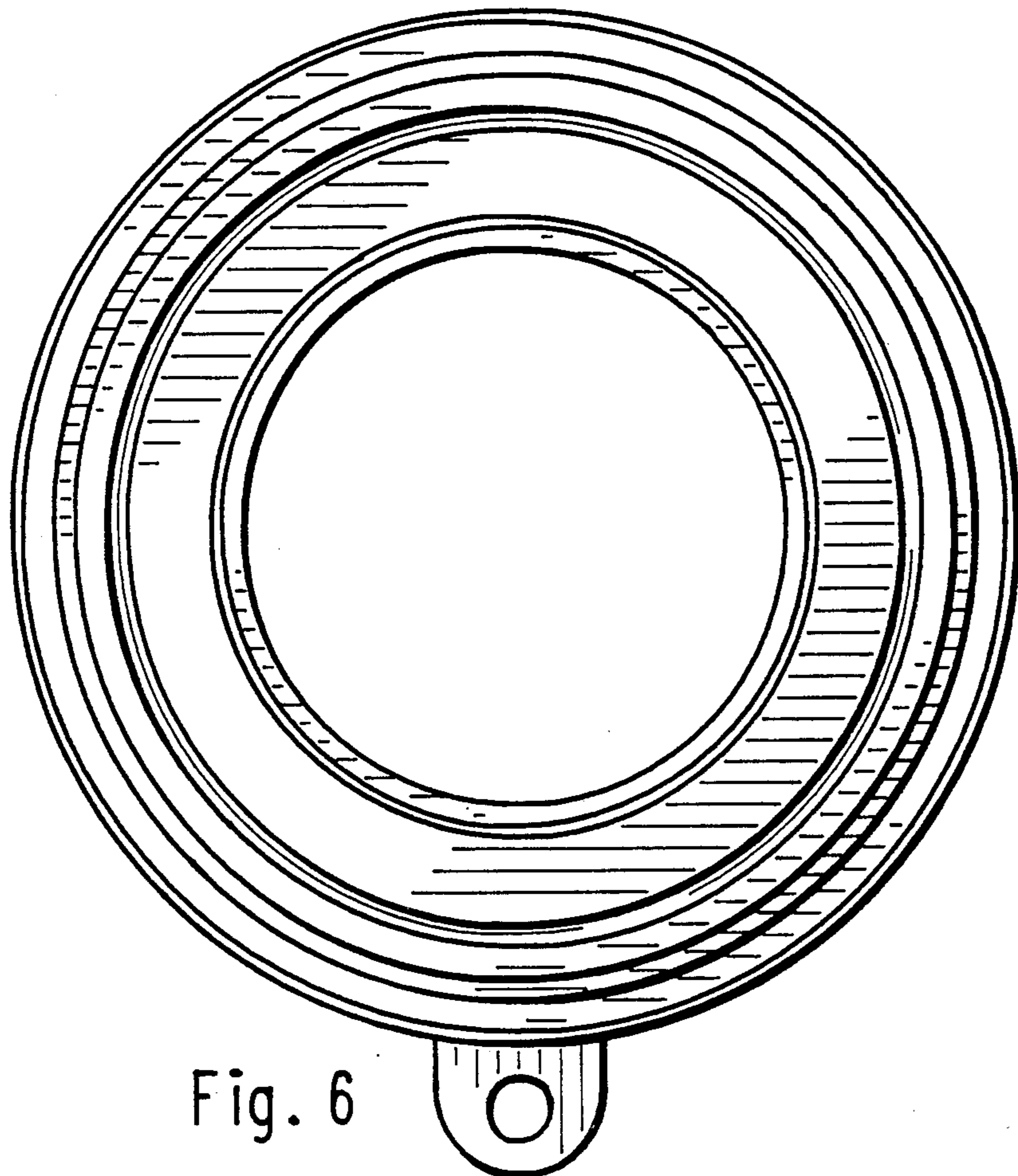


Fig. 6