



US00D322933S

United States Patent [19]
Hutchison

[11] **Patent Number: Des. 322,933**
[45] **Date of Patent: ** Jan. 7, 1992**

[54] **WASTE OIL CONTAINER**
[76] **Inventor: Richard C. Hutchison, 3706 S. 16th St., Omaha, Nebr. 68155**
[**] **Term: 14 Years**
[21] **Appl. No.: 409,407**
[22] **Filed: Sep. 19, 1989**
[52] **U.S. Cl. D9/337; D3/30.1; D9/376; D12/155**
[58] **Field of Search D3/30.1, 40, 73; D9/307, 308, 337, 367, 374, 375, 376, 378, 379; D23/200, 202, 208; D34/1, 5, 7; D15/150; D12/155; 215/1 R, 1 C; 184/105, 106; 220/571, 573**

1,568,830 1/1926 Gunderson 184/1.5
3,410,438 12/1968 Bartz 220/573
4,010,863 3/1977 Ebel 220/573
4,296,838 10/1981 Cohen 220/573 X
4,301,841 11/1981 Sandow 141/98
4,315,561 2/1982 Partridge 184/106
4,632,268 12/1986 Melzi et al. D23/202 X
4,802,599 2/1989 Hill 220/573

Primary Examiner—Bernard Ansher
Assistant Examiner—C. Tuttle
Attorney, Agent, or Firm—Zarley, McKee, Thomte, Voorhees & Sease

[57] **CLAIM**

The ornamental design for a waste oil container, as shown.

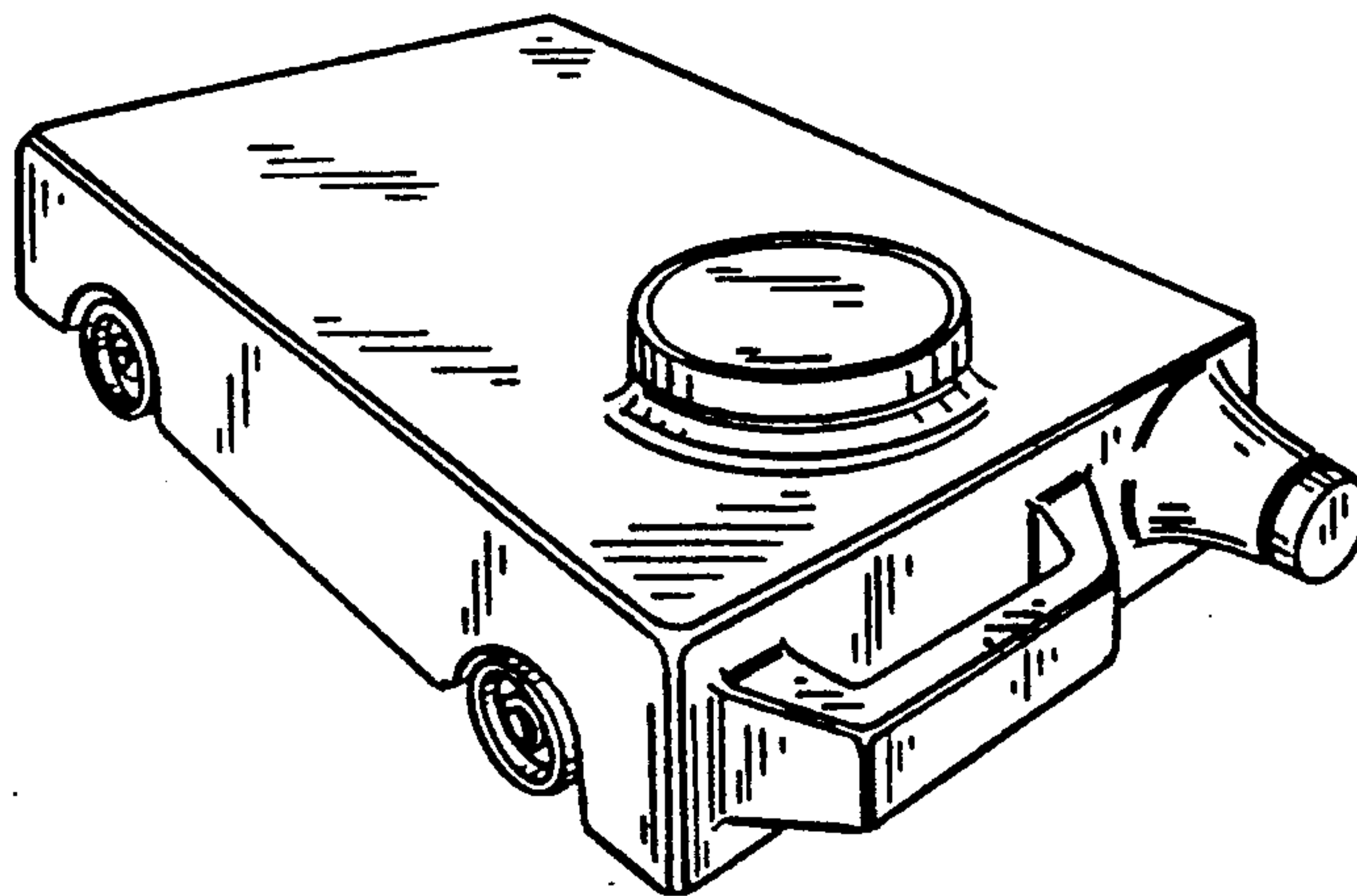
[56] **References Cited**

U.S. PATENT DOCUMENTS

D. 100,494 7/1936 Glover D9/367
D. 226,259 2/1973 Lisk, Jr. D23/202
D. 248,845 8/1978 White et al. D12/155 X
D. 294,332 2/1988 Harrison D9/337
1,487,065 3/1924 Irons 220/571
1,506,028 8/1924 Perritt 184/1.5
1,554,589 9/1925 Long 184/1.5

DESCRIPTION

FIG. 1 is a perspective view of a waste oil container showing my new design;
FIG. 2 is a top plan view thereof;
FIG. 3 is a bottom plan view thereof;
FIG. 4 is a front elevational view thereof;
FIG. 5 is a right side elevational view thereof;
FIG. 6 is a rear elevational view thereof; and
FIG. 7 is a left side elevational view thereof.



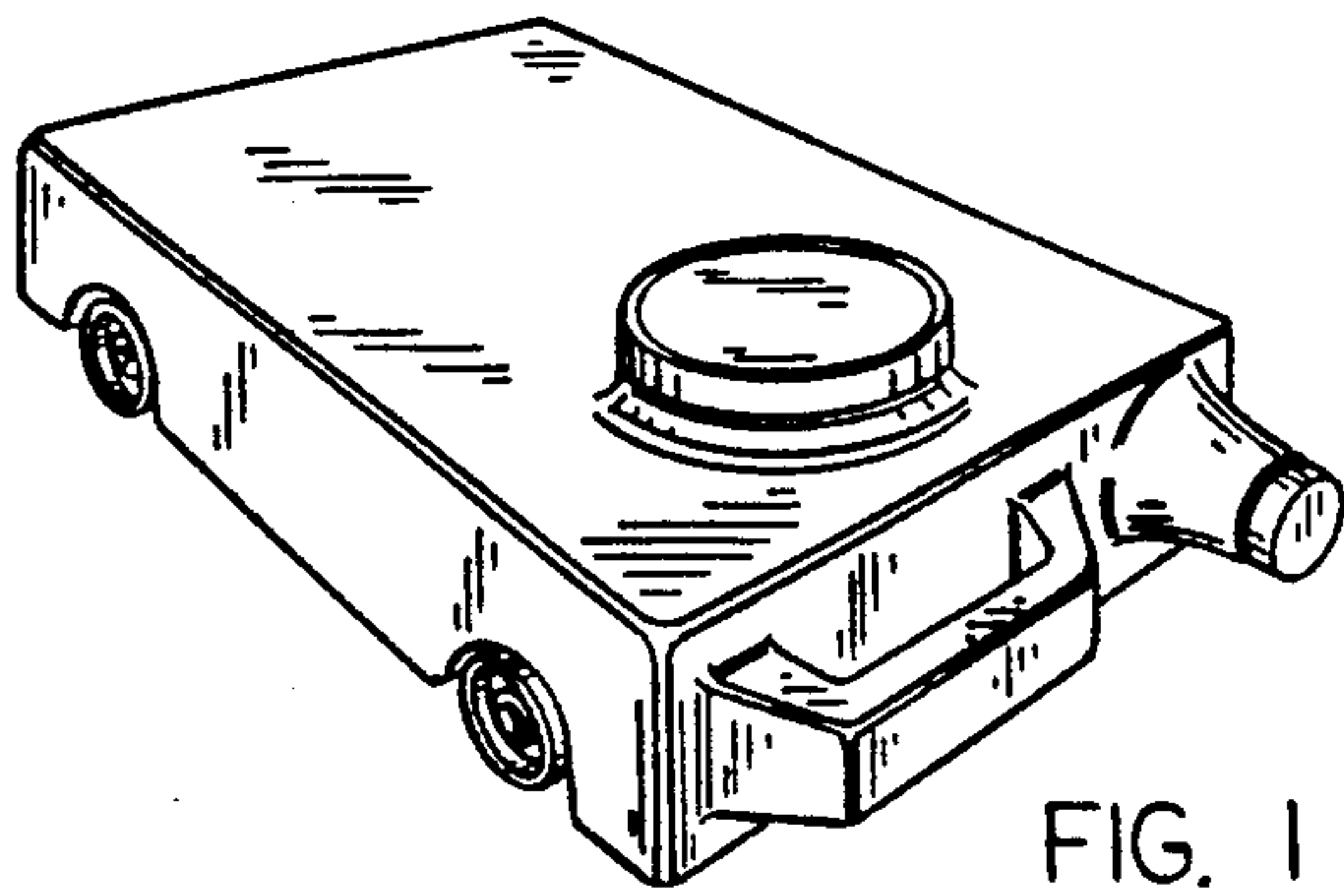


FIG. 1

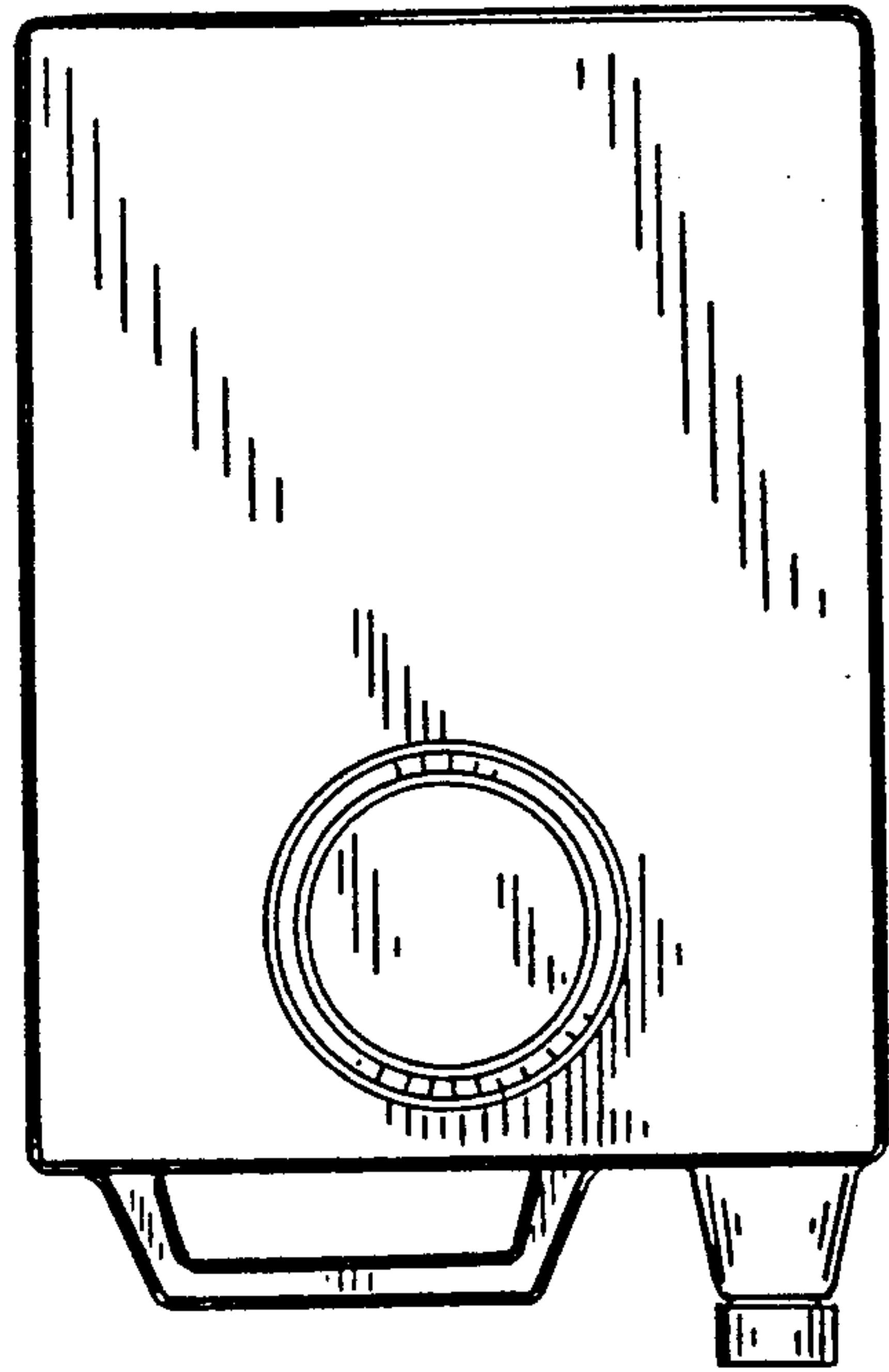


FIG. 2

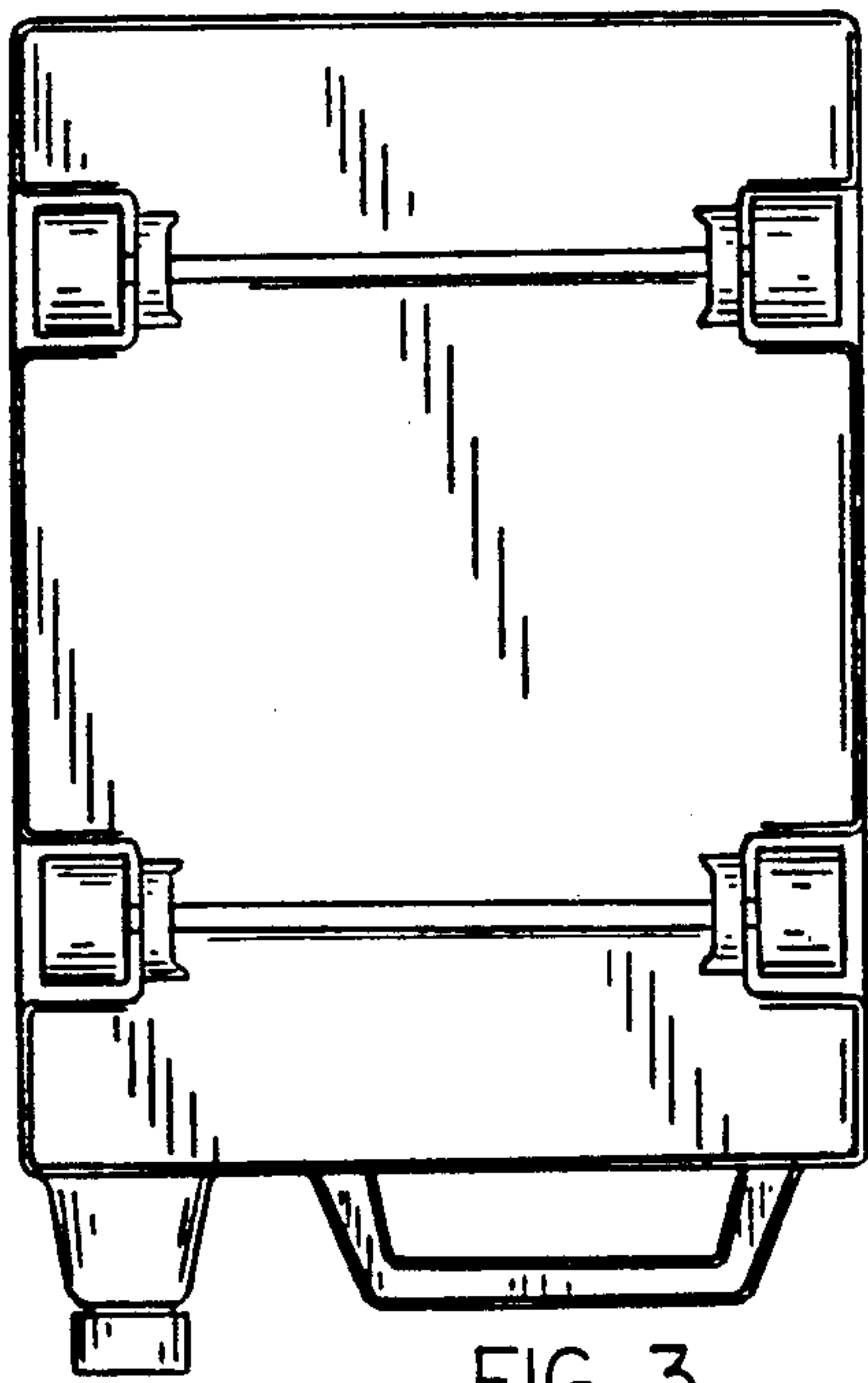


FIG. 3

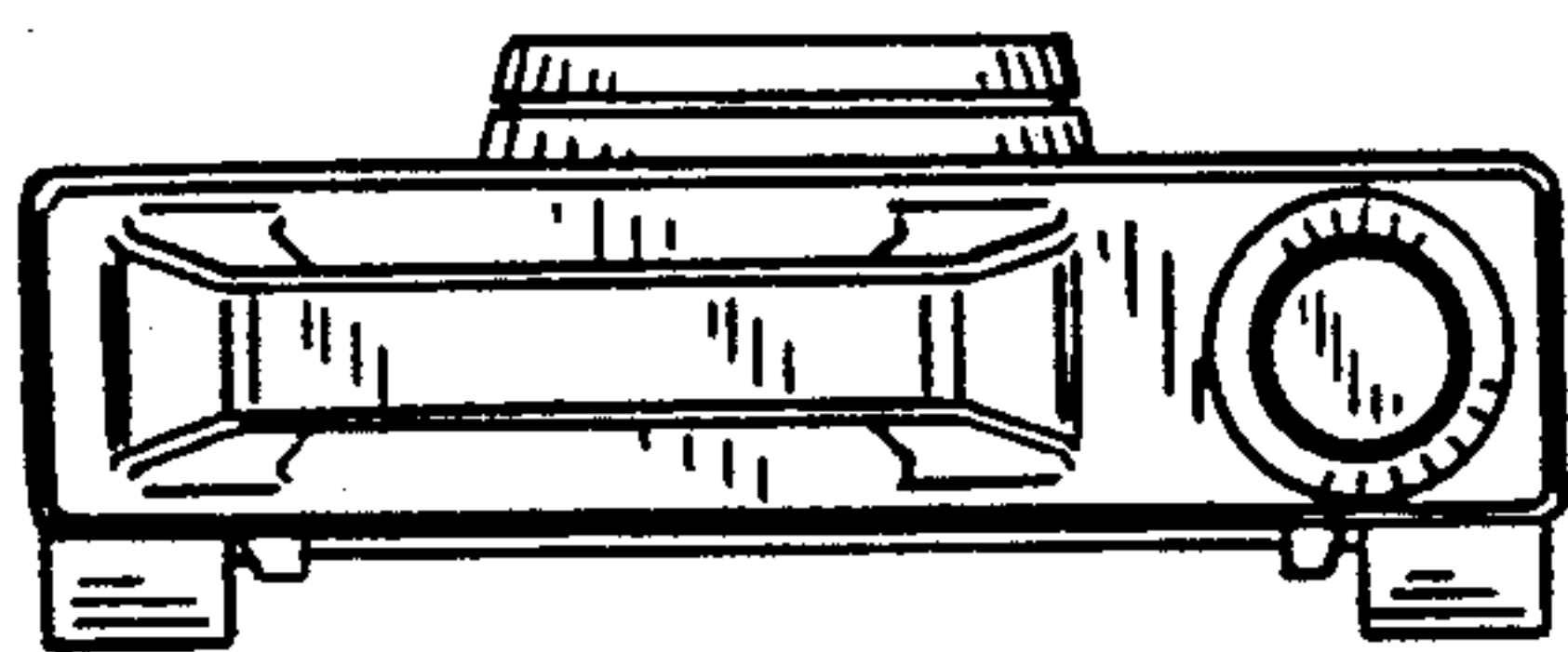


FIG. 4

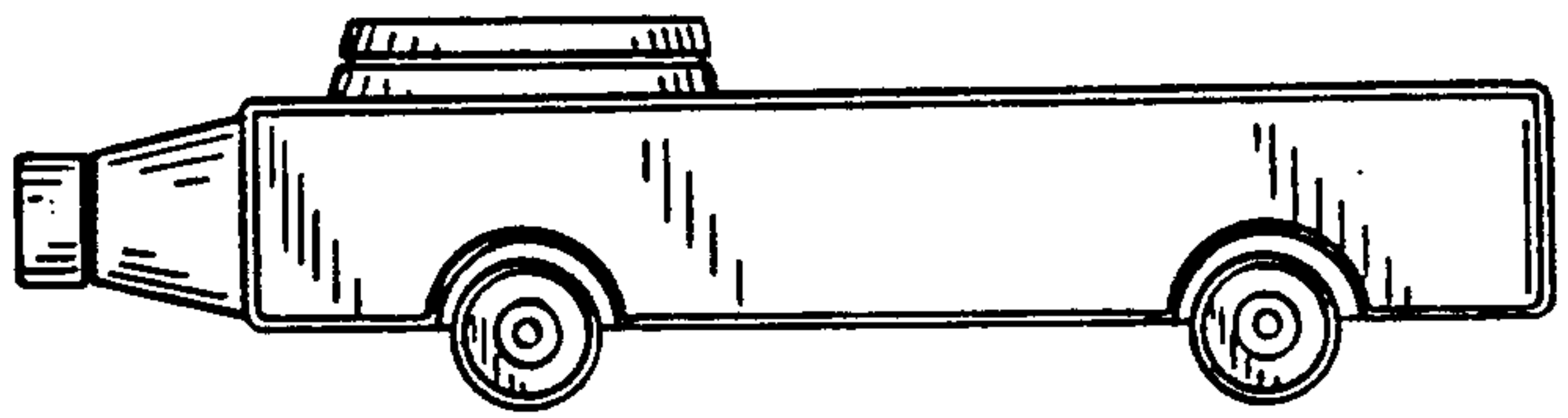


FIG. 5

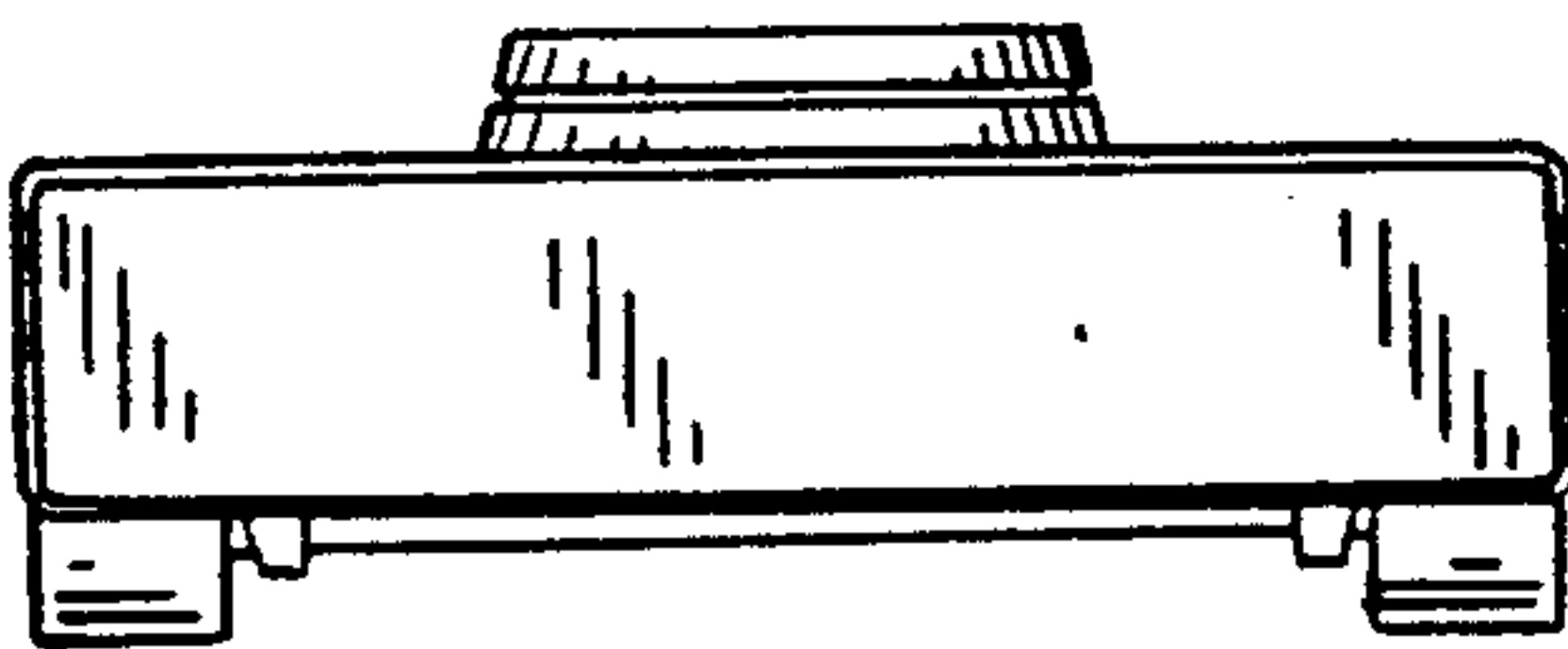


FIG. 6

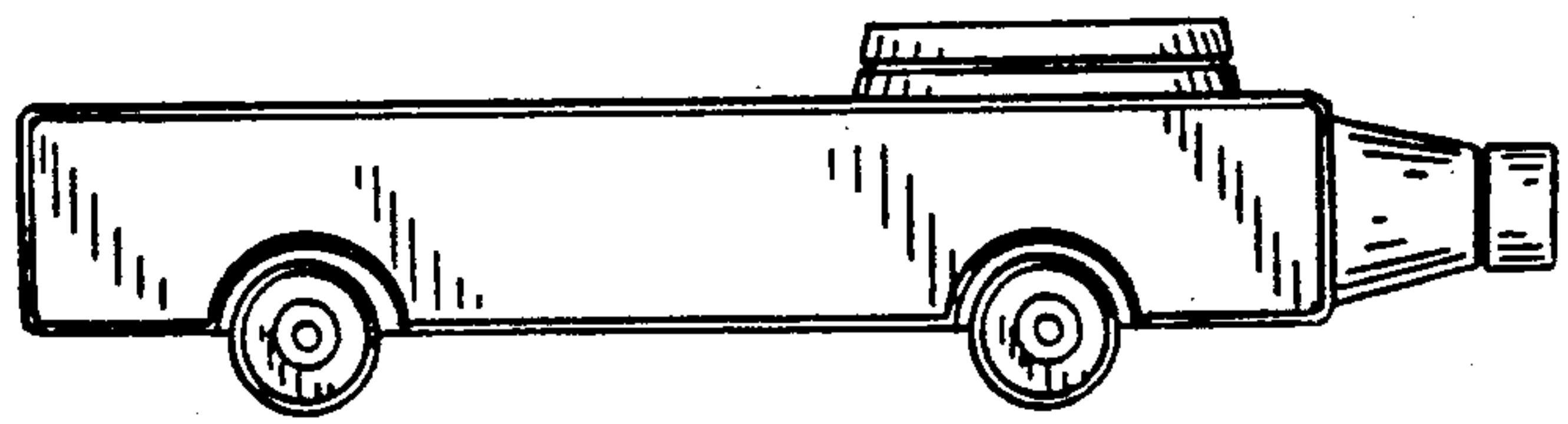


FIG. 7