



US00D322929S

United States Patent [19]

Abbestam et al.

[11] Patent Number: **Des. 322,929**

[45] Date of Patent: **** Jan. 7, 1992**

[54] TRACK-GUIDED NUT

[75] Inventors: **Goran Abbestam, Gothenburg; Leif Lachonius, Surte, both of Sweden**

[73] Assignee: **SKF Specialty Products AB, Gothenburg, Sweden**

[**] Term: **14 Years**

[21] Appl. No.: **368,529**

[22] Filed: **Jun. 20, 1989**

[52] U.S. Cl. **D8/397**

[58] Field of Search **D8/397; 411/81, 337, 411/427; 403/331, 387**

[56]

References Cited

U.S. PATENT DOCUMENTS

42,320	4/1864	Thomas	411/427
2,767,951	10/1956	Cousino	403/387
2,784,930	3/1957	Wernecke	411/427
4,030,266	6/1977	Cody	403/387
4,662,776	5/1987	Hedstrom et al.	403/387
4,957,402	9/1990	Klein et al.	411/427

Primary Examiner—B. J. Bullock

Attorney, Agent, or Firm—Eugene E. Renz, Jr.

[57]

CLAIM

The ornamental design for a track-guided nut, as shown and described.

DESCRIPTION

FIG. 1 is an outer perspective view of a track-guided nut showing our new design, the end opposite that shown being identical;

FIG. 2 is an inner perspective view thereof.

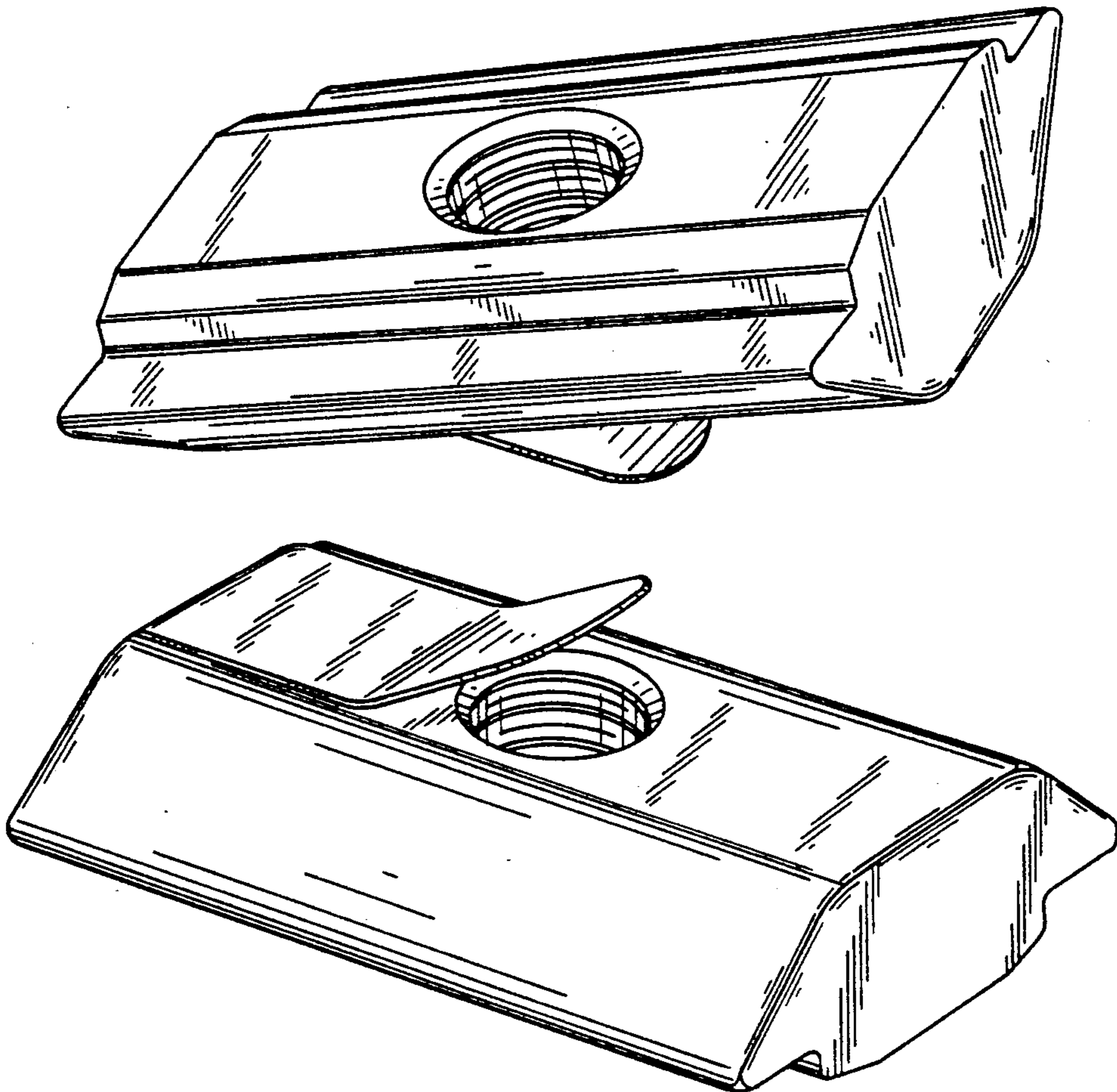


FIG. 2

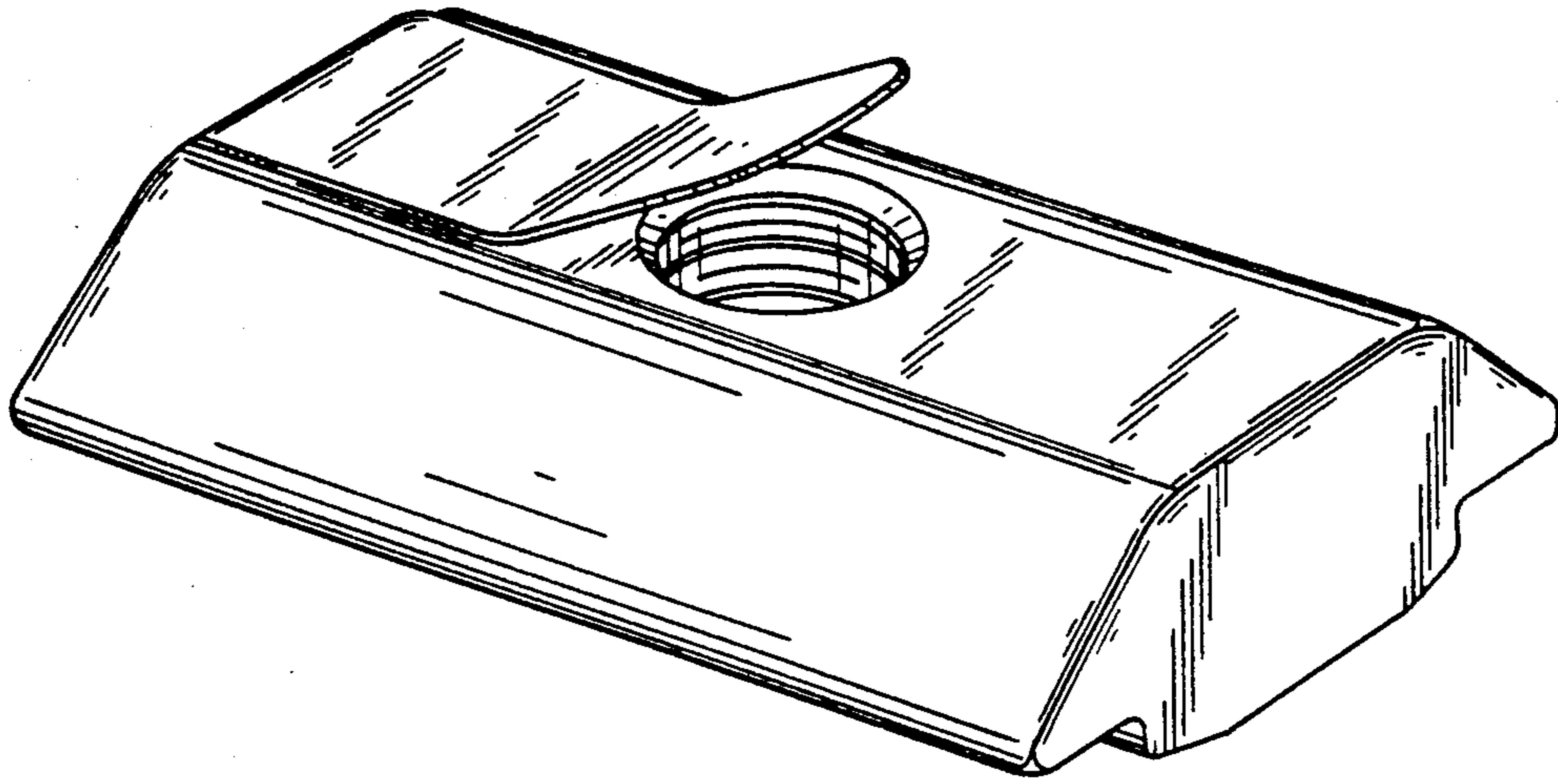


FIG. 1

