



US00D322928S

United States Patent [19]

Snodell

[11] Patent Number: **Des. 322,928**

[45] Date of Patent: **** Jan. 7, 1992**

[54] SCREW

[76] Inventor: **Walter S. Snodell, 615 Hickory Rd.,
Glen Ellyn, Ill. 60137**

[**] Term: **14 Years**

[21] Appl. No.: **349,505**

[22] Filed: **May 9, 1989**

[52] U.S. Cl. **D8/387; D8/388;
D8/391; D8/397**

[58] Field of Search **D8/382, 387, 388, 391,
D8/397; 411/378, 386, 387, 393, 394, 403, 910,
911**

2,940,495 6/1960 Wing D8/387
4,242,932 1/1981 Barmore 411/427

FOREIGN PATENT DOCUMENTS

0018931 of 1907 United Kingdom 411/378

OTHER PUBLICATIONS

John Hassall, Inc. Cat.; ©1937; p. 18; Threaded Fastener (lower right).

Primary Examiner—B. J. Bullock
Attorney, Agent, or Firm—Martin Faier

[57] CLAIM

The ornamental design for a screw, as shown.

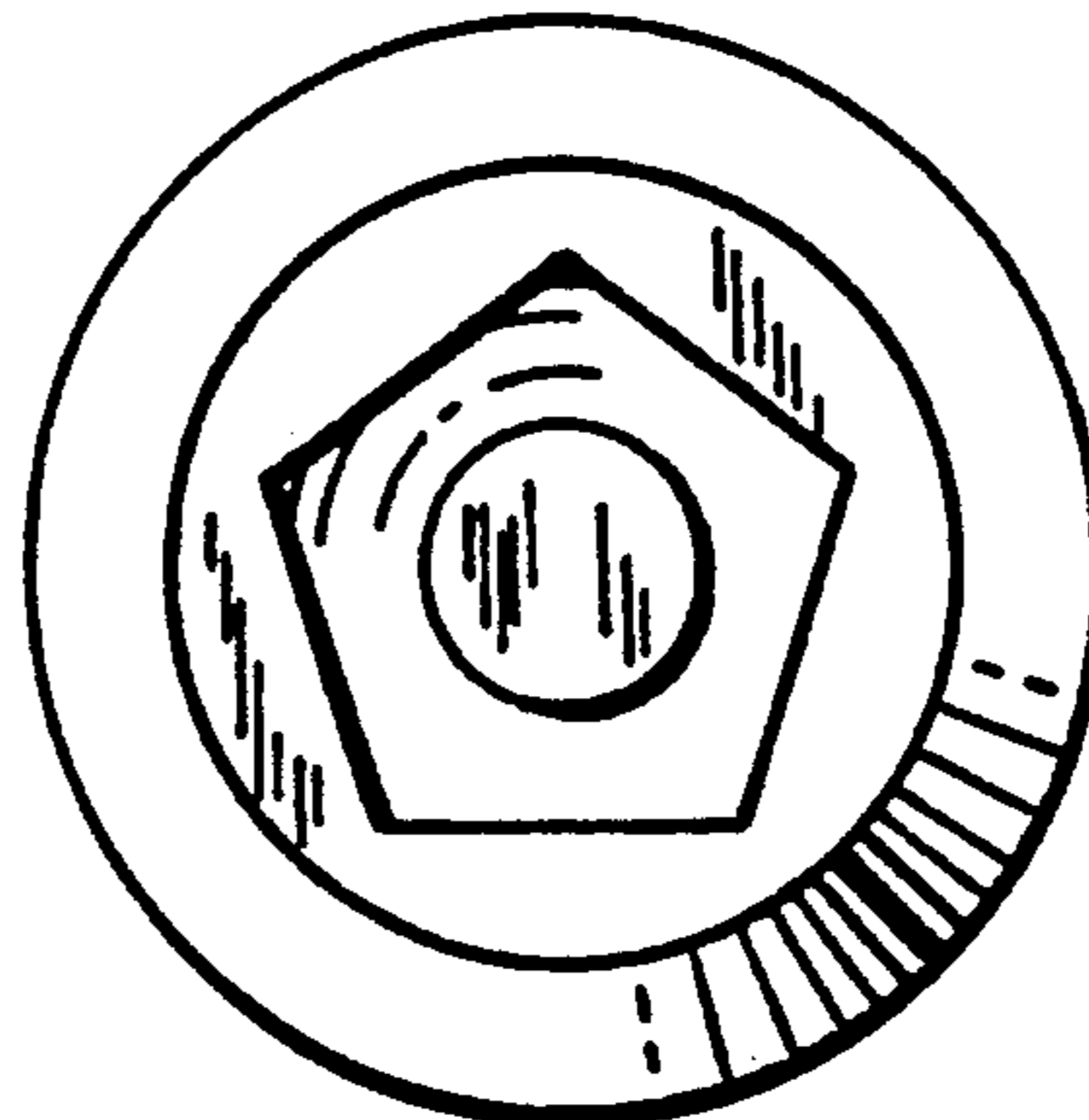
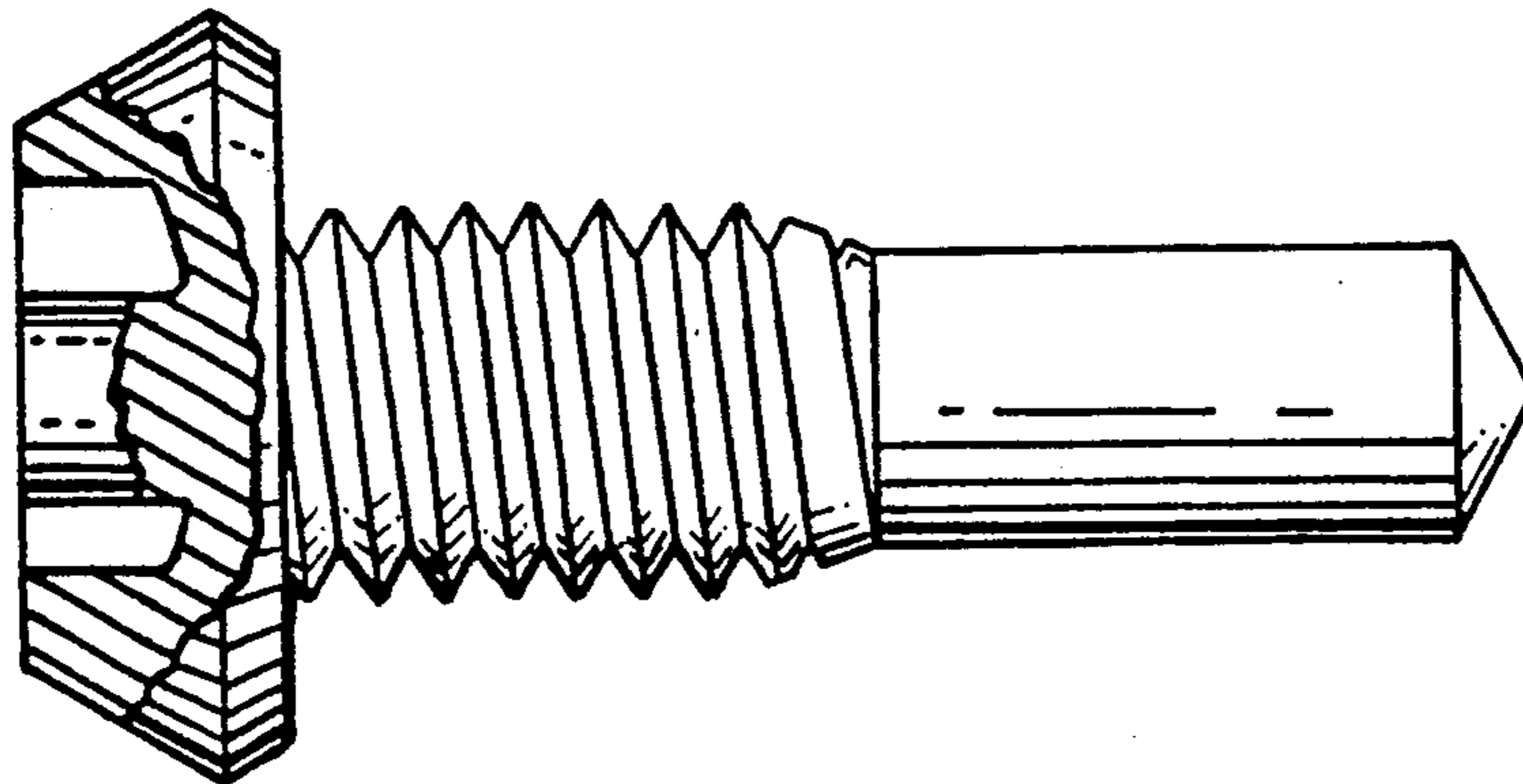
DESCRIPTION

FIG. 1 is a perspective view of a screw embodying my new design, the head thereof being partially in section; FIG. 2 is an enlarged elevational view of the head of the screw taken from the left of FIG. 1.

[56] References Cited

U.S. PATENT DOCUMENTS

D. 126,409 4/1941 Trott D8/387
D. 243,317 2/1977 Fukuyama D8/397
2,764,886 10/1956 Wiesmann 411/393



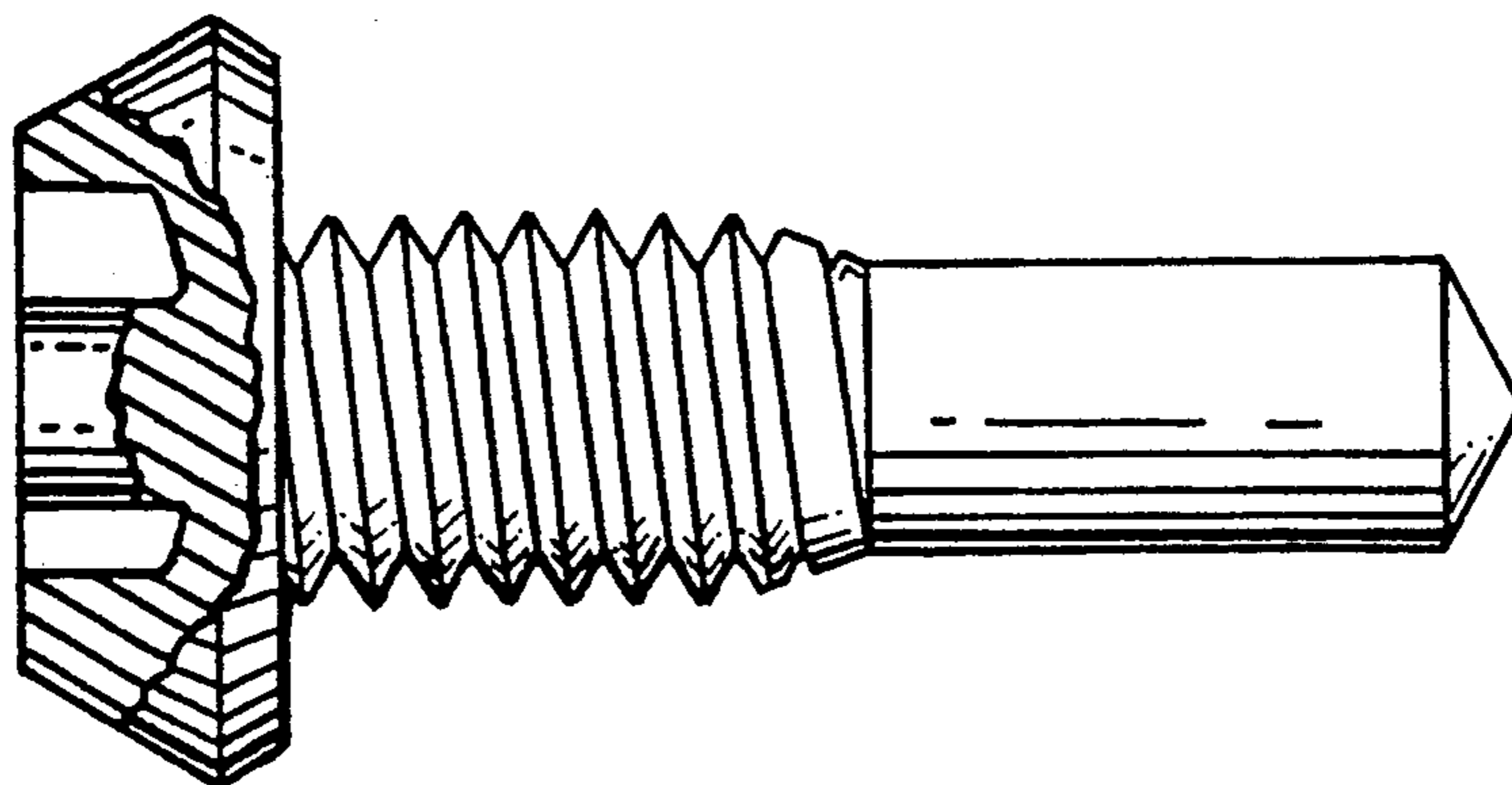


FIG. 1

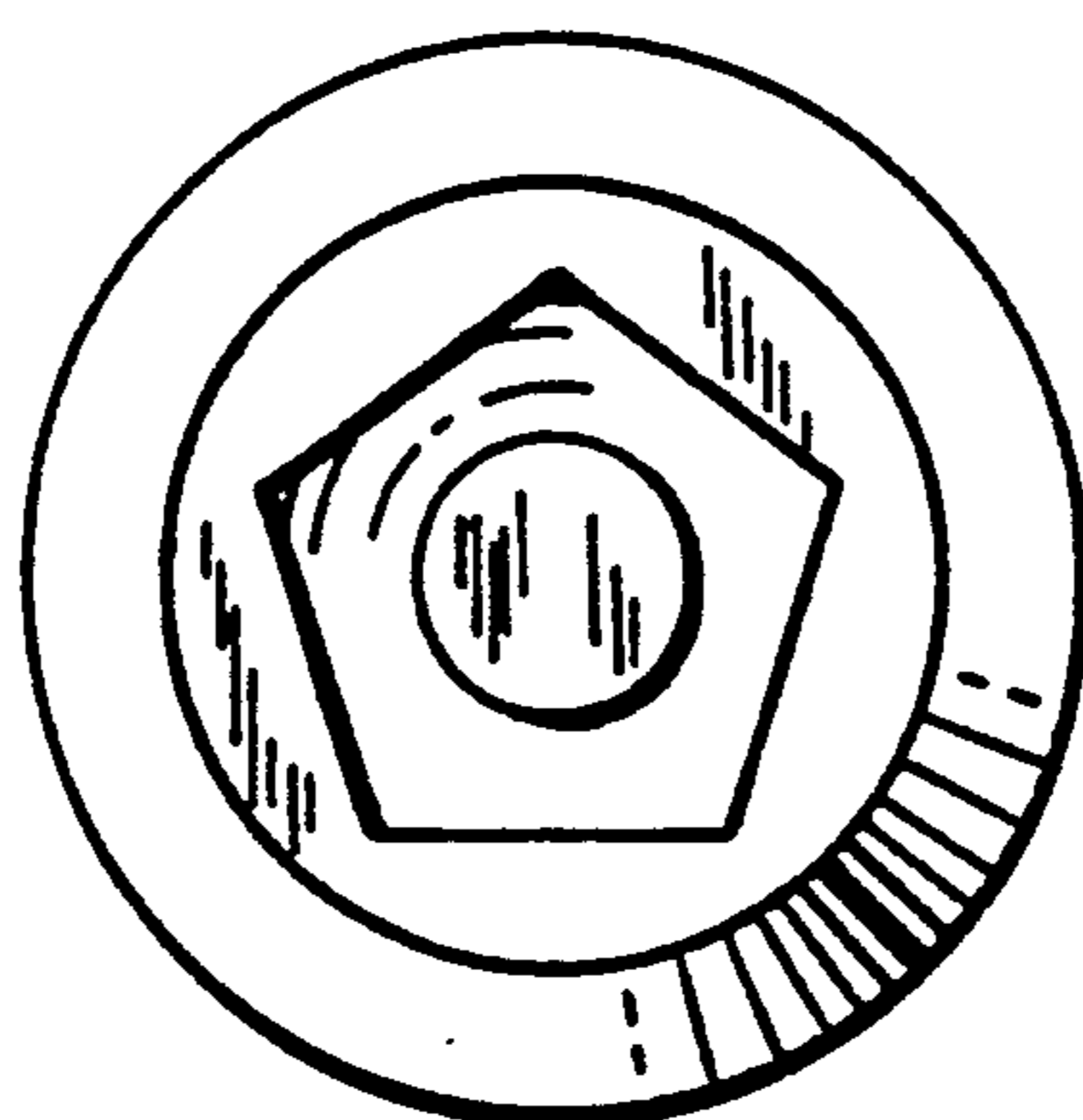


FIG. 2