



US00D322922S

United States Patent [19]

Swanson et al.

[11] Patent Number: **Des. 322,922**

[45] Date of Patent: **** Jan. 7, 1992**

[54] **SKI EDGE SHARPENER**

[76] Inventors: **Larry B. Swanson**, 108 Tanglewood Pl., Parkersburg, W. Va. 26101;
Robert E. Villers, Rte. 2, Box 114B, Mineral Wells, W. Va. 26150

[**] Term: **14 Years**

[21] Appl. No.: **337,453**

[22] Filed: **Apr. 13, 1989**

[52] U.S. Cl. **D8/91**

[58] Field of Search **D8/90, 91, 14; 76/82, 76/83, 88; D20/10**

[56] **References Cited**

U.S. PATENT DOCUMENTS

D. 216,358	12/1969	Gagne	D8/91
2,790,339	4/1957	Brink	76/82
3,391,946	7/1968	Luff	76/88

3,561,169	2/1971	Pirzek et al.	D8/91
3,899,942	8/1975	Bradbury	D8/91
4,121,484	10/1978	Görlach et al.	76/83
4,189,874	2/1980	Labriola	76/83
4,601,220	7/1986	Yurick, Jr.	D8/91

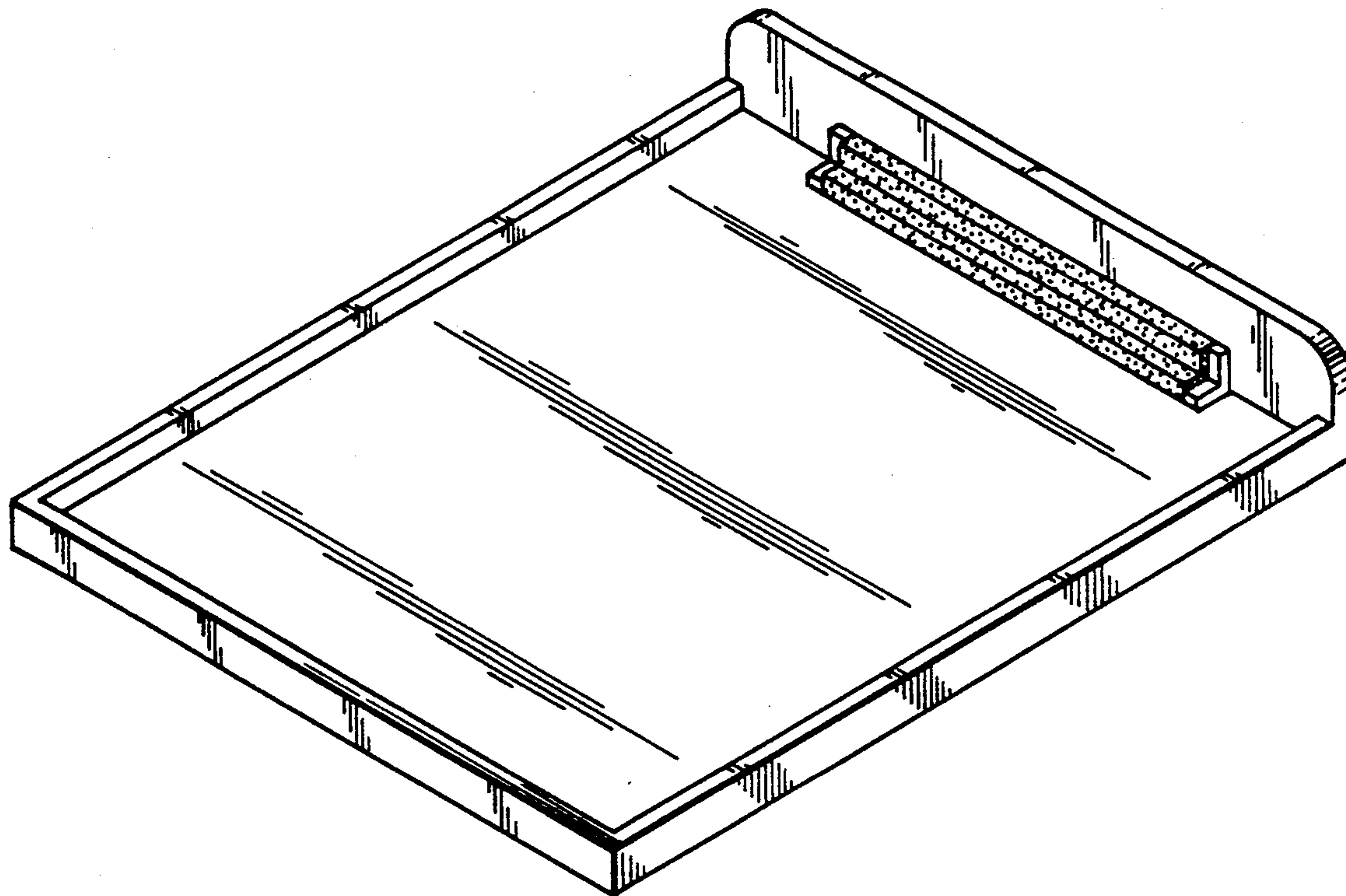
Primary Examiner—Bernard Ansher
Assistant Examiner—Philip Hyder
Attorney, Agent, or Firm—Thomas S. Baker, Jr.

[57] **CLAIM**

The ornamental design for a ski edge sharpener, as shown and described.

DESCRIPTION

FIG. 1 is a perspective view of a ski edge sharpener showing my new design;
FIG. 2 is a top plan view thereof;
FIG. 3 is a front elevational view thereof;
FIG. 4 is a left side elevational view thereof;
FIG. 5 is a right side elevational view thereof; and
FIG. 6 is a bottom plan view thereof.



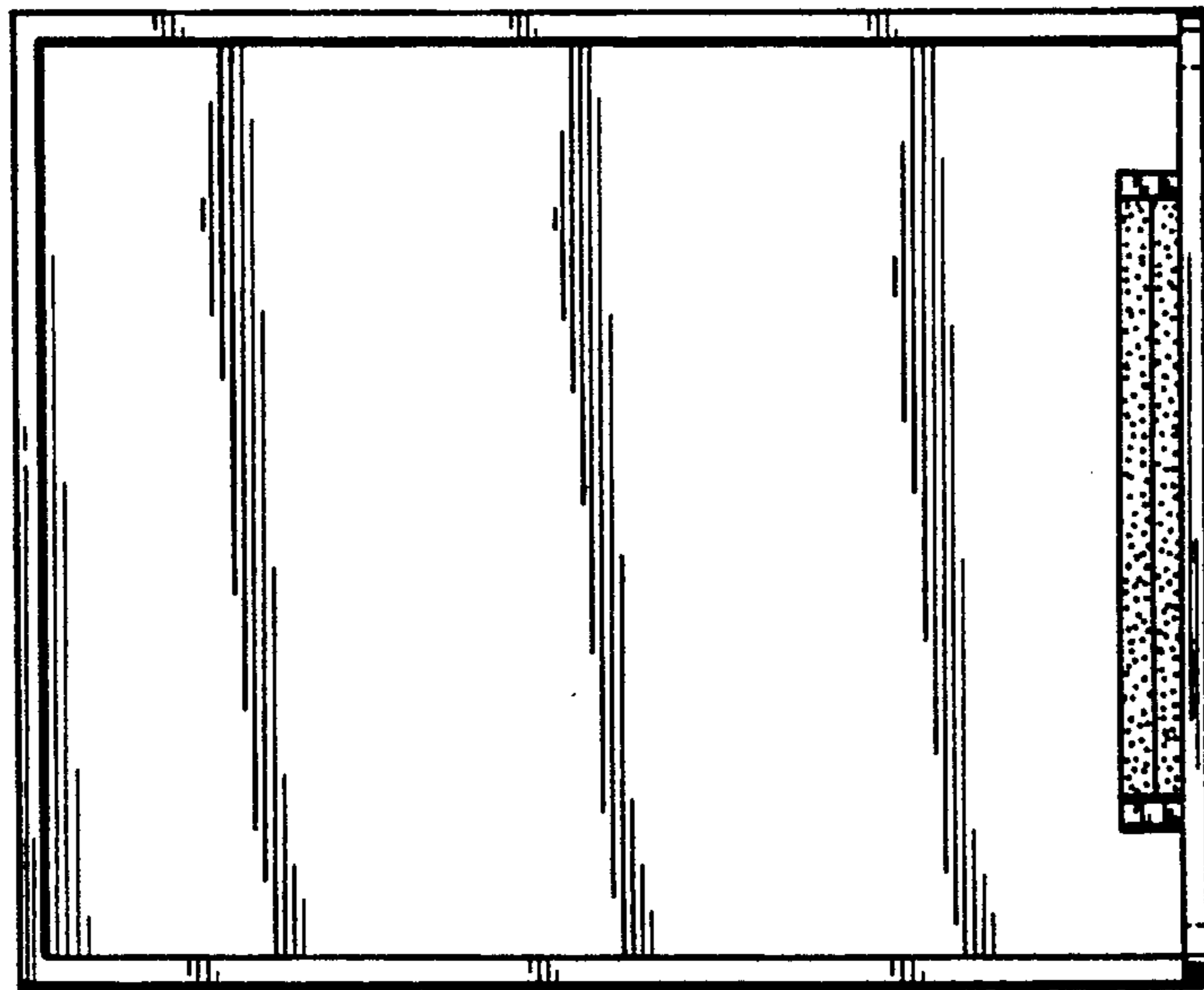
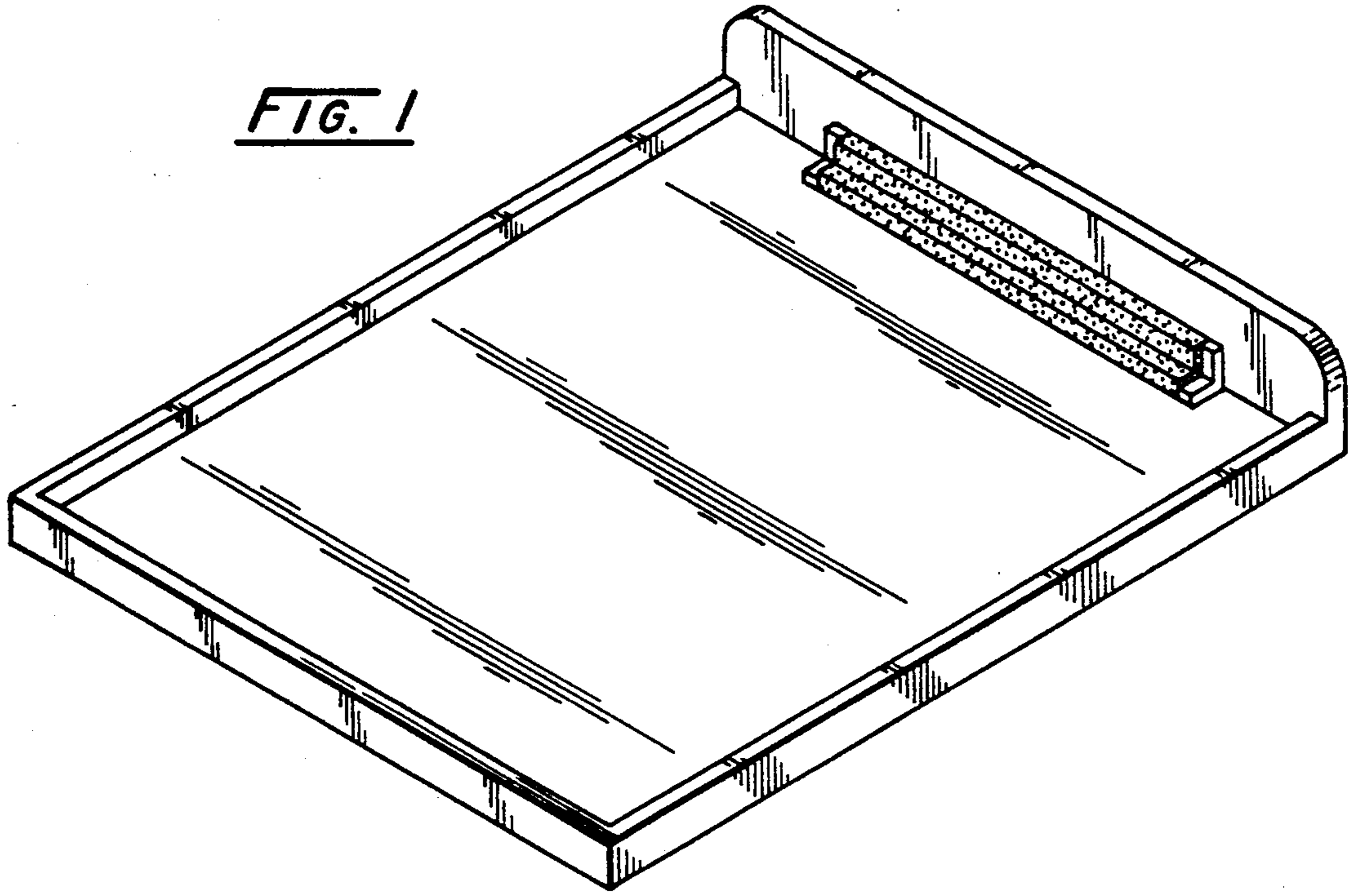


FIG. 2



FIG. 3



FIG. 4



FIG. 5

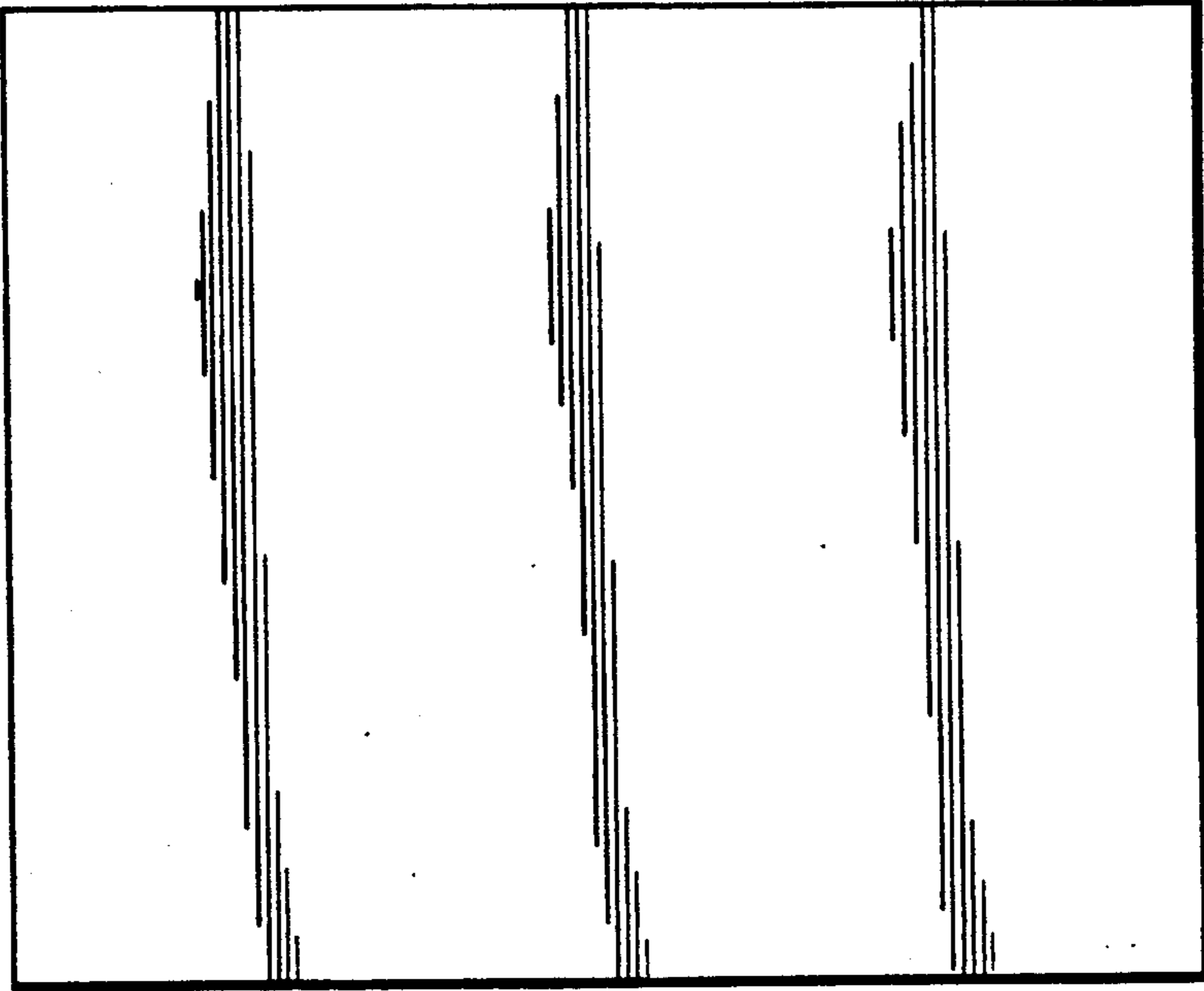


FIG. 6