



US00D322921S

United States Patent [19]

Bosten et al.

[11] Patent Number: **Des. 322,921**

[45] Date of Patent: **** Jan. 7, 1992**

[54] RECIPROCATING SAW

[75] Inventors: **Donald R. Bosten; James P. Nichols, Jr.**, both of Jackson, Tenn.

[73] Assignee: **Porter-Cable Corporation**, Jackson, Tenn.

[**] Term: **14 Years**

[21] Appl. No.: **317,352**

[22] Filed: **Mar. 1, 1989**

[52] U.S. Cl. **D8/64**

[58] Field of Search **D8/64, 61, 62; 30/377, 30/392, 393, 273; 81/57.11, 57.13, 57.14**

[56] References Cited

U.S. PATENT DOCUMENTS

D. 302,785	8/1989	Cunningham	D8/64
D. 303,346	9/1989	Ogawa	D8/61
D. 310,008	8/1990	Reiferscheid et al.	D8/64
2,337,769	12/1943	Redenbo	30/377
3,945,120	3/1976	Ritz	30/393
4,771,542	9/1988	Beveridge	30/392

OTHER PUBLICATIONS

Two pages of a Flex catalog available at a trade show in Europe in Mar. 1988.

Photographs of a prototype saw which was field-tested by the assignee of the present application for the purpose of functionality.

Primary Examiner—Nelson C. Holtje

Assistant Examiner—J. H. Musgrove

Attorney, Agent, or Firm—Merchant, Gould, Smith, Edell, Welter & Schmidt

[57] CLAIM

The ornamental design for a reciprocating saw, as shown and described.

DESCRIPTION

FIG. 1 is a top and right rear perspective view of a reciprocating saw showing our new design;

FIG. 2 is a top plan view;

FIG. 3 is a left side elevational view;

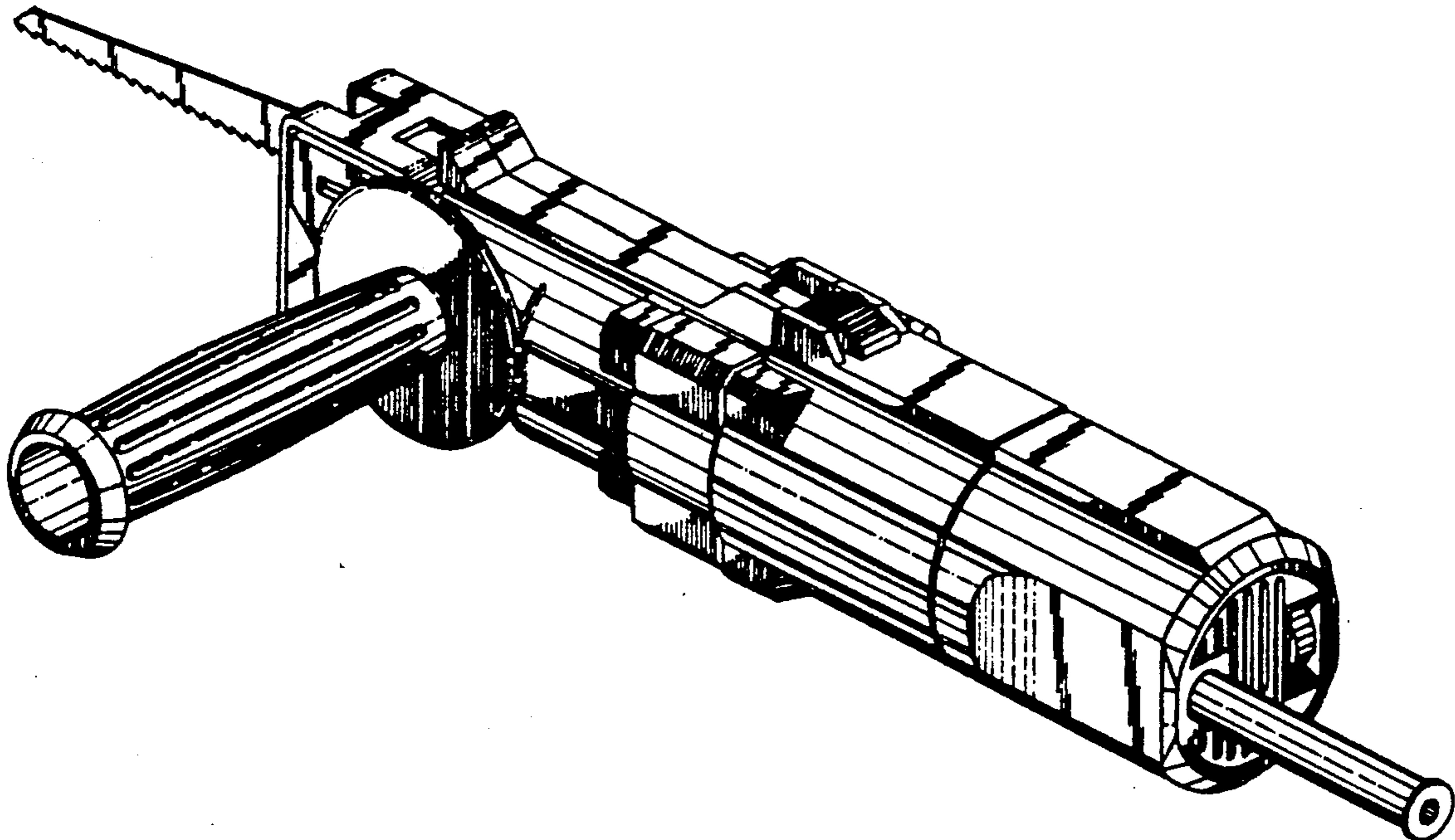
FIG. 4 is a bottom plan view;

FIG. 5 is a right side elevational view;

FIG. 6 is a front elevational view;

FIG. 7 is a rear elevational view; and

FIG. 8 is a rear top and right rear perspective view thereof with the handle removed for ease of illustration.



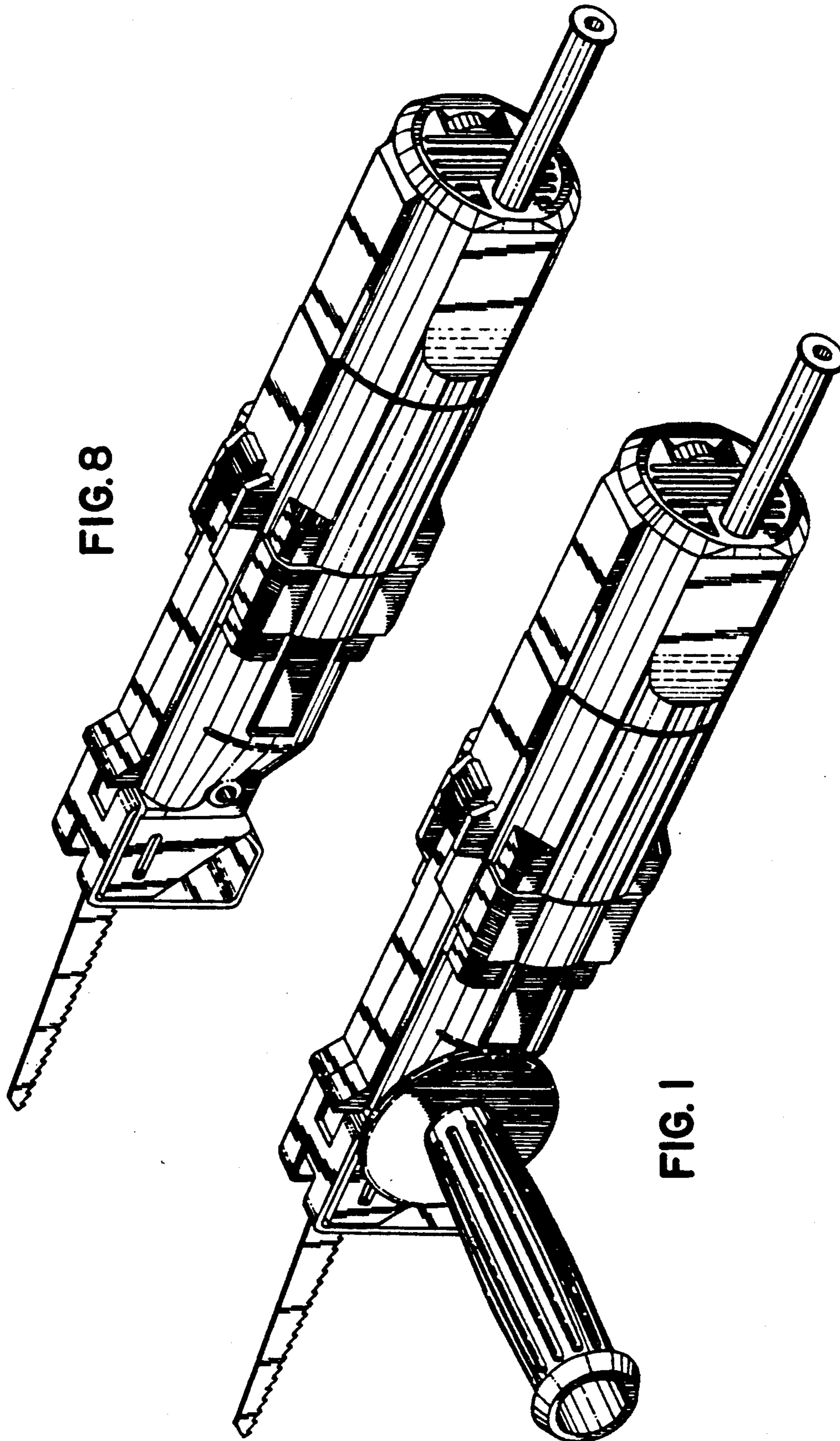


FIG. 8

FIG. 1

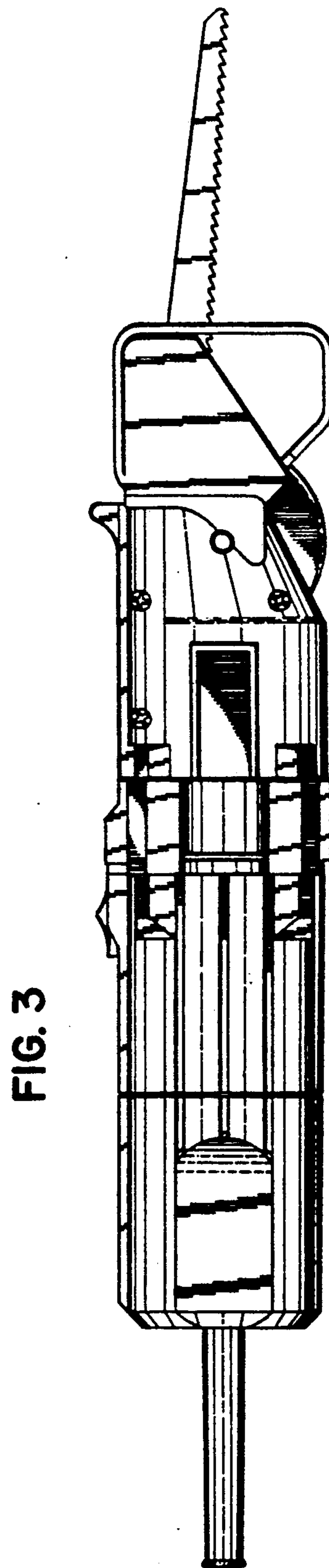
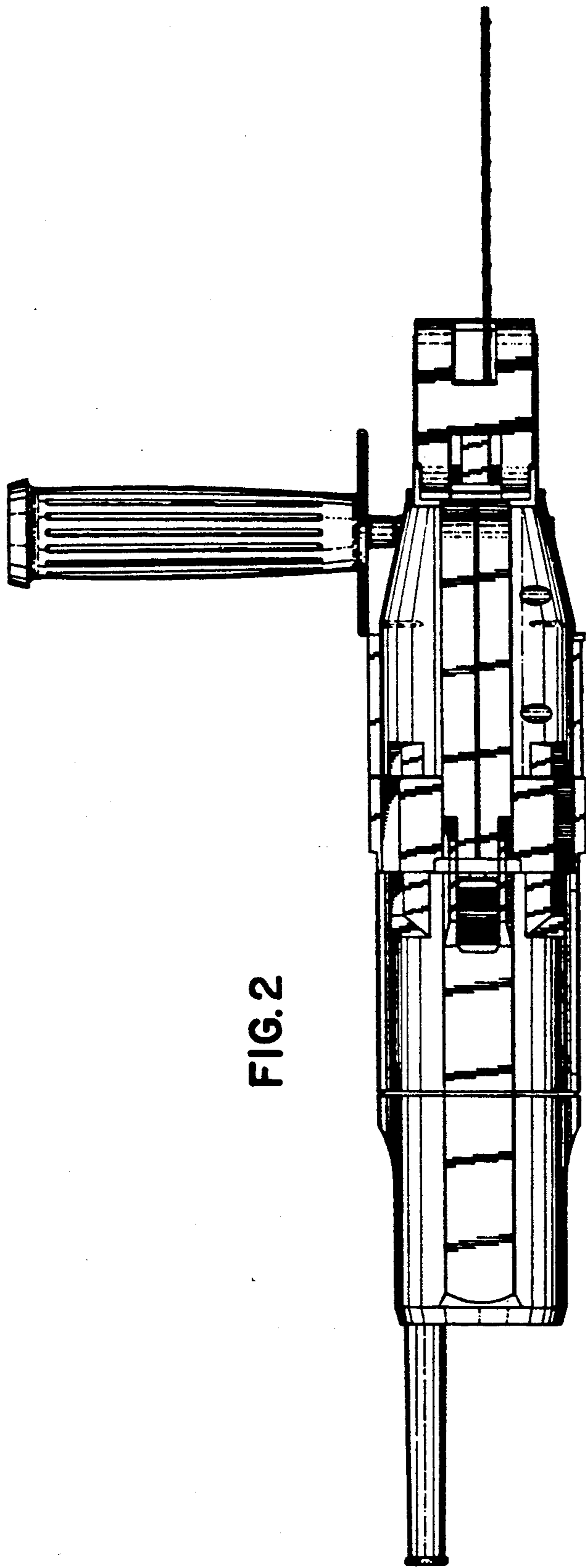


FIG. 4

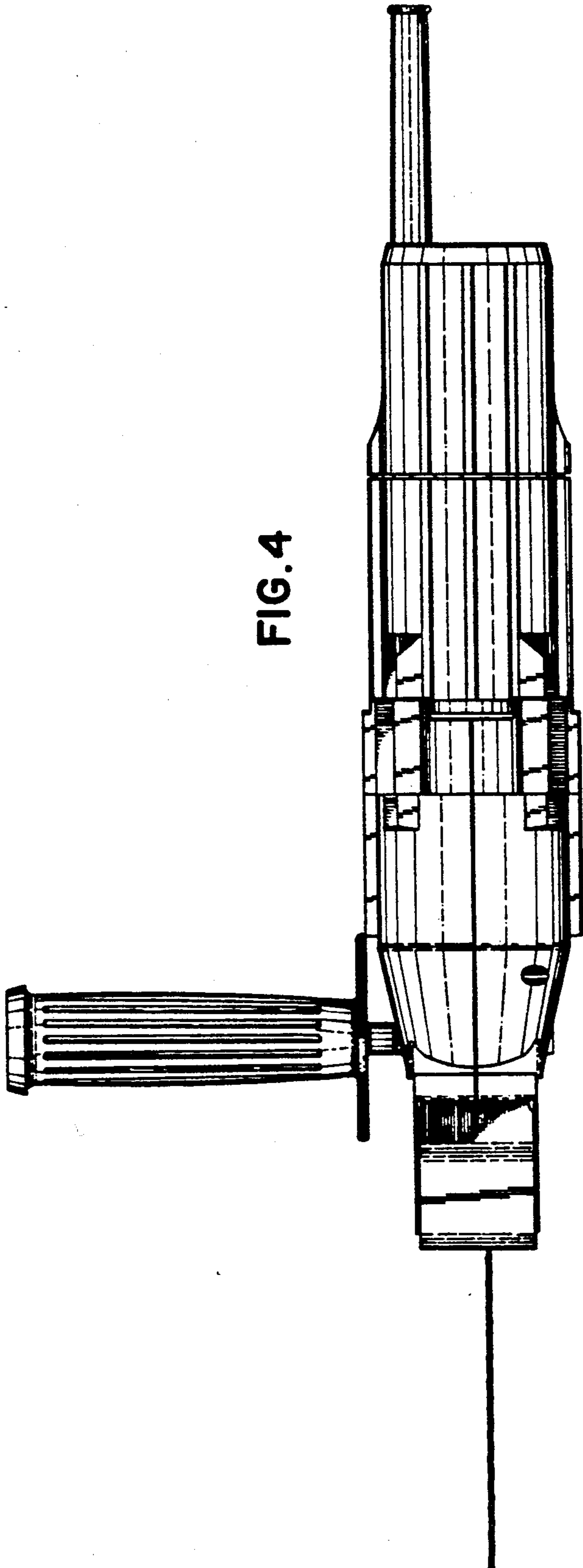


FIG. 5

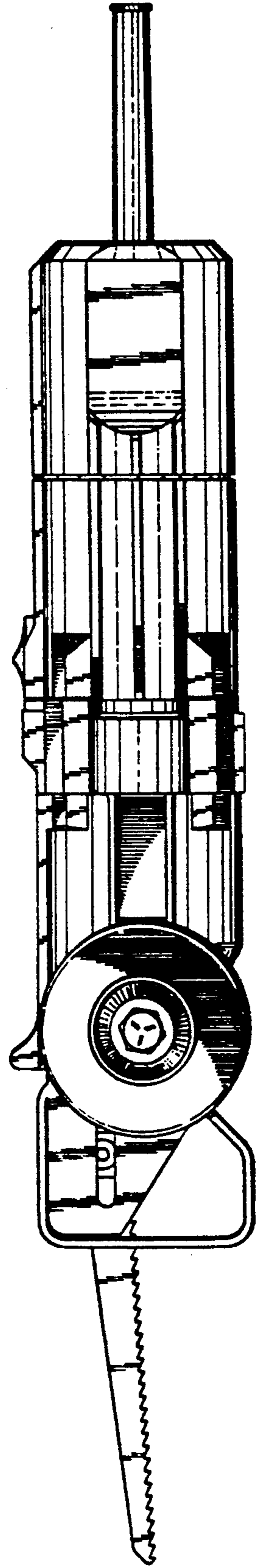


FIG. 6

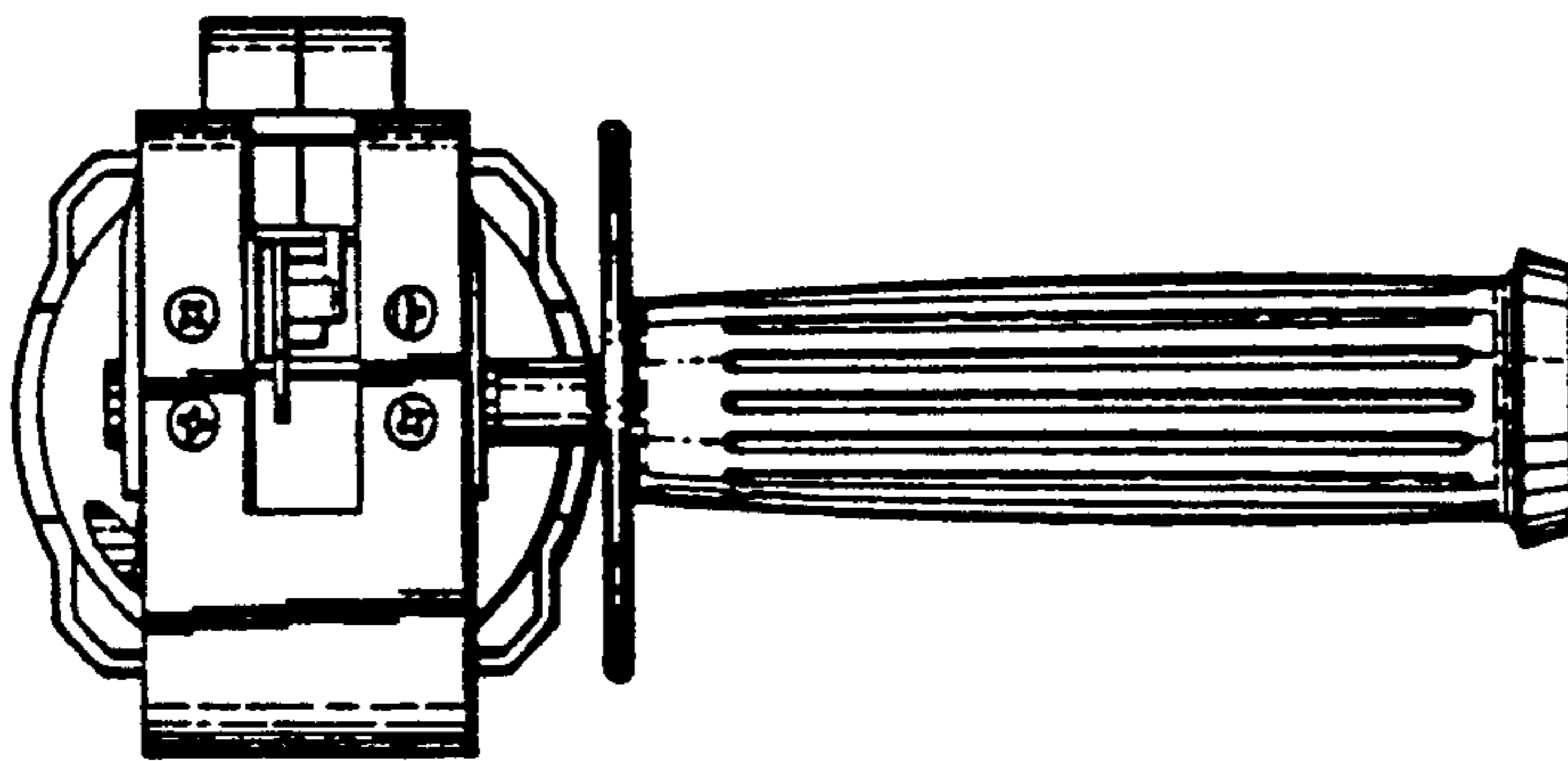


FIG. 7

