



US00D322919S

United States Patent [19]

Holcomb et al.

[11] Patent Number: **Des. 322,919**

[45] Date of Patent: **** Jan. 7, 1992**

[54] **HAND-HELD CAN OPENER**

2,924,878 2/1960 Brown 30/15.5

[75] Inventors: **David A. Holcomb; Christopher C. Cressman**, both of Seattle, Wash.

FOREIGN PATENT DOCUMENTS

[73] Assignee: **Chef'N Corporation**, Seattle, Wash.

7312878 7/1986 China .
 7510198 5/1989 China .
 7510458 7/1989 China .
 7328346 3/1985 Japan .
 7420634 4/1986 Japan .

[**] Term: **14 Years**

[21] Appl. No.: **442,937**

Primary Examiner—Terry A. Pfeffer
Attorney, Agent, or Firm—Seed and Berry

[22] Filed: **Nov. 29, 1989**

[52] U.S. Cl. **D8/39**

[57] CLAIM

[58] Field of Search **D8/33-34, D8/36, 40-41, 39; 30/400, 404, 409, 424-427**

The ornamental design for a hand-held can opener, as shown and described.

[56] References Cited

DESCRIPTION

U.S. PATENT DOCUMENTS

44,856 11/1864 Dick 30/5
 191,416 5/1877 Fetter 30/5
 280,495 5/1883 McWilliams 30/5
 D. 282,521 2/1986 Steinko D8/39
 D. 304,900 12/1989 Miquelot D8/39
 2,718,056 9/1955 Burnett 30/15.5

FIG. 1 is a left-side elevational view of a hand-held can opener showing our new design;
 FIG. 2 is a rear elevational view thereof;
 FIG. 3 is a front elevational view thereof;
 FIG. 4 is a right side elevational view thereof;
 FIG. 5 is a top plan view thereof; and
 FIG. 6 is a bottom plan view thereof.

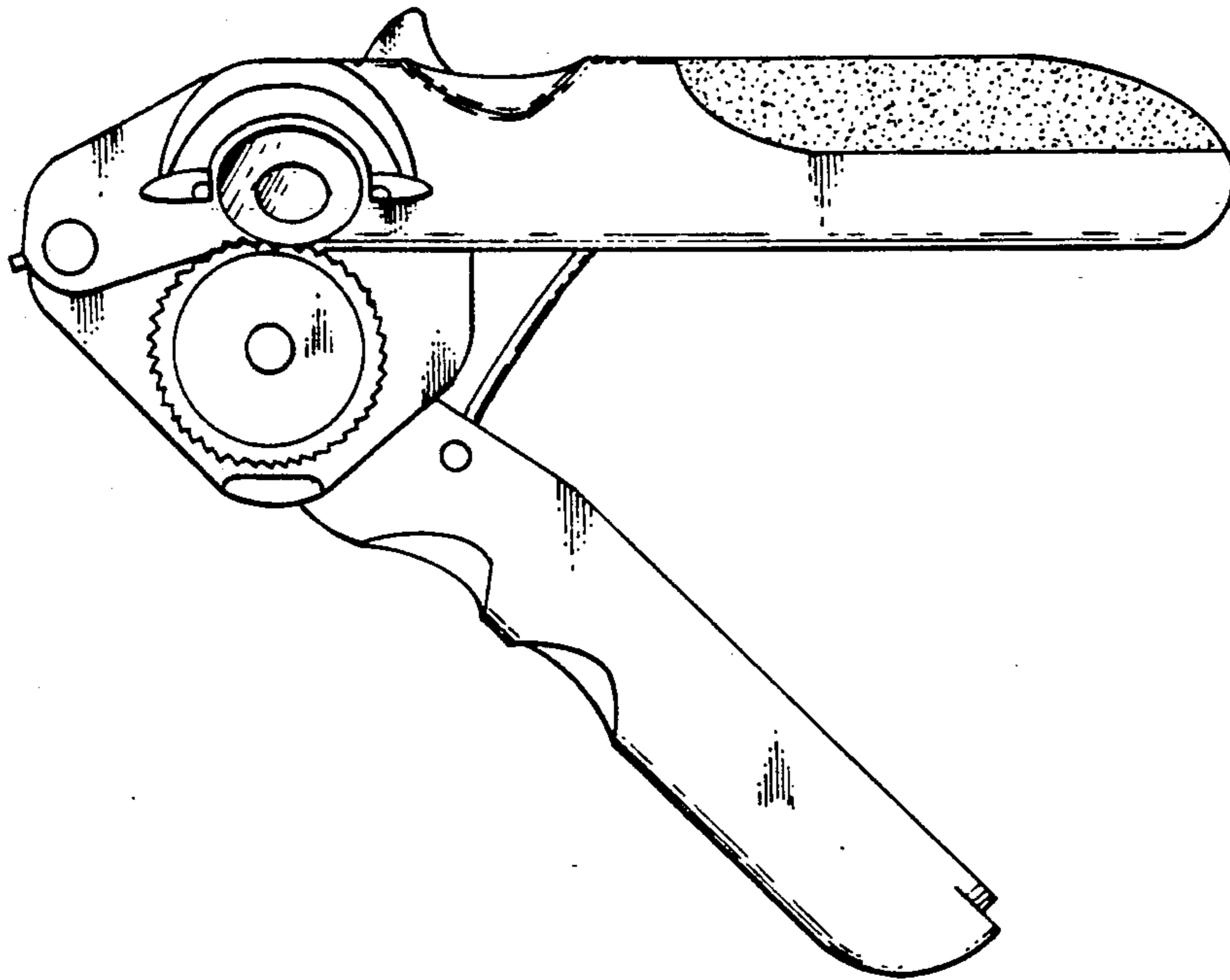


FIG.1

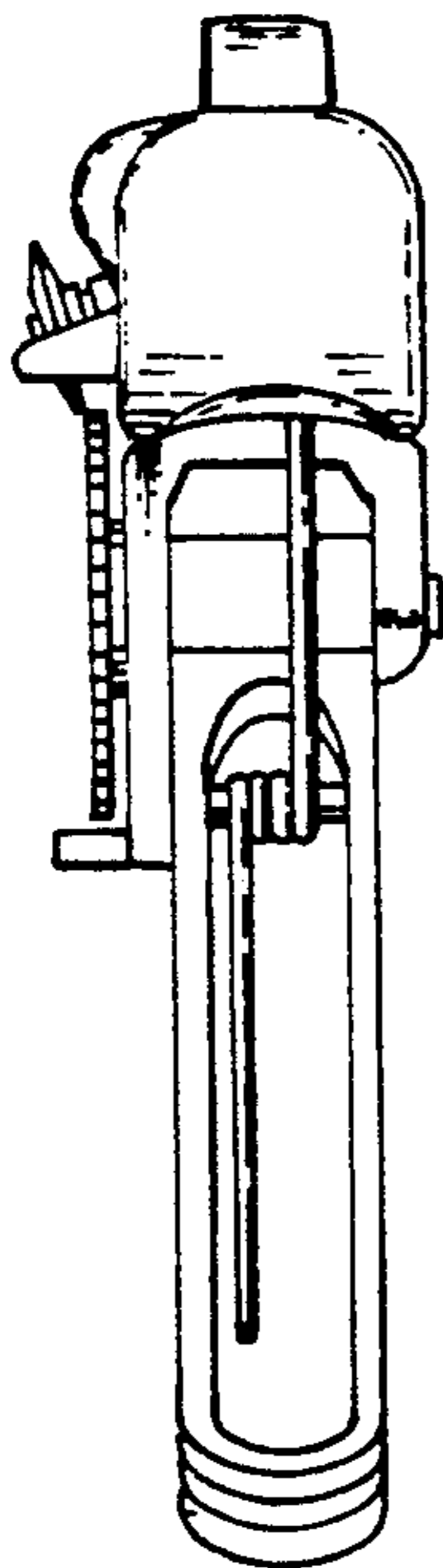
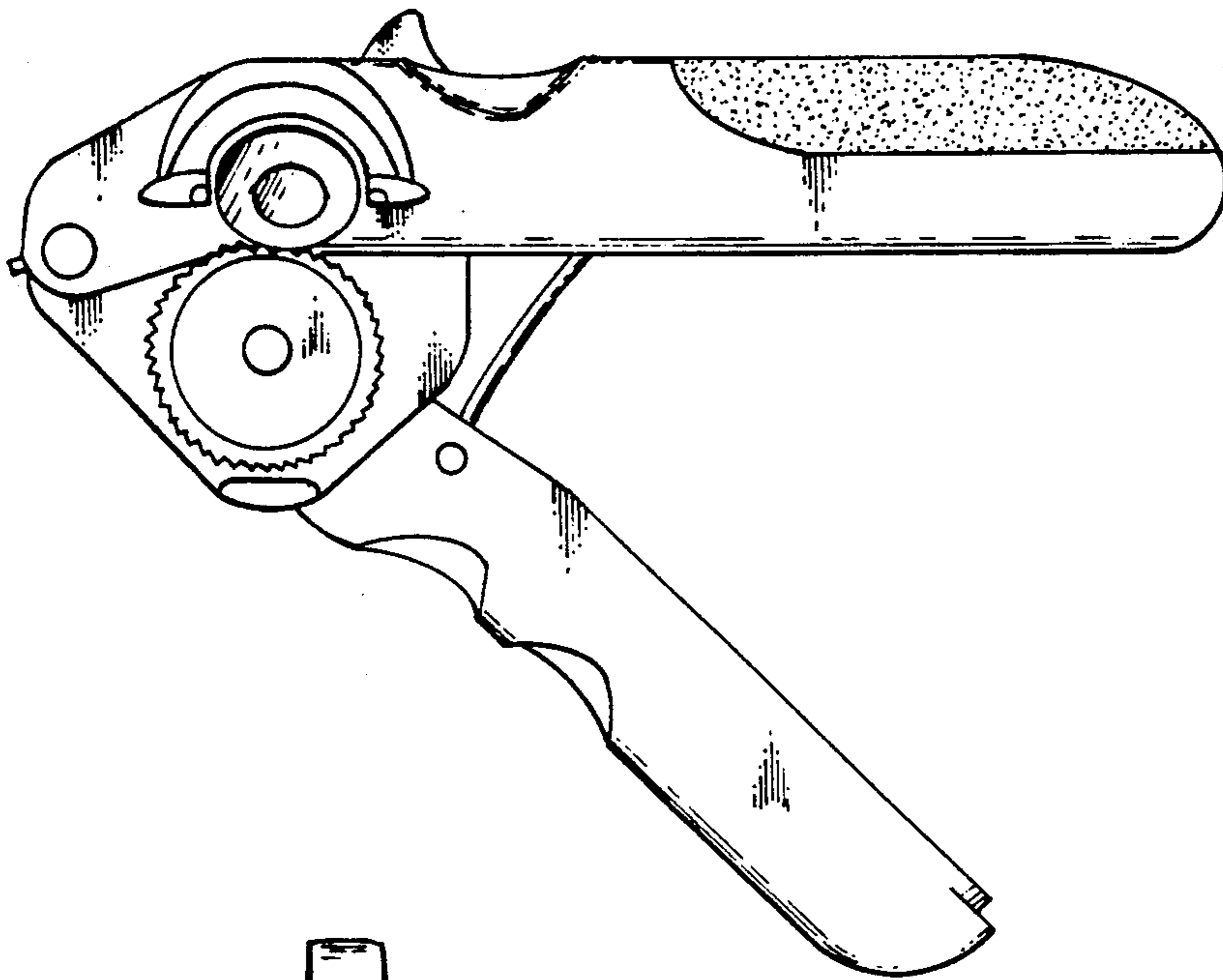


FIG.2

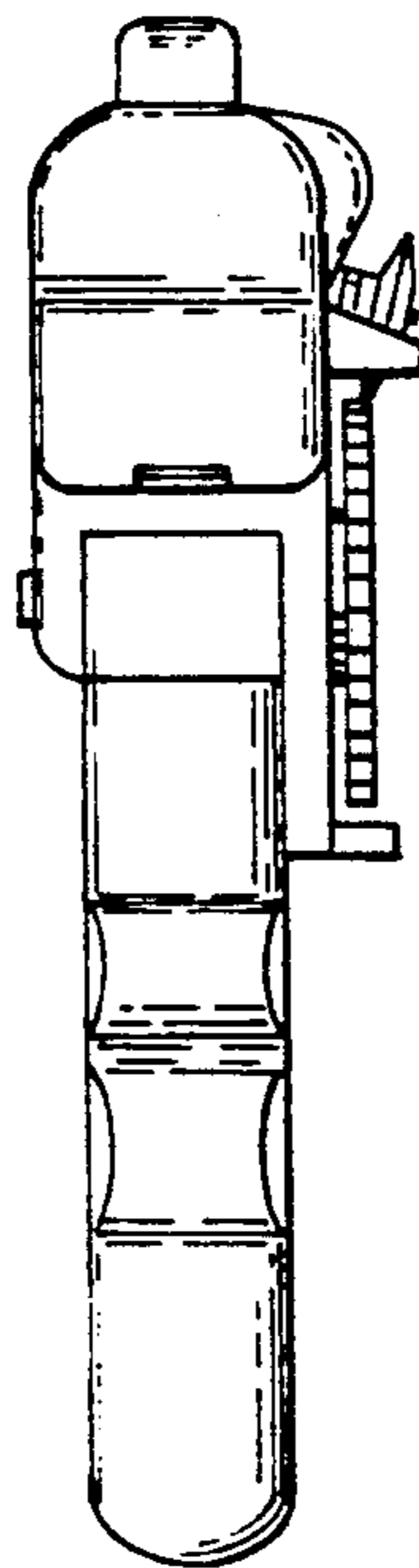


FIG.3

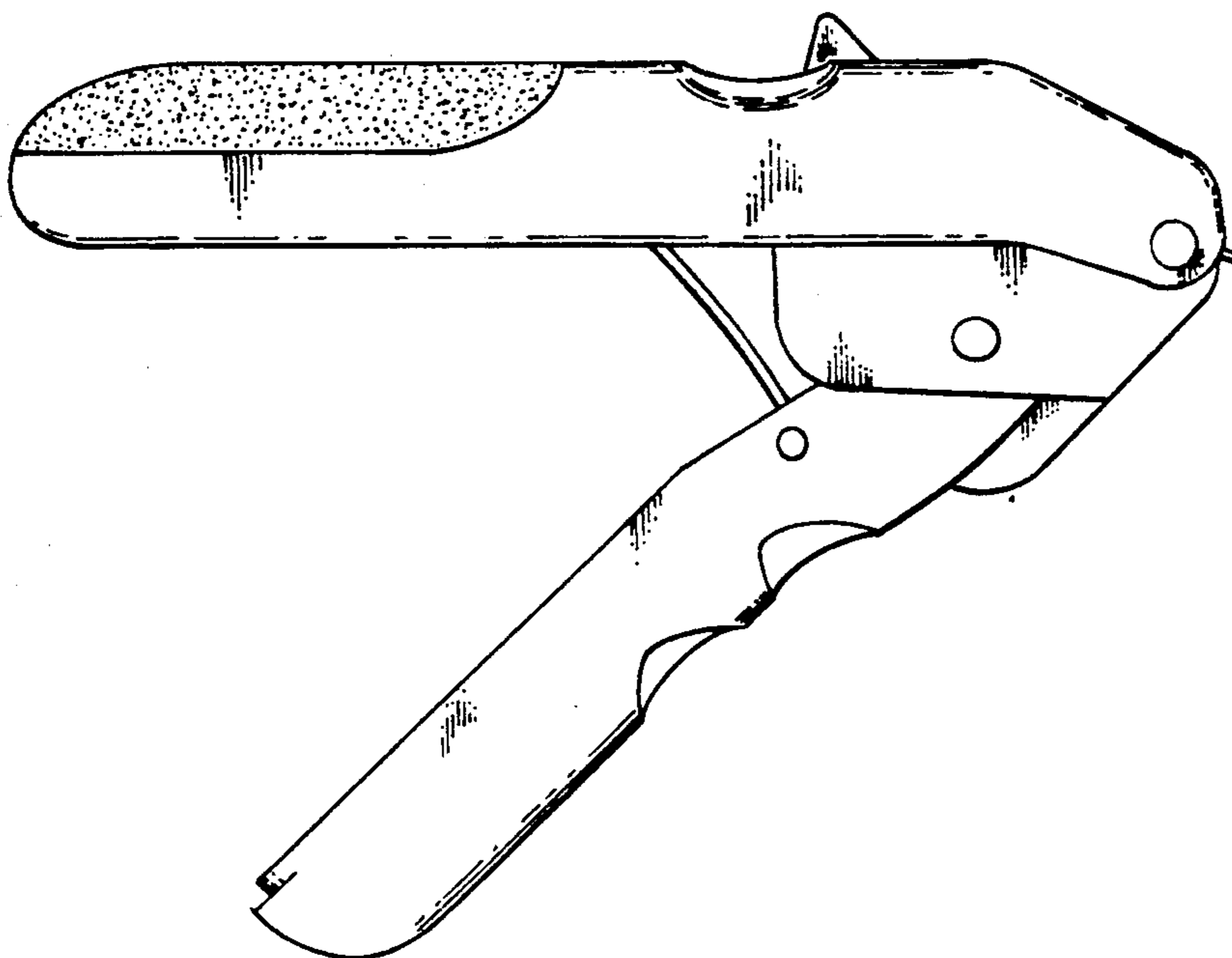


FIG. 4

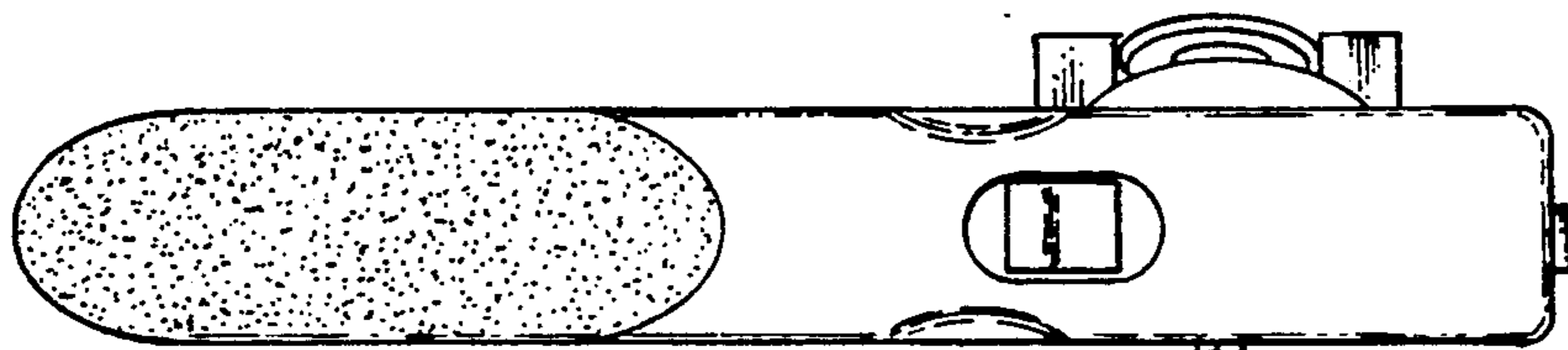


FIG. 5

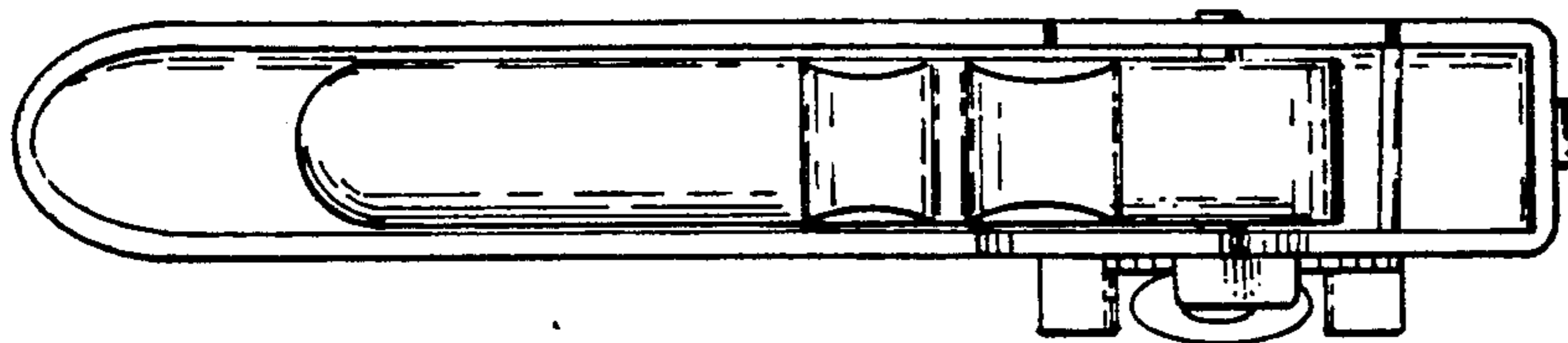


FIG. 6