



US00D322916S

United States Patent [19]

Krietsch

[11] Patent Number: **Des. 322,916**

[45] Date of Patent: **** Jan. 7, 1992**

[54] BOTTLE INSULATOR

[76] Inventor: **Judith A. Krietsch, R.R. 3, Box 182, Richfield Springs, N.Y. 13439**

[**] Term: **14 Years**

[21] Appl. No.: **421,707**

[22] Filed: **Oct. 16, 1989**

[52] U.S. Cl. **D7/606**

[58] Field of Search **D7/514, 533, 605-608, D7/623; D17/11; D24/199; 62/457.1, 457.3, 457.4; 220/85 H, 903, 906**

[56] **References Cited**

U.S. PATENT DOCUMENTS

D. 298,970 12/1988 Dirks D24/199
3,302,428 2/1967 Stoner et al. 62/457.4

Primary Examiner—Terry A. Pfeffer
Attorney, Agent, or Firm—Richard L. Miller

[57] **CLAIM**

The ornamental design for bottle insulator, as shown and described.

DESCRIPTION

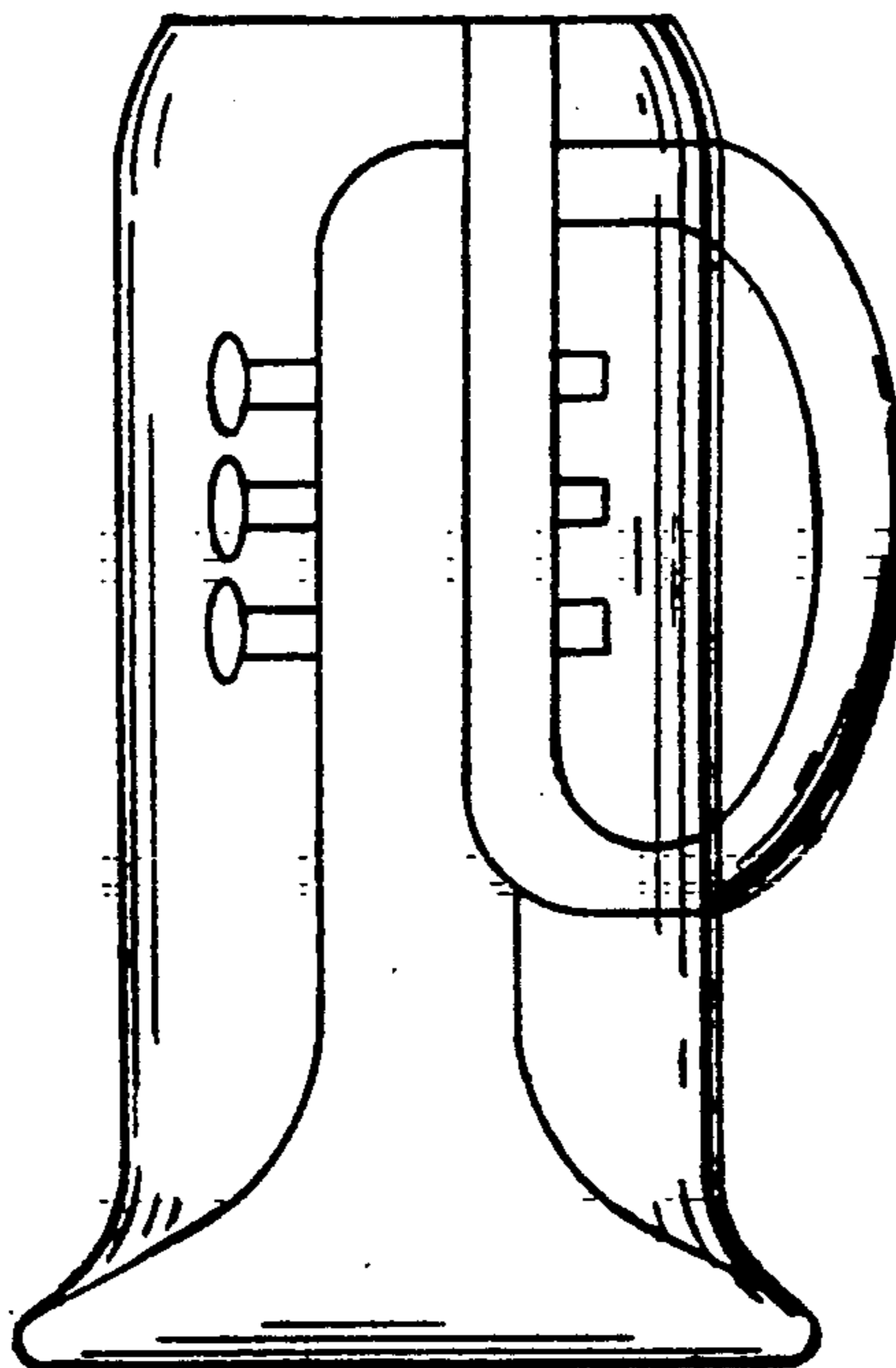
FIG. 1 is a top plan view of a bottle insulator showing my new design;

FIG. 2 is a left side elevational view thereof the opposite side being a mirror image of the side show herein;

FIG. 3 is a rear elevational view thereof;

FIG. 4 is a front elevational view thereof;

FIG. 5 is a bottom plan view thereof.



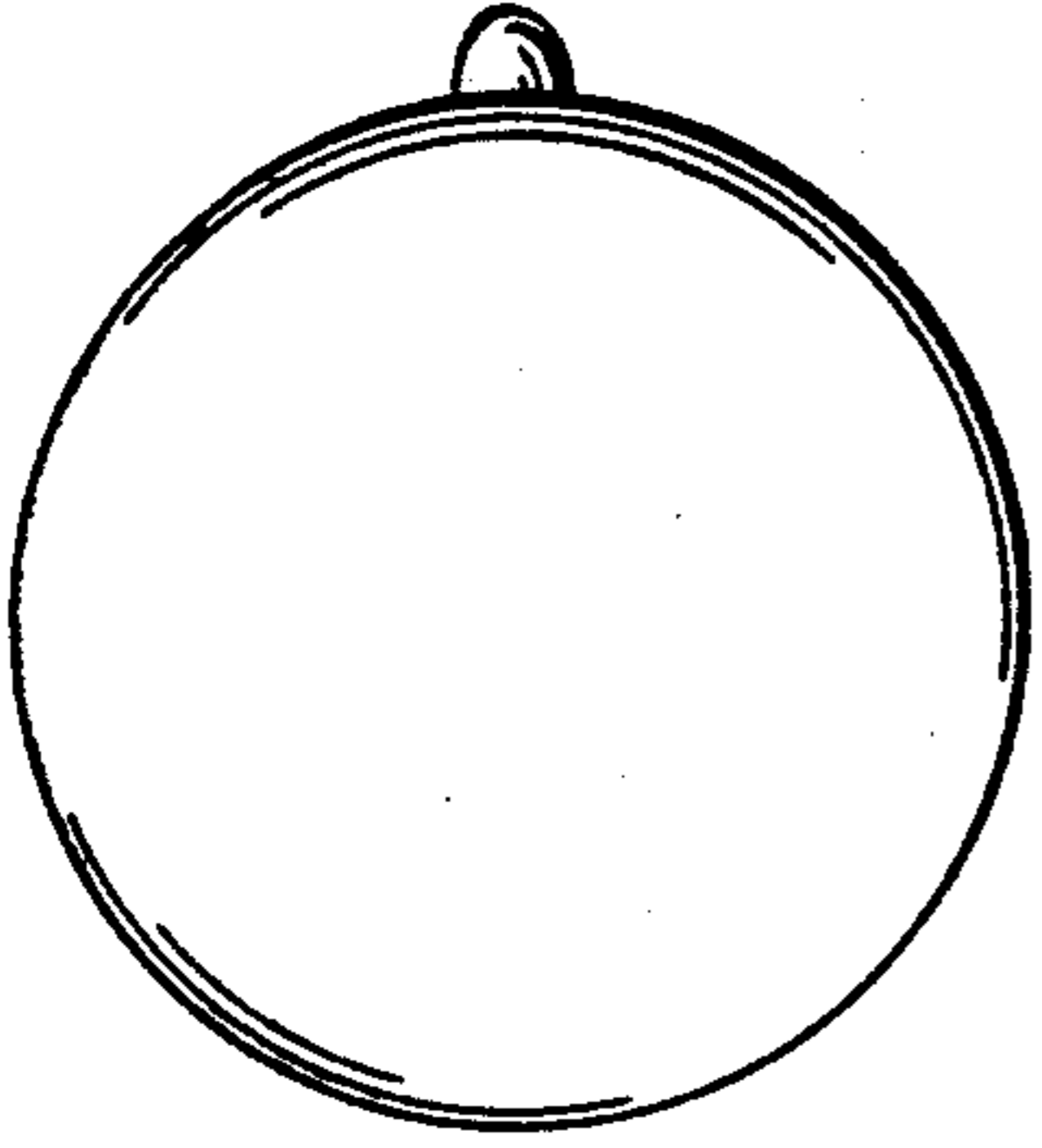


Fig. 5

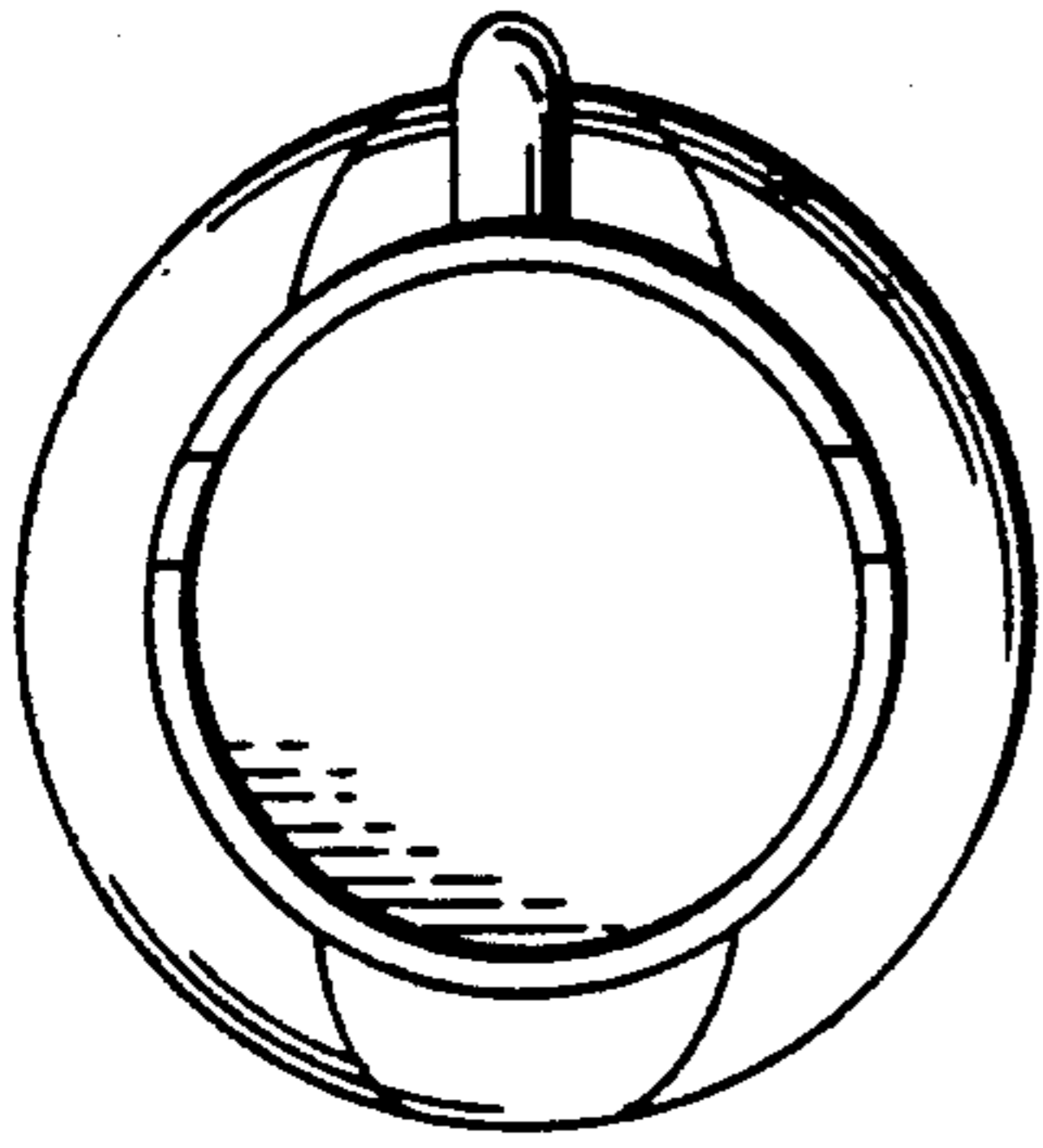


Fig. 1

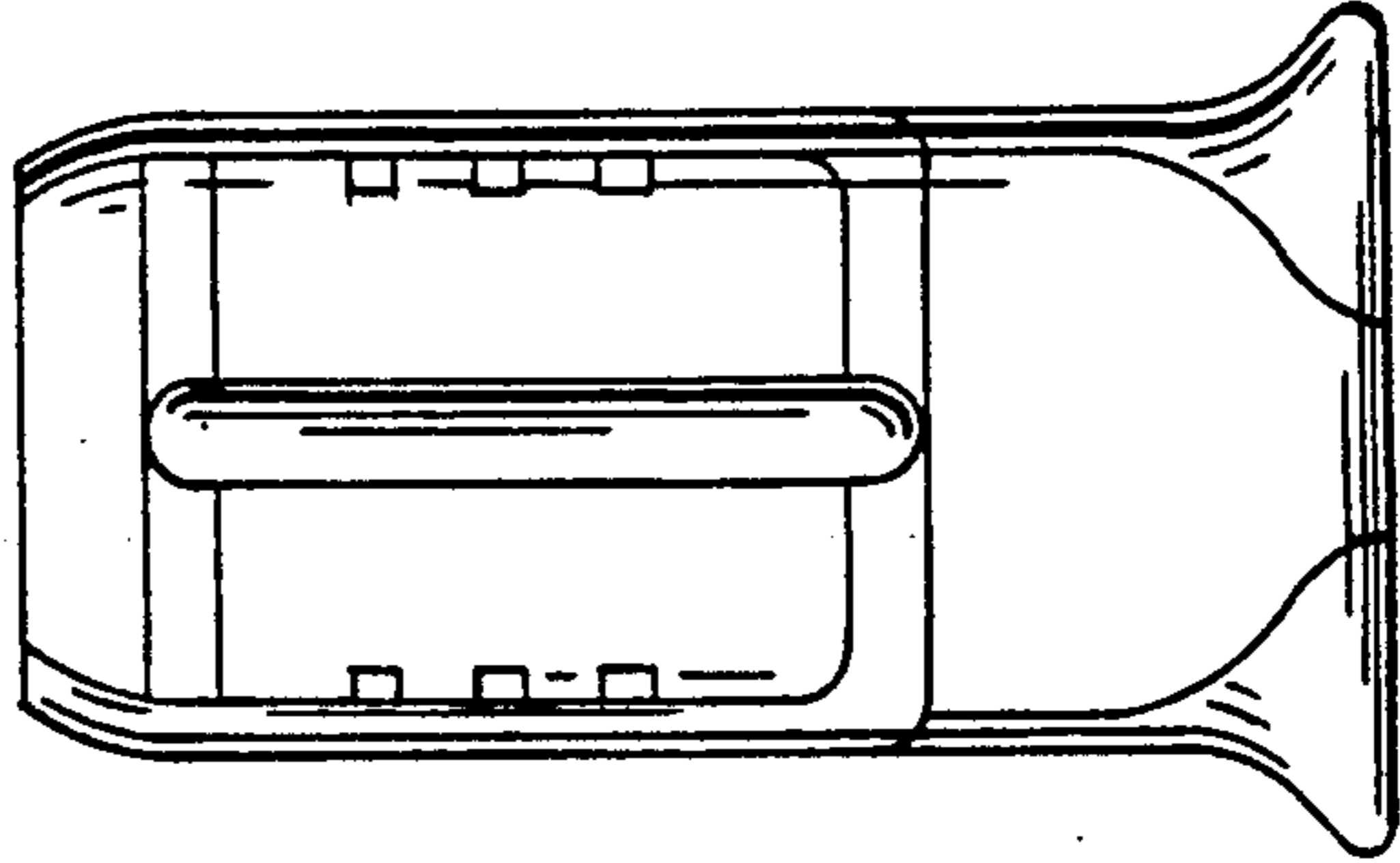


Fig. 3

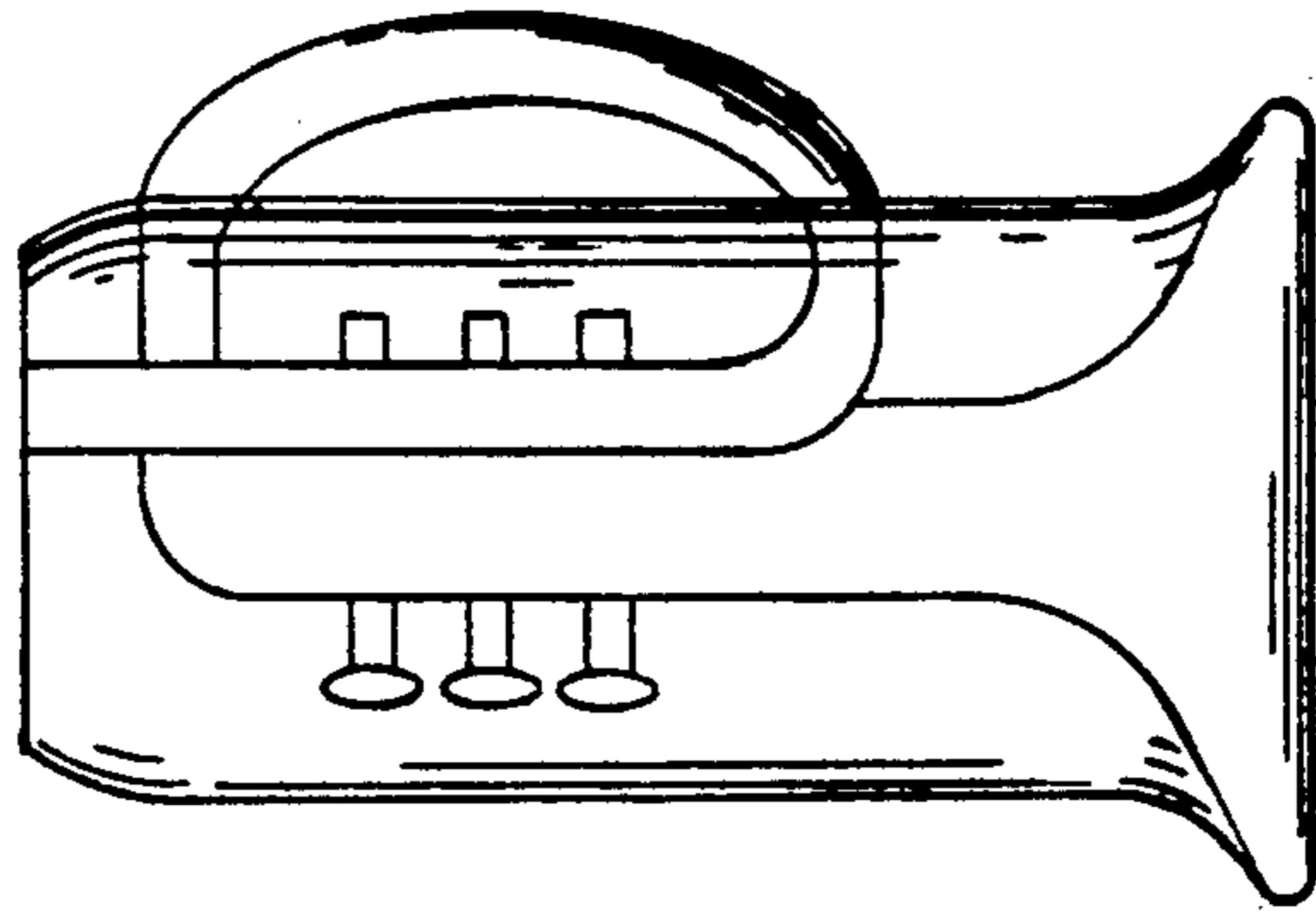


Fig. 2

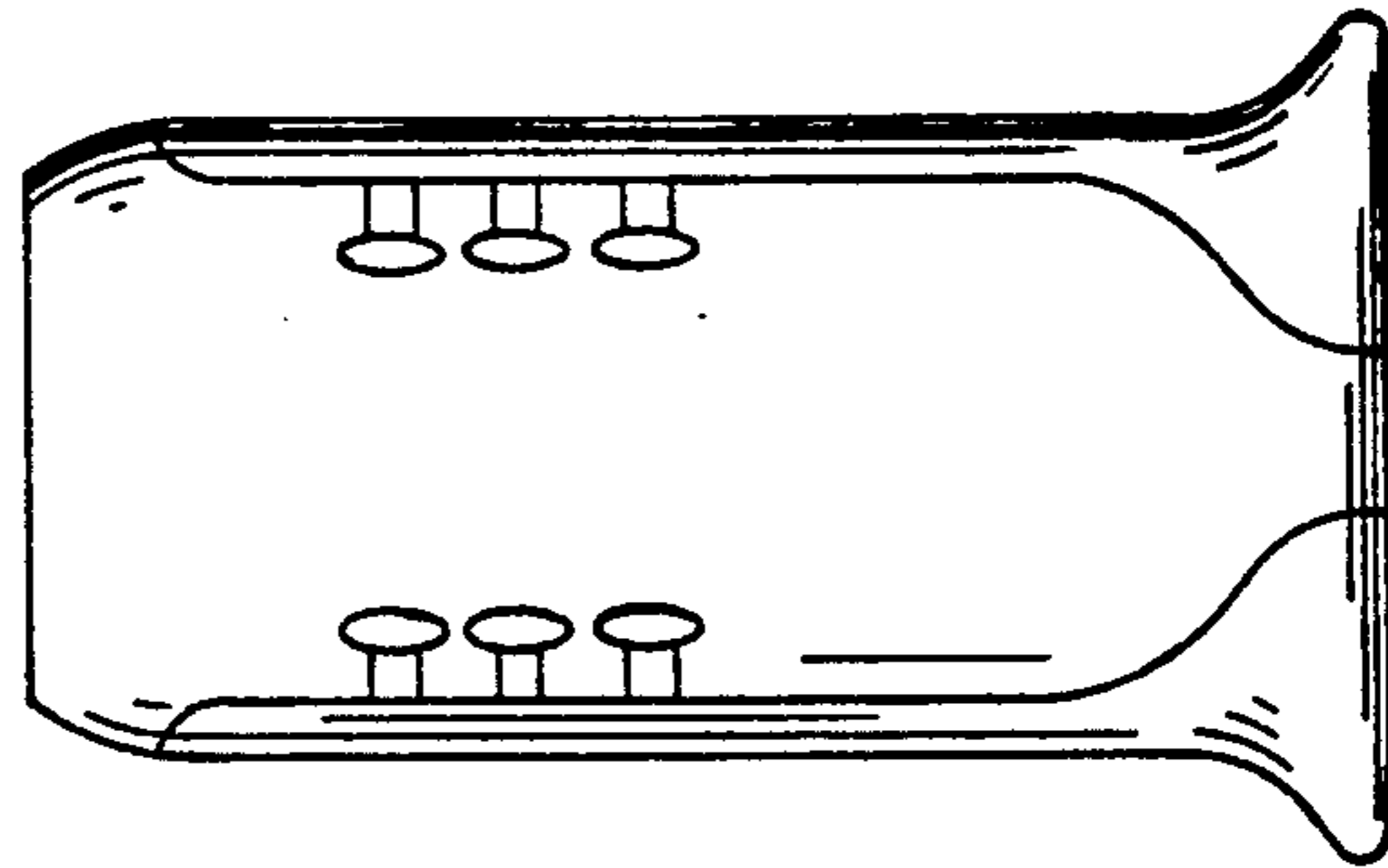


Fig. 4