



US00D322915S

**United States Patent** [19]  
**Franklin**

[11] **Patent Number: Des. 322,915**

[45] **Date of Patent: \*\* Jan. 7, 1992**

[54] **PORTABLE ICE CHEST**

4,846,493 7/1989 Mason ..... 280/38 X  
4,873,841 10/1989 Bradshaw et al. .... 62/457.1 X

[76] **Inventor: Laveta Franklin, 10 Horseshoe La.,  
Carson, Calif. 90745**

*Primary Examiner—Terry A. Pfeffer  
Attorney, Agent, or Firm—Jerry T. Kearns*

[\*\*] **Term: 14 Years**

[57] **CLAIM**

[21] **Appl. No.: 380,256**

The ornamental design for a portable ice chest, as shown and described.

[22] **Filed: Jul. 17, 1989**

[52] **U.S. Cl. .... D7/606**

**DESCRIPTION**

[58] **Field of Search .... D7/605-608;  
D21/250; D34/19; 62/457.1, 457.7; 280/641,  
645, 38, 43.1**

FIG. 1 is a front elevational view of a portable ice chest showing my new design;

FIG. 2 is a rear elevational view thereof;

FIG. 3 is a left side elevational view thereof;

FIG. 4 is a right side elevational view thereof;

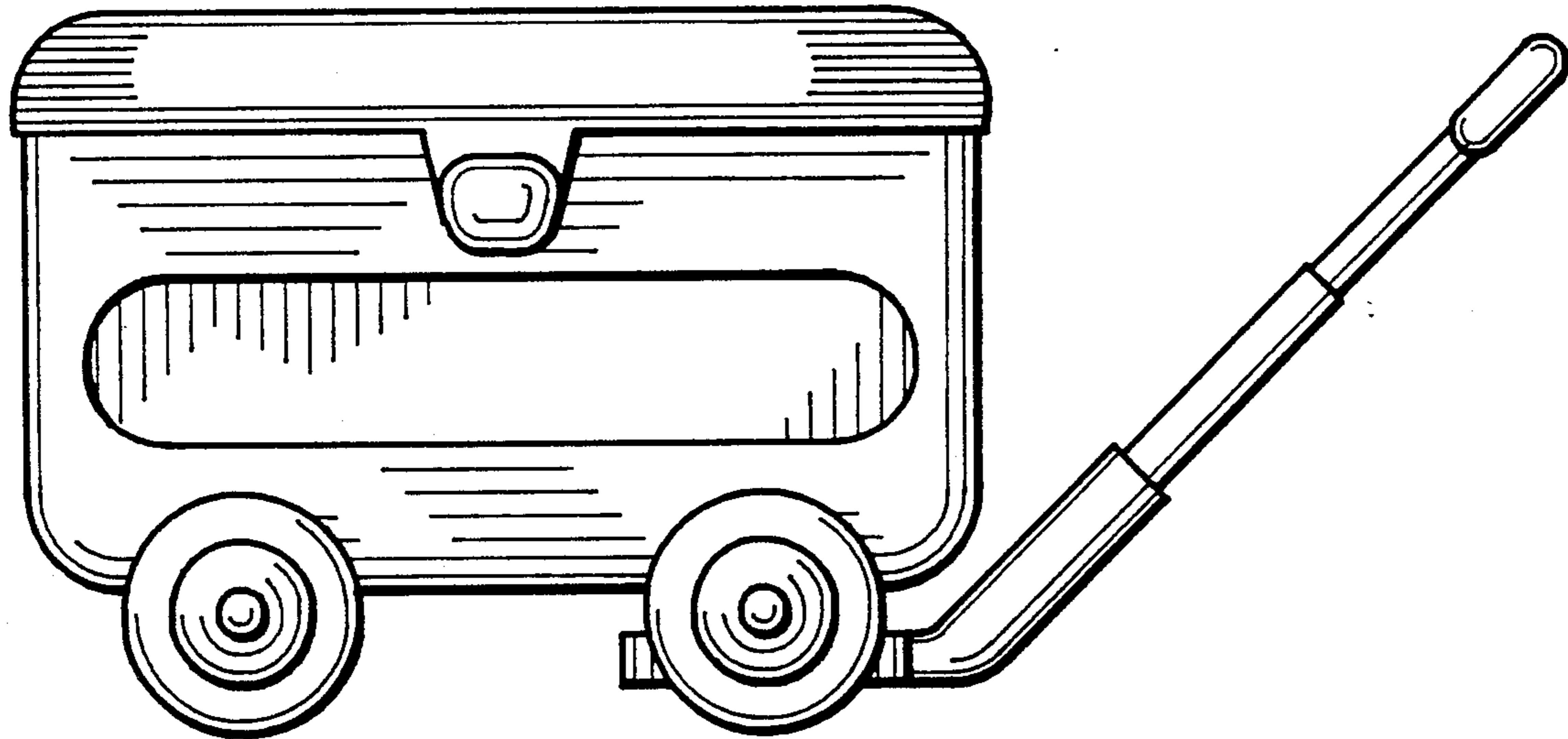
FIG. 5 is a top plan view thereof; and,

FIG. 6 is a bottom plan view thereof.

[56] **References Cited**

**U.S. PATENT DOCUMENTS**

D. 303,602 9/1989 Barron ..... D7/626



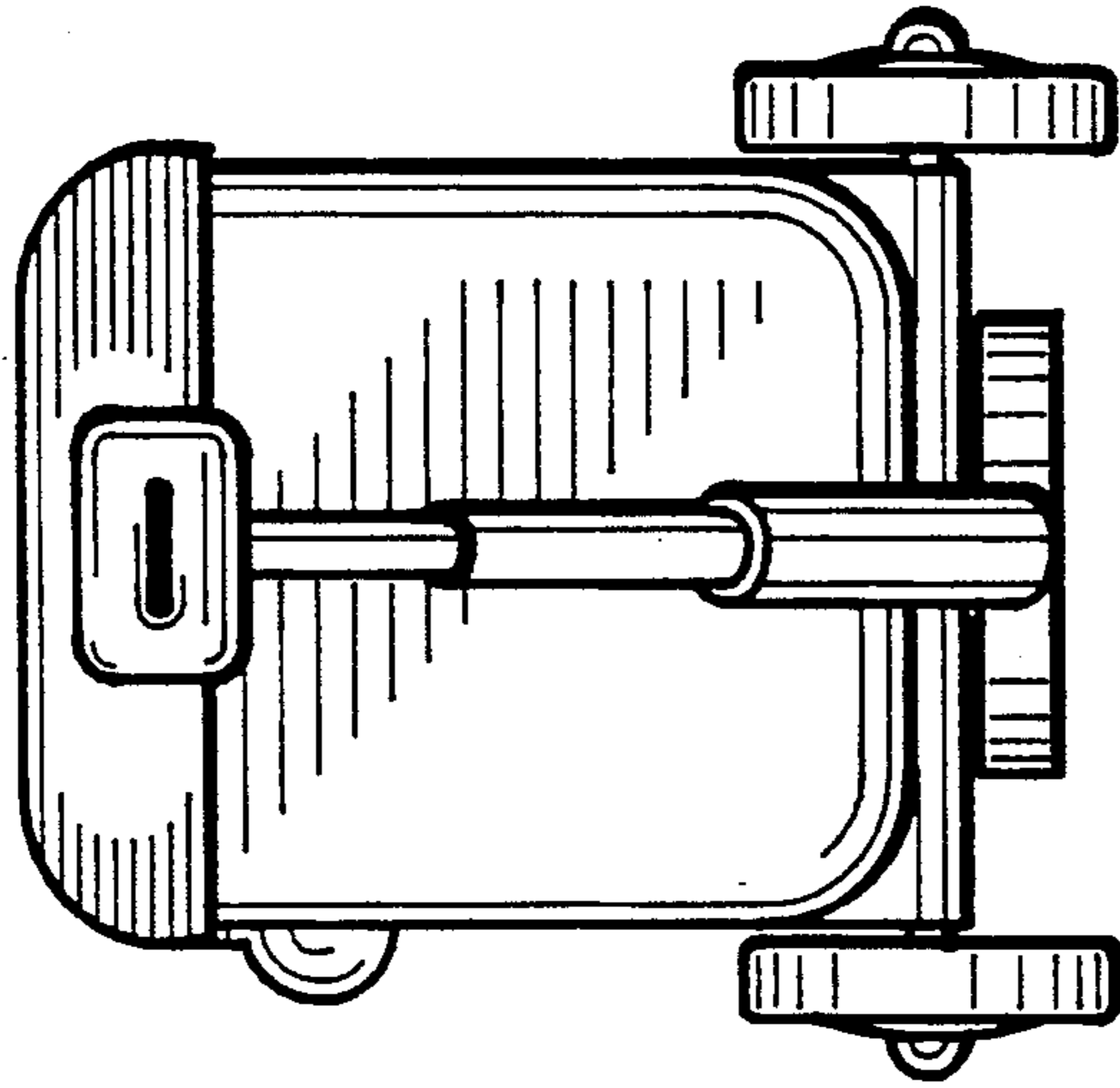


Fig. 1

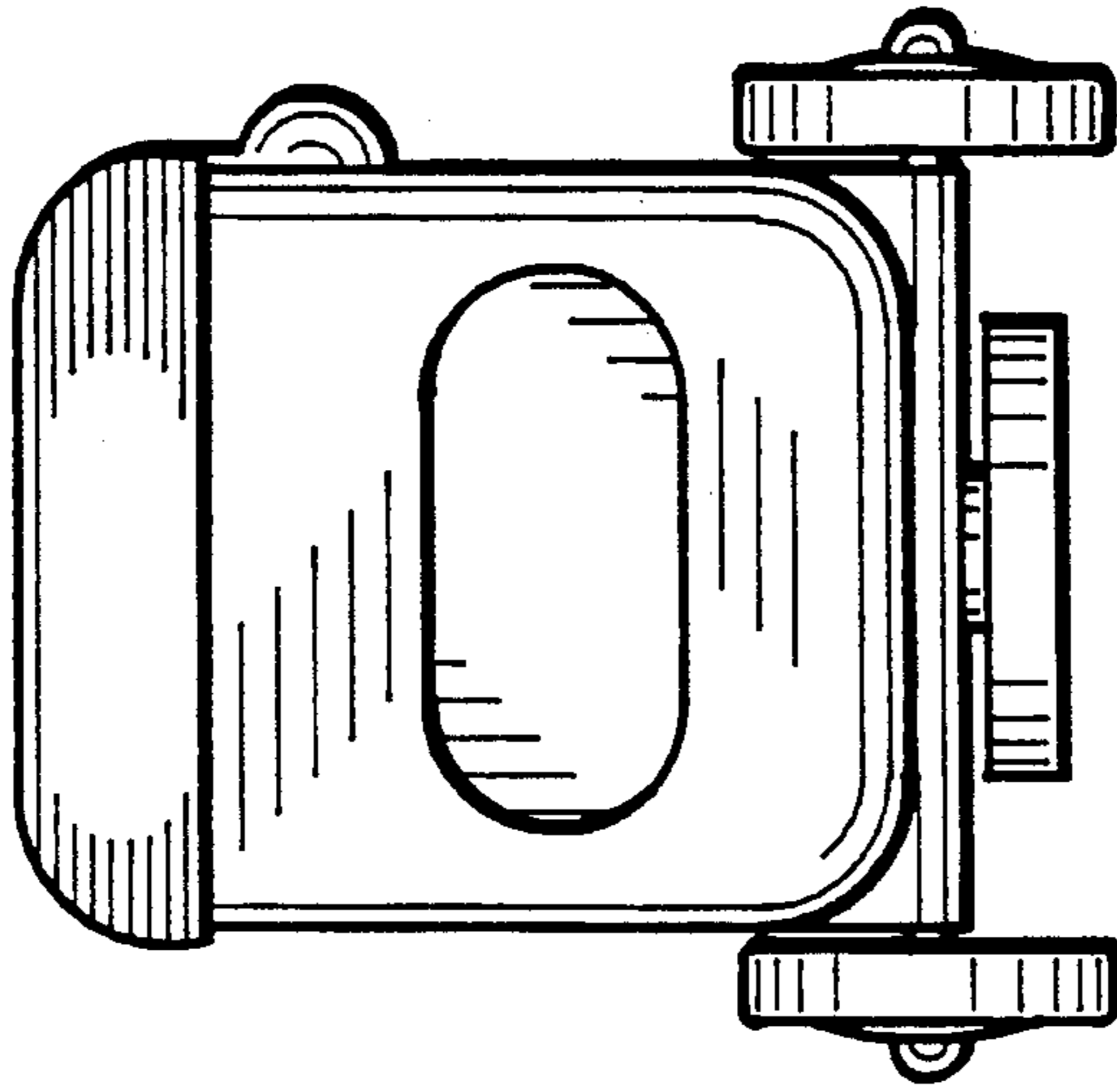


Fig. 2

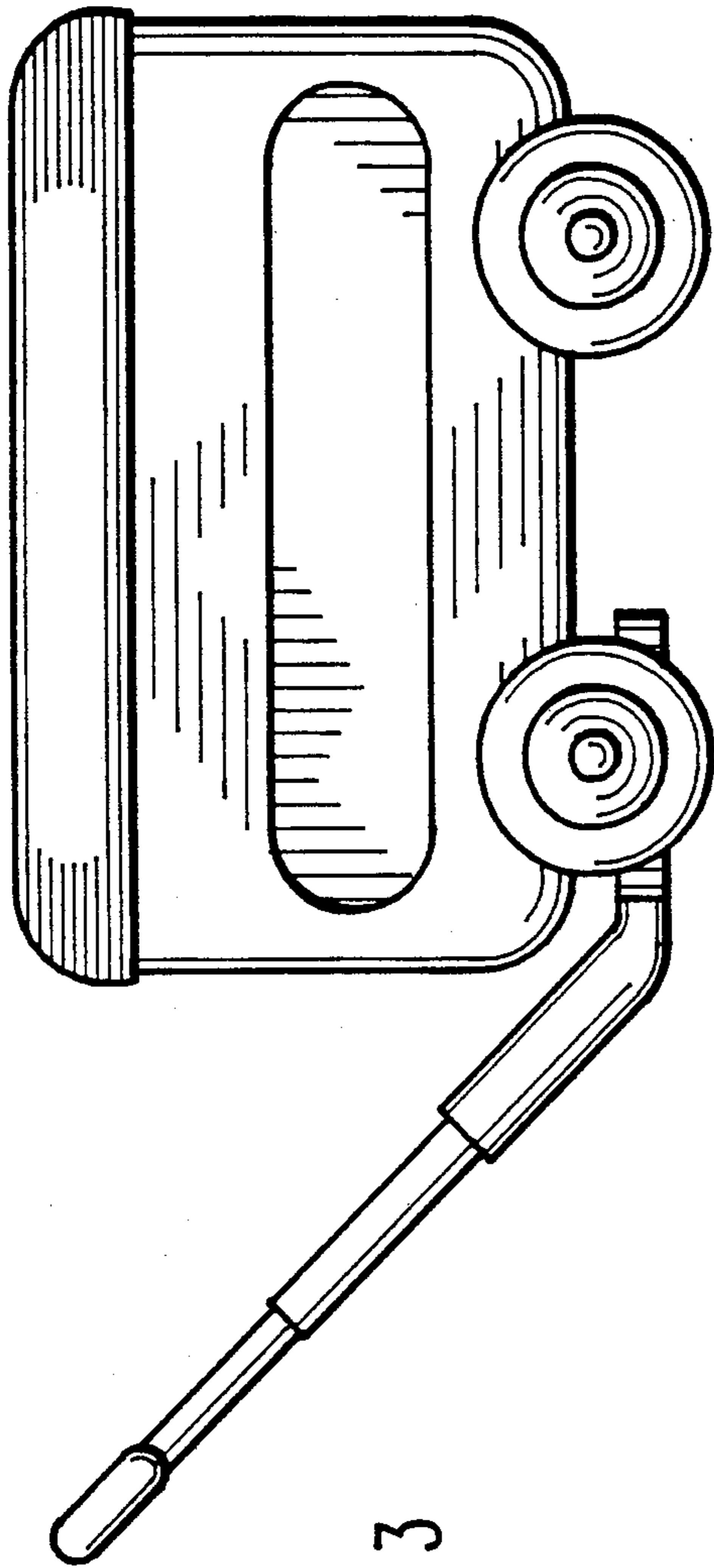


Fig. 3

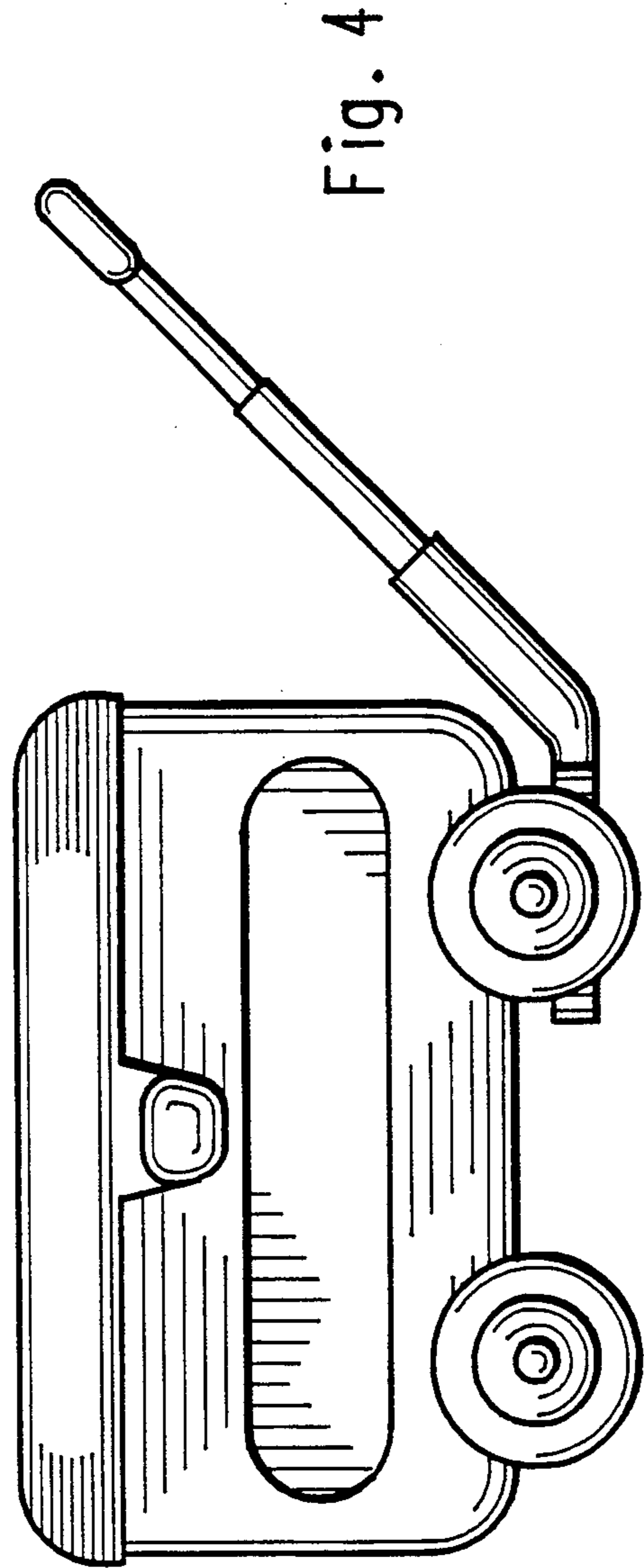


Fig. 4

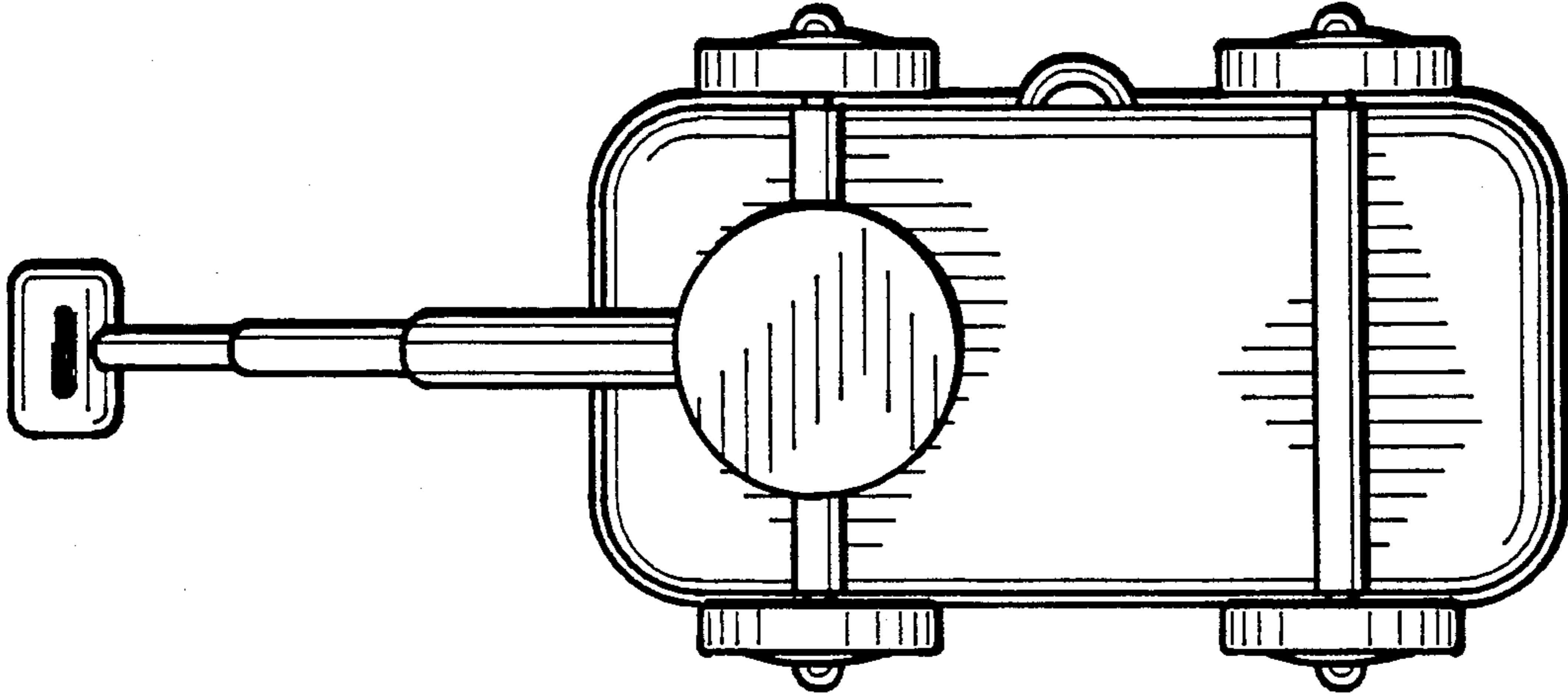


Fig. 6

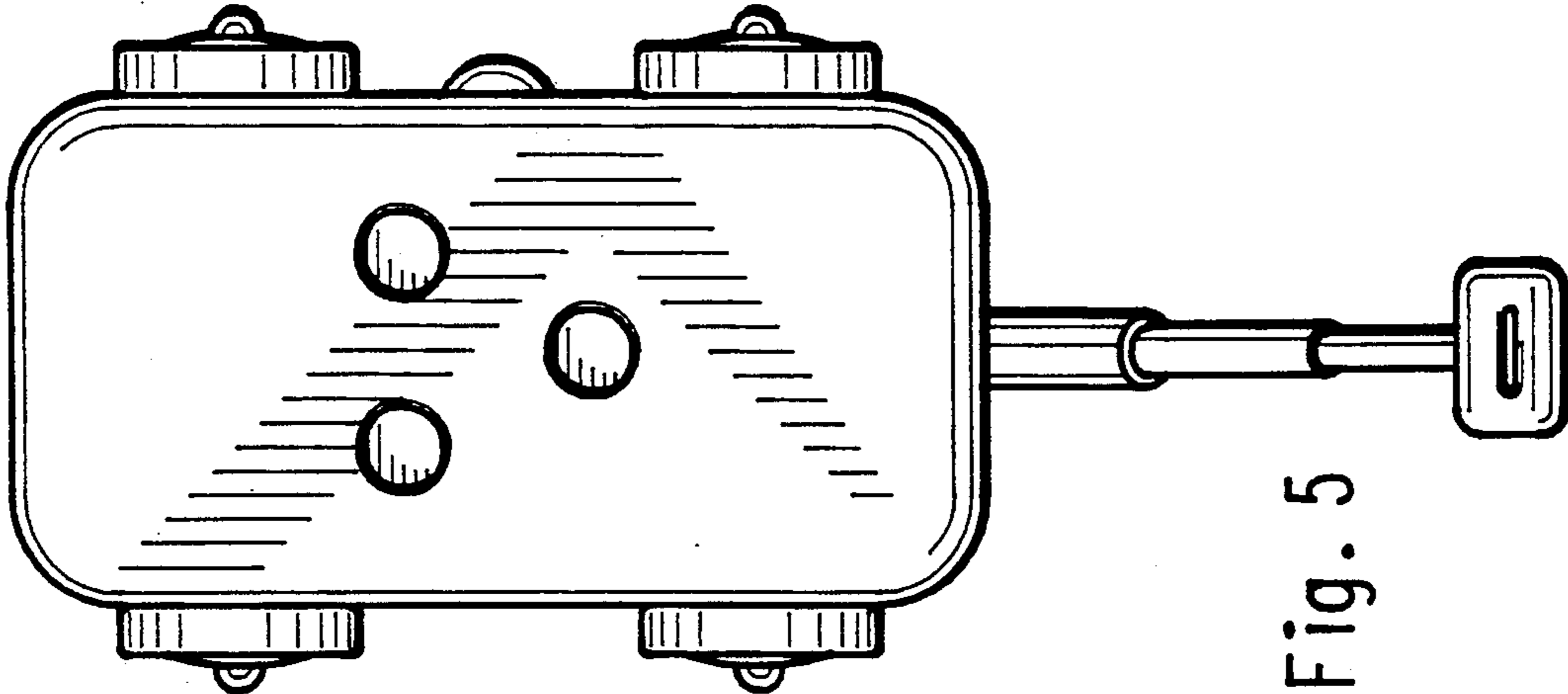


Fig. 5