



US00D322907S

United States Patent [19]

Raburn

[11] Patent Number: **Des. 322,907**

[45] Date of Patent: **** Jan. 7, 1992**

[54] **MATTRESS PAD MATERIAL OR THE LIKE**

[75] Inventor: **Richard W. Raburn, Mauldin, S.C.**

[73] Assignee: **Span-America Medical Systems, Inc., Greenville, S.C.**

[**] Term: **14 Years**

[21] Appl. No.: **536,486**

[22] Filed: **Jun. 12, 1990**

[52] U.S. Cl. **D6/596**

[58] Field of Search **D6/595-596, D6/601, 603-606, 610; 5/417, 420, 431, 434-435, 448, 481-482, 508; 428/141, 158**

4,686,725 8/1987 Mitchell 5/481
4,975,996 12/1990 Evans et al. 5/481

FOREIGN PATENT DOCUMENTS

2856758 7/1980 Fed. Rep. of Germany .
571845 1/1976 Switzerland 351/5
1559851 1/1980 United Kingdom .

Primary Examiner—Brian N. Vinson
Attorney, Agent, or Firm—Dority & Manning

[57] CLAIM

The ornamental design for mattress pad material or the like, as shown and described.

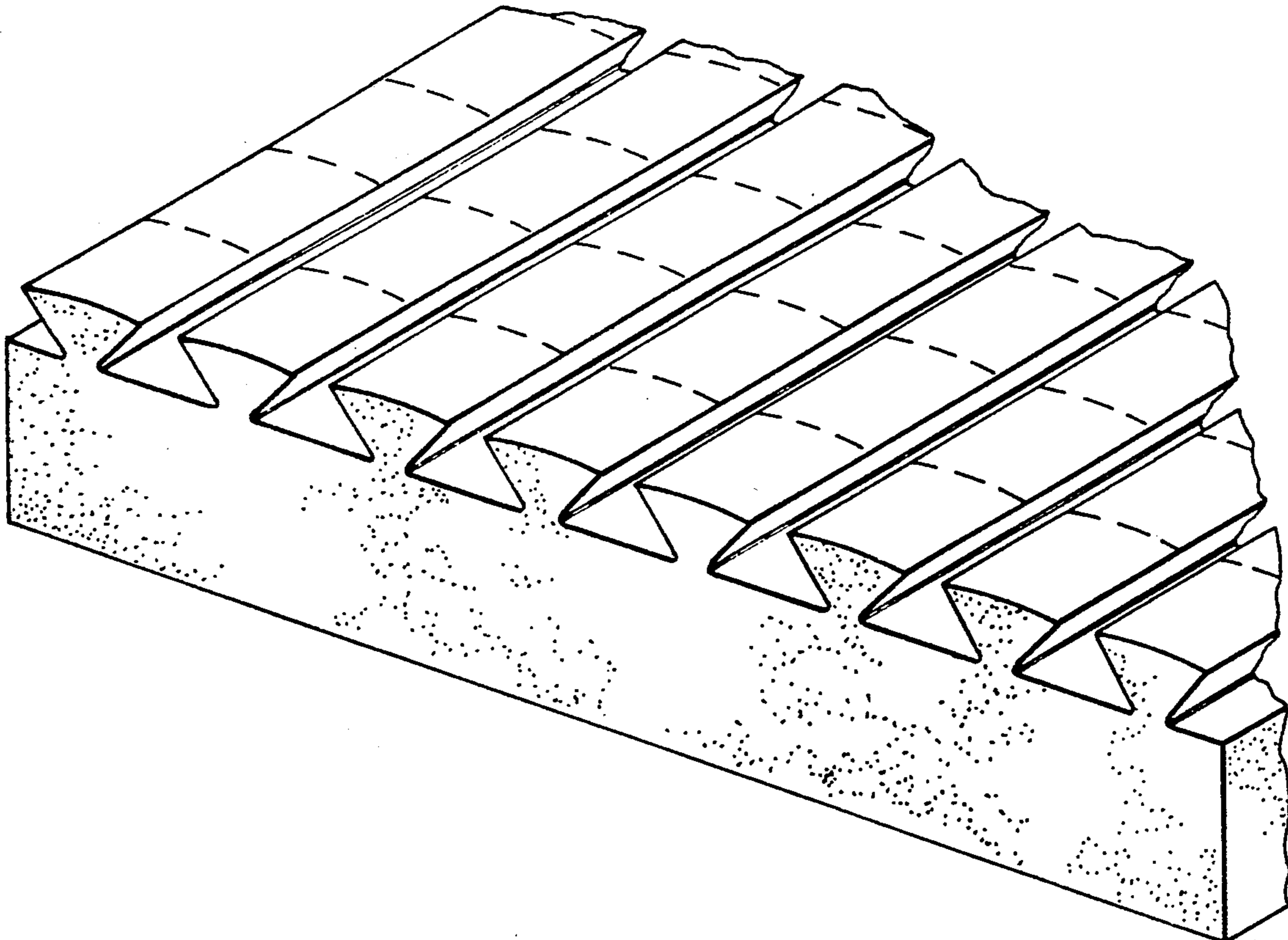
DESCRIPTION

FIG. 1 is a top and side perspective view of mattress pad material or the like showing my new design, the bottom being plain and unornamented, and the ribbing being understood to extend uniformly through its indeterminate length which is shown broken-away;
FIG. 2 is an enlarged fragmentary side elevational view thereof; and
FIG. 3 is an enlarged fragmentary side elevational view of an alternative embodiment, the only difference residing in the change in scale.

[56] References Cited

U.S. PATENT DOCUMENTS

D. 307,687	5/1990	Raburn	D6/606
D. 307,688	5/1990	Schaefer	D6/606
D. 307,689	5/1990	Schaefer	D6/606
D. 307,690	5/1990	Raburn	D6/606
3,047,282	7/1962	Hardy	267/1
3,885,257	5/1975	Rogers	5/345
4,007,124	4/1991	Raburn et al.	5/481
4,320,543	3/1982	Dixon	5/434



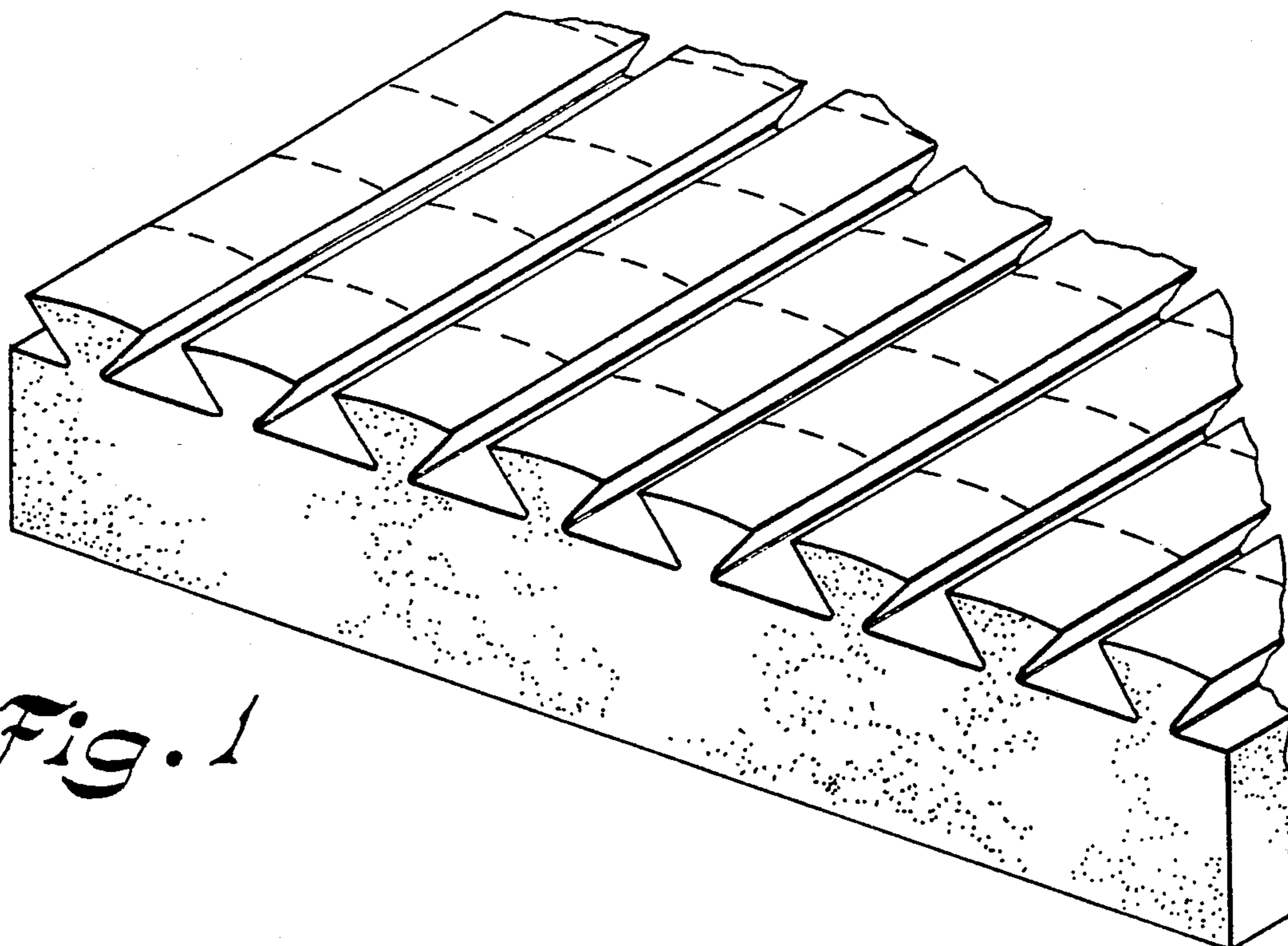


Fig. 1

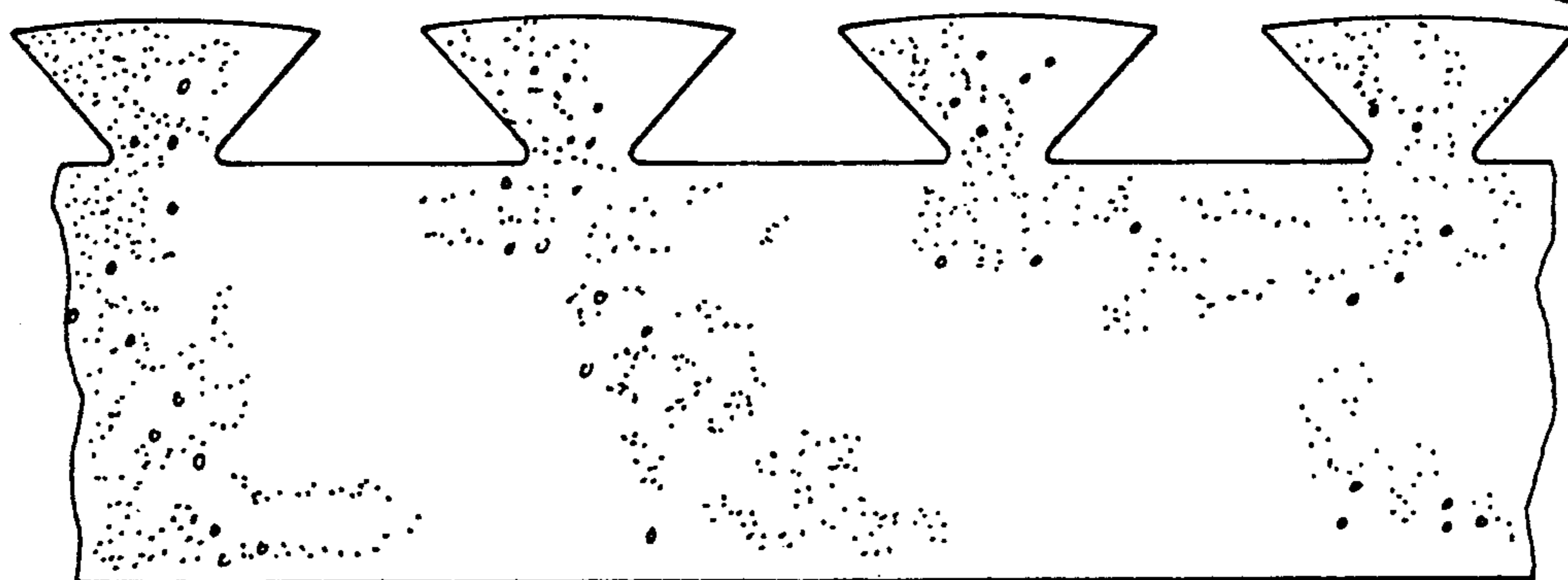


Fig. 2

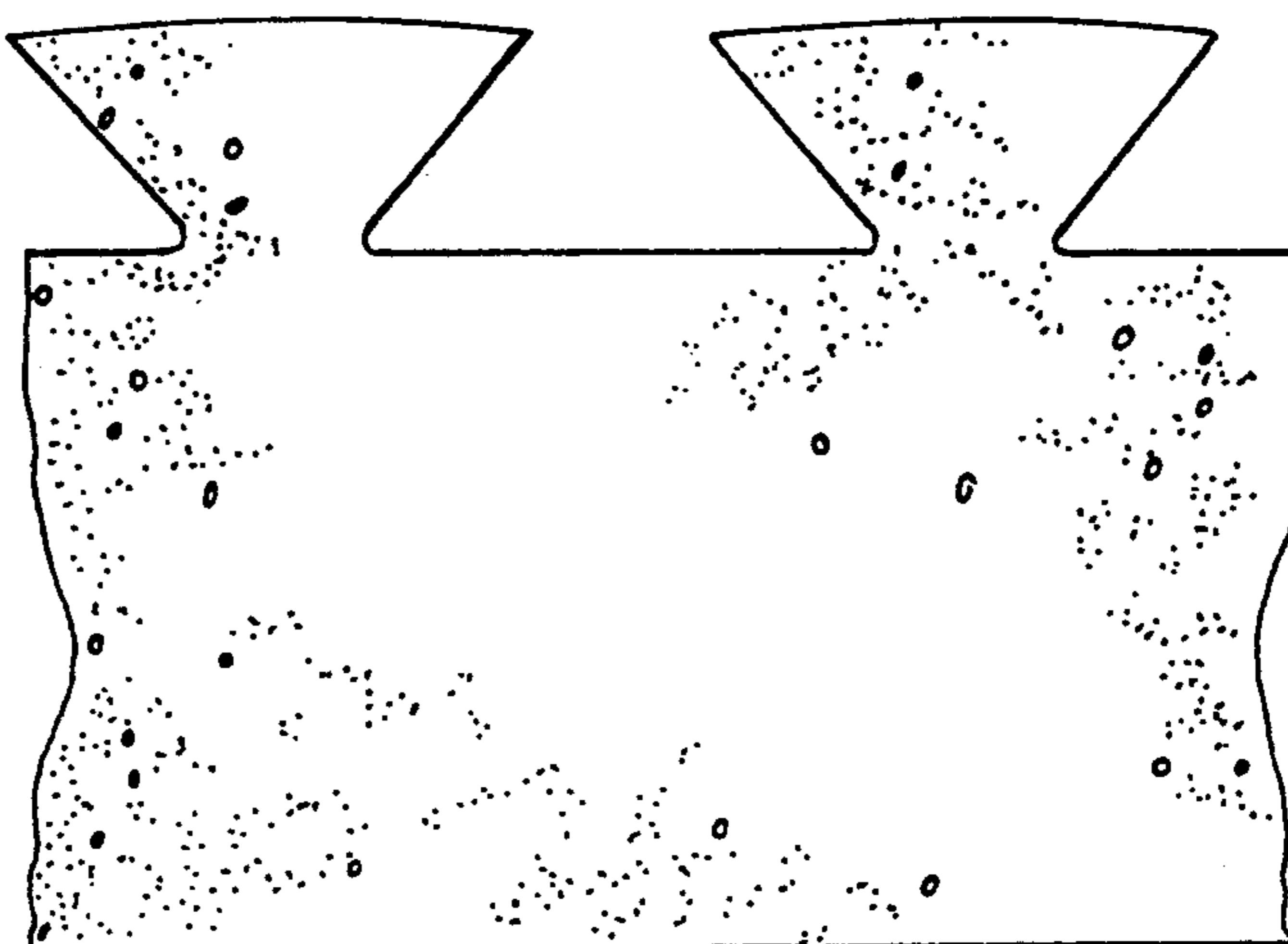


Fig. 3