



US00D322902S

United States Patent [19]
Khantzis

[11] **Patent Number: Des. 322,902**
[45] **Date of Patent: ** Jan. 7, 1992**

[54] **EYEGLOSS DISPLAY RACK**

[76] **Inventor: Carlos A. Khantzis, 4737 Galendo St., Woodland Hills, Calif. 91364**

[**] **Term: 14 Years**

[21] **Appl. No.: 255,531**

[22] **Filed: Oct. 11, 1988**

[52] **U.S. Cl. D6/468; D20/41**

[58] **Field of Search D20/10, 41, 43; D6/462, D6/460, 459, 455, 468, 317, 320, 327, 328; 211/126, 128, 13, 87, 88, 74, 133; 40/124.1, 124.2, 124; 248/302**

[56] **References Cited**

U.S. PATENT DOCUMENTS

D. 221,617 8/1971 D'Elia D20/43
D. 250,564 12/1978 Gordan D6/468
D. 253,141 10/1979 Gordan D6/468

D. 258,511 3/1981 Ashton D6/468
D. 281,209 11/1985 Burns D6/468
3,195,731 7/1965 Bomar, Jr. 248/302

Primary Examiner—Wallace R. Burke
Assistant Examiner—Marcus Jackson
Attorney, Agent, or Firm—Thomas I. Rozsa

[57] **CLAIM**

The ornamental design for eyeglass display rack, as shown and described.

DESCRIPTION

FIG. 1 is a perspective view of the eyeglass display rack, showing my new design.

FIG. 2 is a side elevational view, with the opposite side being a mirror image thereof.

FIG. 3 is a front elevational view thereof.

FIG. 4 is a rear elevational view thereof.

FIG. 5 is a top plan view thereof.

FIG. 6 is a bottom plan view thereof.

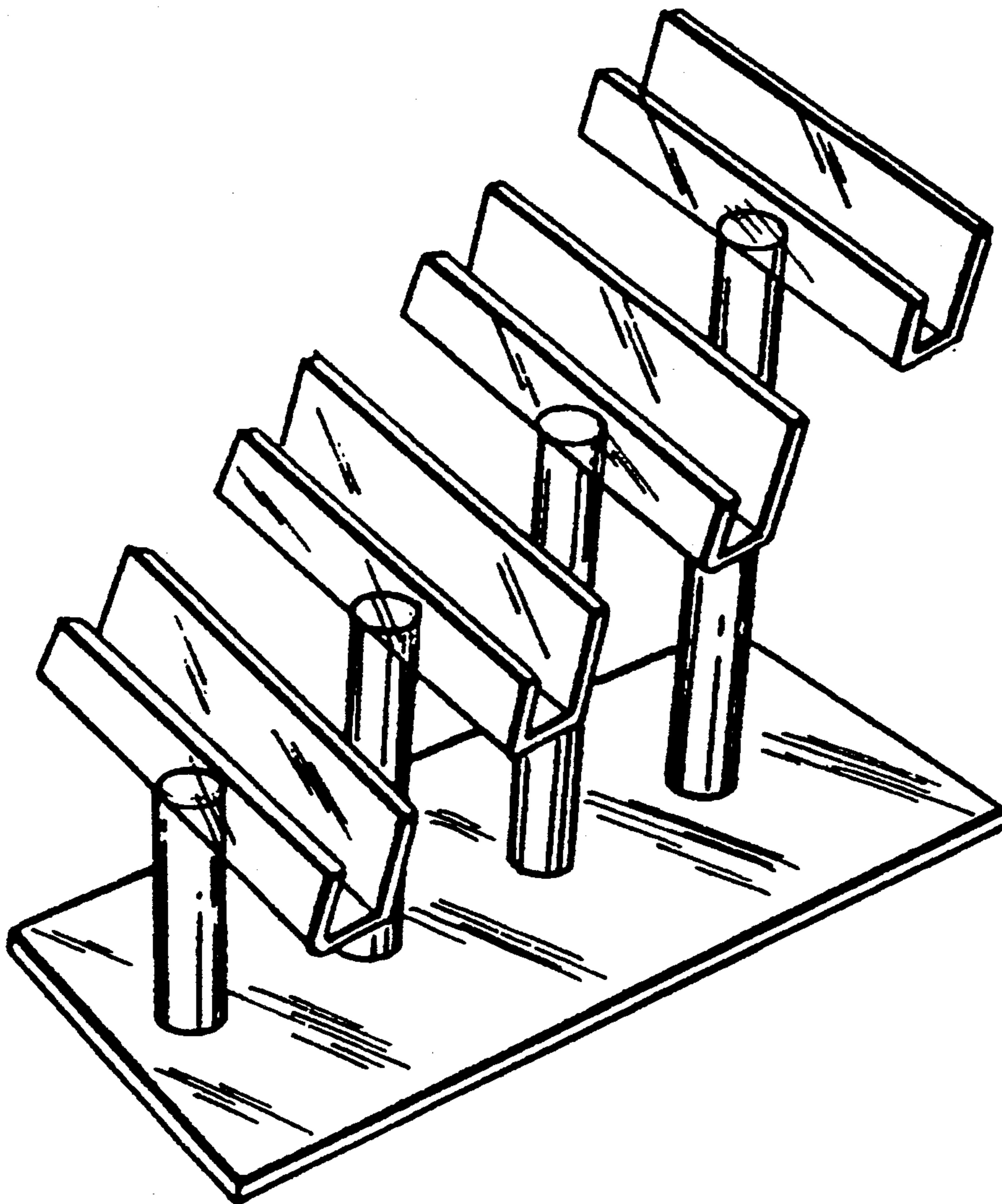


Fig. 1.

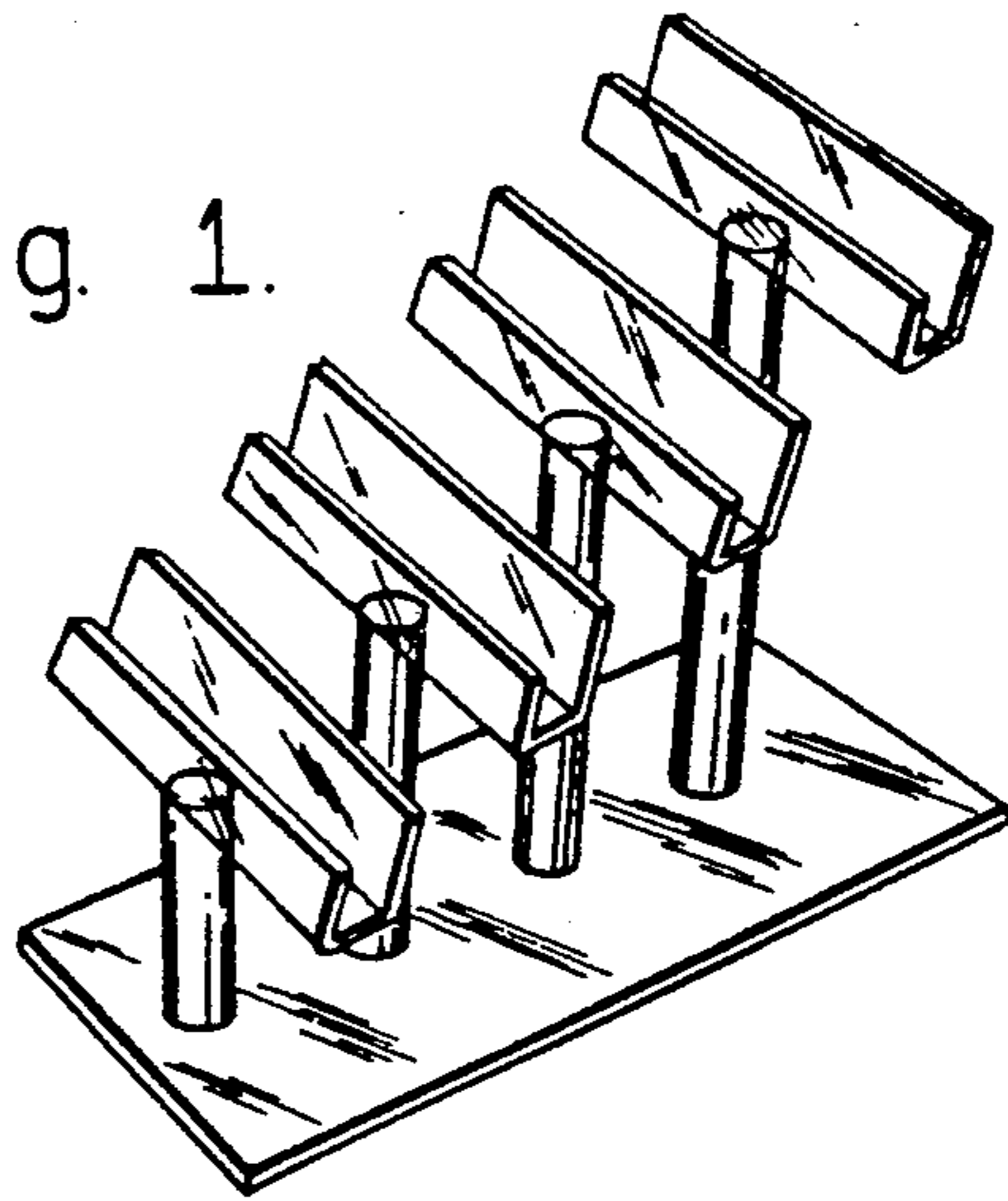


Fig. 2.

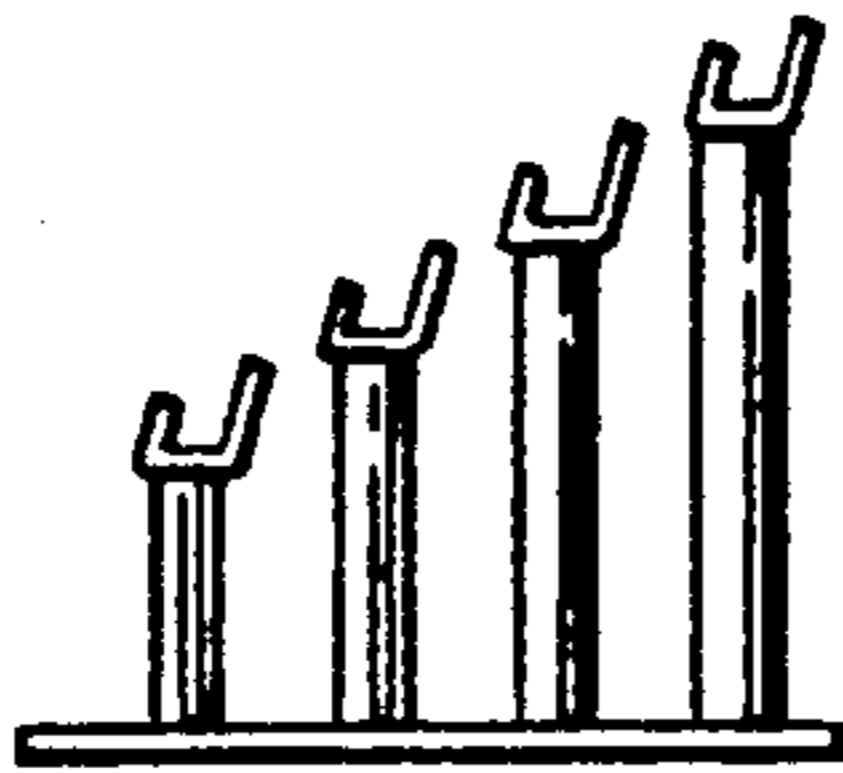


Fig. 3.

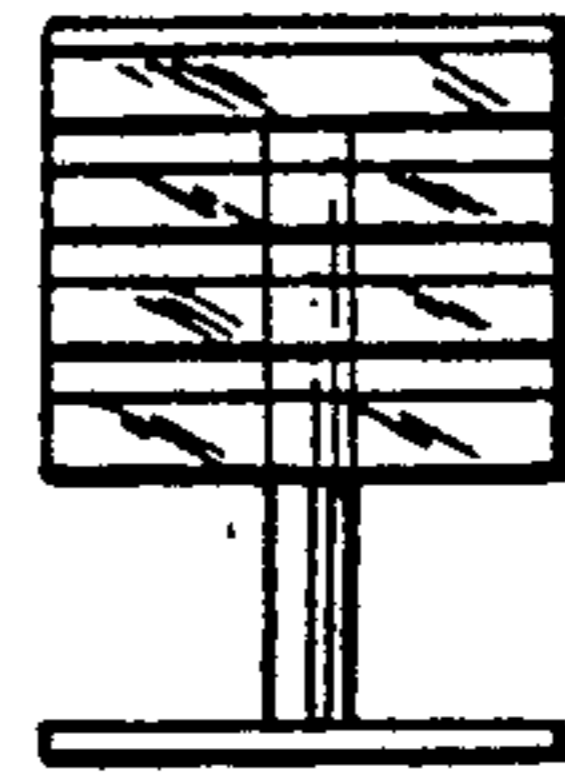


Fig. 4.

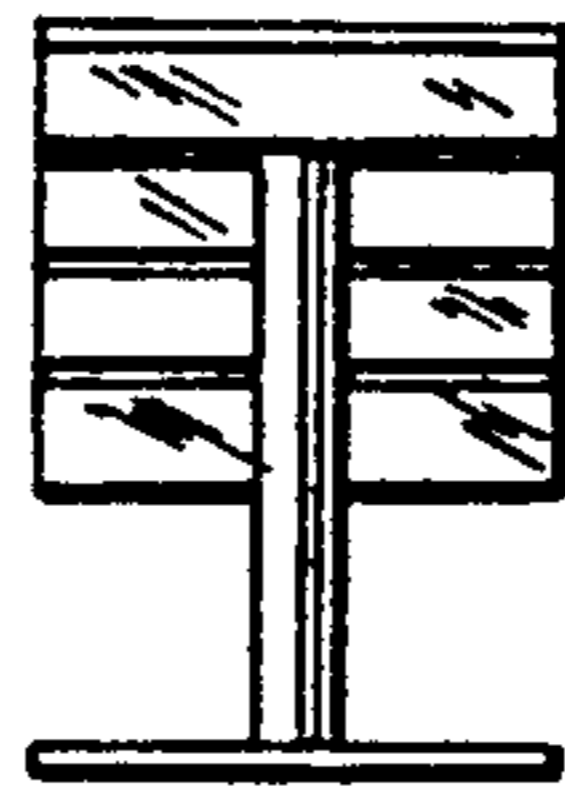


Fig. 5.



Fig. 6.

