



US00D322896S

United States Patent [19]

Sawtelle

[11] Patent Number: **Des. 322,896**

[45] Date of Patent: **** Jan. 7, 1992**

- [54] **BENCH**
- [75] Inventor: **Fred G. Sawtelle, Houston, Tex.**
- [73] Assignee: **Cassco Products, Inc., Houston, Tex.**
- [**] Term: **14 Years**
- [21] Appl. No.: **378,301**
- [22] Filed: **Jul. 11, 1989**
- [52] U.S. Cl. **D6/360; D6/330;**
D6/349; D6/355; D6/371; D6/374; D6/381
- [58] Field of Search **D6/349, 409, 410, 502,**
D6/548

3,471,200 10/1969 Morrison 297/441

OTHER PUBLICATIONS

How to Make PVC Pipe Furniture, by Ed & Stevie Baldwin, ©1985, p. 71.

Primary Examiner—Bruce W. Dunkins
Assistant Examiner—Gary D. Watson
Attorney, Agent, or Firm—Harrison & Egbert

[57] CLAIM

The ornamental design for a bench, as shown and described.

DESCRIPTION

FIG. 1 is a perspective view, as taken from the upper left hand corner, of the bench of the present invention. FIG. 2 is a side elevational view of the bench of the present invention.

FIG. 3 is a front elevational view of the bench of the present invention.

FIG. 4 is a top plan view of the bench of the present invention.

[56] References Cited

U.S. PATENT DOCUMENTS

D. 99,382	4/1936	Wesley .	
D. 101,568	10/1936	Varrick	D6/502
D. 148,289	1/1948	Discher	D15/11
D. 248,522	7/1978	Corda	D6/72
D. 276,388	11/1984	Miller et al.	D6/548
D. 285,151	8/1986	Molinari	D6/381
D. 293,637	1/1988	Tallon	D6/500

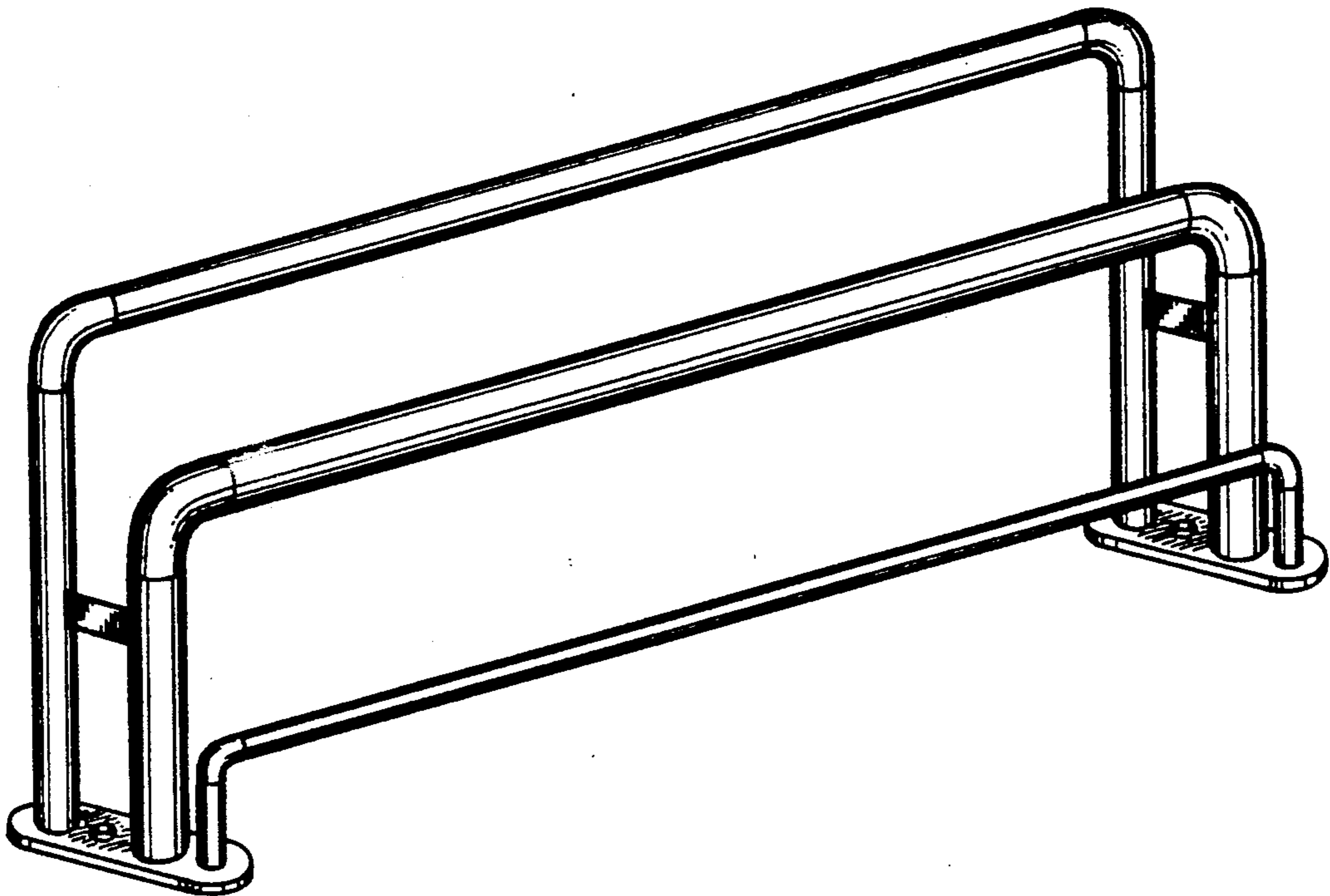


FIG. 1

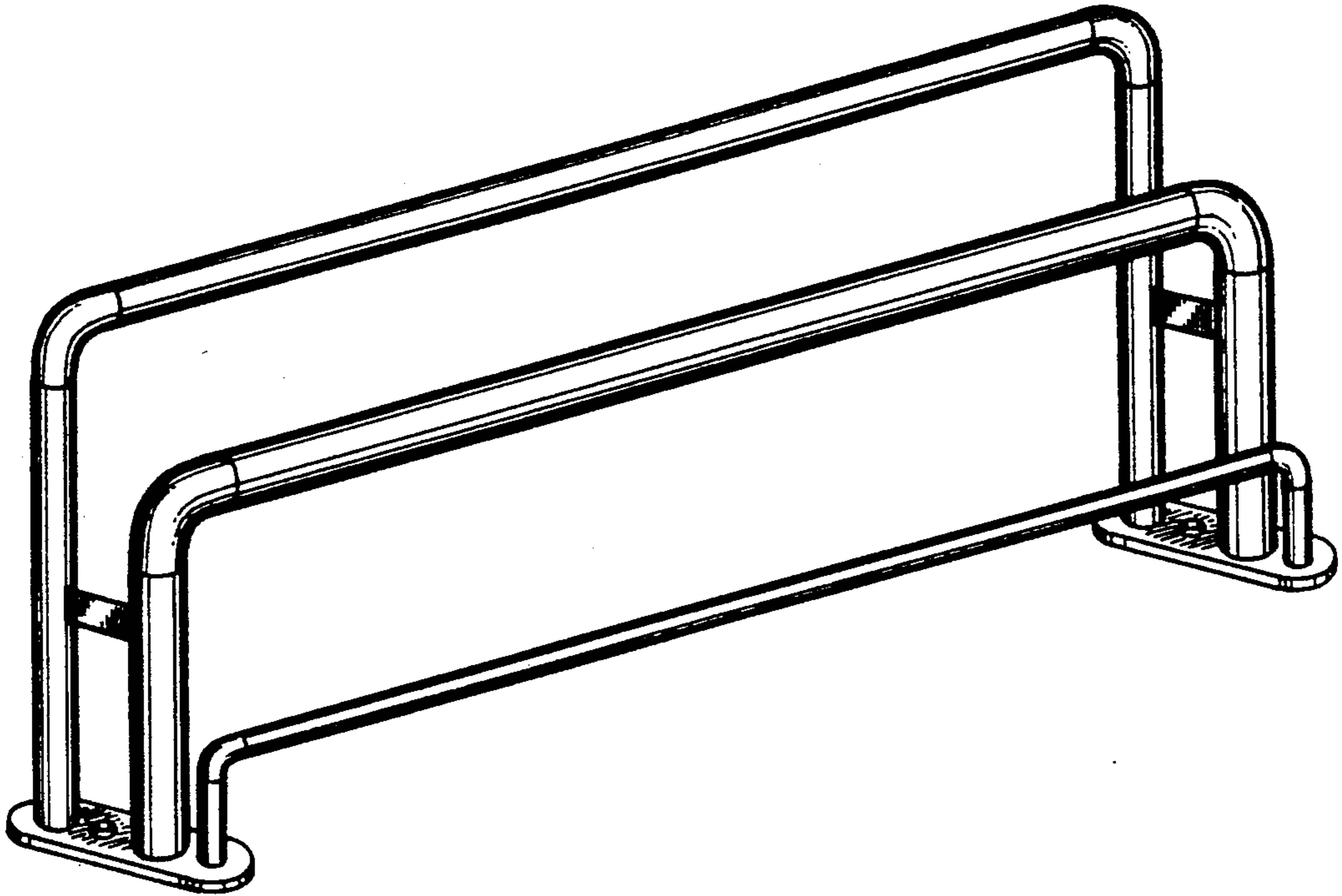


FIG. 2

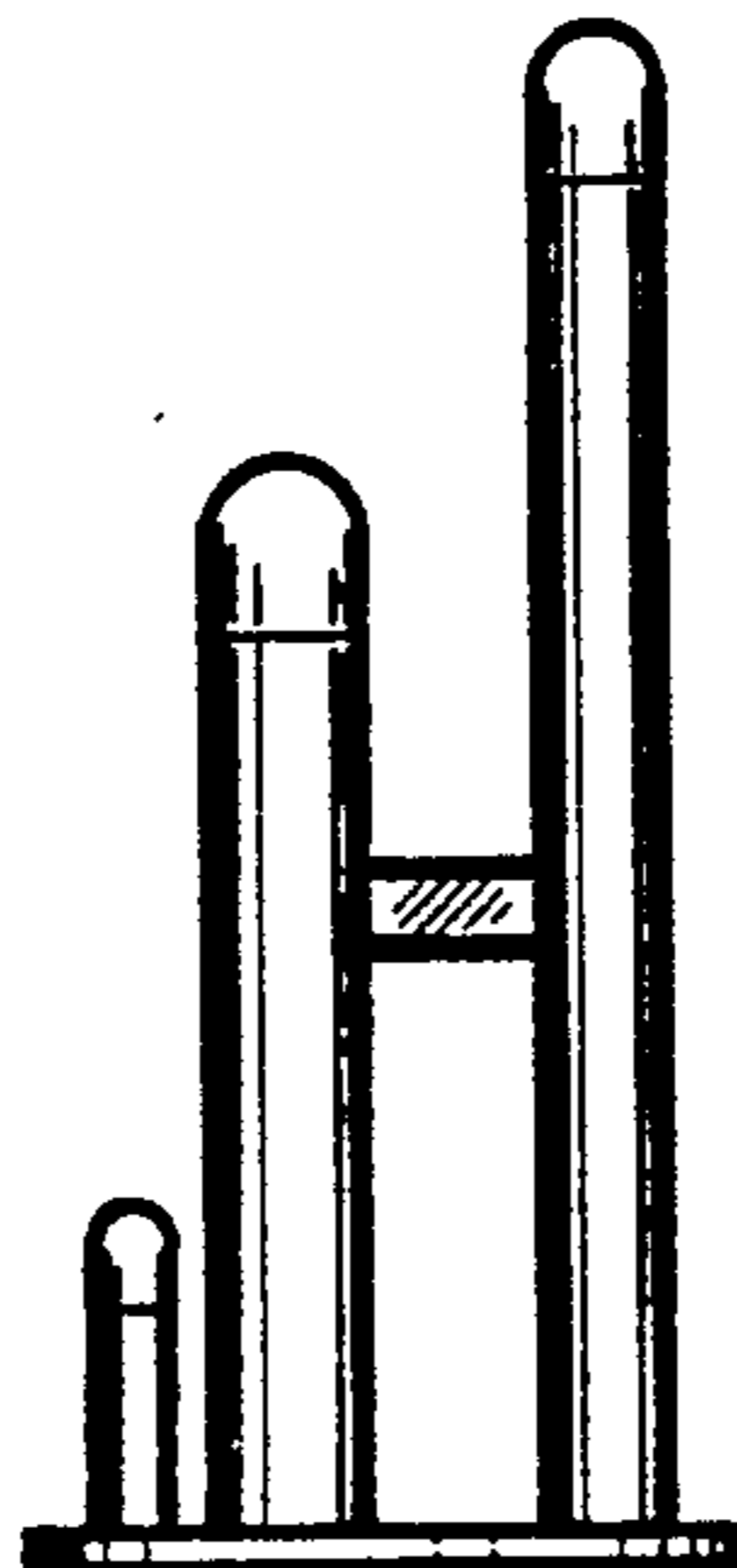


FIG. 3

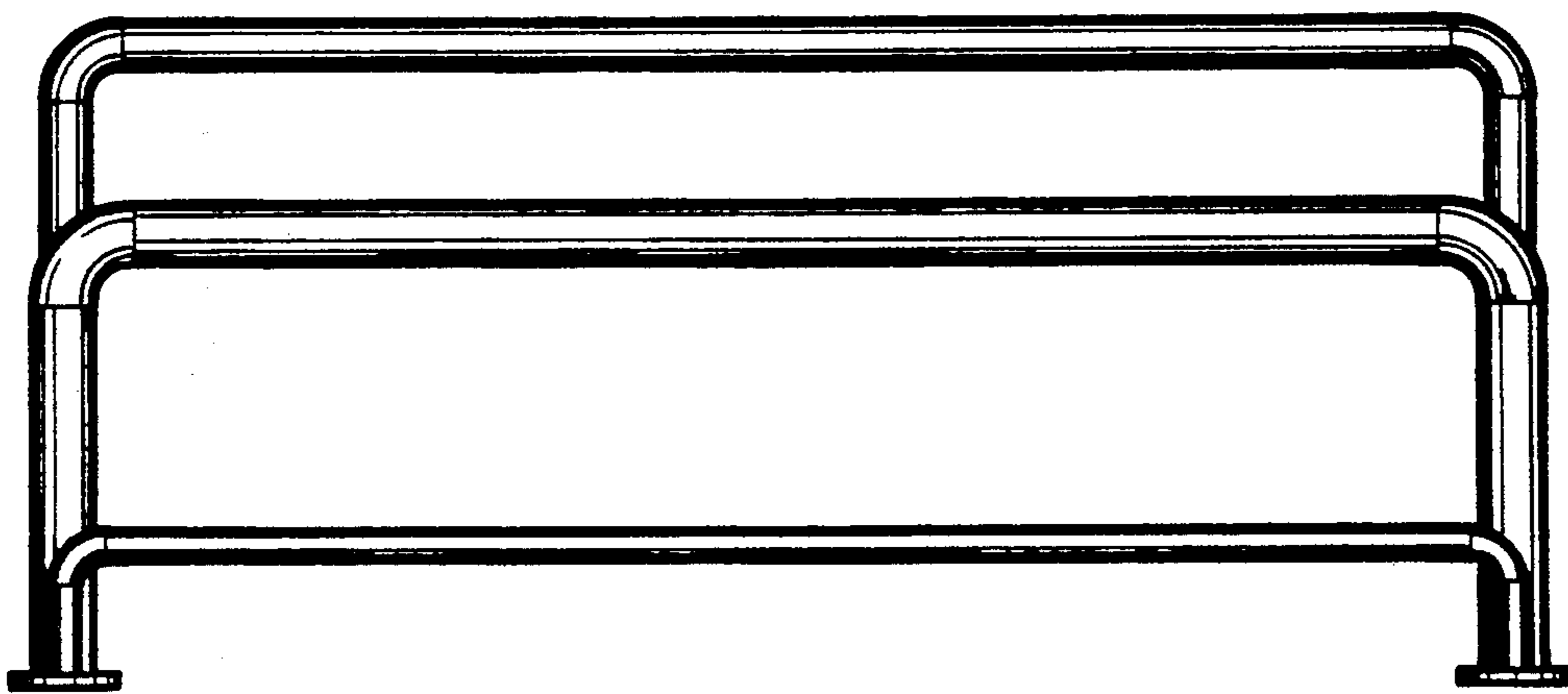


FIG. 4

