

[54] **NEWSPAPER BOX WITH POST**

4,395,012 7/1983 Rance 248/128

[76] **Inventor: Dan V. Roach, Star Rte. E, Box 247, Monterey, Va. 24465**

[**] **Term: 14 Years**

[21] **Appl. No.: 309,723**

[22] **Filed: Feb. 13, 1989**

[52] **U.S. Cl. D99/32**

[58] **Field of Search D99/32, 33, 29, 30, D99/31; 232/17, 19, 20, 21, 27; 248/127, 128**

[56] **References Cited**

U.S. PATENT DOCUMENTS

| | | | |
|------------|---------|-----------------|----------|
| D. 122,119 | 8/1940 | Isle | D99/32 |
| D. 262,409 | 12/1981 | Antonacci | D99/32 |
| D. 264,013 | 4/1982 | Sandifer | D99/32 |
| 1,467,607 | 9/1923 | Cook | 248/128 |
| 1,545,006 | 7/1925 | Miller | 248/128 |
| 1,612,475 | 12/1926 | Summers | 248/128 |
| 3,497,078 | 2/1970 | Nash | D99/32 X |

OTHER PUBLICATIONS

The American Home Mag., dated 7-1954, p. 93, "Mail-box Stands".

Barrons Gaithersburg Lumber cat. dated 4-1989, p. A12.

Primary Examiner—Nelson C. Holtje

Assistant Examiner—J. H. Musgrove

[57] **CLAIM**

The ornamental design for a newspaper box with post, as shown and described.

DESCRIPTION

FIG. 1 is a front, top, and right side perspective view of a newspaper box with post showing my new design; FIG. 2 is a front elevational view; FIG. 3 is a right side elevational view; FIG. 4 is a rear side elevational view; FIG. 5 is a bottom plan view; and FIG. 6 is a top plan view thereof.

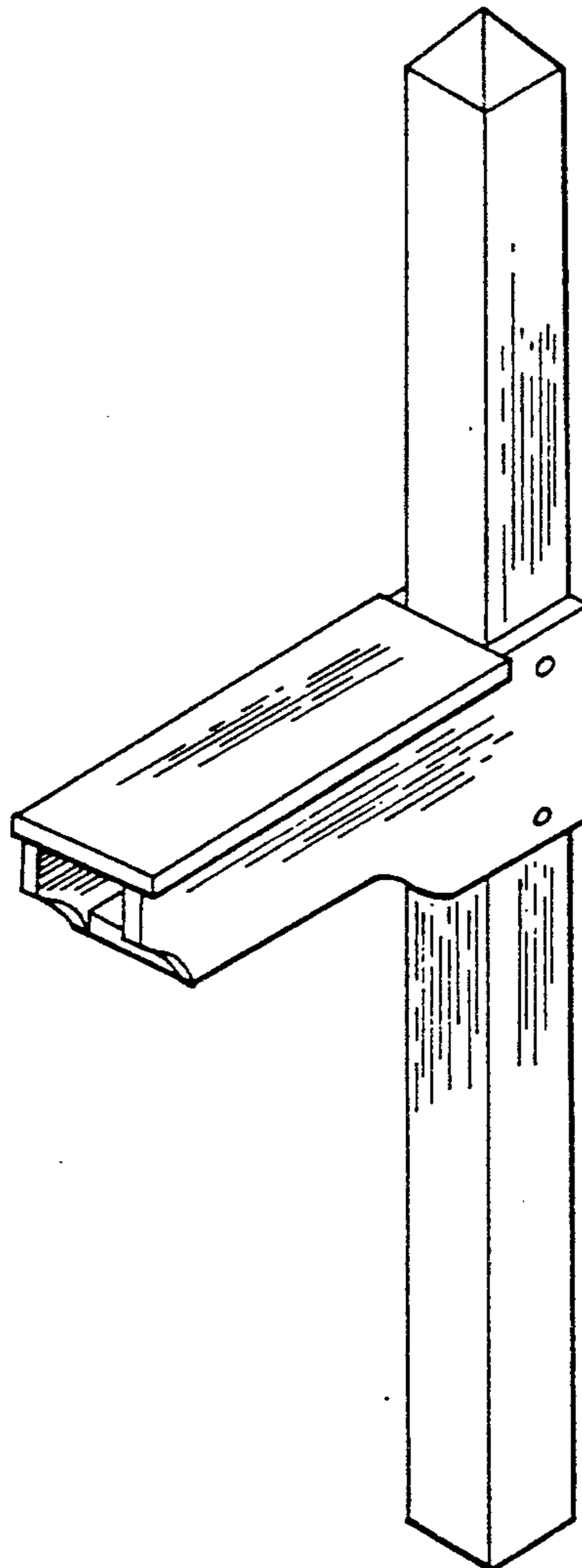


Fig. 1

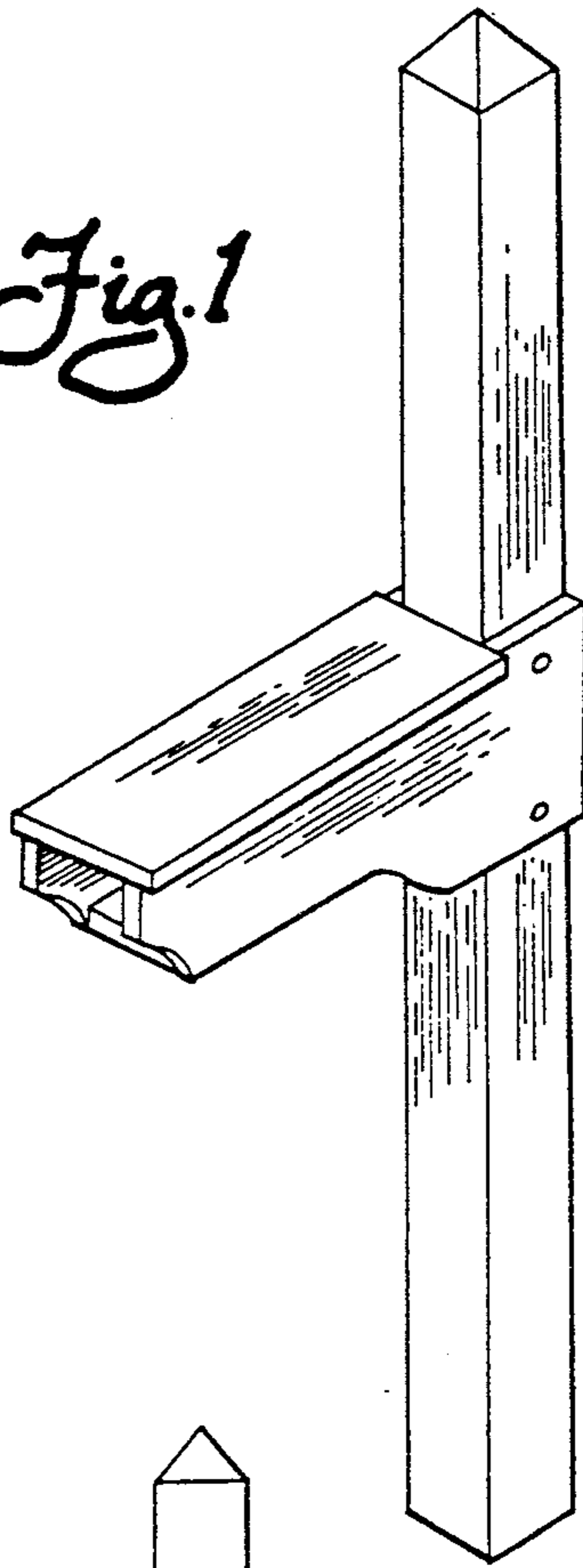


Fig. 2

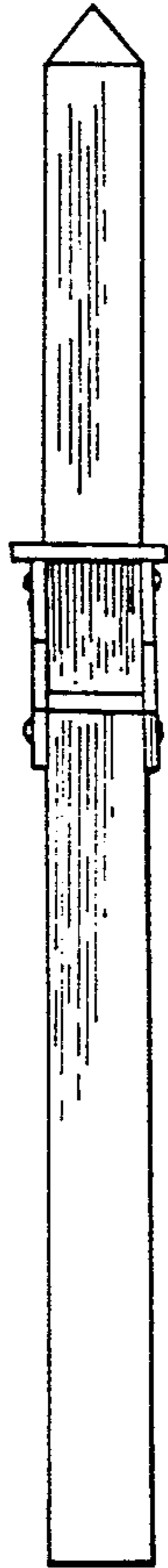


Fig. 3

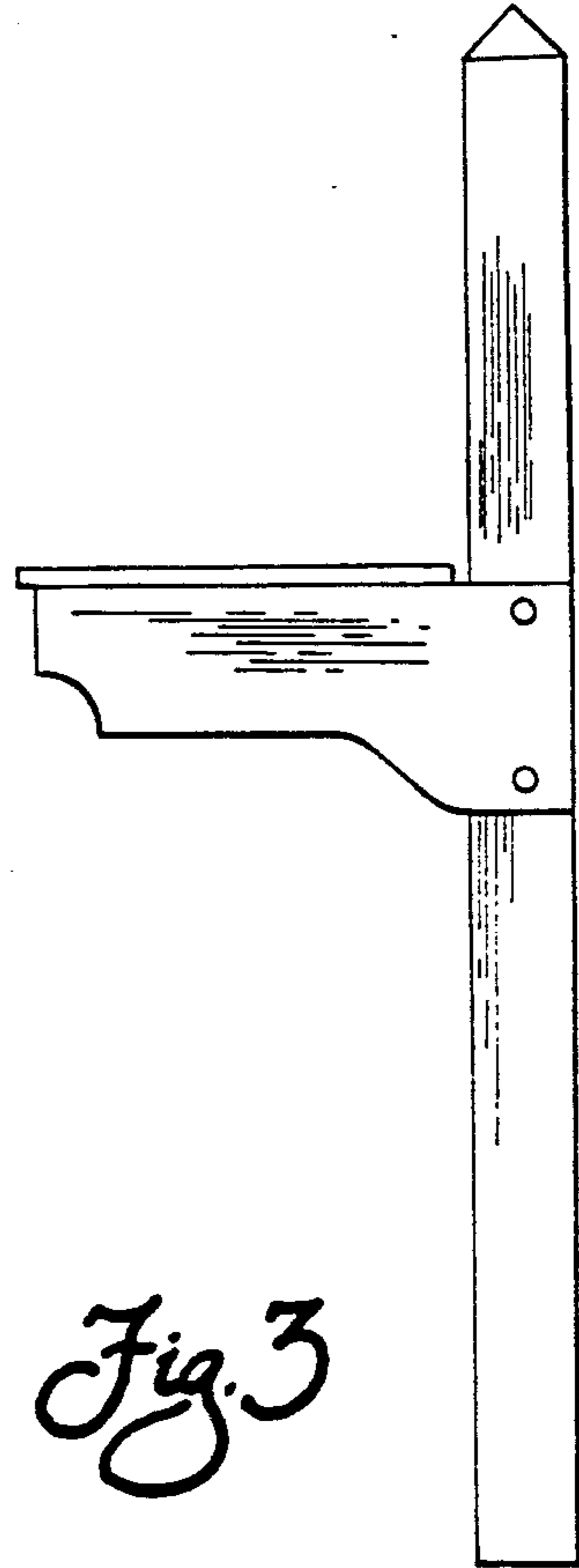


Fig. 4

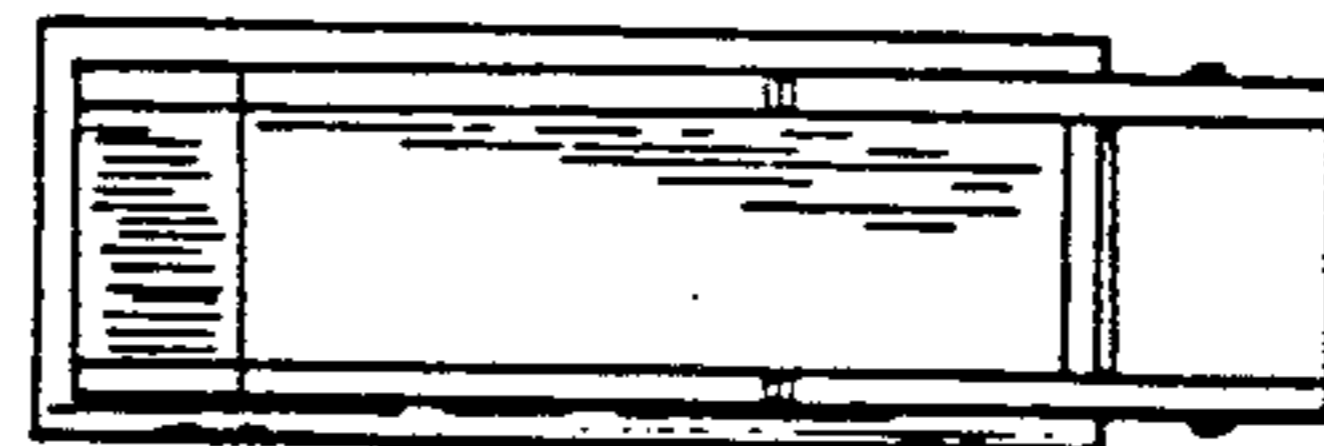
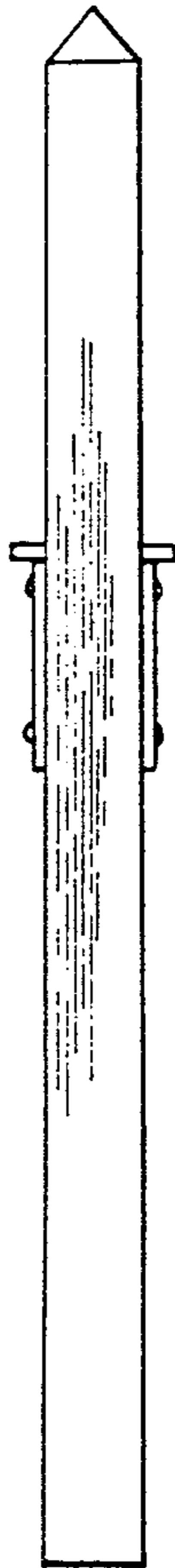


Fig. 5

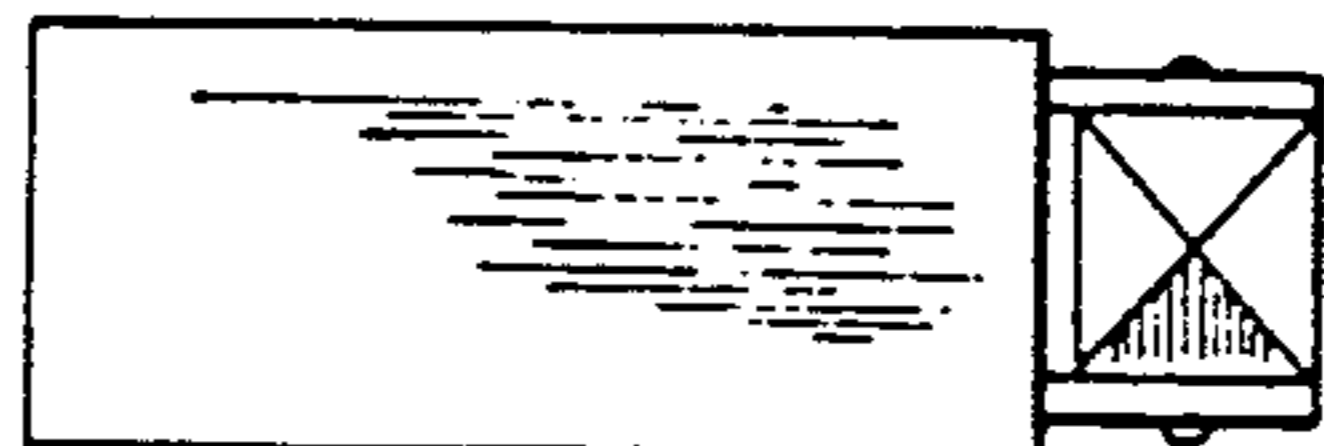


Fig. 6