

[54] CART WITH KNEE REST OR SIMILAR ARTICLE

[76] Inventor: Donald V. Smith, 2615 Fallsrock Dr., Clearwater, Fla. 34621

[**] Term: 14 Years

[21] Appl. No.: 412,268

[22] Filed: Sep. 25, 1989

[52] U.S. Cl. D34/18; D34/17; D12/130

[58] Field of Search D34/23, 17, 18, 24, D34/26, 20; 280/62, 282, 87.01, 79.2, 79.11; D6/336, 350

[56] References Cited

U.S. PATENT DOCUMENTS

3,507,511	4/1970	Seidel	280/87.1
3,724,873	4/1973	Glamb	D34/26
4,746,135	5/1988	Oh	280/282
4,974,863	12/1990	Patin	280/62

FOREIGN PATENT DOCUMENTS

958007 5/1964 United Kingdom 280/282

Primary Examiner—Kay H. Chin

Attorney, Agent, or Firm—Stanley M. Miller

[57] CLAIM

The ornamental design for a cart with knee rest or similar article, as shown and described.

DESCRIPTION

FIG. 1 is a top, front and left side perspective view of a cart with knee rest or similar article showing my new design;

FIG. 2 is a front elevational view thereof;

FIG. 3 is a rear elevational view thereof;

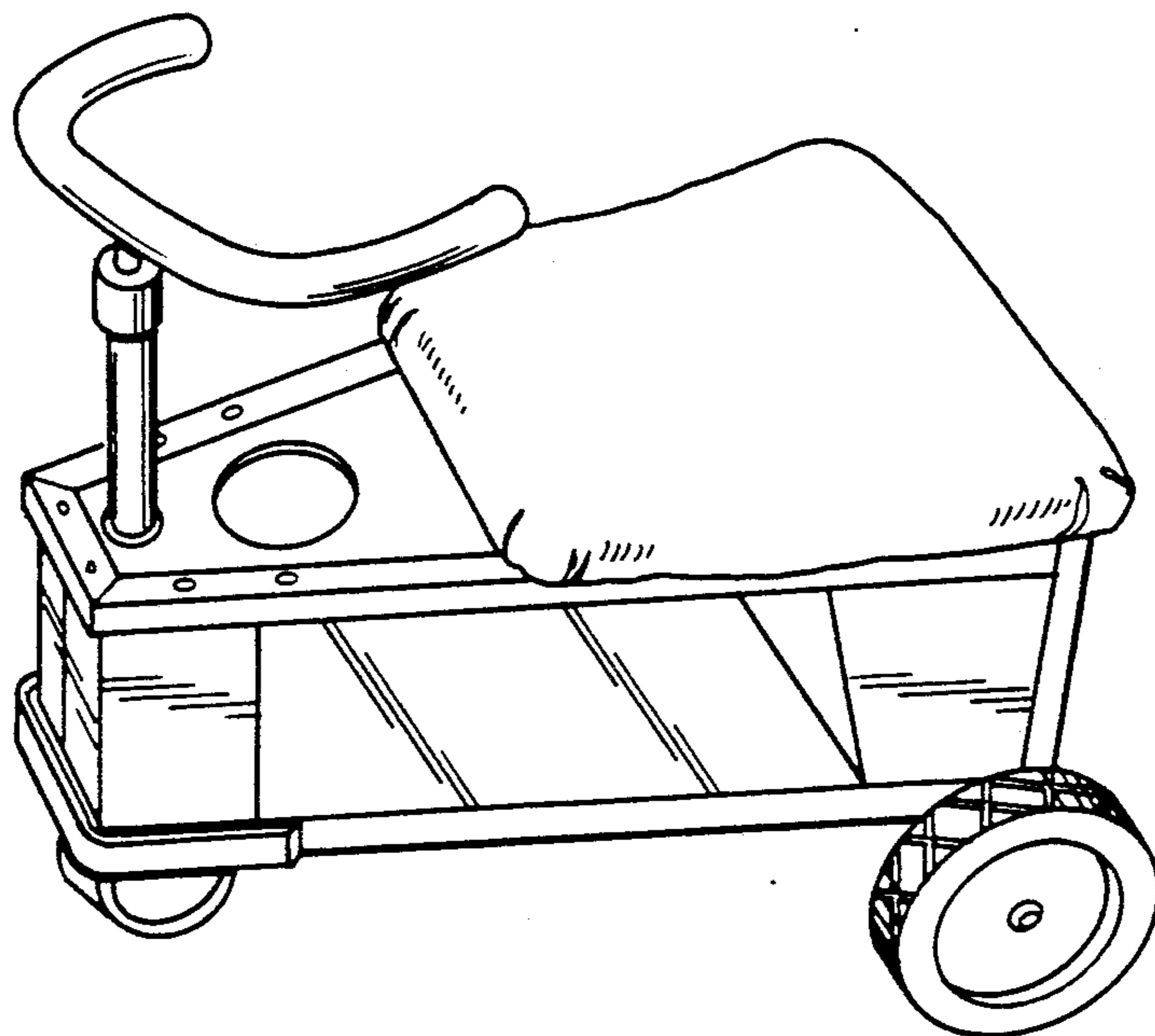
FIG. 4 is a top plan view thereof;

FIG. 5 is a bottom plan view thereof;

FIG. 6 is a right side elevational view thereof;

FIG. 7 is a left side elevational view thereof; and

FIG. 8 is a top and right side perspective view thereof with the knee rest portion raised.



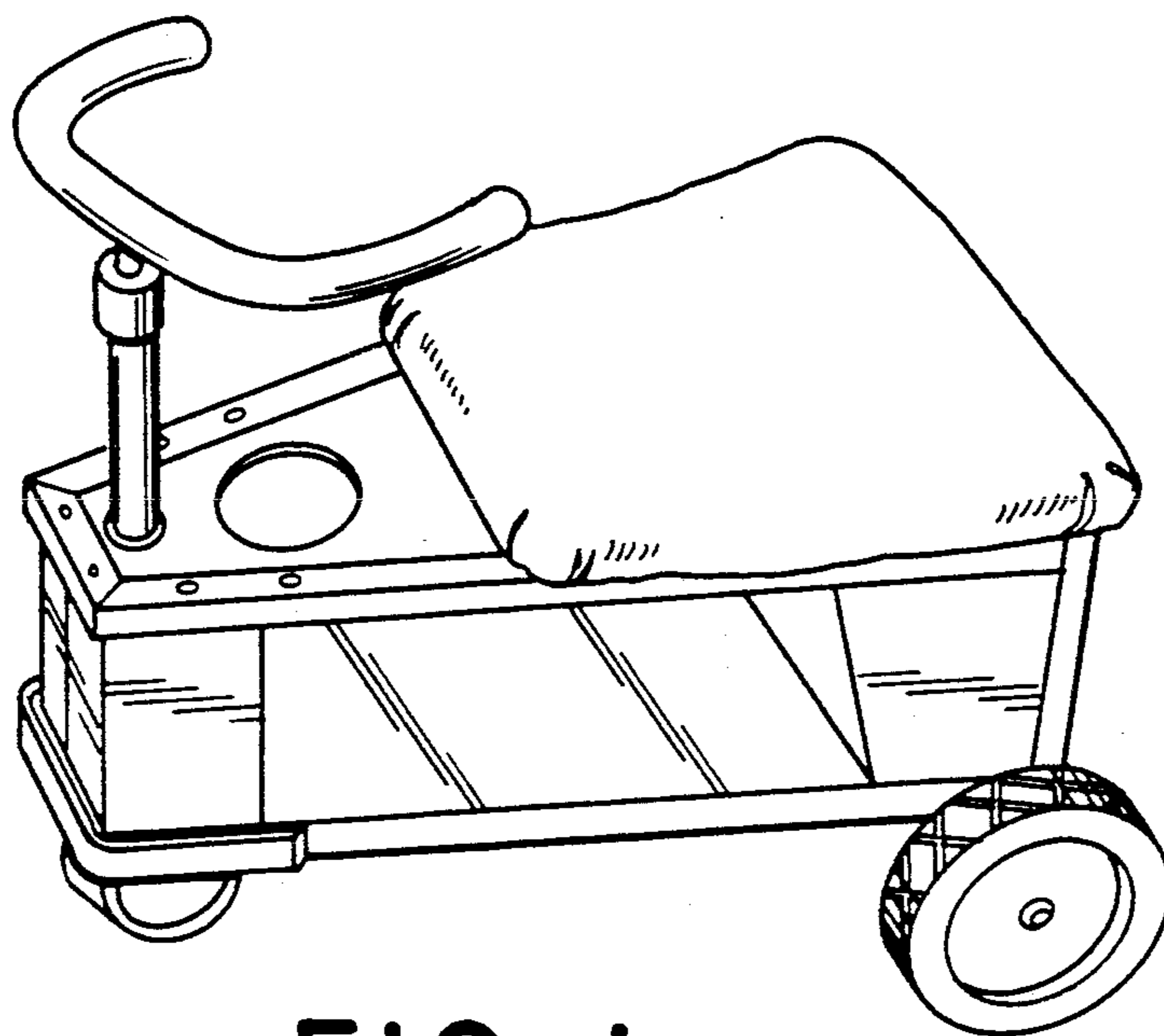


FIG. 1

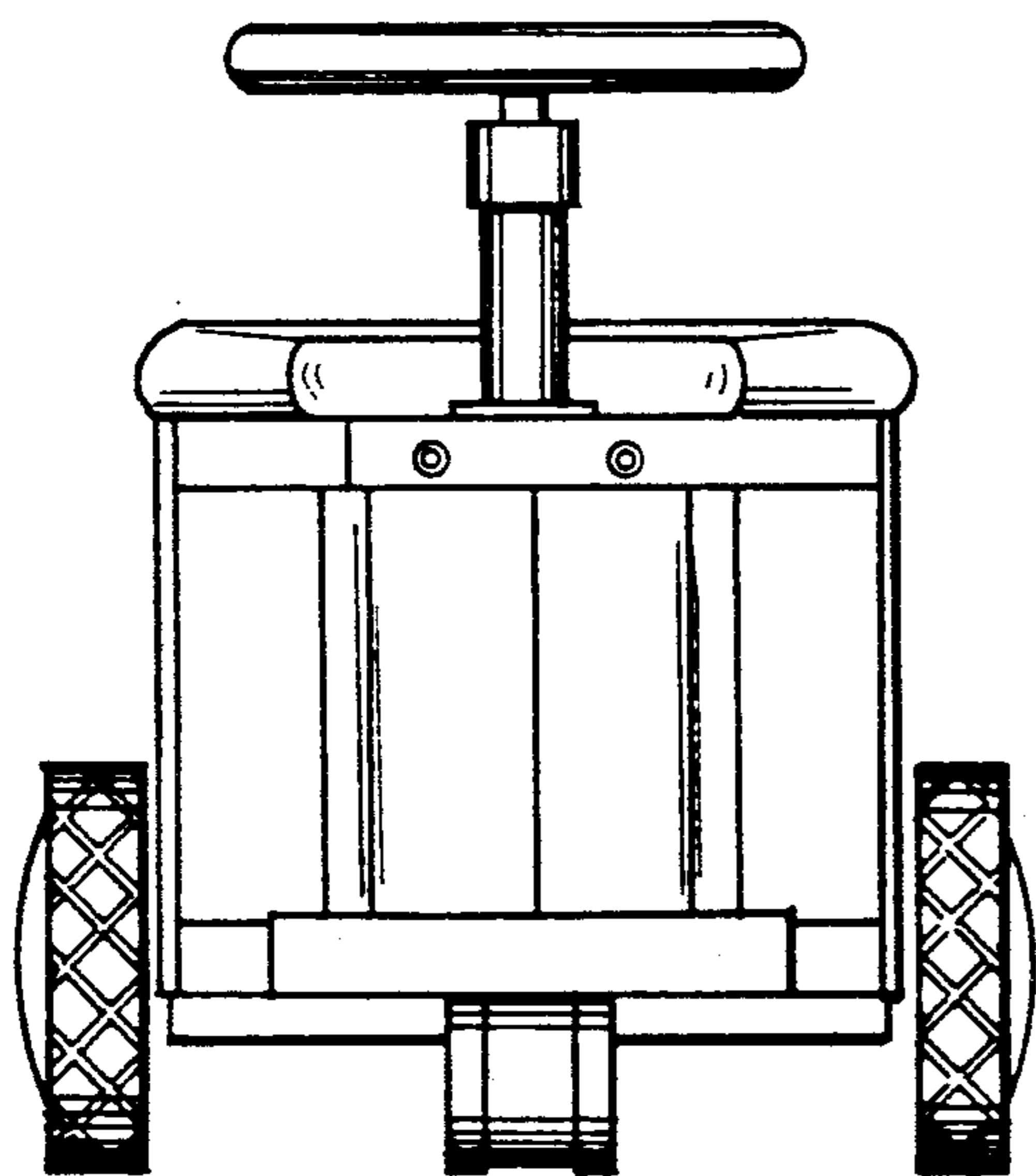


FIG. 2

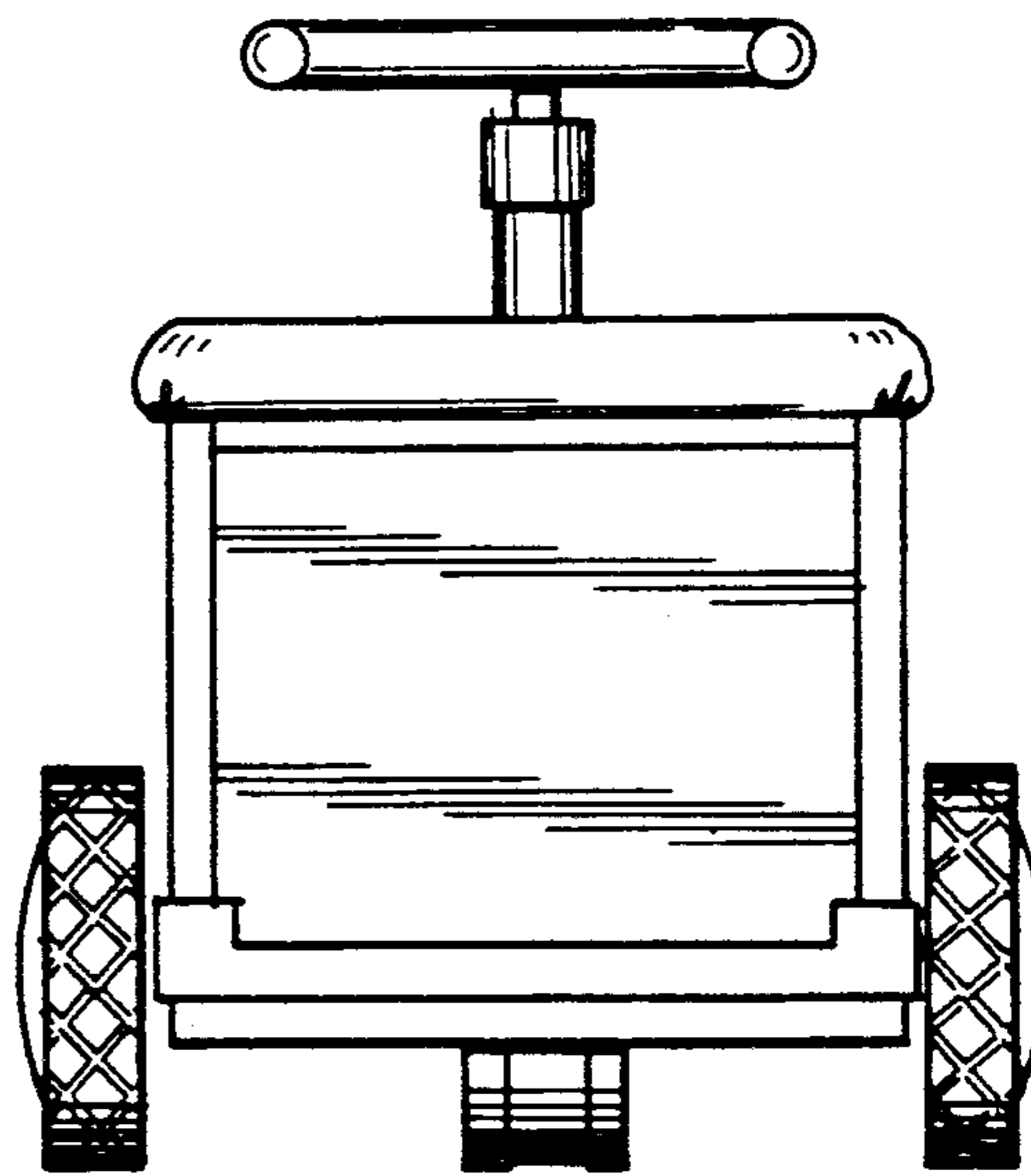


FIG. 3

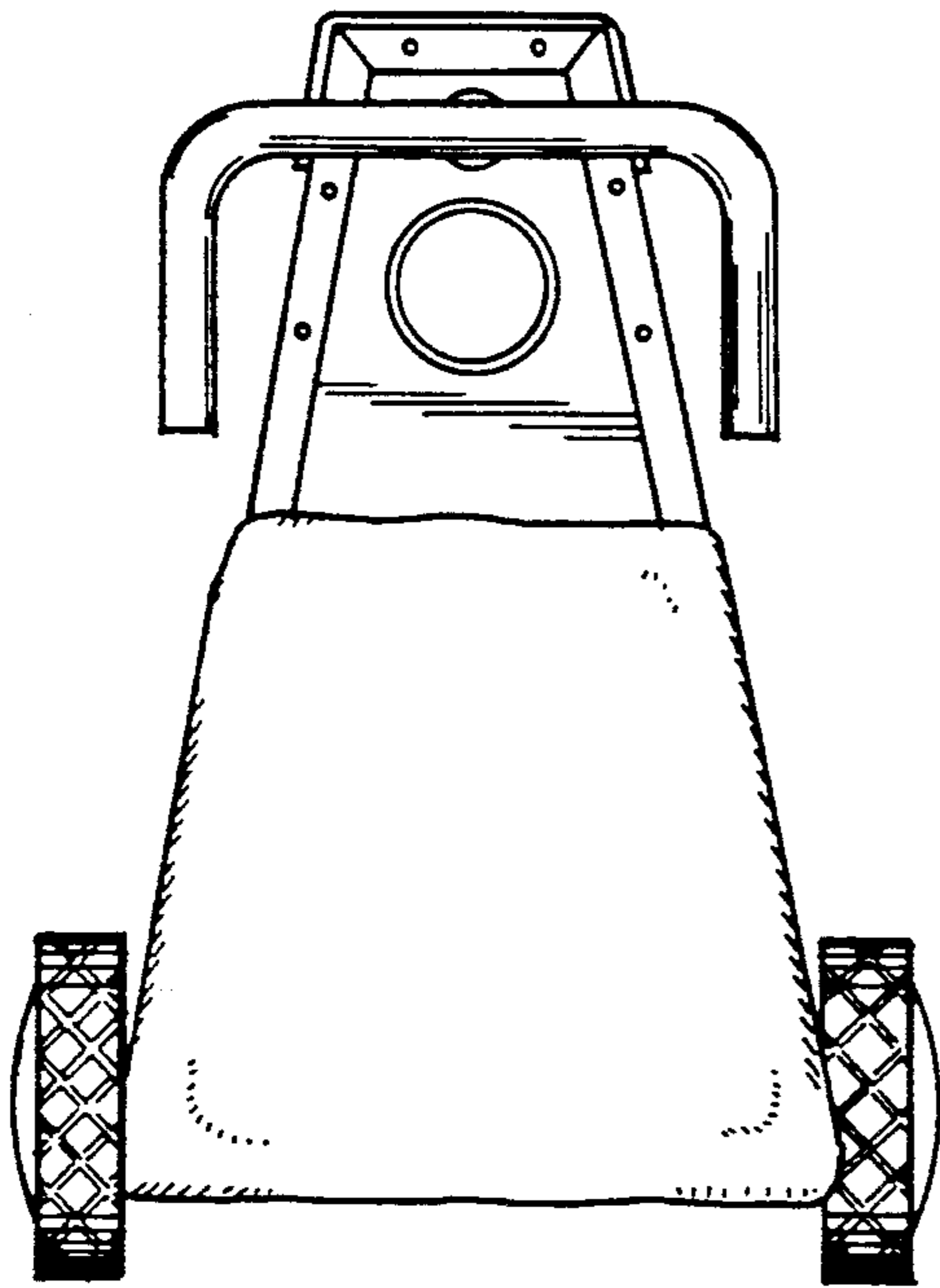


FIG. 4

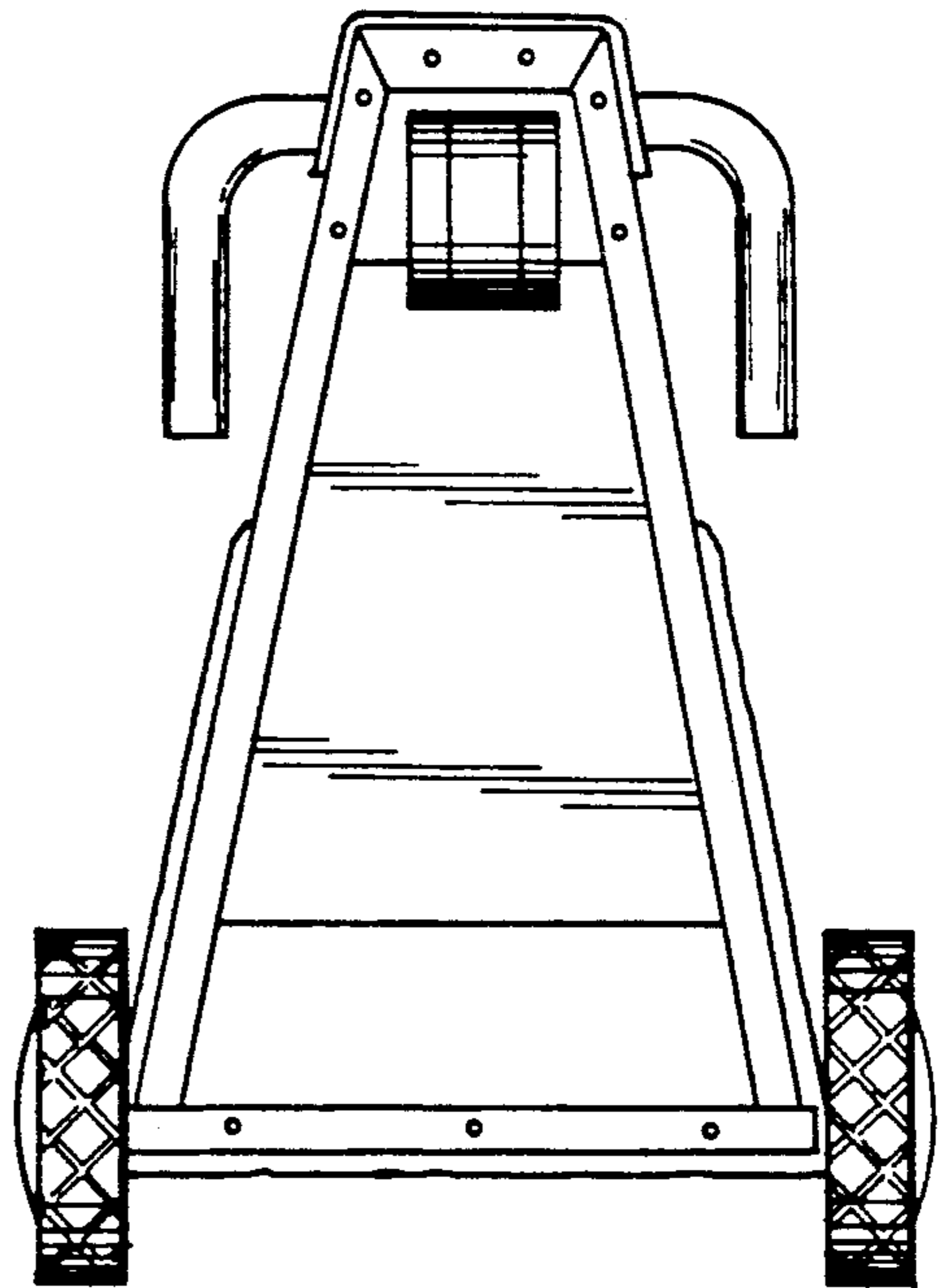


FIG. 5

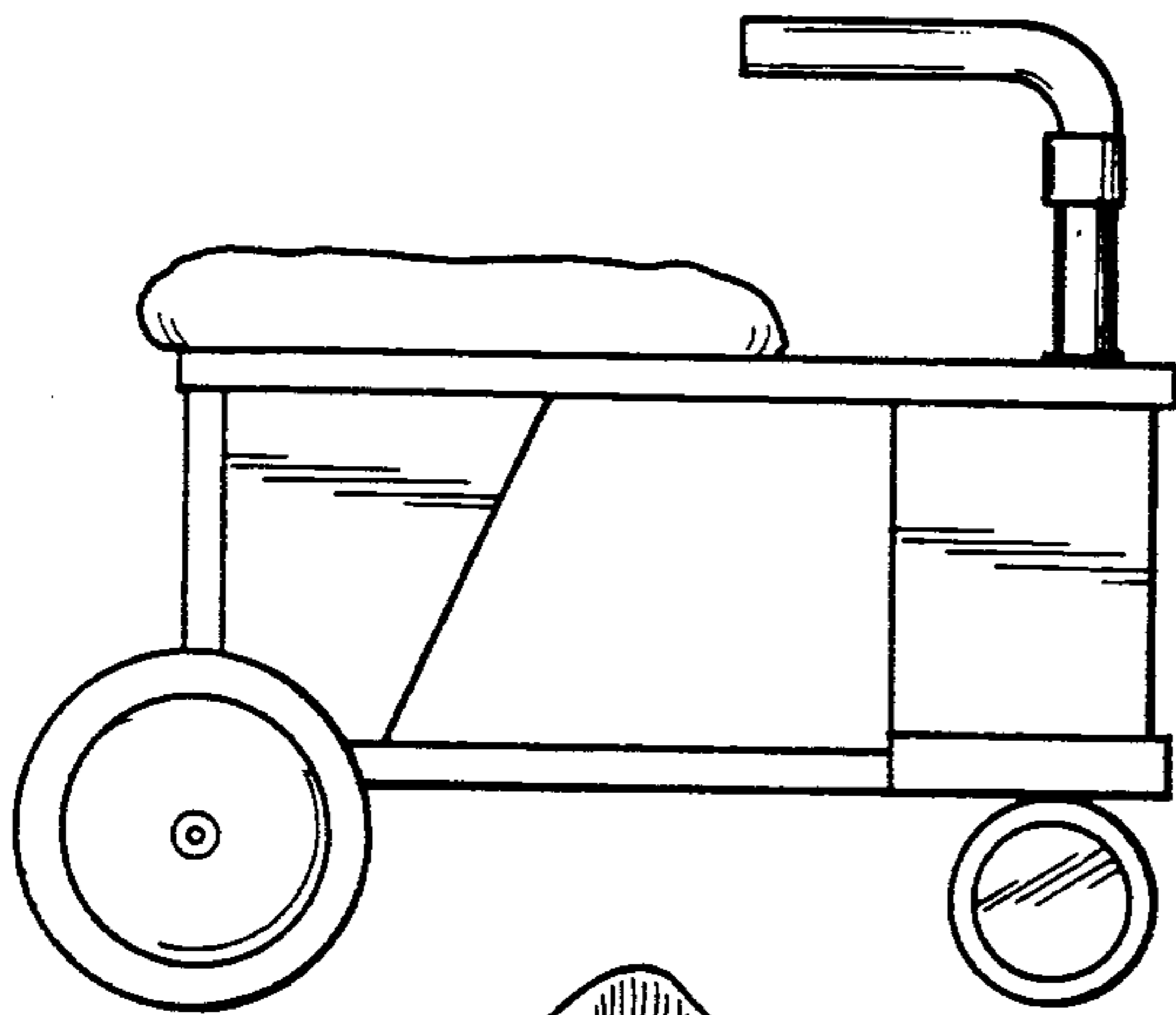


FIG. 6

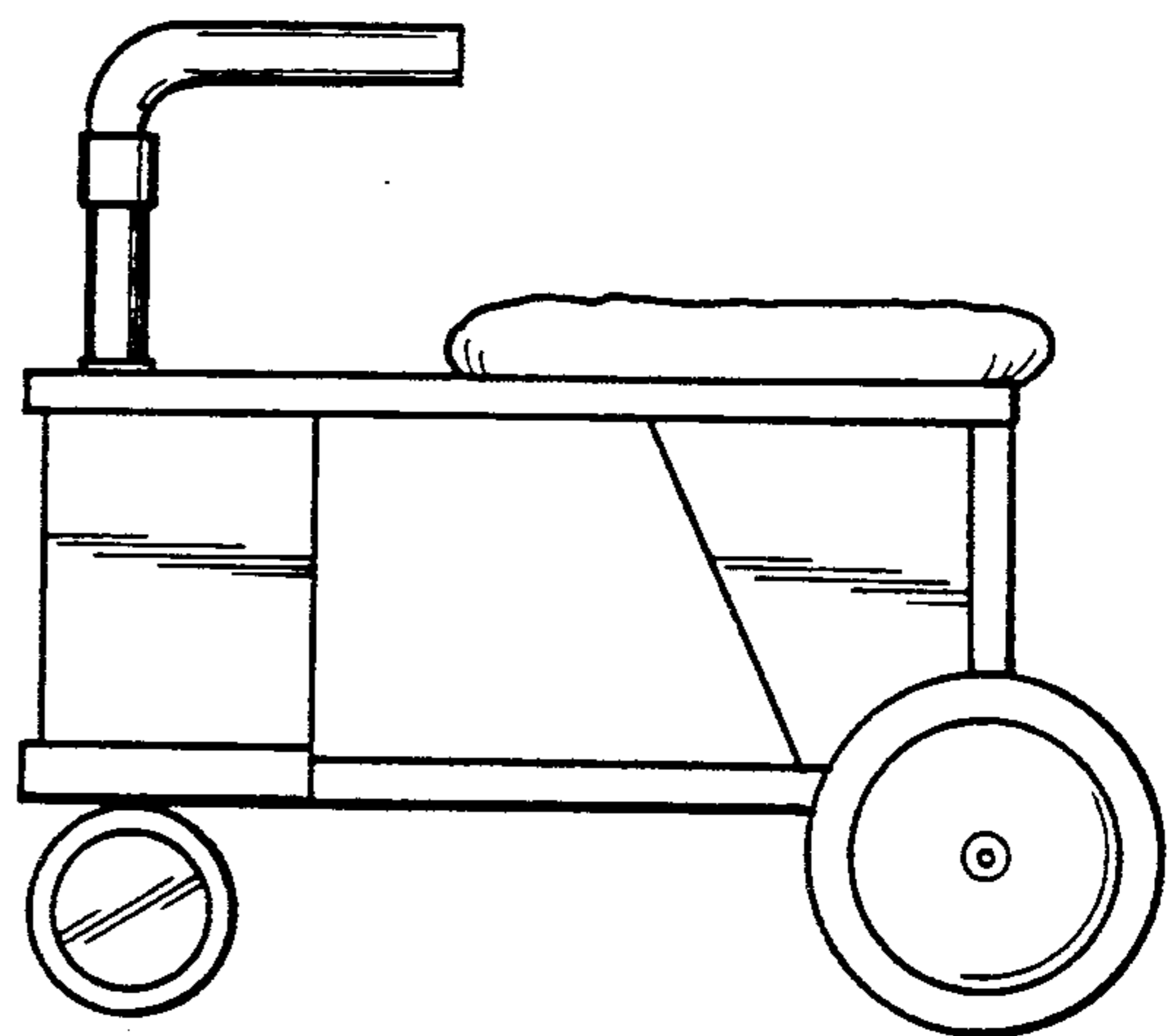


FIG. 7

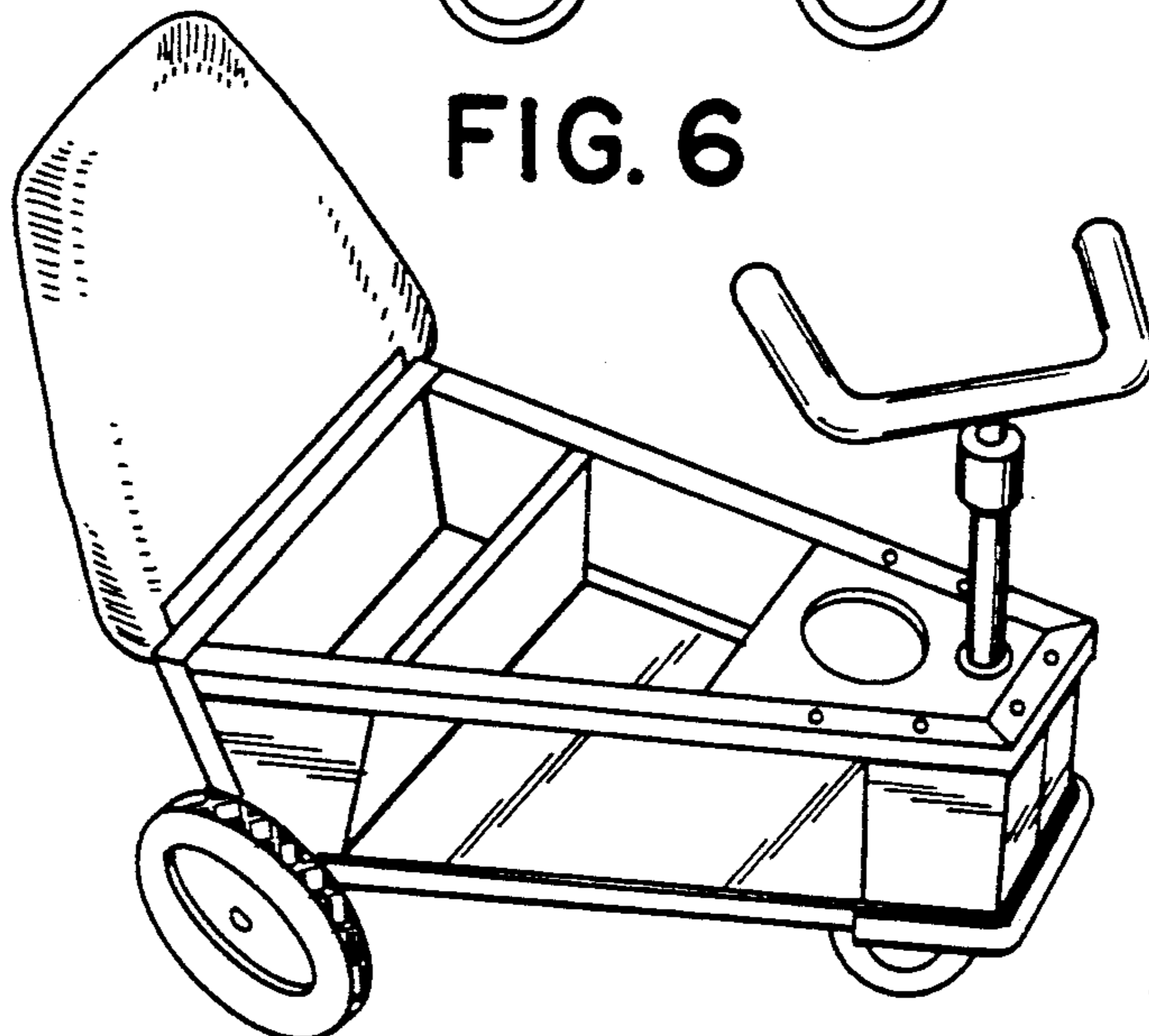


FIG. 8