

[54] **COMBINED PET STOOL AND RAMP**

[76] **Inventor: E. Boyd Holbrook, 4727
Lawrenceville Hwy., Tucker, Ga.
30084**

[**] **Term: 14 Years**

[21] **Appl. No.: 358,189**

[22] **Filed: May 30, 1989**

[52] **U.S. Cl. D30/160; 119/28.5;
D6/335; D6/349**

[58] **Field of Search D3/30.5; 119/28.5, 19,
119/28, 83, 29, 29.5; D6/349, 353, 501, 335,
480, 484; D30/158, 160, 119; 182/222; 108/90;
297/439; 128/87 R**

[56] **References Cited**

U.S. PATENT DOCUMENTS

D. 87,229	6/1932	McGowen	D6/349
D. 92,703	7/1934	Crego	297/439
D. 254,813	4/1980	Kossar	D30/158
2,579,797	12/1951	Churchfield et al.	119/28.5
2,593,319	4/1952	Levitin et al.	D6/335
2,639,114	5/1953	Allen	D30/133
3,159,141	12/1964	Paterek	119/29
3,173,398	3/1965	Raymond	119/28.5
3,472,224	10/1969	Ewerwahn	297/439

4,057,031 11/1977 Williams et al. 119/28.5
4,212,090 7/1980 Ehrlich

OTHER PUBLICATIONS

Home Craftsman; Jul.-Aug. 1949; p. 23; item #16, bot-
tom center page.

Lloyd Chromium Furniture Catalog No. 41-A; p. 52,
item SFS-45-E, left side page.

Brauer Bros. Mfg. Moose Brand Sporting Goods Dog
Furnishings Catalog; p. 18, Katnip Tree.

Primary Examiner—A. Hugo Word

Assistant Examiner—Cathy Anne MacCormac

Attorney, Agent, or Firm—Hurt, Richardson, Garner,
Todd & Cadenhead

[57] **CLAIM**

The ornamental design for a combined pet stool and
ramp, as shown and described.

DESCRIPTION

FIG. 1 is a perspective view of a combined pet stool and
ramp showing my new design;

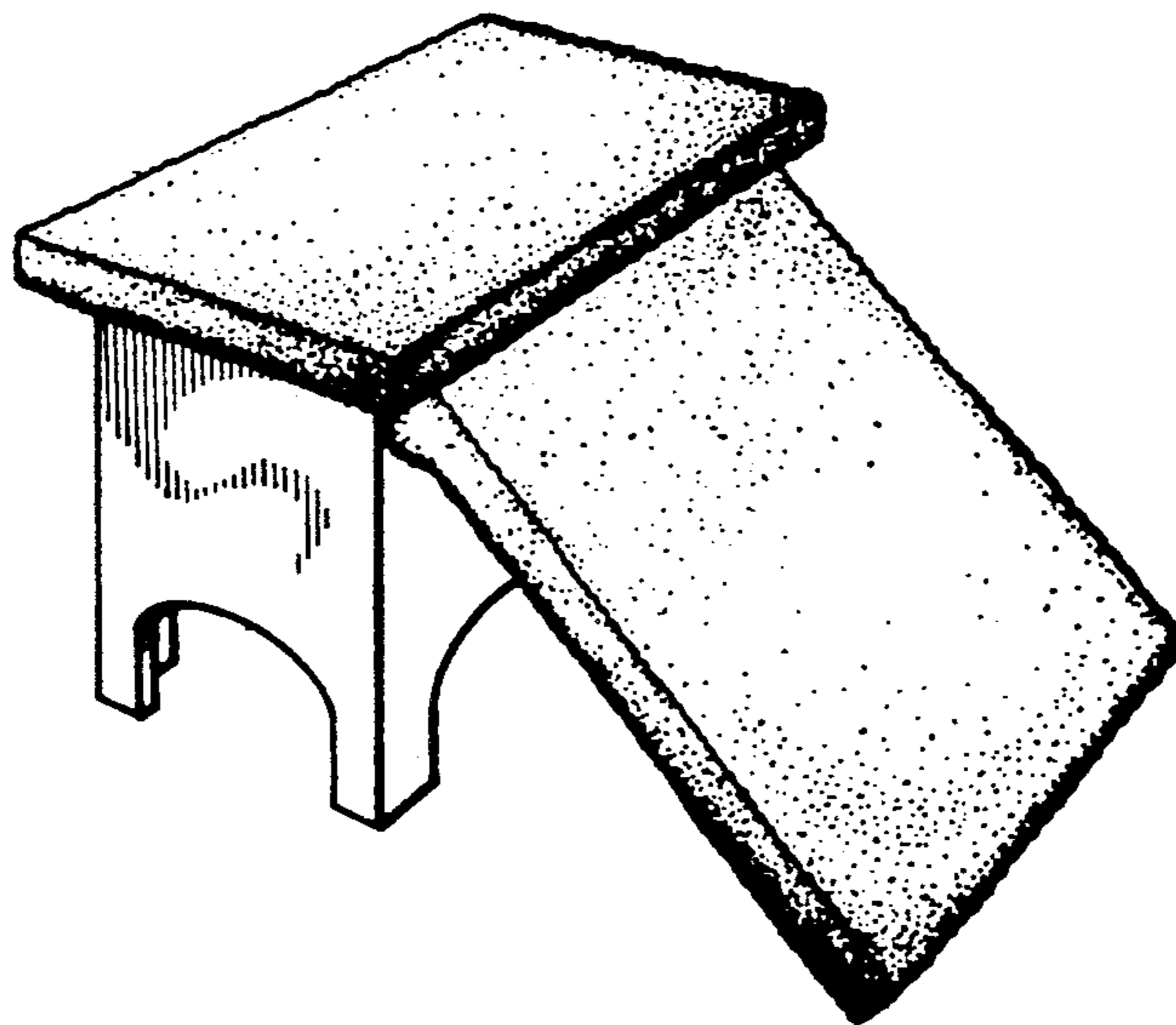
FIG. 2 is a front elevational view thereof;

FIG. 3 is a left side elevational view thereof the right
side being a mirror image of the left side shown;

FIG. 4 is a rear elevational view thereof;

FIG. 5 is a top plan view thereof; and

FIG. 6 is a bottom plan view thereof.



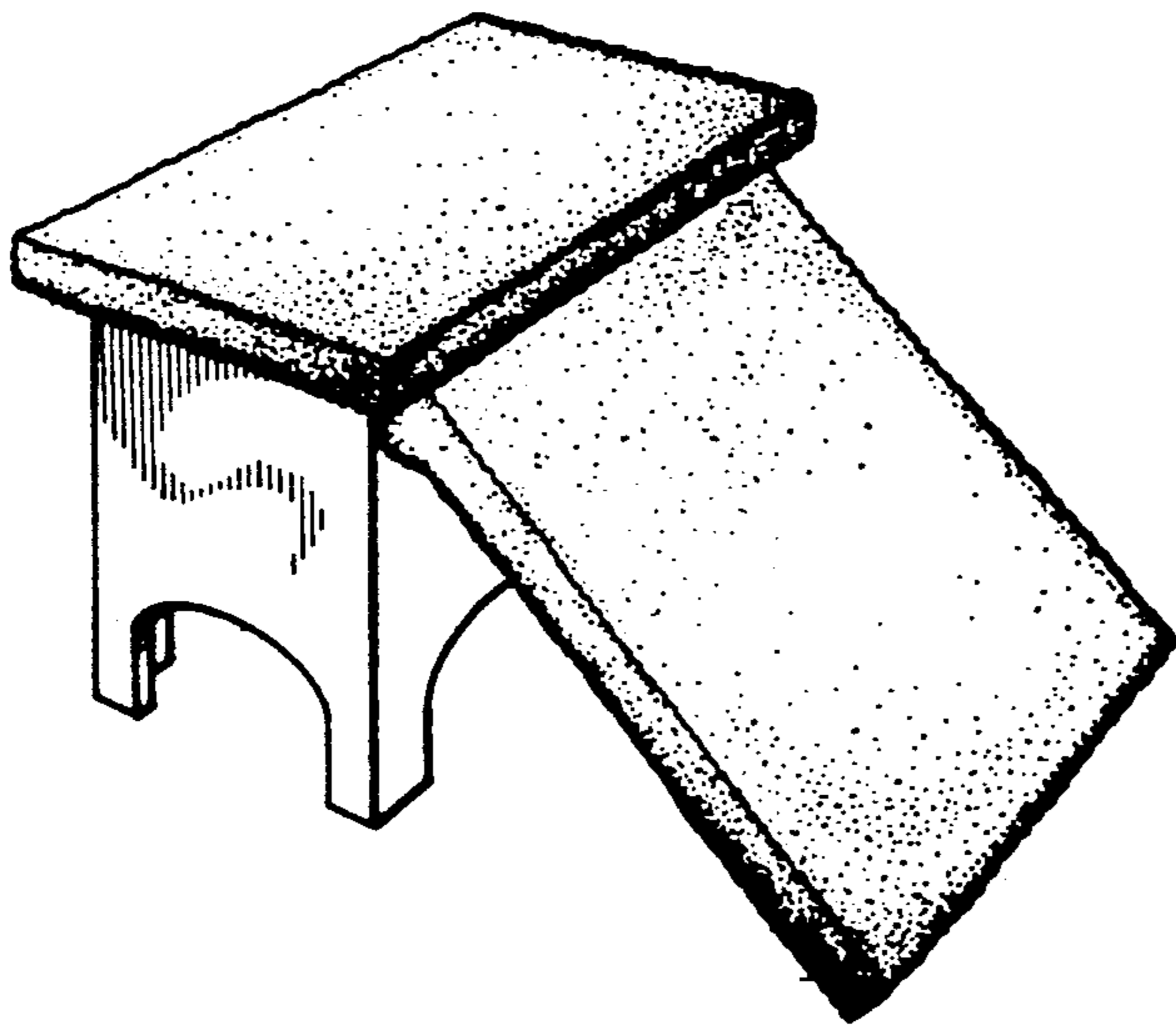


FIG 1



FIG 2

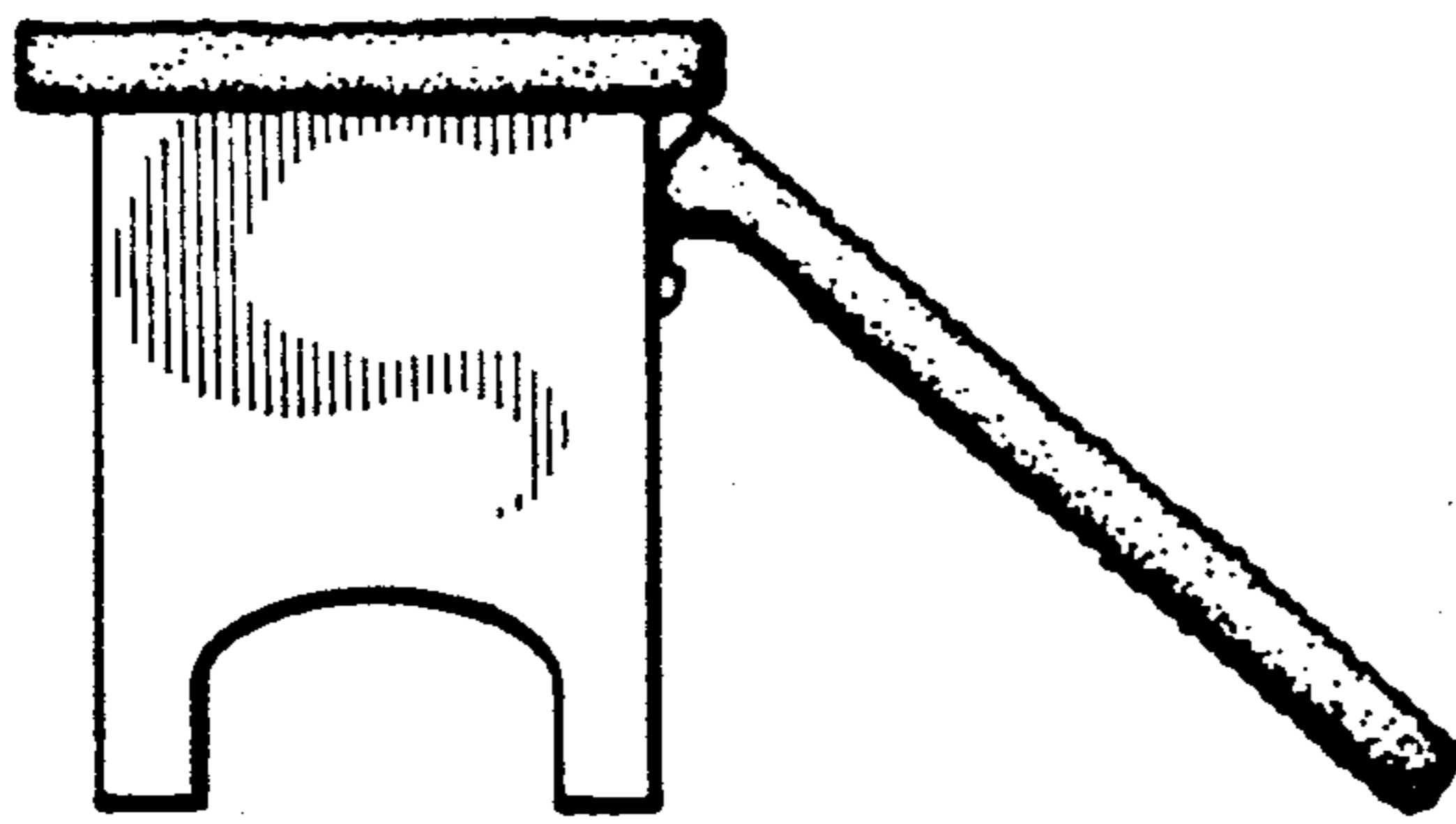


FIG 3

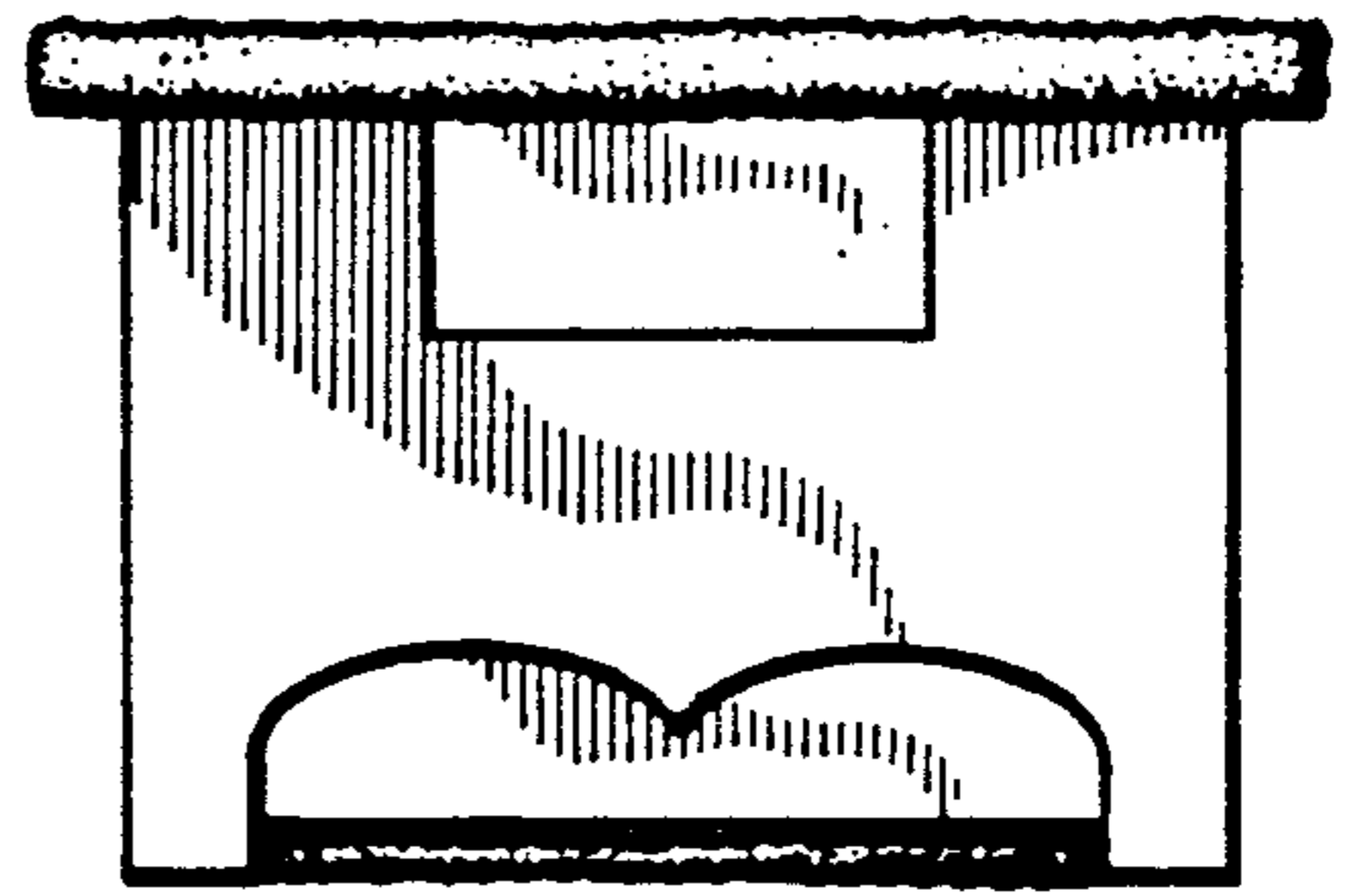


FIG 4

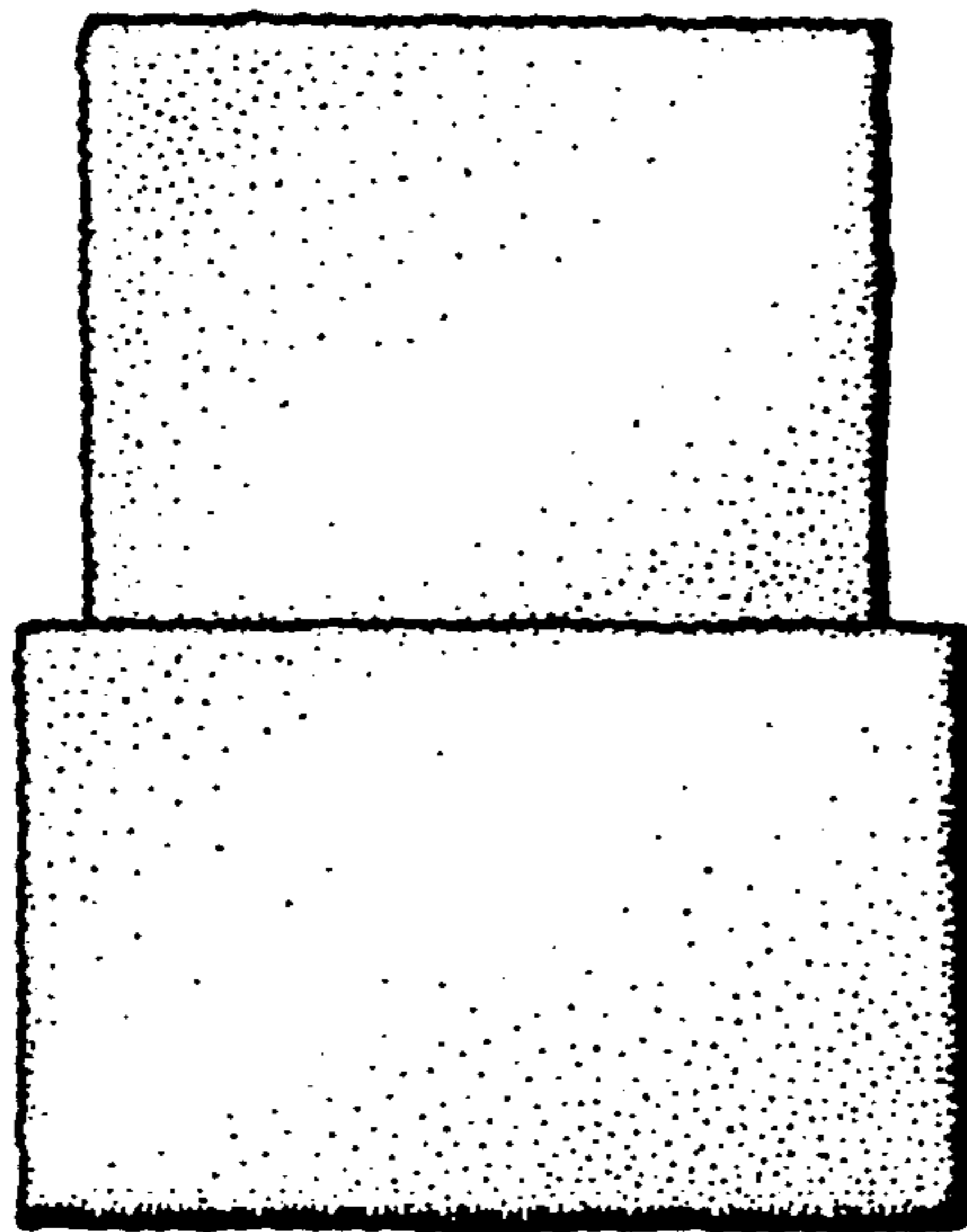


FIG 5

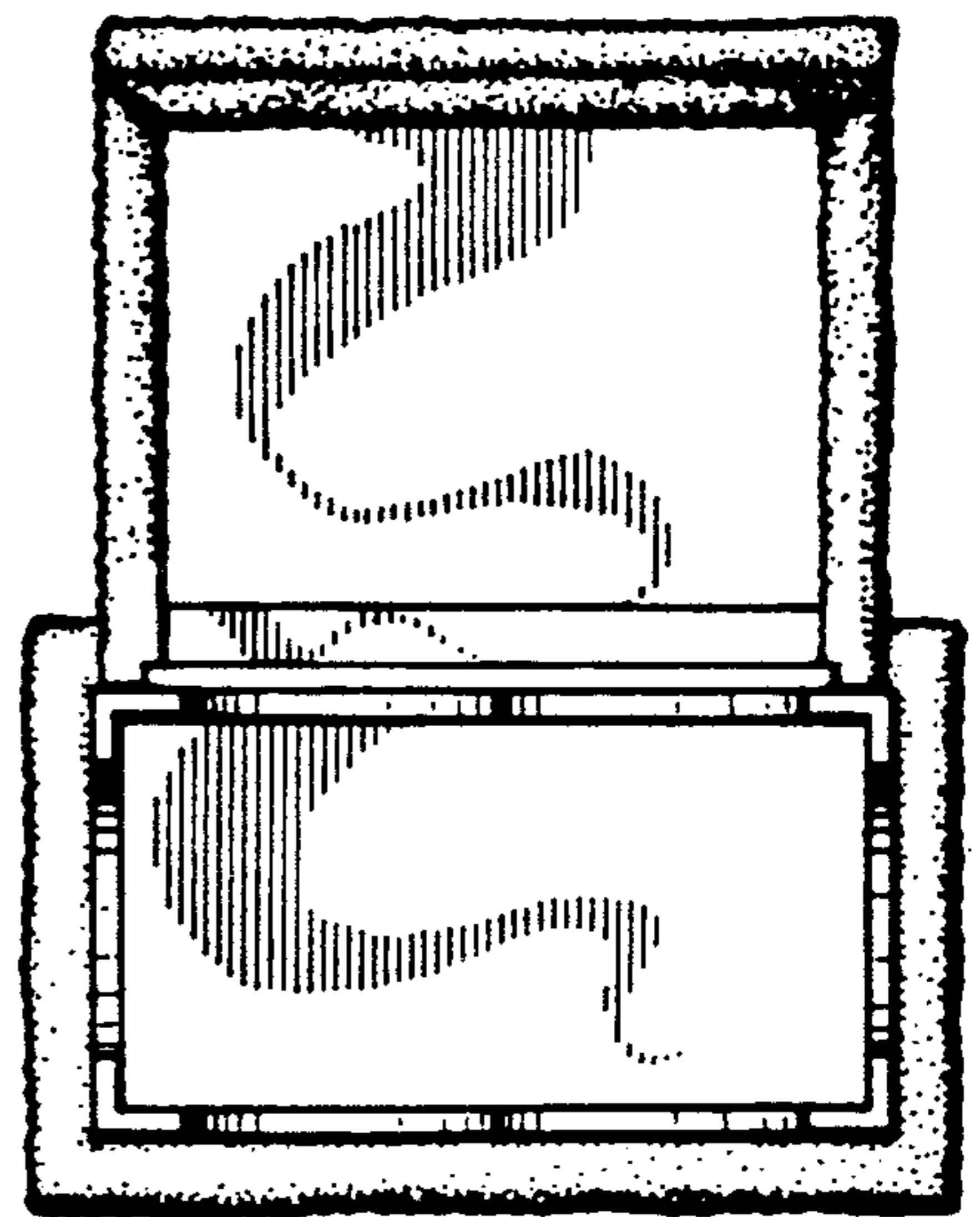


FIG 6