

[54] **ANIMAL DRINKER**

[76] **Inventor: Kenneth L. Schafer, Rte. 3, Box 73, LeSueur, Minn. 56058**

[**] **Term: 14 Years**

[21] **Appl. No.: 394,853**

[22] **Filed: Aug. 17, 1989**

[52] **U.S. Cl. D30/132; D30/131**

[58] **Field of Search D30/121-133; 119/18, 51.5, 52.1, 61, 72, 72.5, 73, 75, 77, 78; 137/445, 451**

[56] **References Cited**

U.S. PATENT DOCUMENTS

D. 142,793	11/1945	Running et al.	119/52.1
232,077	9/1880	Shaw et al.	119/78
D. 241,041	8/1976	Bohlmann	D30/131
D. 246,121	10/1977	Hedstrom	D30/131
669,415	3/1901	Jacobs	119/73
1,086,785	2/1914	Parkins	119/78
1,465,763	8/1923	Heacock	119/52.1
1,684,197	9/1928	Petsch	119/73
1,835,352	12/1931	Stangl	119/73
2,234,041	3/1941	Chandler	D30/131
2,629,040	2/1953	Smith	119/73
2,933,063	4/1960	Geerlings	D30/131
3,057,330	10/1962	Leach	119/52.1
3,441,004	4/1969	Henke et al.	119/72
3,745,977	7/1973	Martin	119/75
3,835,882	9/1974	Barker et al.	137/445
3,942,478	3/1976	Lane	D30/122
4,003,340	1/1977	Kuzara et al.	119/73
4,100,885	7/1978	Kapplinger	119/73
4,154,356	5/1979	Schieve	D30/131
4,343,264	8/1982	Schafer et al.	119/73

4,395,974	8/1983	Schafer et al.	119/73
4,708,091	11/1987	Schafer	119/73
4,744,332	5/1988	Ahrens	119/73

FOREIGN PATENT DOCUMENTS

1181481	11/1964	Fed. Rep. of Germany	119/73
---------	---------	----------------------------	--------

OTHER PUBLICATIONS

Fibernetics Brochure—Hog Drinkers; Mar. '82; Hog Drinker I and II.

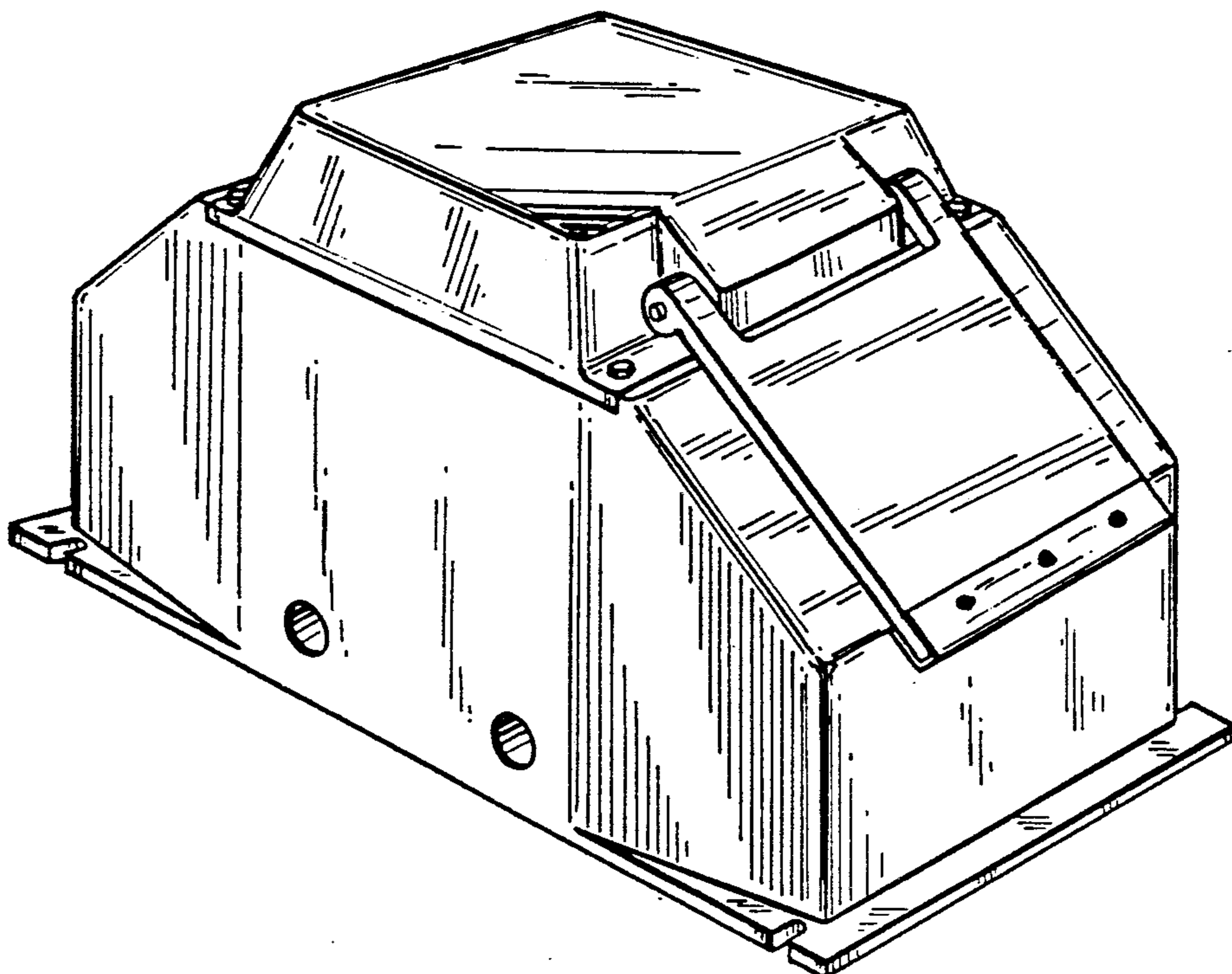
Primary Examiner—A. Hugo Word
Assistant Examiner—Cathy Anne MacCormac
Attorney, Agent, or Firm—Burd, Bartz & Gutenkauf

[57] **CLAIM**

The ornamental design for an animal drinker, as shown and described.

DESCRIPTION

FIG. 1 is a perspective view of an animal drinker showing my new design;
 FIG. 2 is a top plan view thereof;
 FIG. 3 is a front elevational view thereof;
 FIG. 4 is a rear elevational view thereof;
 FIG. 5 is an end elevational view thereof, the opposite end being a mirror image of the end shown;
 FIG. 6 is a bottom plan view thereof;
 FIG. 7 is a perspective view of a second embodiment of the design shown in FIG. 1;
 FIG. 8 is a top plan view of FIG. 7;
 FIG. 9 is a front elevational view of FIG. 7;
 FIG. 10 is a rear elevational view of FIG. 7;
 FIG. 11 is an end elevational view of FIG. 7, the opposite end being a mirror image of the end shown; and
 FIG. 12 is a bottom plan view of FIG. 7.



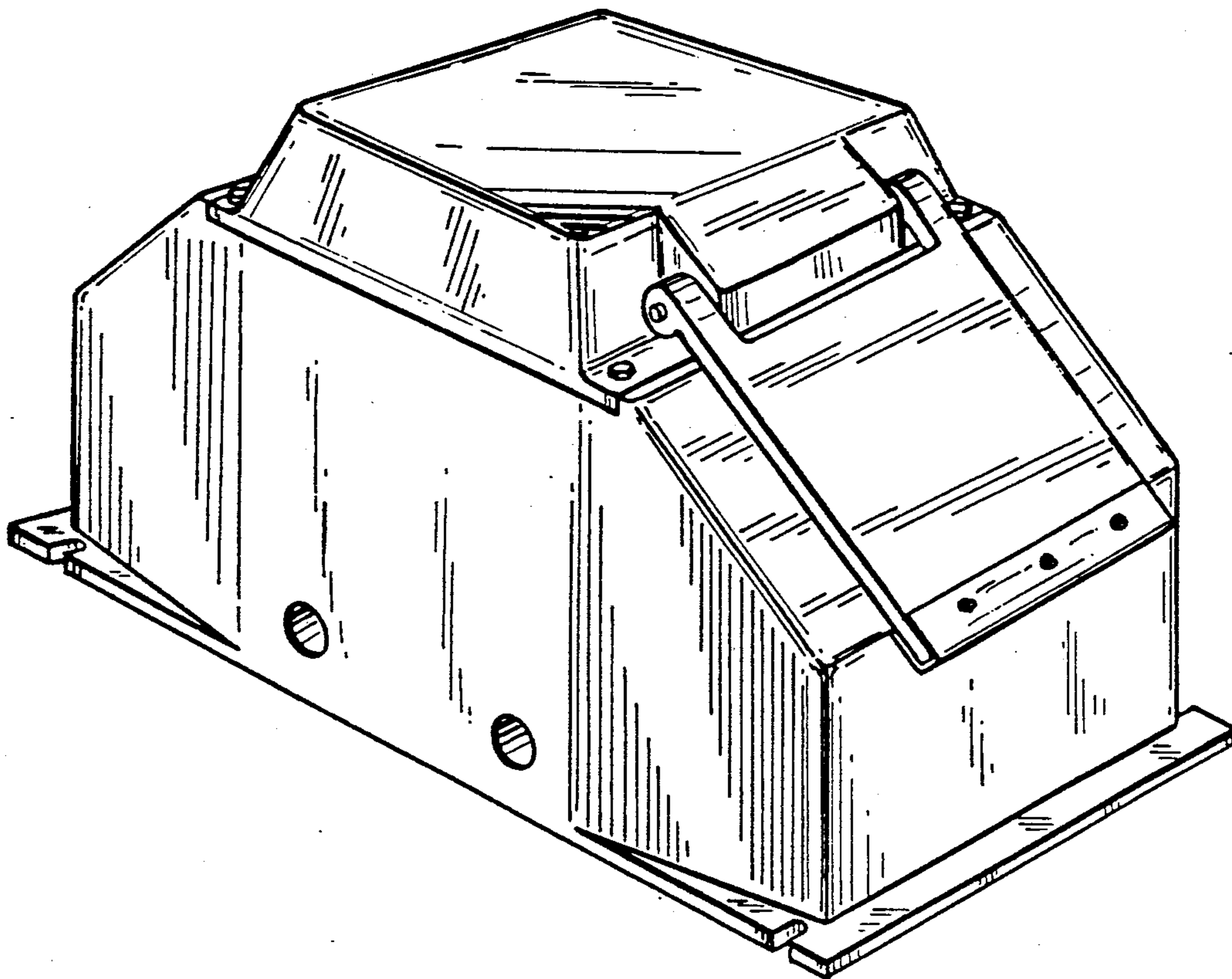


FIG. 1

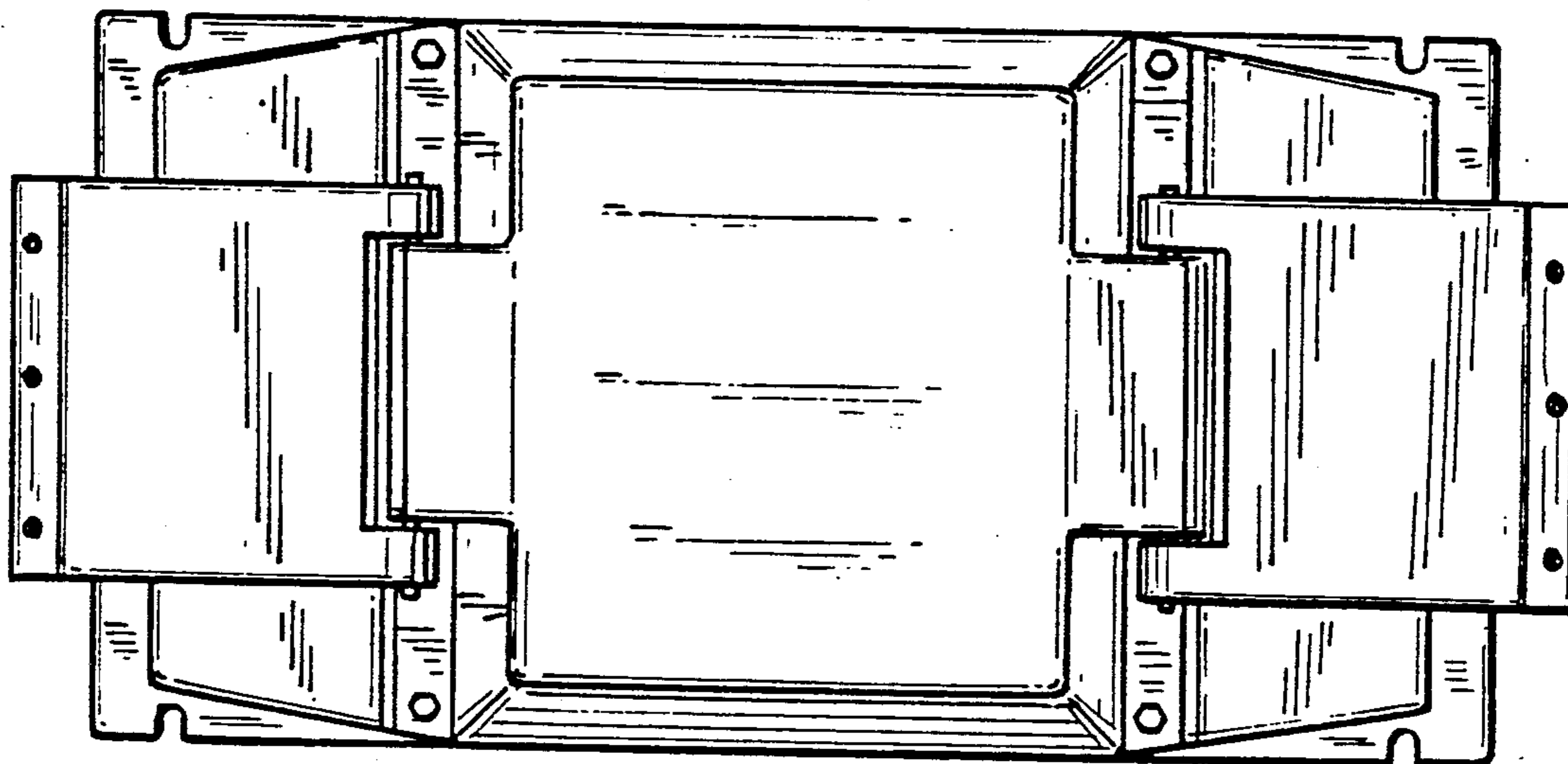


FIG. 2

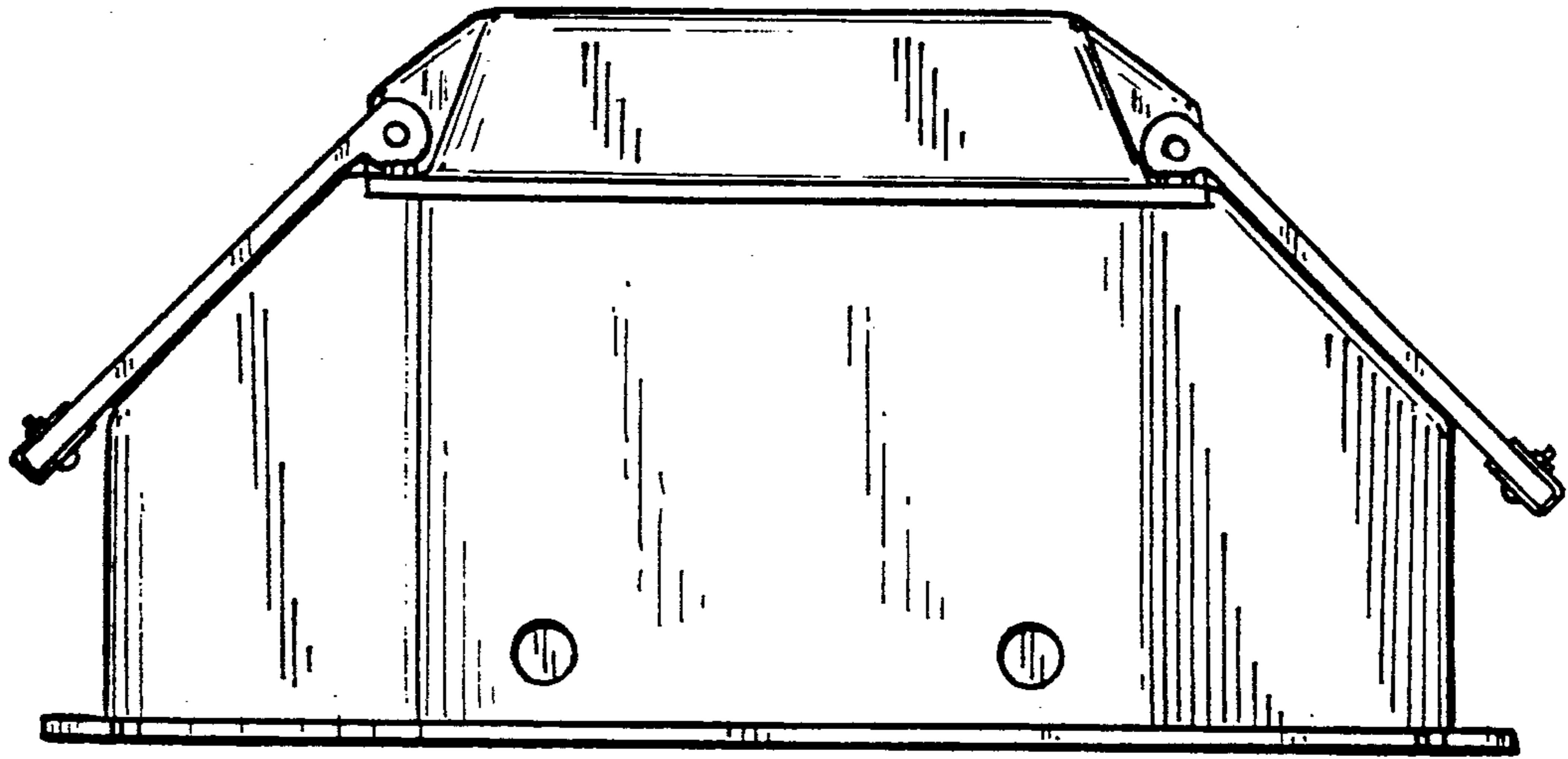


FIG. 3

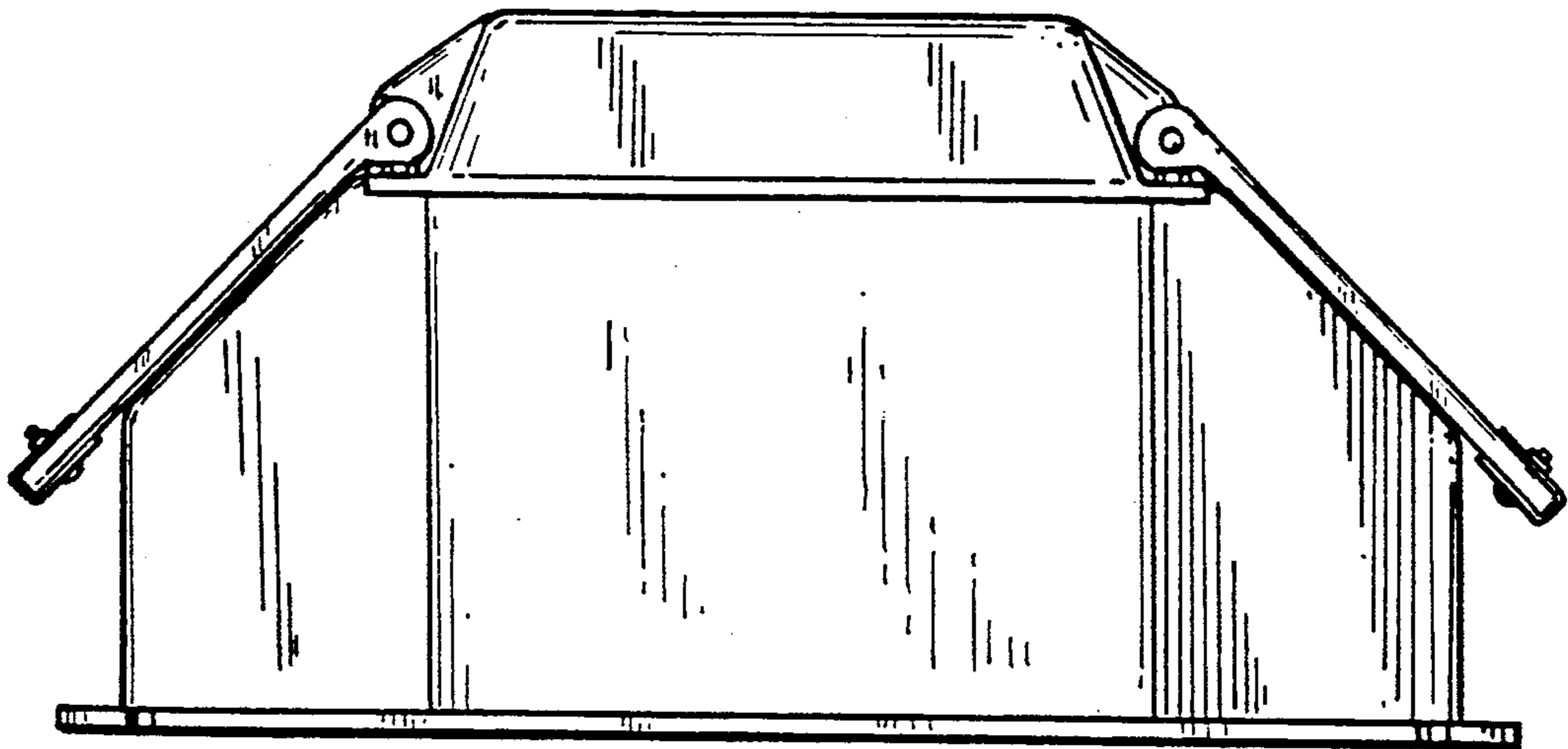


FIG. 4

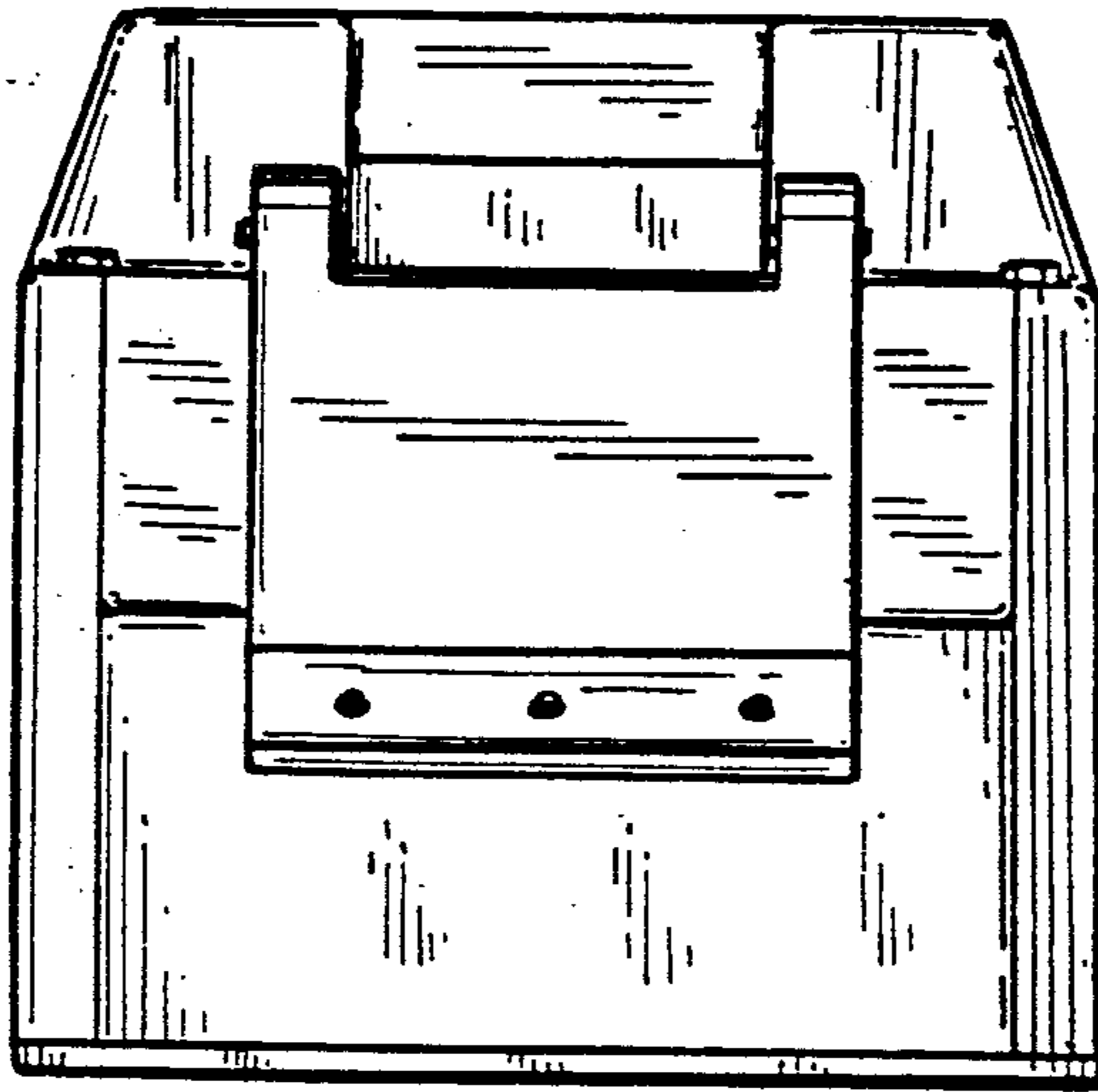


FIG. 5

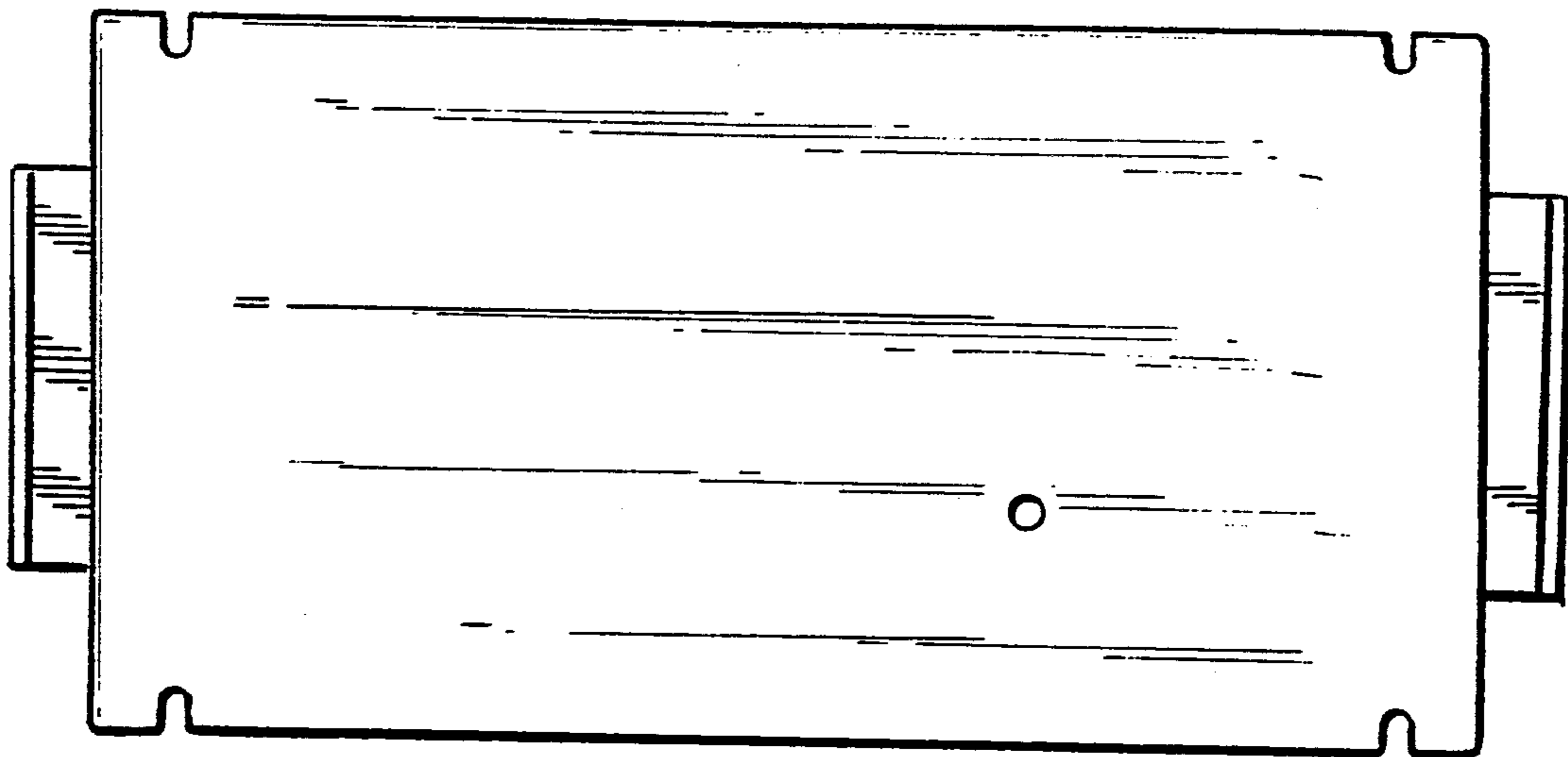


FIG. 6

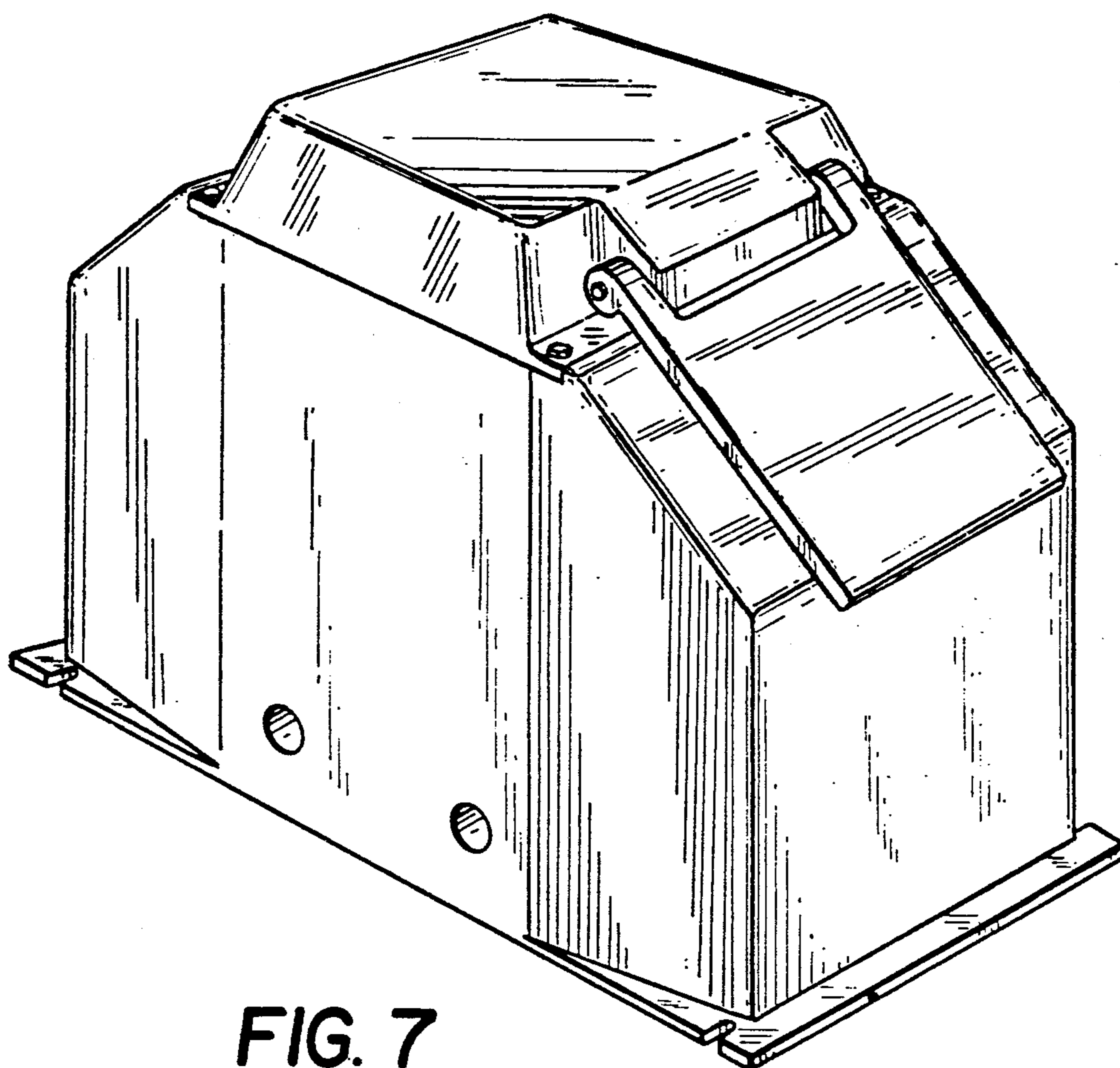


FIG. 7

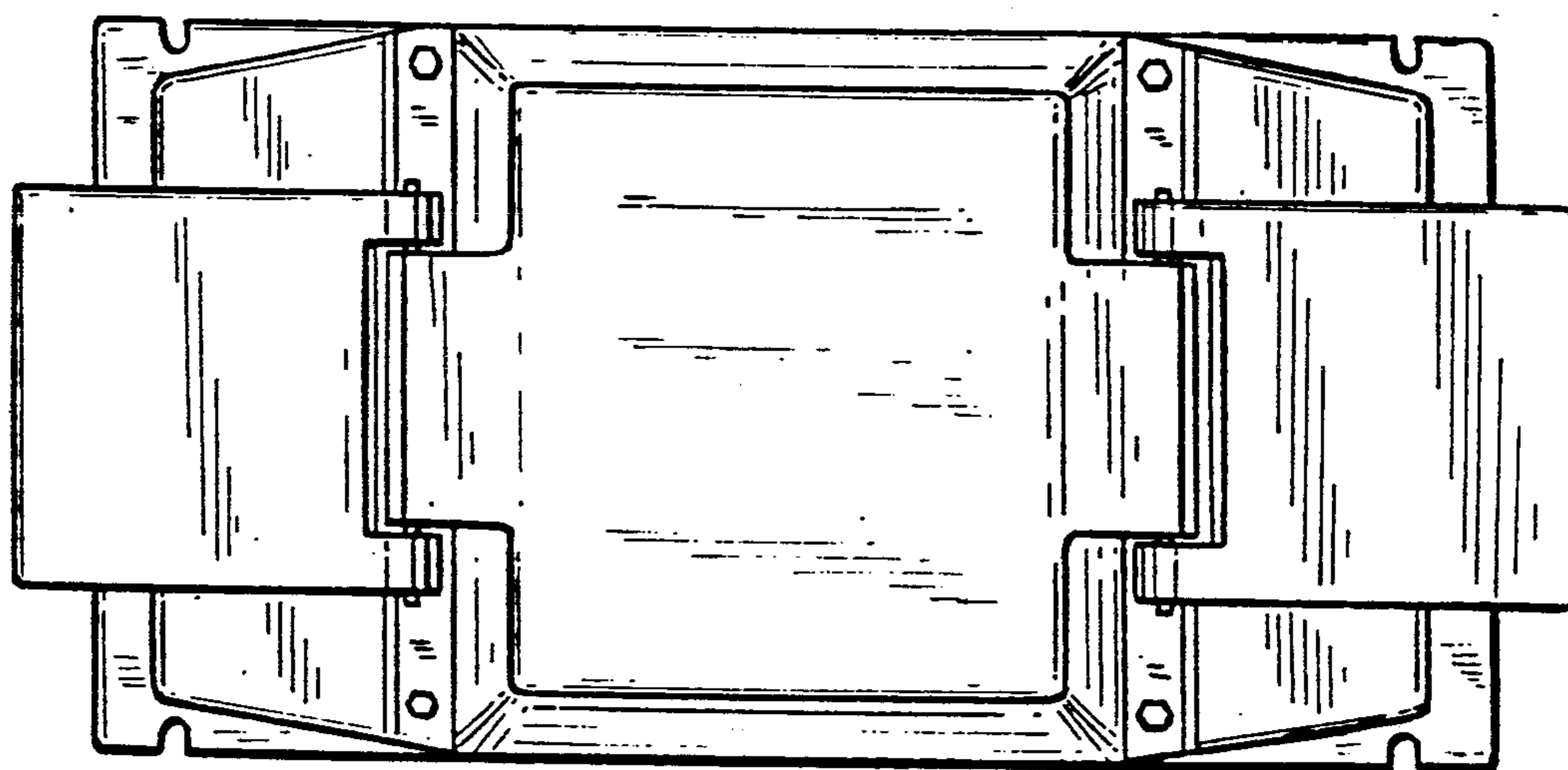


FIG. 8

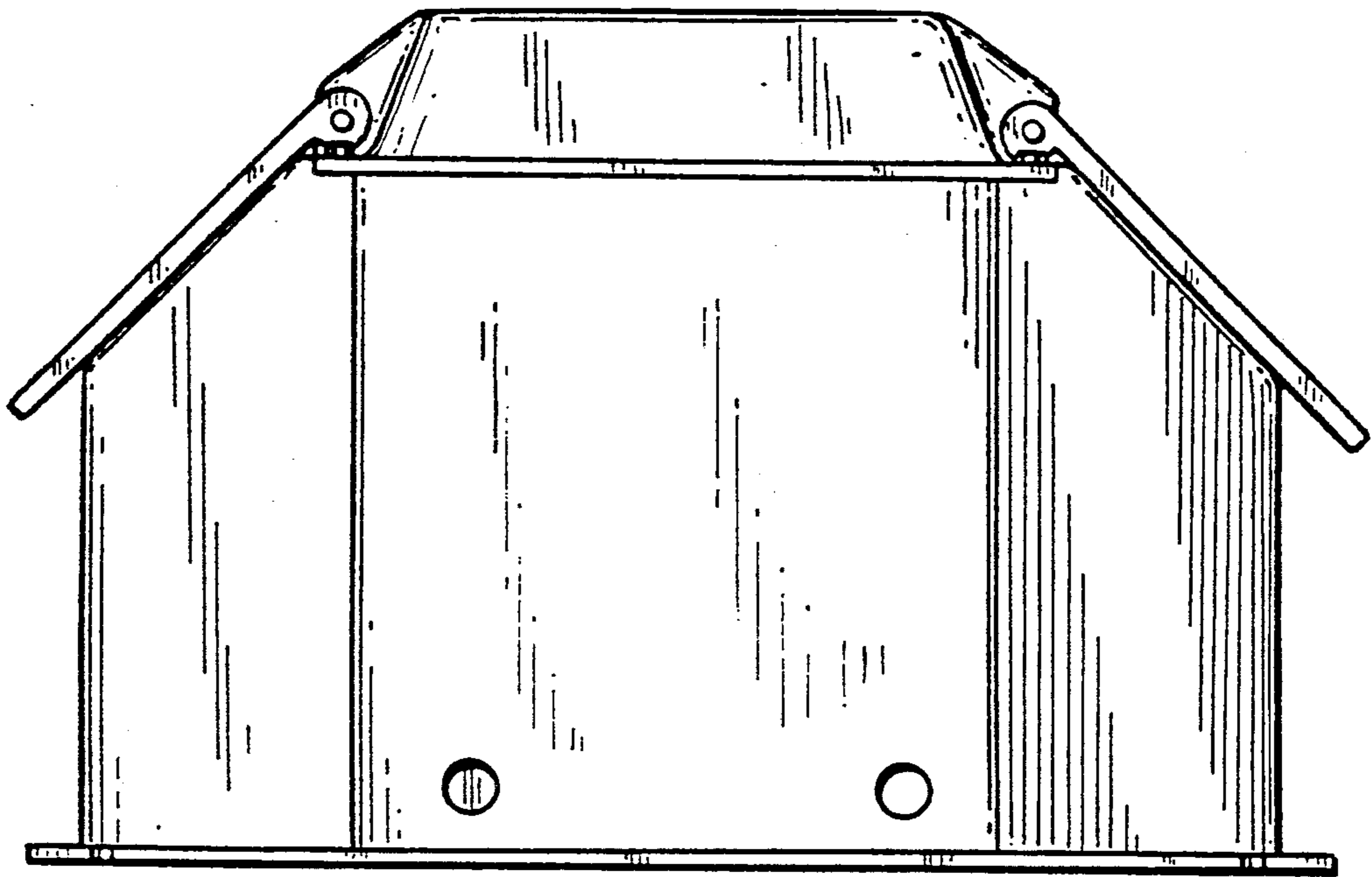


FIG. 9

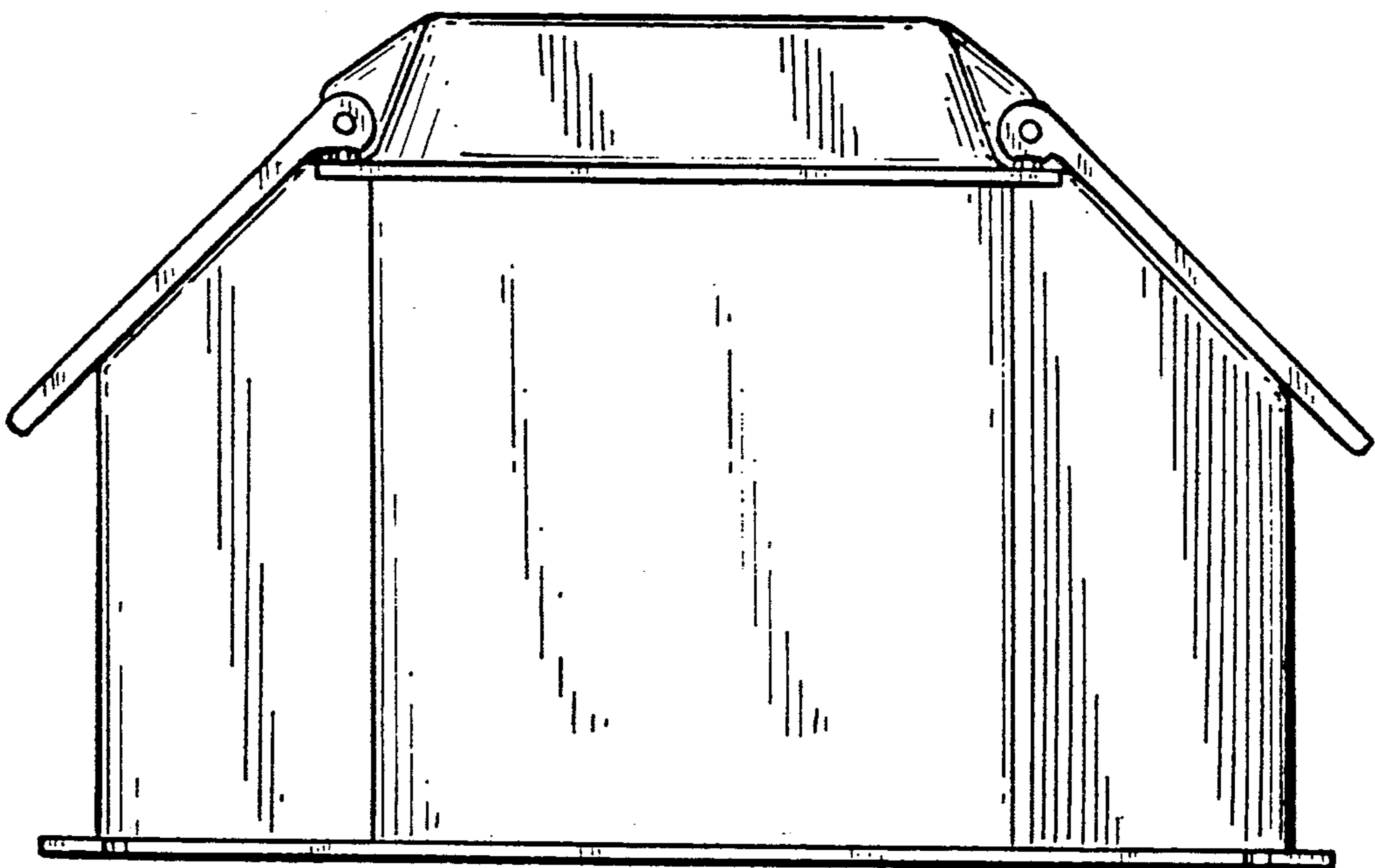


FIG. 10

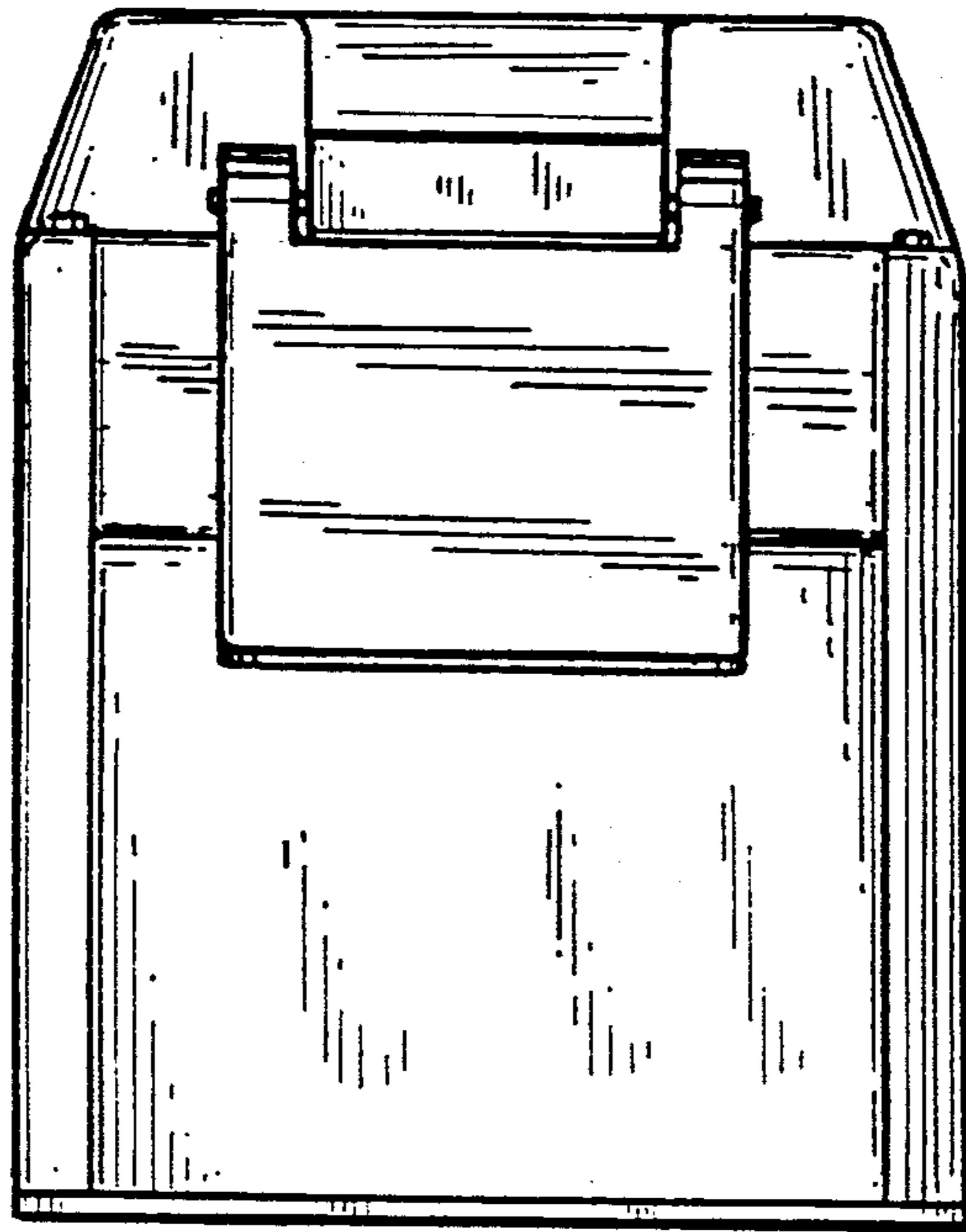


FIG. 11

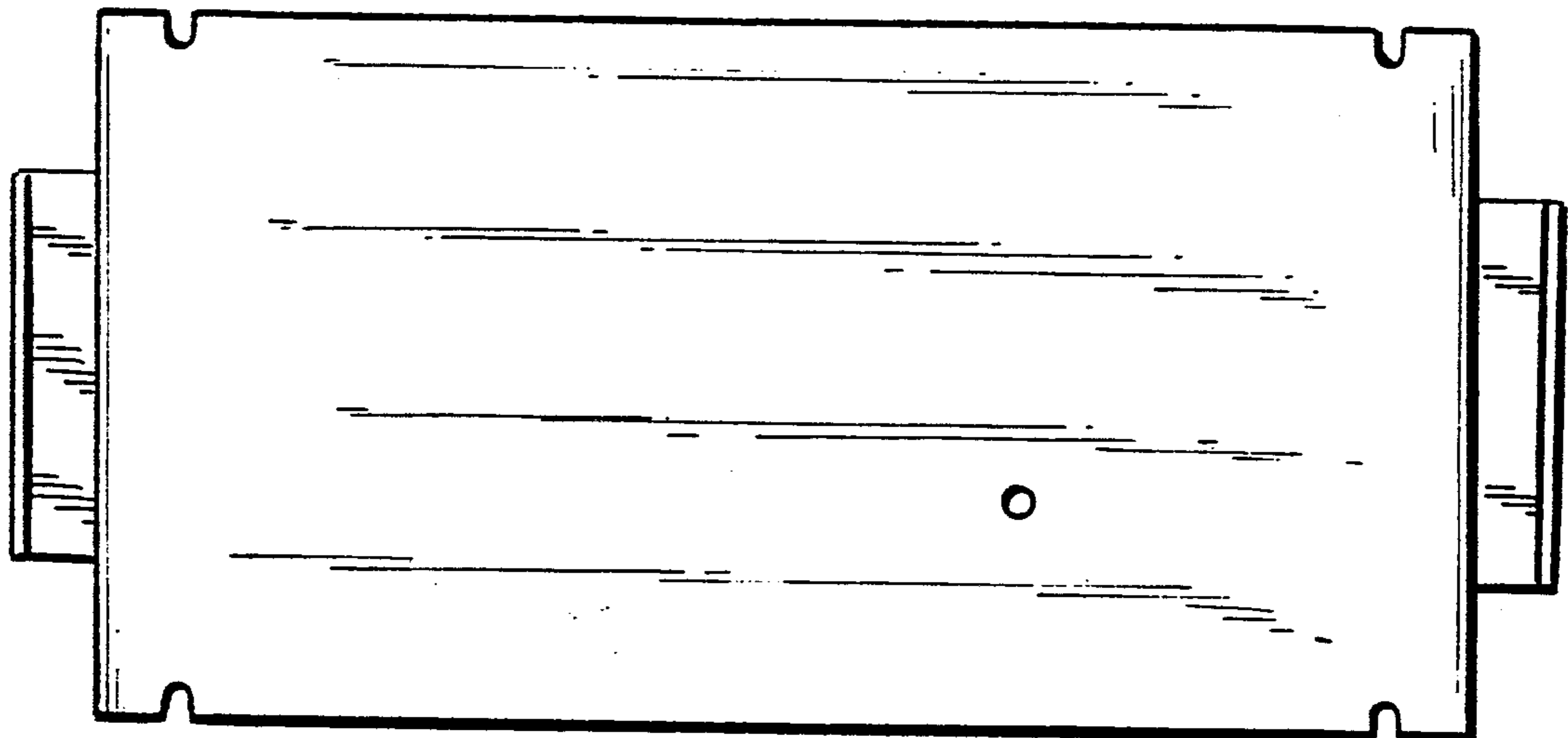


FIG. 12