

[54] **DETACHABLE HANDLE FOR ADJUSTABLE MEDICAL LIGHT OR THE LIKE**

*Primary Examiner*—Susan J. Lucas  
*Attorney, Agent, or Firm*—Lawrence C. Edelman

[75] **Inventors:** Arthur L. Jones; George McGaha, both of Charlotte, N.C.; Paul P. Kolada, Bexley; Rainer Teufel, Columbus, both of Ohio

[57] **CLAIM**

The ornamental design for a detachable handle for adjustable medical light or the like, as shown and described.

[73] **Assignee:** The Pelton & Crane Company, Charlotte, N.C.

**DESCRIPTION**

[\*\*] **Term:** 14 Years

FIG. 1 is a top, front, left side isometric view of a detachable handle for adjustable medical light or the like showing our new design;

[21] **Appl. No.:** 397,591

FIG. 2 is a left side elevational view thereof on an enlarged scale, the right side being identical;

[22] **Filed:** Aug. 23, 1989

FIG. 3 is a front elevational view thereof, the rear being identical;

[52] **U.S. Cl.** ..... D26/113; D26/113

FIG. 4 is a top plan view thereof;

[58] **Field of Search** ..... D26/60-66, D26/113, 140; 362/267, 275, 285, 418, 419, 427, 804, 147, 399, 400, 371; 16/114 R

FIG. 5 is a bottom plan view thereof;

FIG. 6 is a top, front, left side isometric view of a second embodiment of our new design;

[56] **References Cited**

**U.S. PATENT DOCUMENTS**

D. 201,038	5/1965	Sullivan et al. ....	D48/20
D. 264,508	5/1982	Williams et al. ....	D26/61
3,764,795	10/1973	Austin, Jr. ....	362/804 X
4,254,454	3/1981	Hardin, Jr. ....	362/804 X
4,975,826	12/1990	Bell ....	362/804 X

FIG. 7 is a left side elevational view thereof on an enlarged scale, the right side being identical;

FIG. 8 is a front elevational view thereof, the rear being identical;

FIG. 9 is a top plan view thereof;

FIG. 10 is a bottom plan view thereof.

The broken lines are shown for illustrative purposes only.

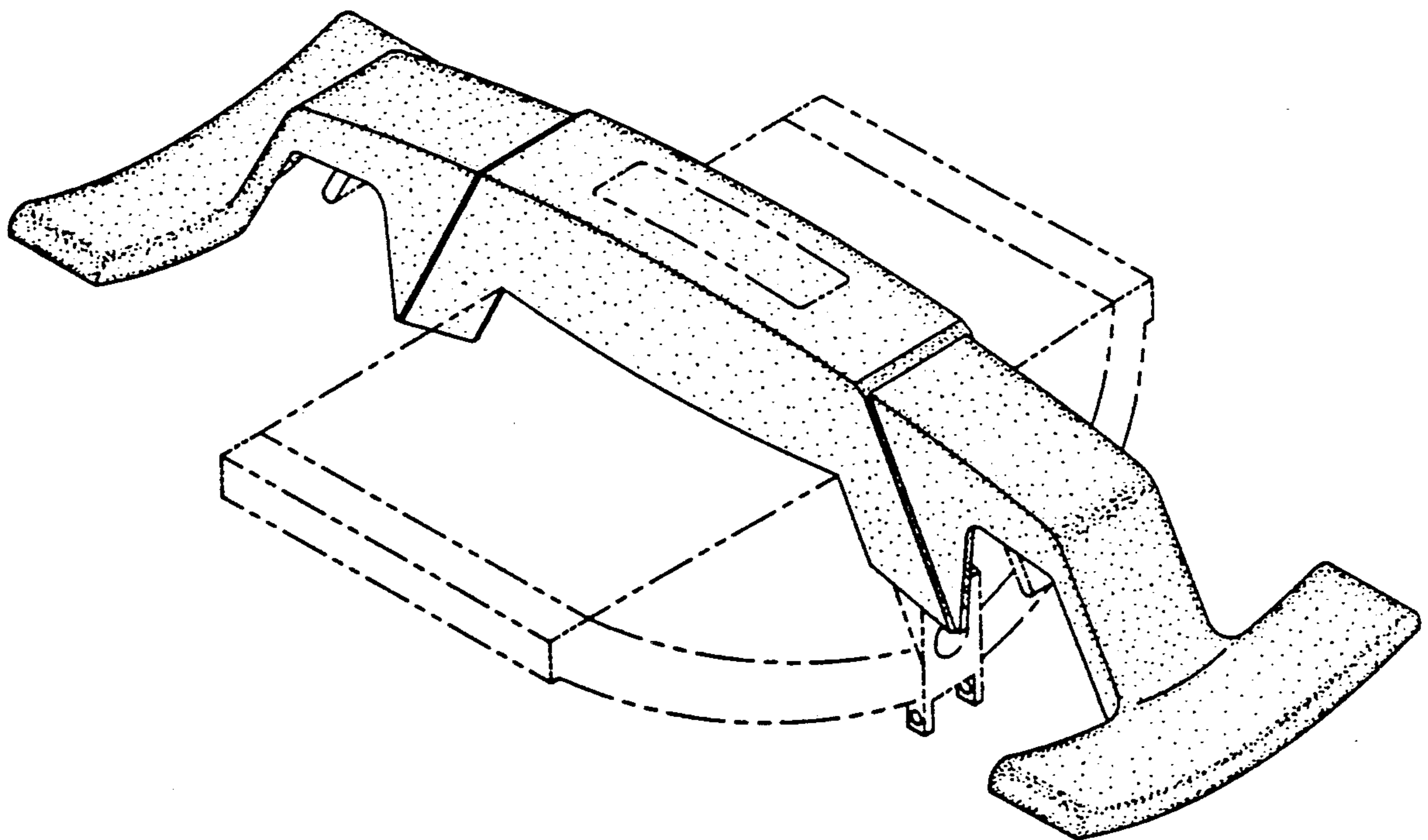


FIG. 1

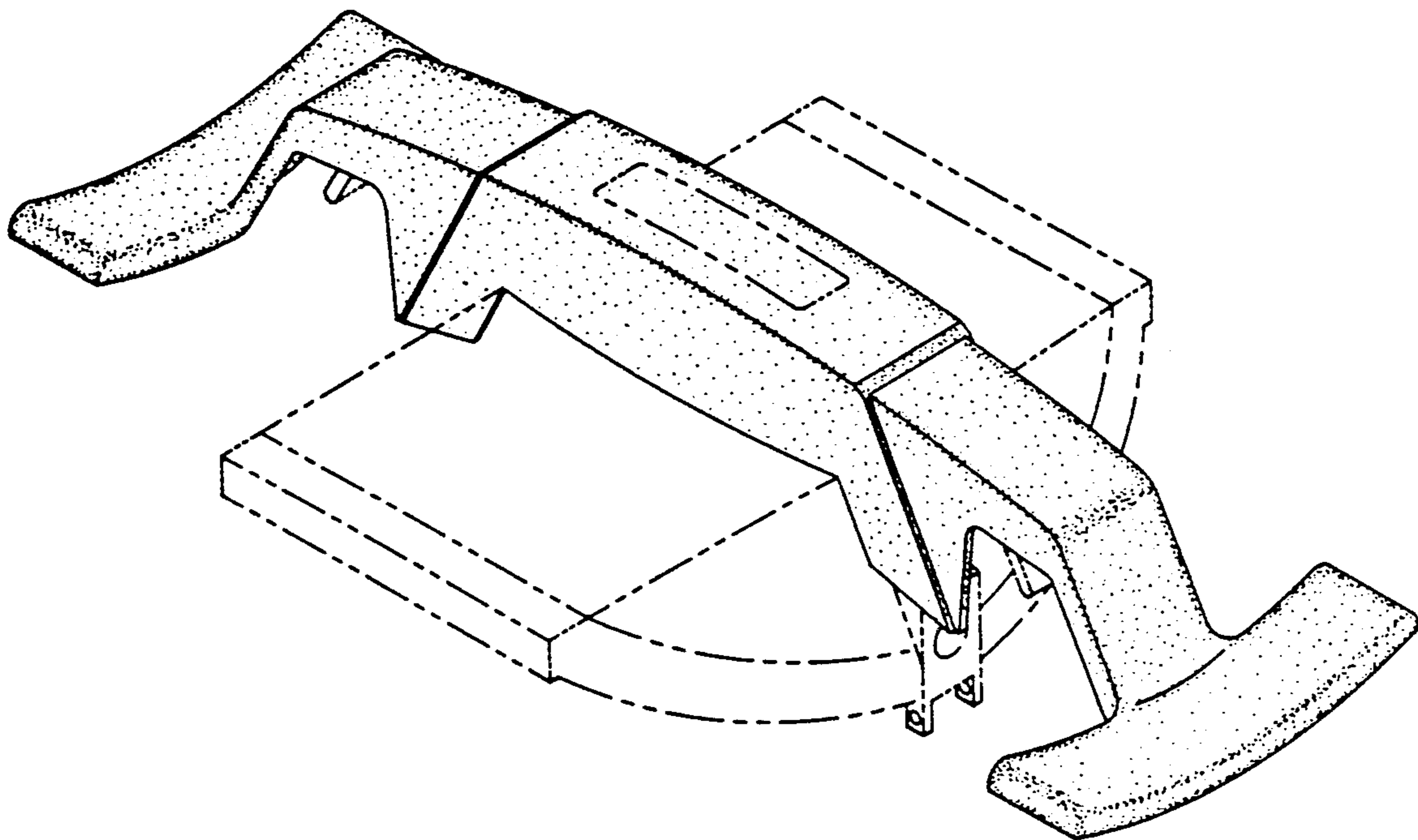


FIG. 2

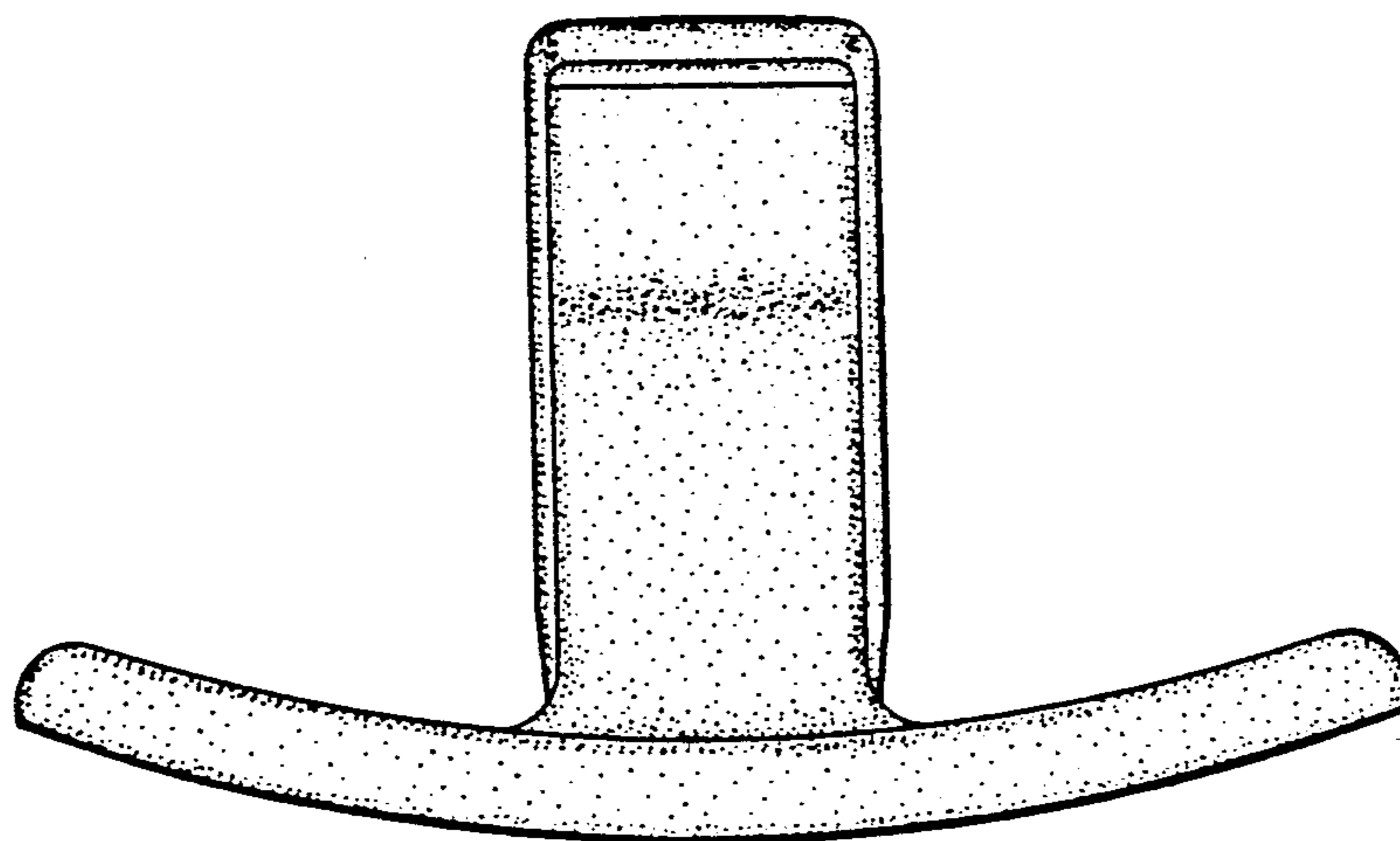


FIG. 3

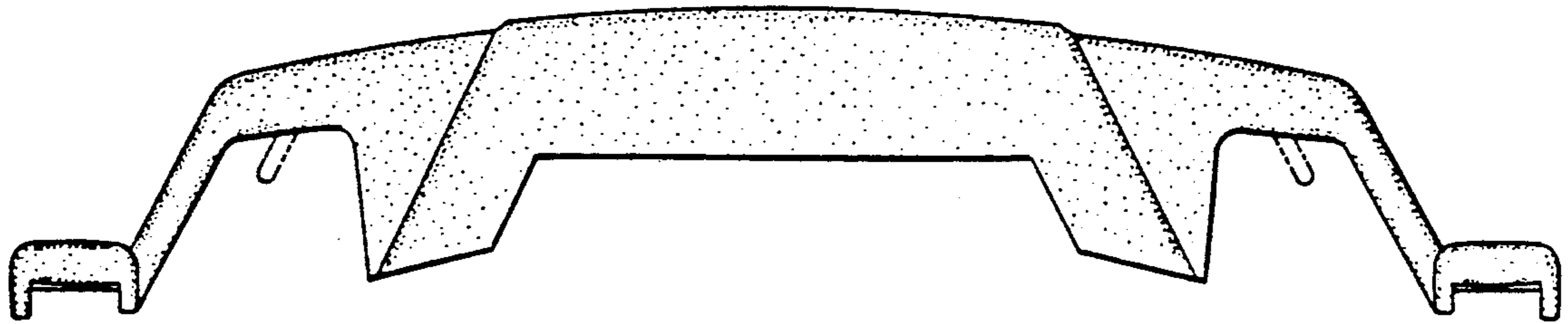


FIG. 4

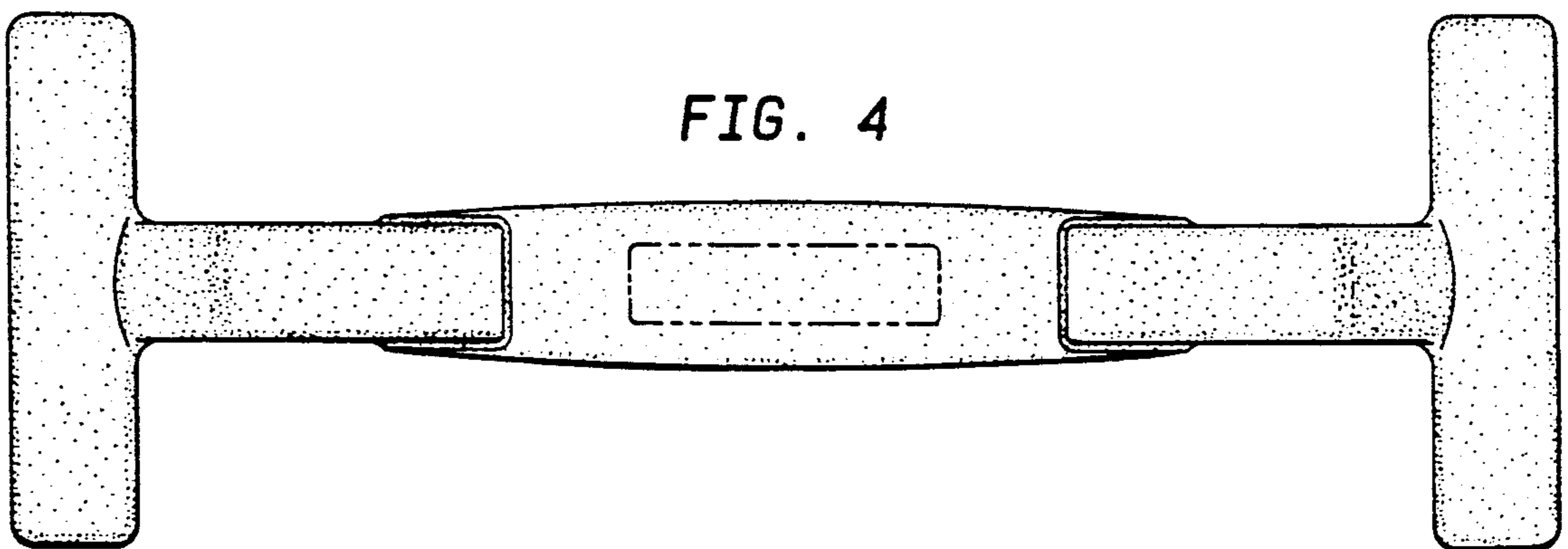


FIG. 5

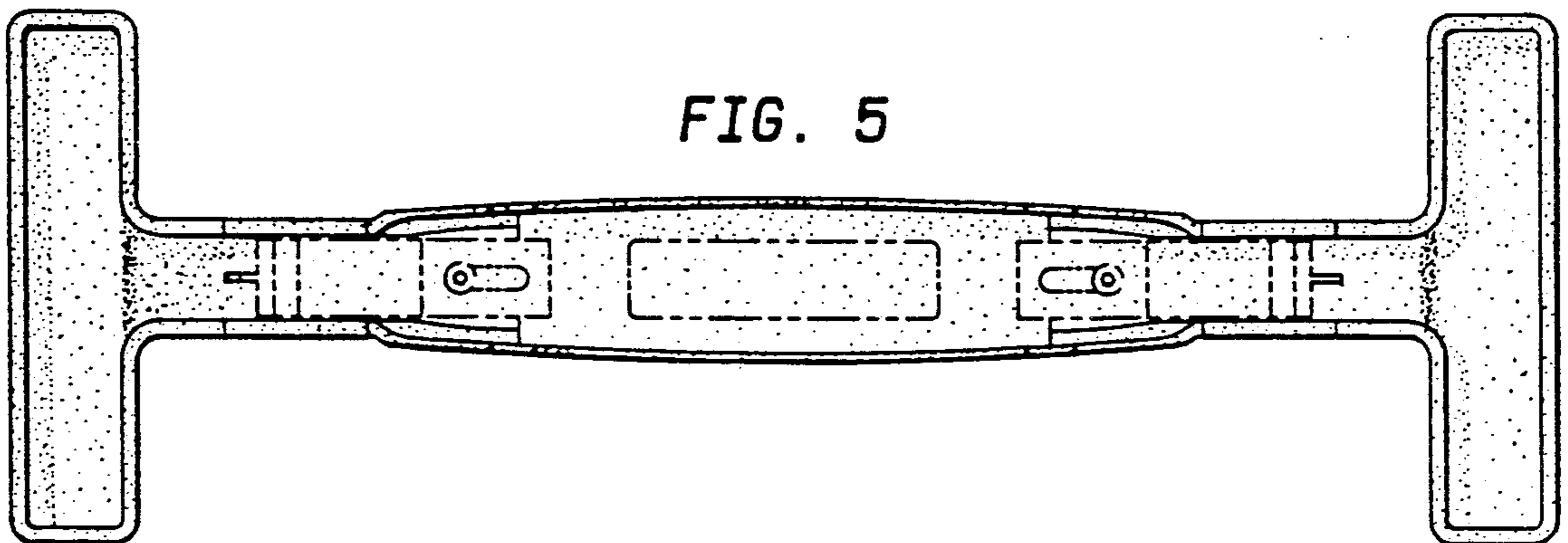


FIG. 6

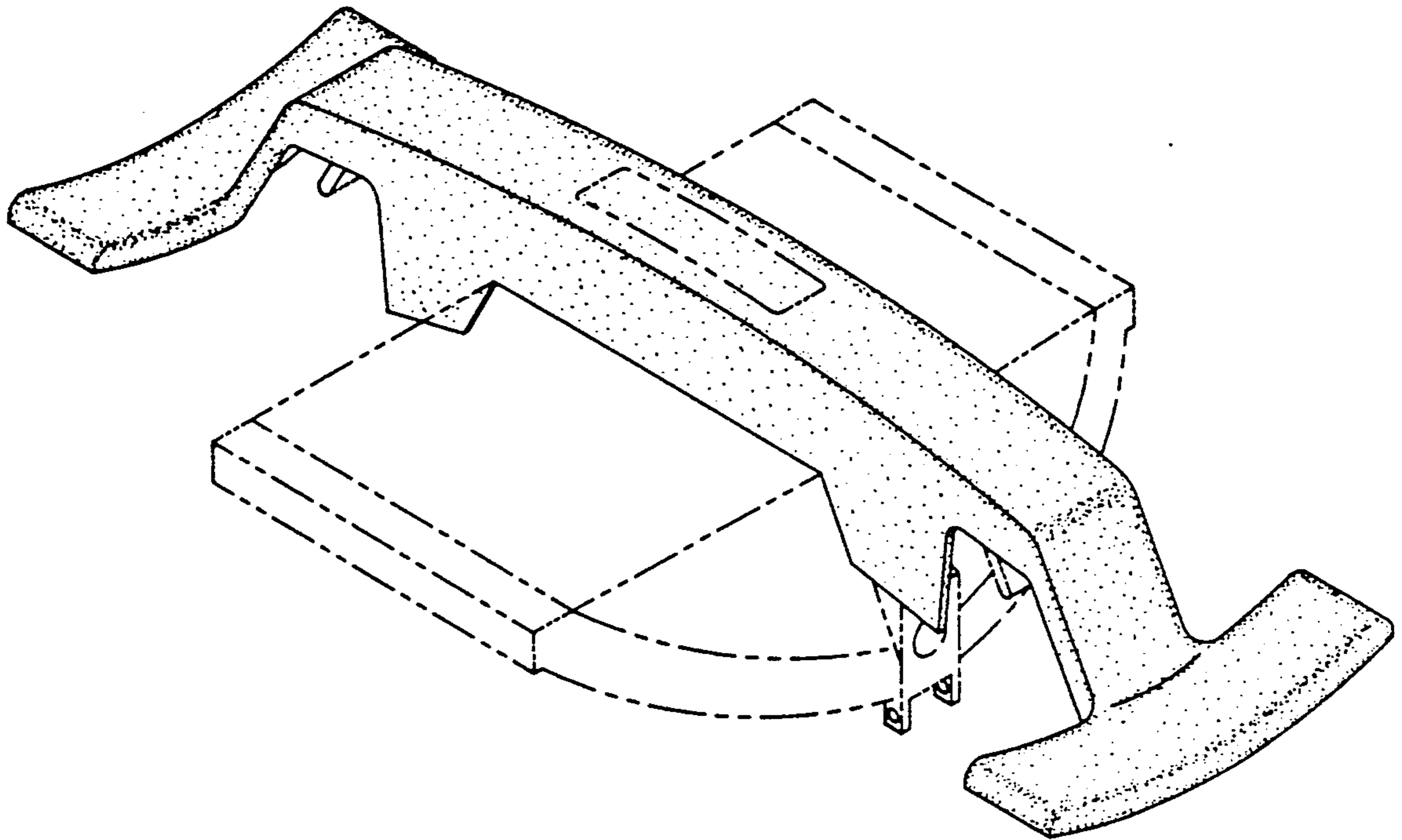


FIG. 7

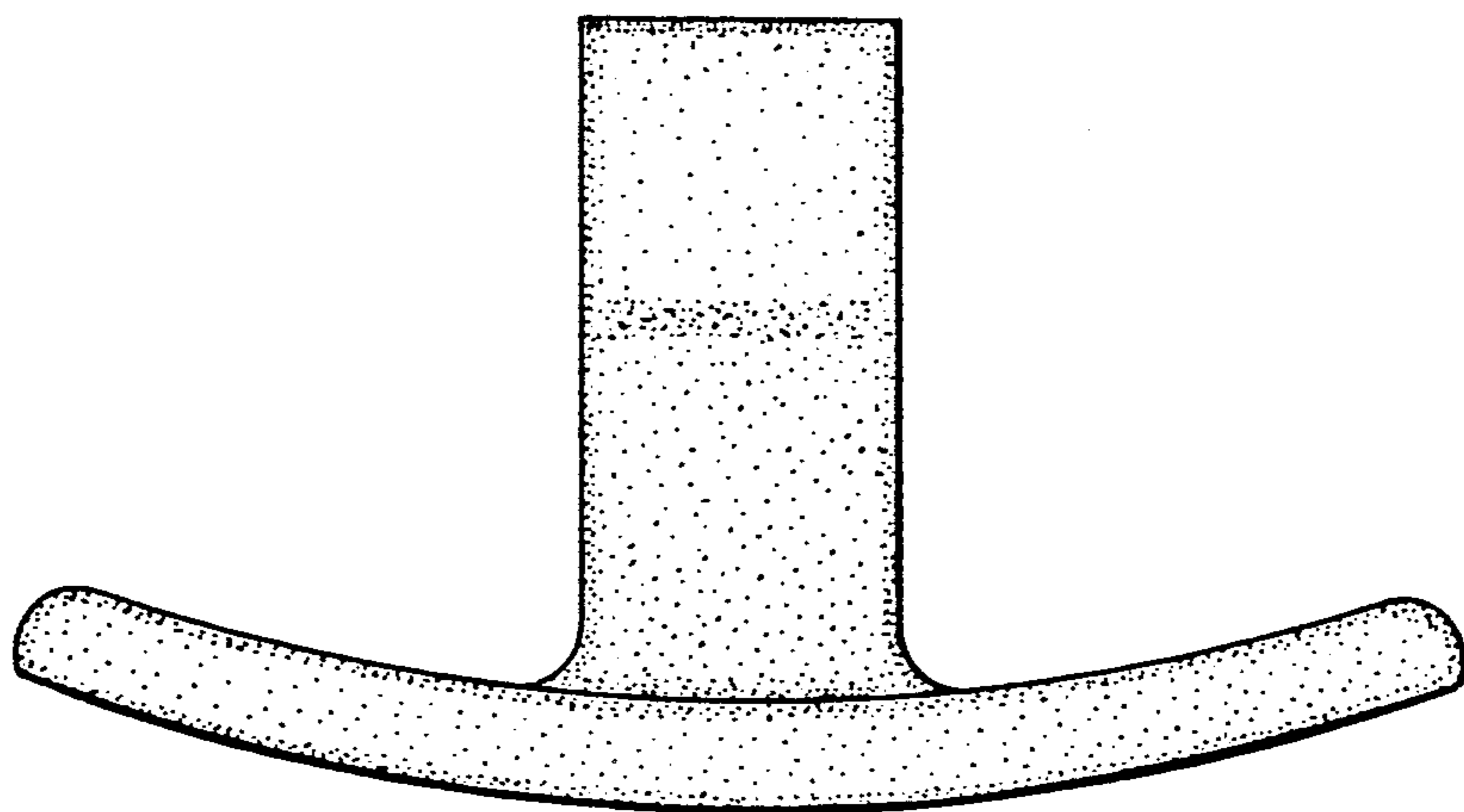


FIG. 8

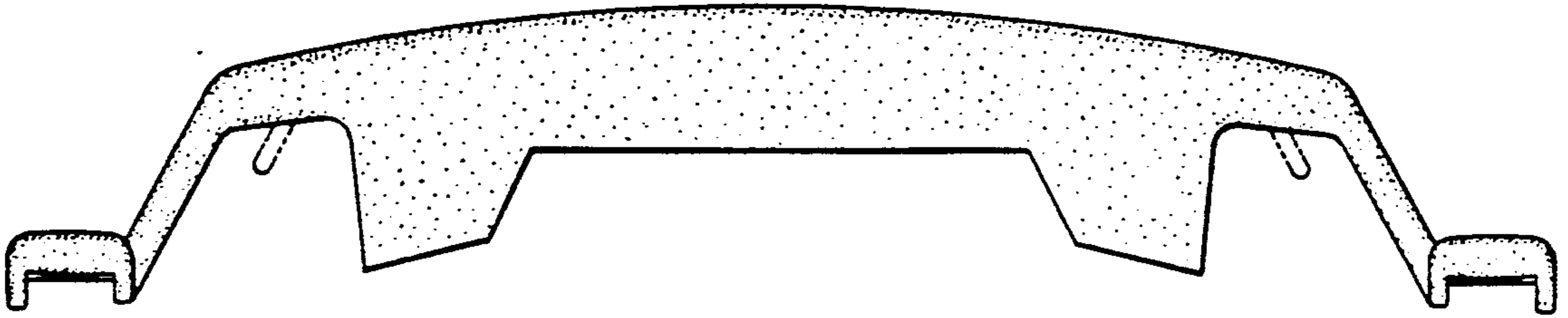


FIG. 9

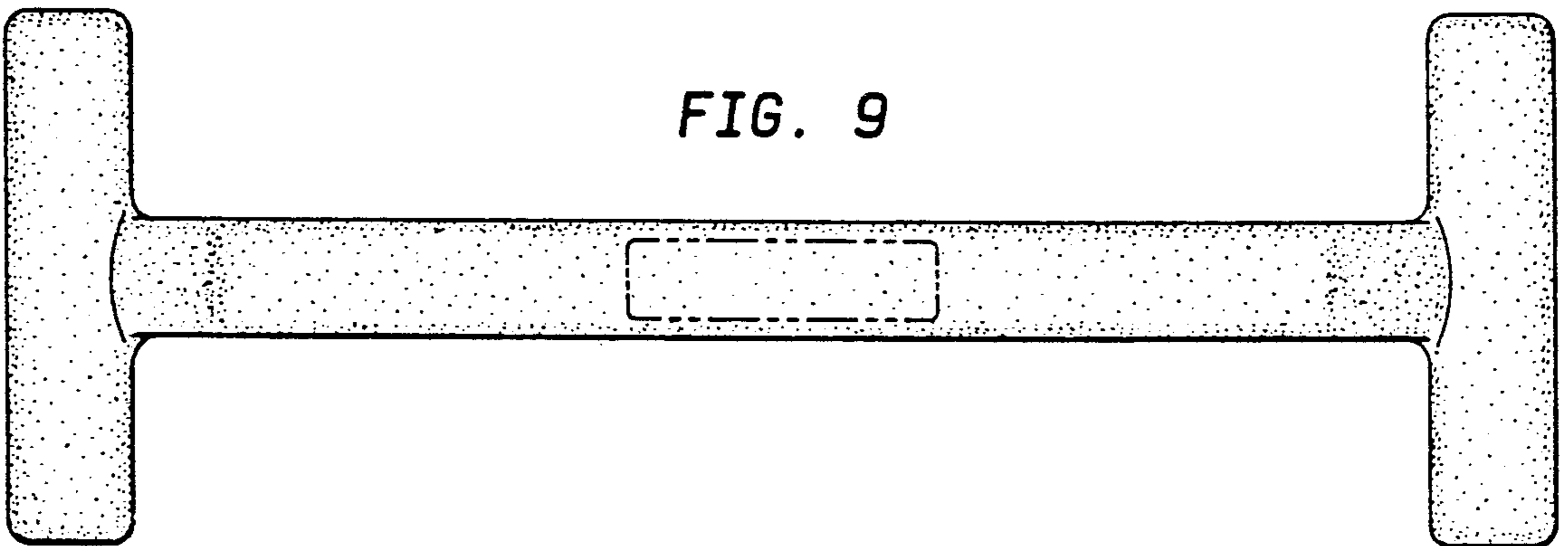


FIG. 10

