

[54] ADJUSTABLE TABLE LAMP

[76] Inventor: **Chen Chin-Song**, No. Lin 7, Alley 6,  
Lane 180, Pin Chiang St., Taipei,  
Taiwan

[\*\*] Term: **14 Years**

[21] Appl. No.: **501,631**

[22] Filed: **Mar. 29, 1990**

[52] U.S. Cl. .... **D26/65**

[58] Field of Search ..... **D26/60-66;**  
**362/410-414, 418, 419, 428, 269, 275, 287, 401,**  
**402**

[56] **References Cited**

**U.S. PATENT DOCUMENTS**

3,789,213 1/1974 Sonneman ..... 362/401  
4,772,991 9/1988 Wood ..... 362/427 X  
4,892,278 1/1990 Huang ..... 362/427 X

**OTHER PUBLICATIONS**

B. A. Pargh Summer/Spring Catalog, 1985, p. 115,  
"Mascot" Desk Lamp.

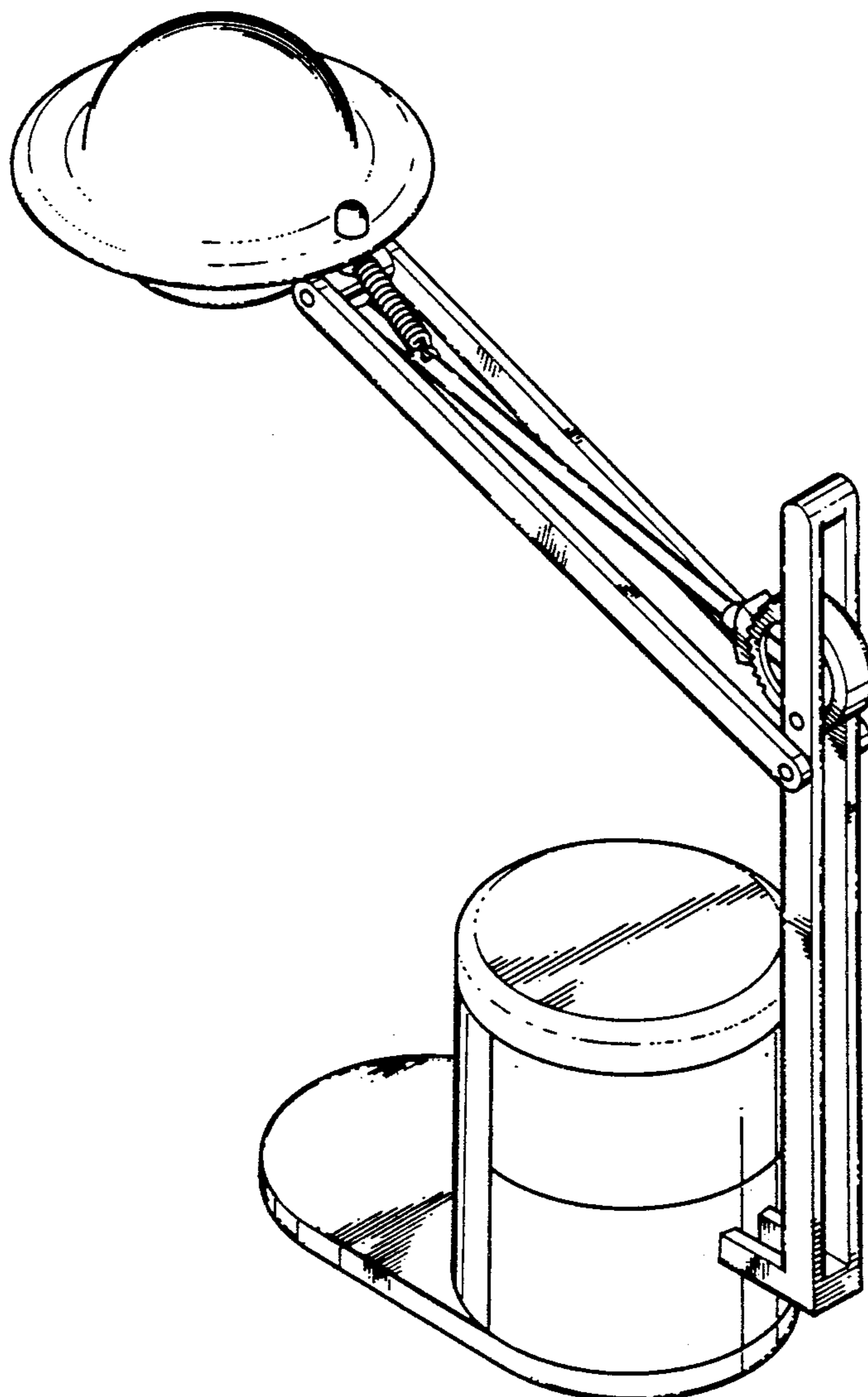
*Primary Examiner*—Susan J. Lucas  
*Attorney, Agent, or Firm*—Lowe, Price, LeBlanc &  
Becker

[57] **CLAIM**

The ornamental design for an adjustable table lamp, as  
shown and described.

**DESCRIPTION**

FIG. 1 is a perspective view of an adjustable table lamp  
showing my design;  
FIG. 2 is a front elevational view thereof;  
FIG. 3 is a rear elevational view thereof;  
FIG. 4 is a left side elevational view thereof; and  
FIG. 5 is a right side elevational view thereof.  
FIG. 6 is a top plan view thereof;  
FIG. 7 is a bottom plan view thereof.



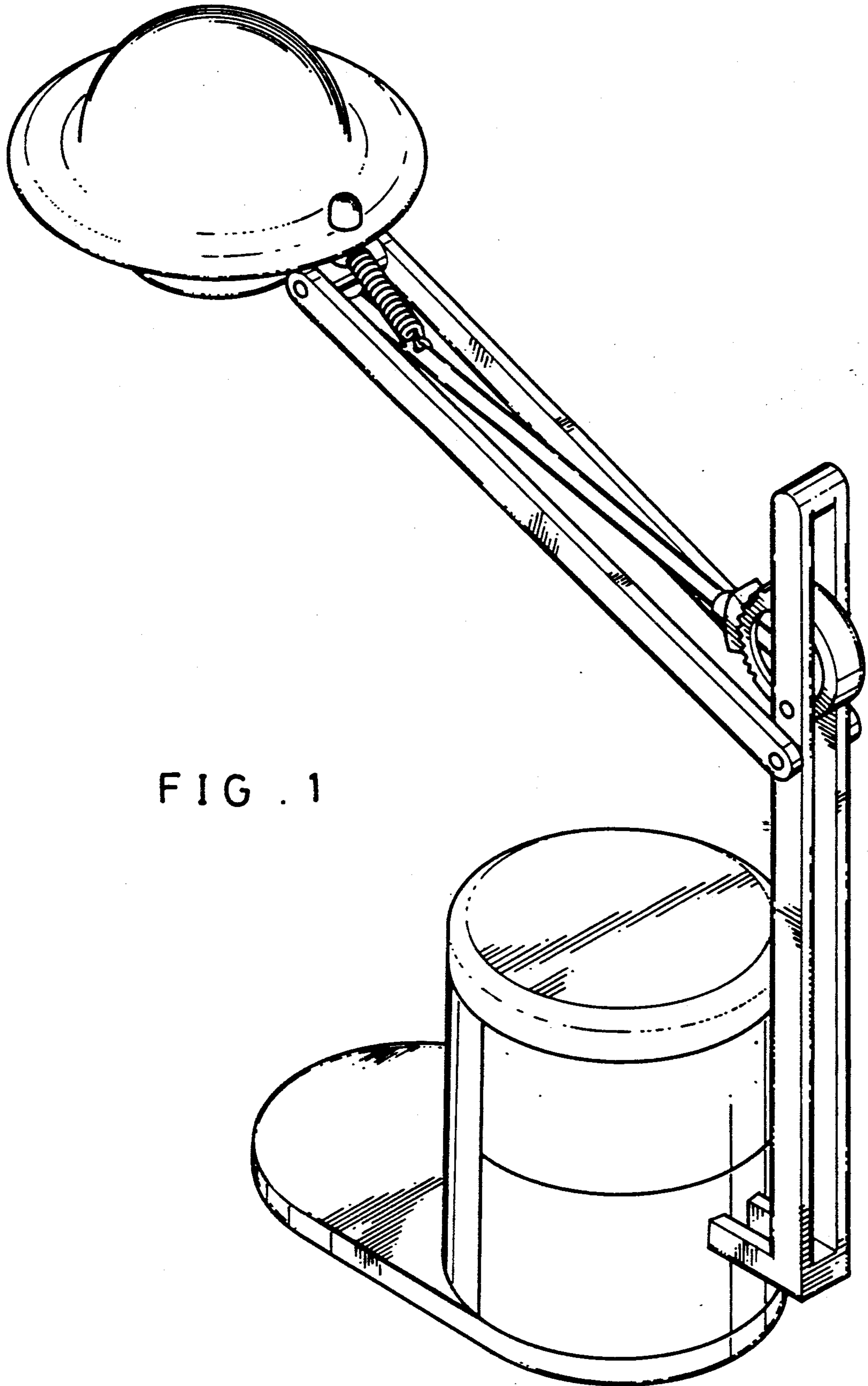


FIG. 1

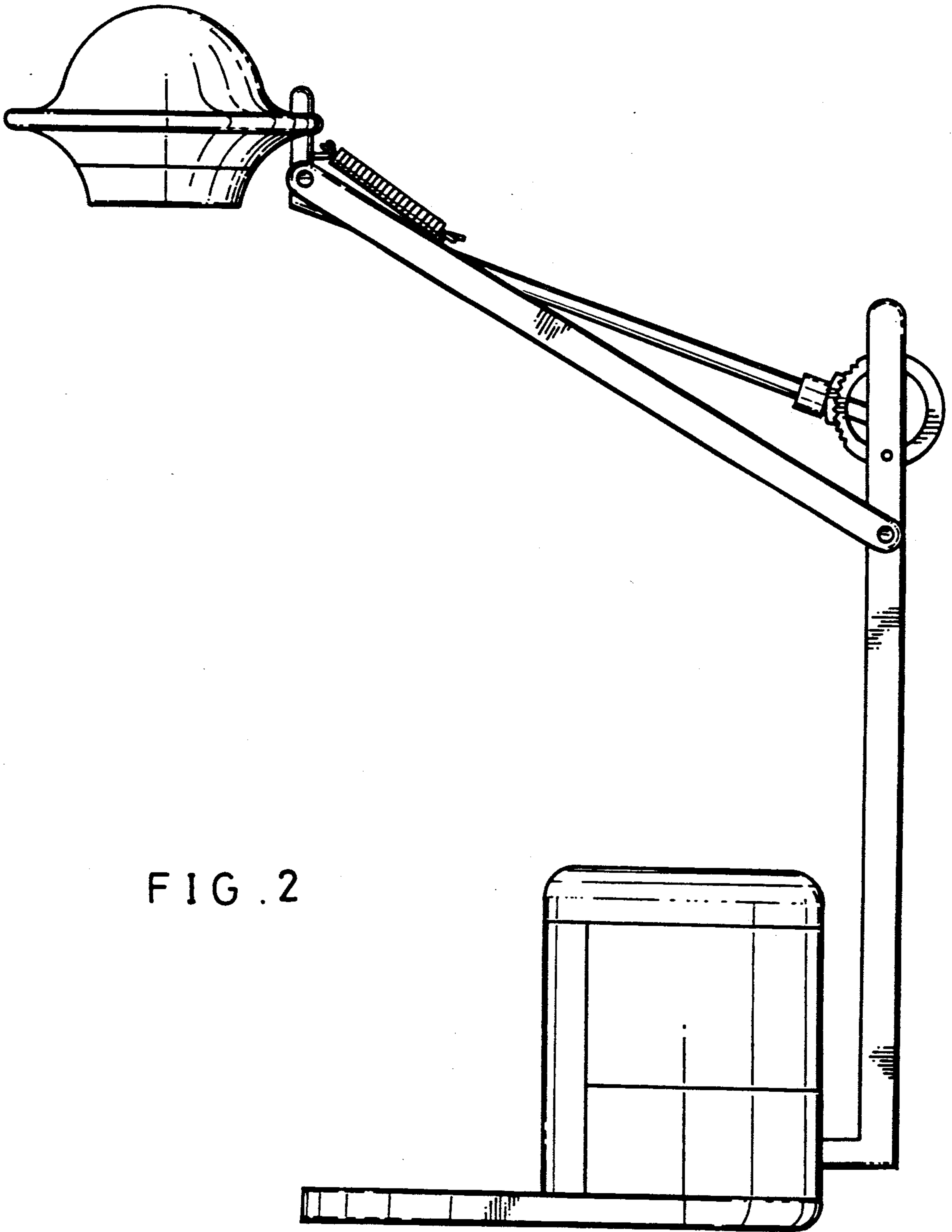


FIG. 2

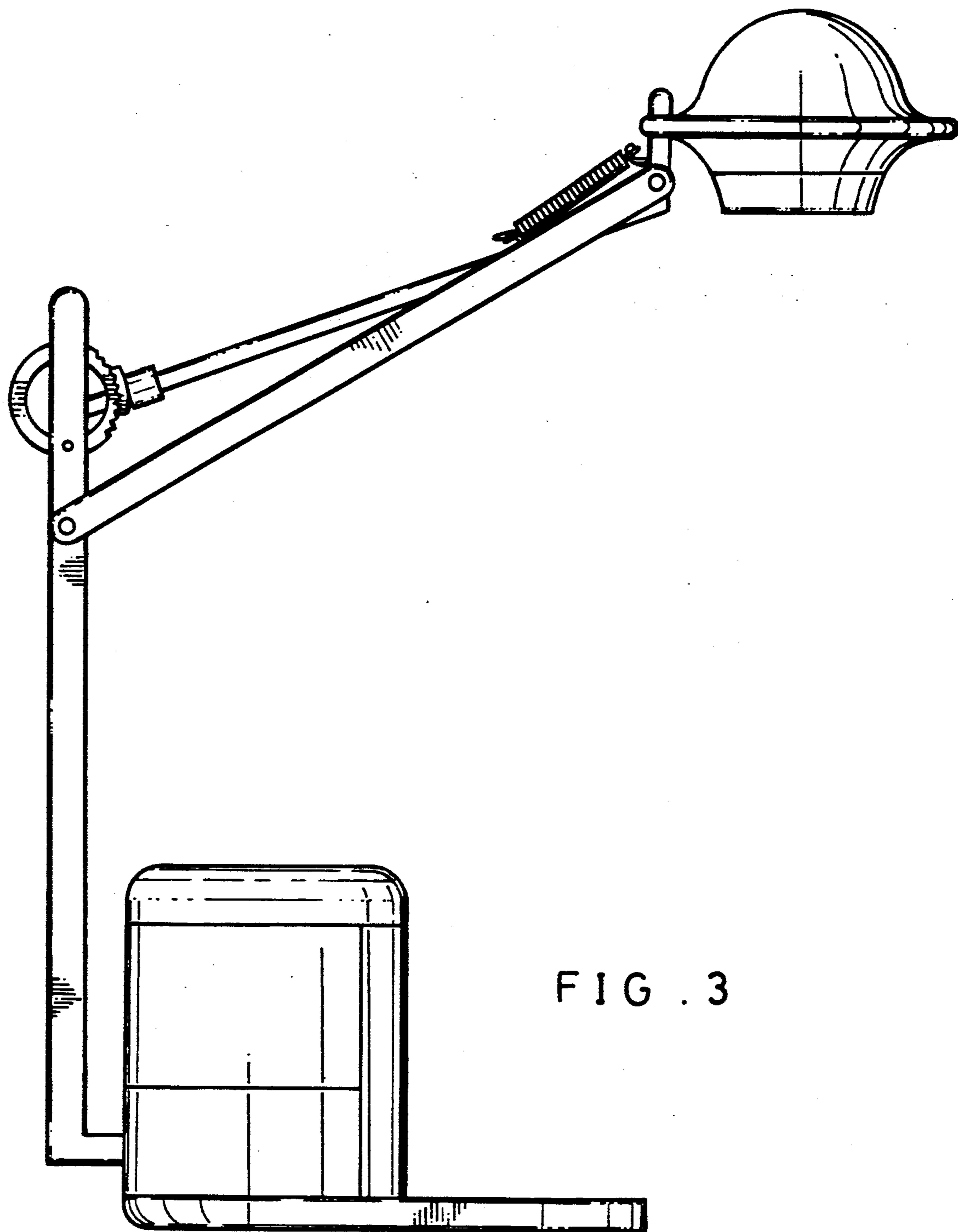


FIG. 3

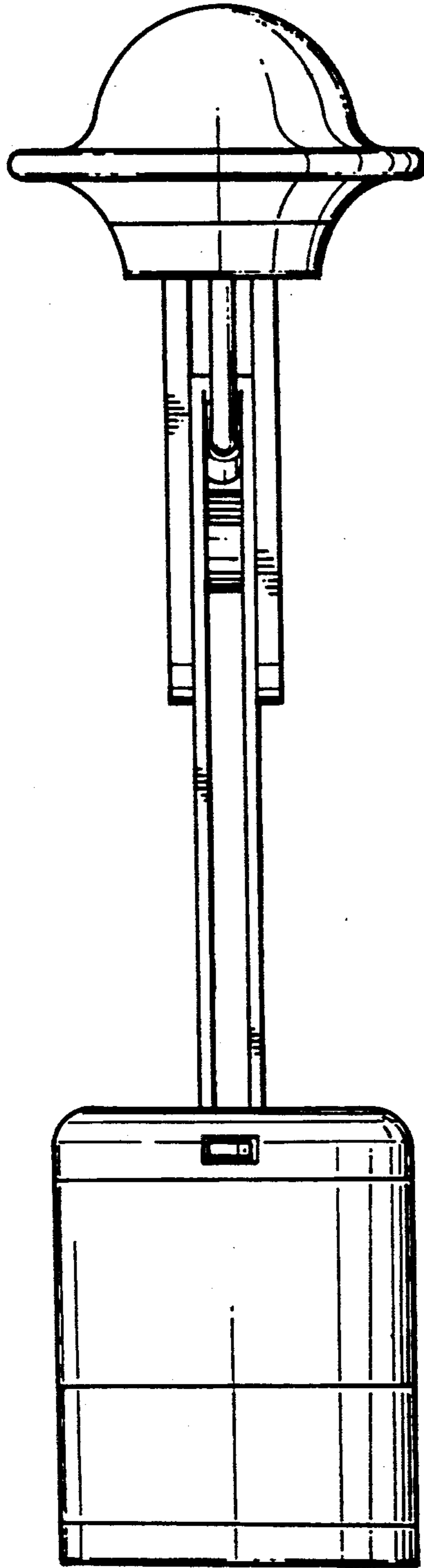


FIG .4

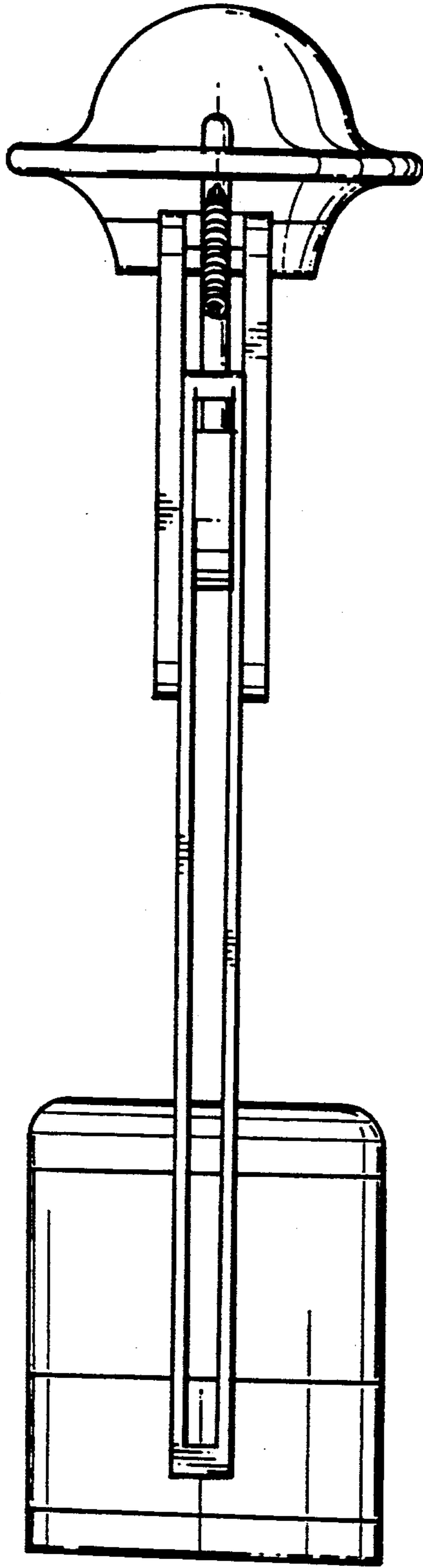


FIG. 5

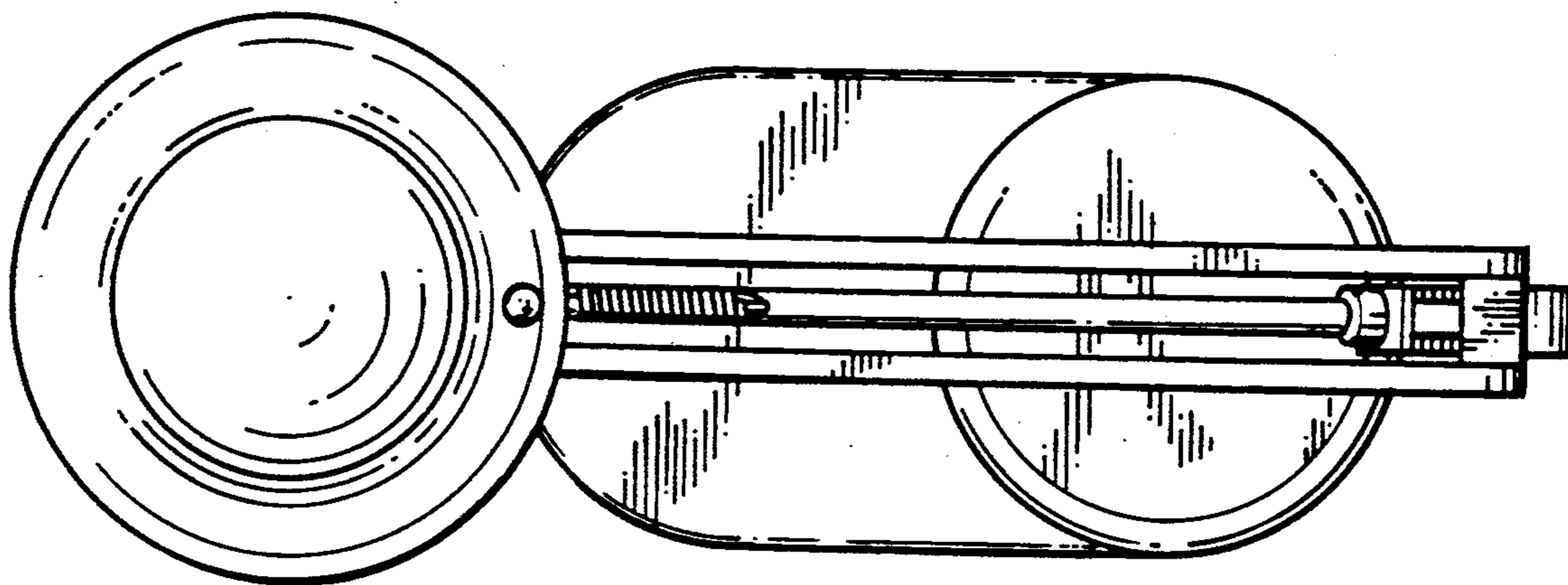


FIG. 6

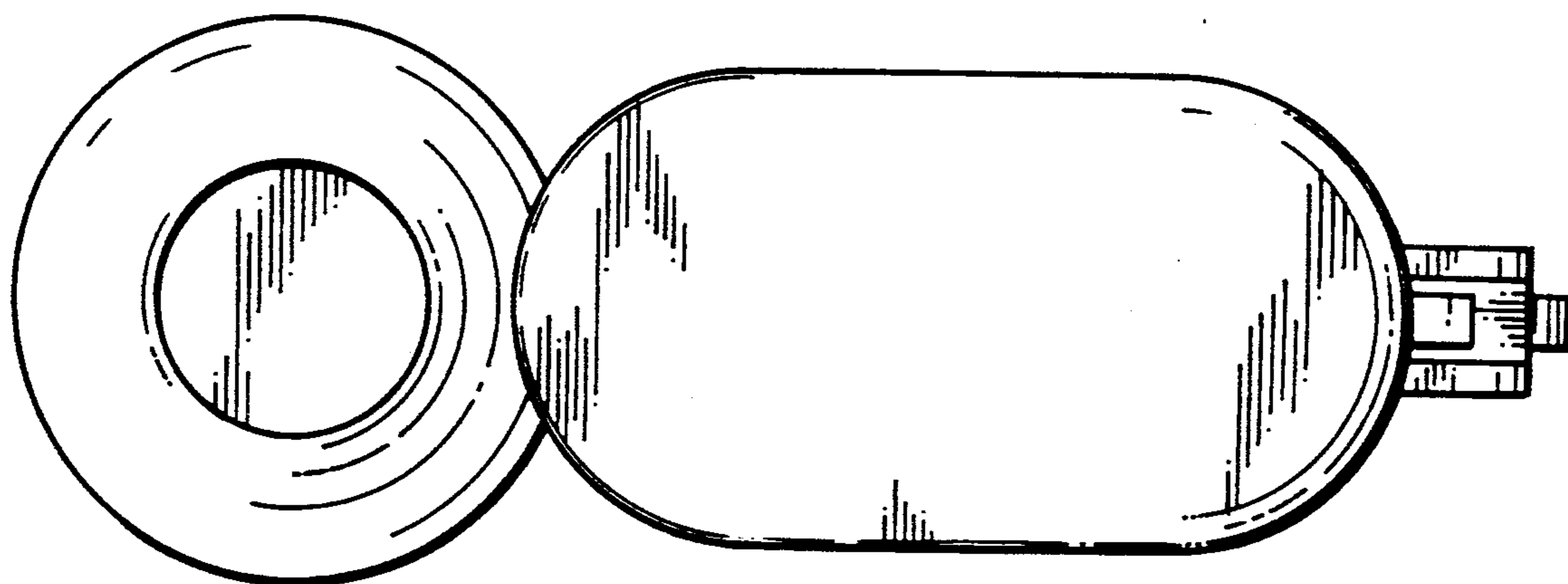


FIG. 7