

[54] **FLASHLIGHT**
[75] **Inventor: Shintaro Tsuji, Tokyo, Japan**
[73] **Assignee: Sanrio Company, Ltd., Tokyo, Japan**
[**] **Term: 14 Years**
[21] **Appl. No.: 229,027**
[22] **Filed: Aug. 5, 1988**
[52] **U.S. Cl. D26/47**
[58] **Field of Search D26/37-50;**
362/157-158, 183-200, 806; D21/76; D12/7,
9-11, 107, 110, 114; 180/219, 220

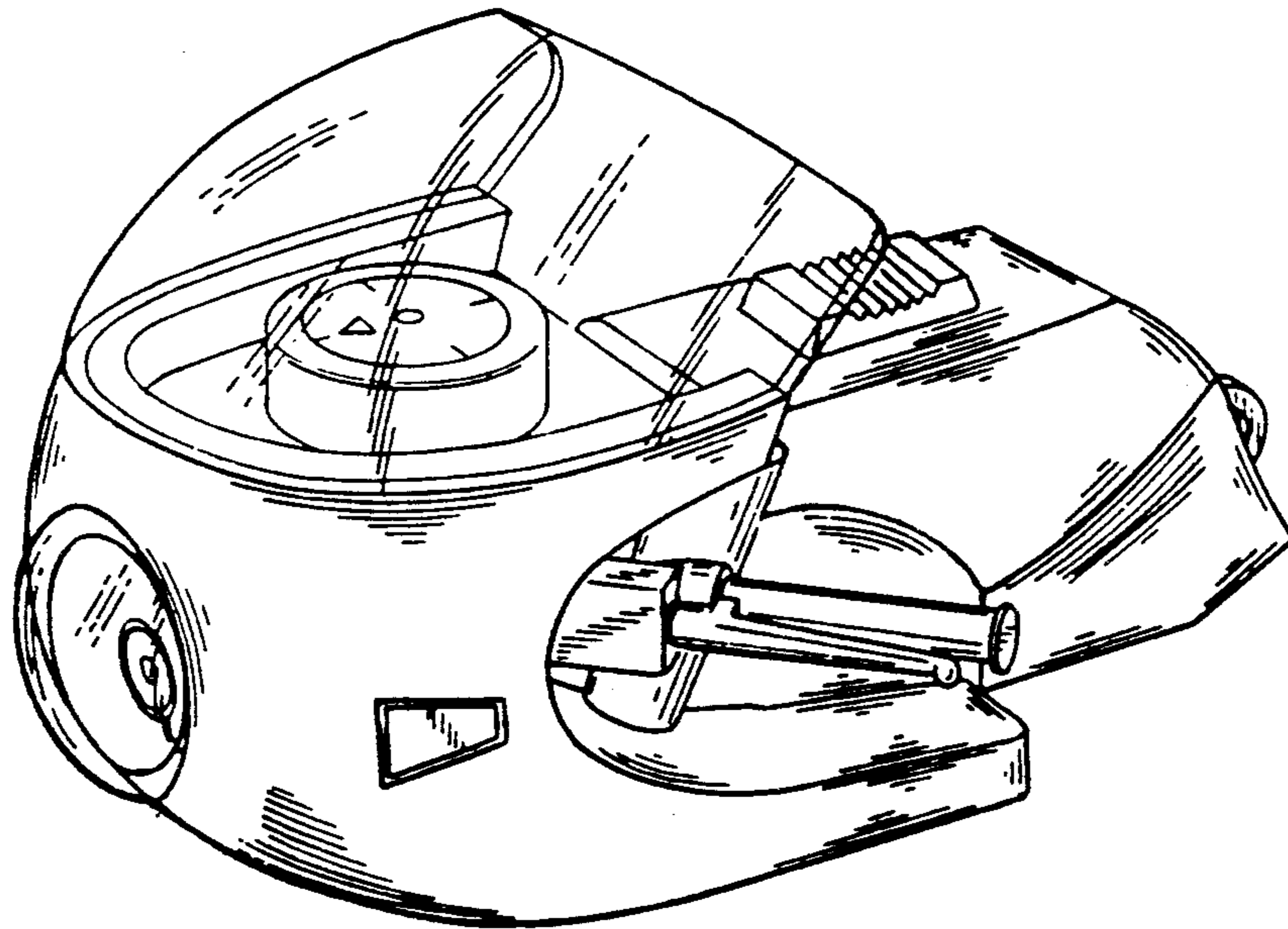
[56] **References Cited**
U.S. PATENT DOCUMENTS
D. 268,772 4/1983 Hanzawa D12/110 X
D. 281,796 12/1985 Shimomura D12/110 X

D. 287,058 12/1986 Silverman D26/47

Primary Examiner—Susan J. Lucas
Assistant Examiner—M. H. Tung
Attorney, Agent, or Firm—Owen, Wickersham & Erickson

[57] **CLAIM**
The ornamental design for a flashlight, as shown.

DESCRIPTION
FIG. 1 is a front, top perspective view of a flashlight showing my new design;
FIG. 2 is a side elevational view thereof, the other side being a mirror image;
FIG. 3 is a front elevational view thereof;
FIG. 4 is a top plan view thereof;
FIG. 5 is a bottom plan view thereof;
FIG. 6 is a rear elevational view thereof.



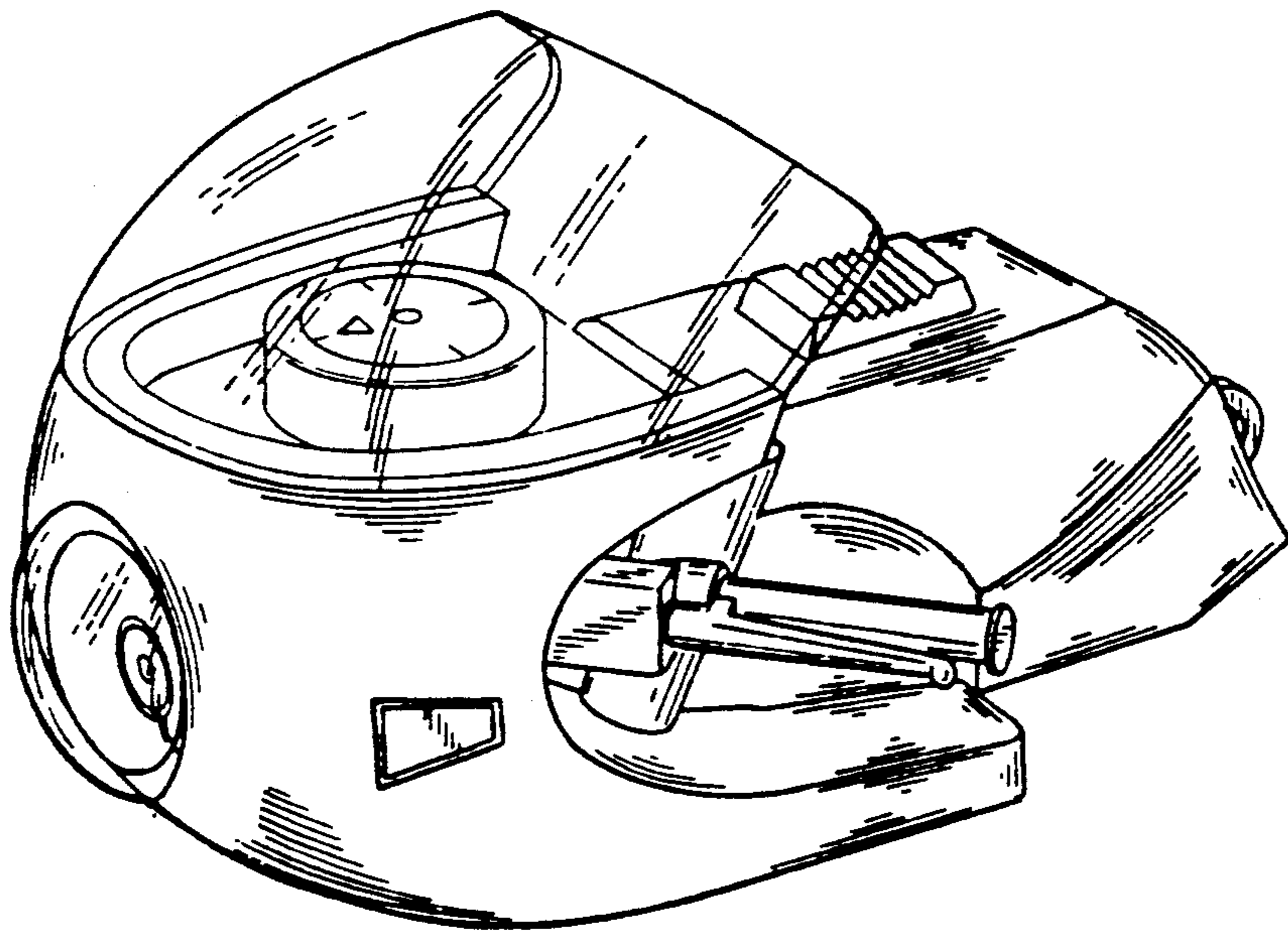


FIG. 1

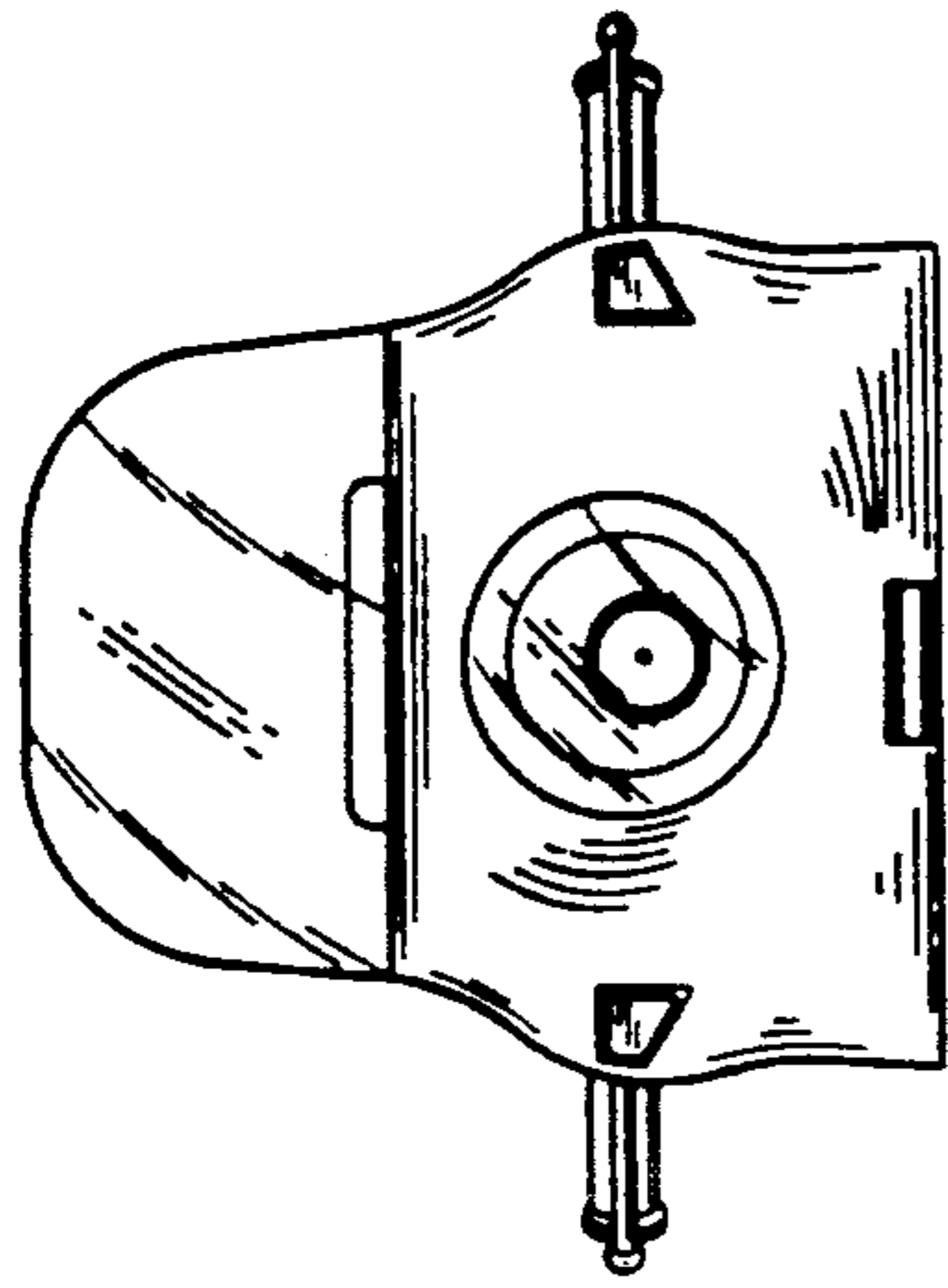


FIG.-3

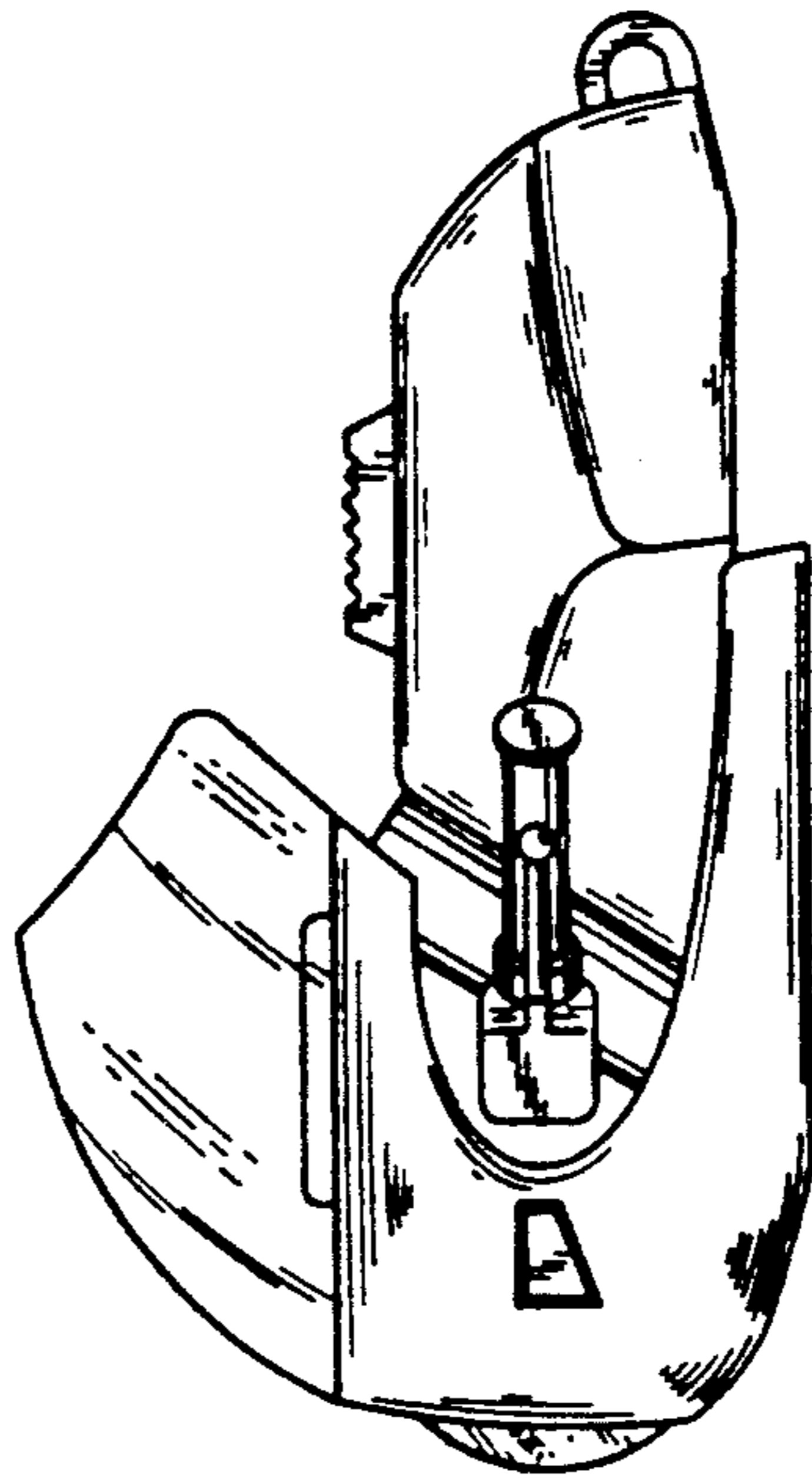


FIG.-2

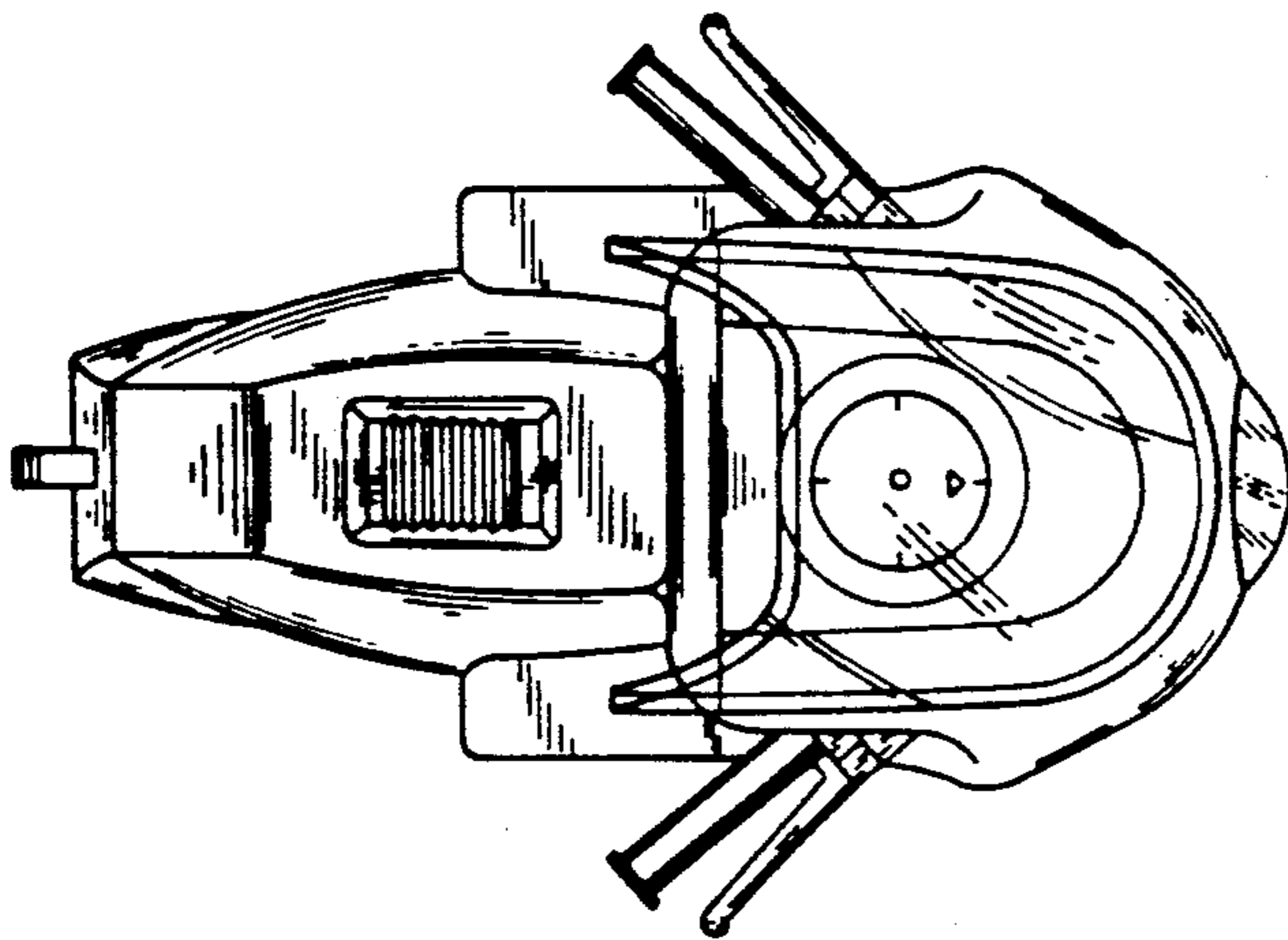


FIG.-4

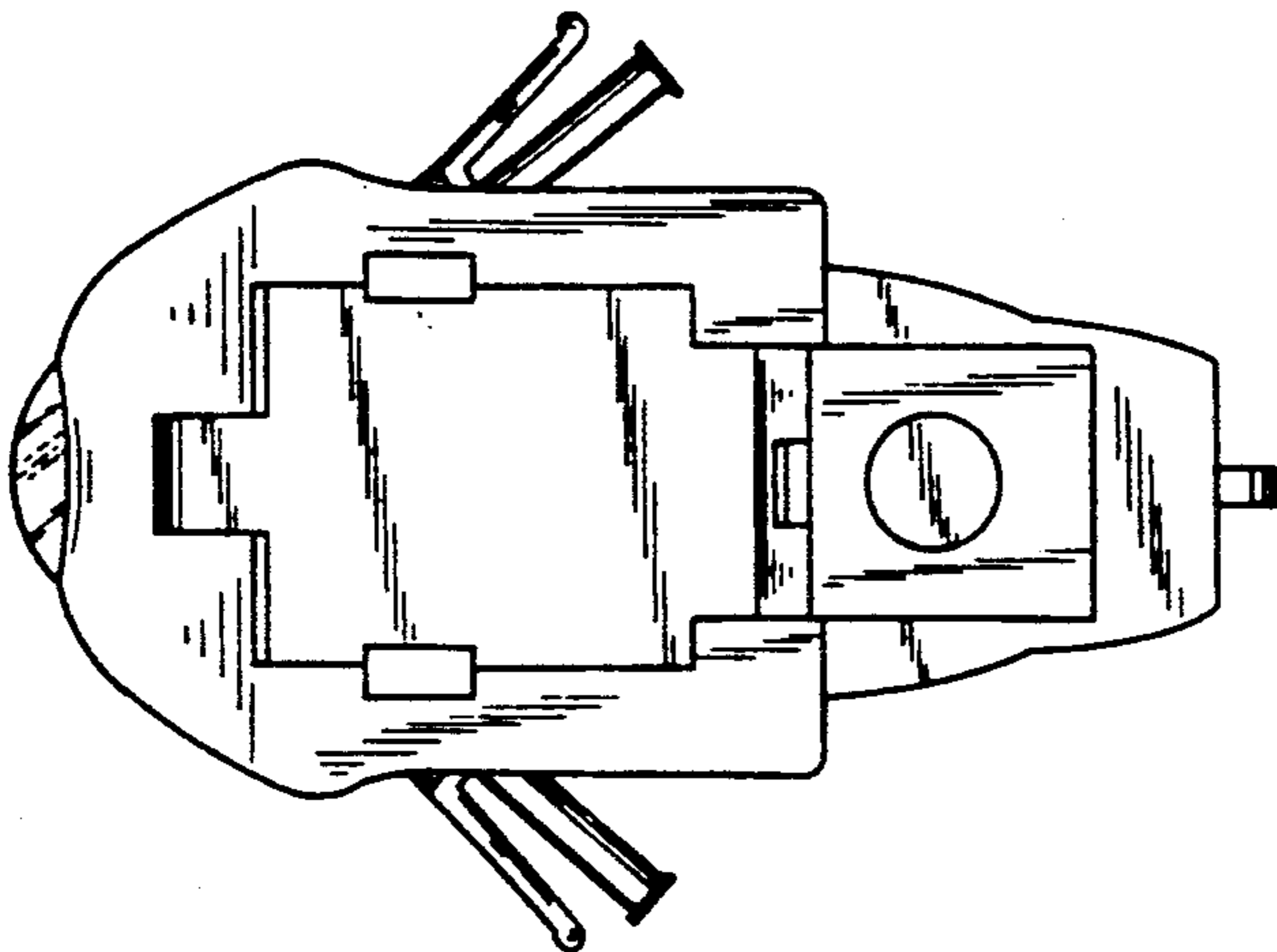


FIG.-5

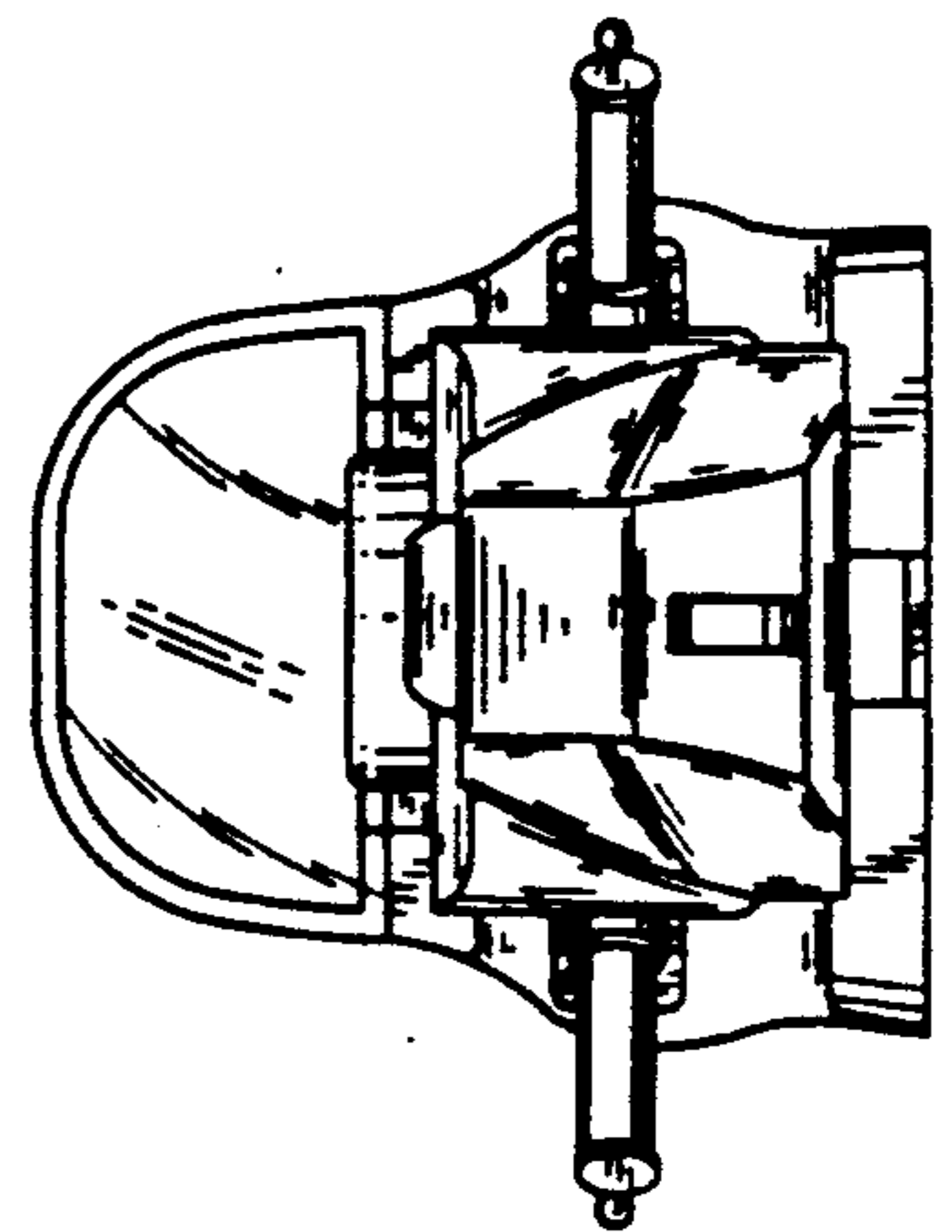


FIG.-6