

[54] INFANT MEDICAL HOOD

[75] Inventor: Robert L. Orr, San Clemente, Calif.

[73] Assignee: Viratek Inc., Costa Mesa, Calif.

[**] Term: 14 Years

[21] Appl. No.: 385,904

[22] Filed: Jul. 26, 1989

[52] U.S. Cl. D24/164

[58] Field of Search D24/164, 163;
128/205.26, 204.18, 200.24, 202.12, 204.17,
201.25

[56] References Cited

U.S. PATENT DOCUMENTS

D. 247,720	4/1978	Wilhelm	D24/164
D. 255,833	7/1980	Crandall	D24/164
D. 262,653	1/1982	Koh	D24/164 X
D. 269,369	6/1983	Koh	D24/164
2,418,473	1/1947	Lambersten et al.	.	
2,891,542	1/1959	Pentecost	.	
3,000,379	9/1961	Viers	128/205.26 X
3,610,716	10/1971	Weinberg et al.	312/236
3,889,670	6/1975	Loveland et al.	128/204
4,003,378	1/1977	Pickering	128/204
4,055,173	10/1977	Knab	128/139

4,181,129	1/1980	Cameto et al.	128/205.26
4,444,183	4/1984	Heckendorn	128/205.26
4,727,871	10/1985	Smargiassi et al.	128/204.17
4,763,664	3/1987	Merilainen	128/718

OTHER PUBLICATIONS

Product literature for "Mist Hut", Peace Medical.
Product literature for "Olympic Oxyhood", Olympic Medical.
Product literature for "Mistogen Infantent", The Time-ter Group; see Appendix 3 of Exhibit A of Declaration of Robert L. Orr.

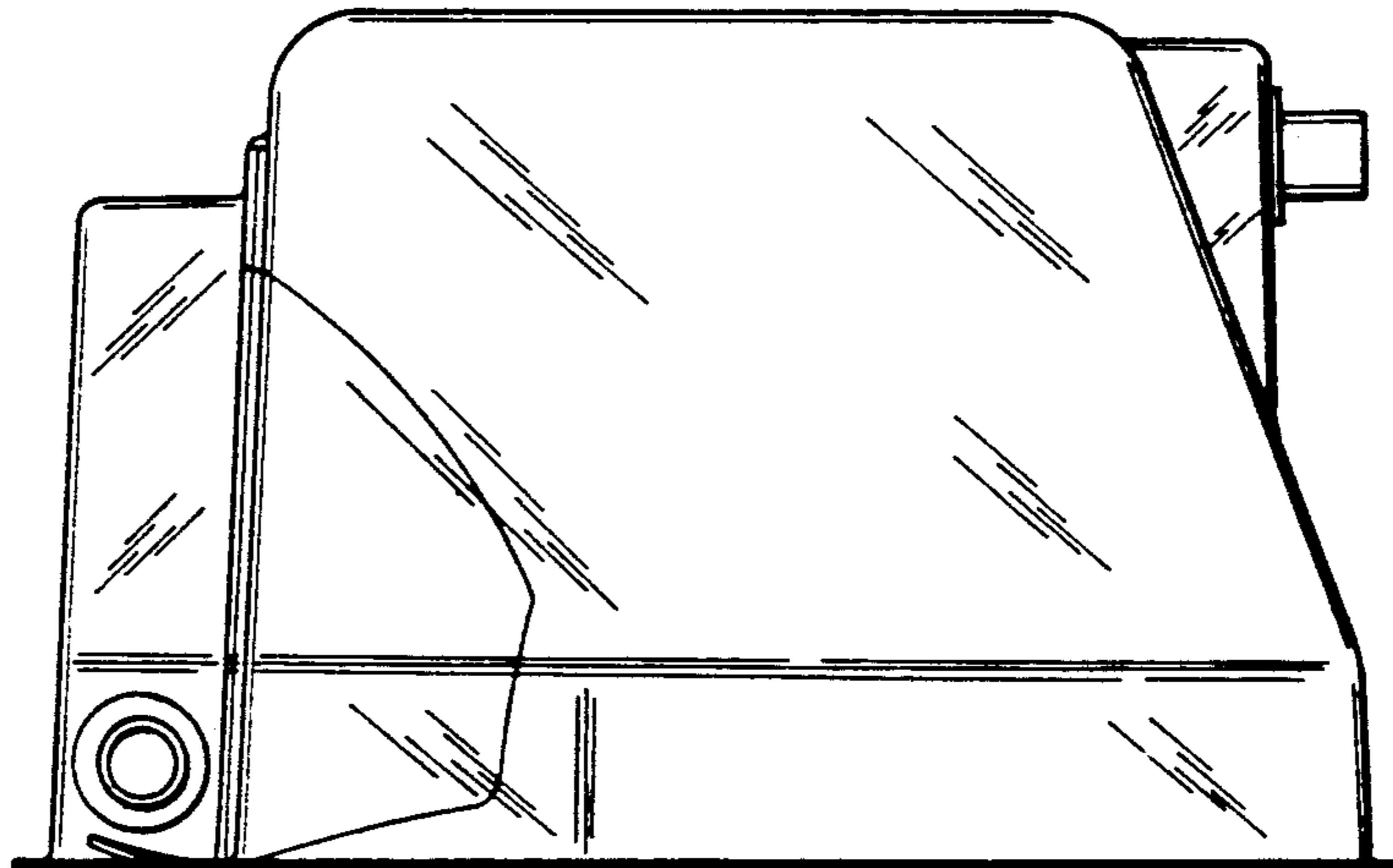
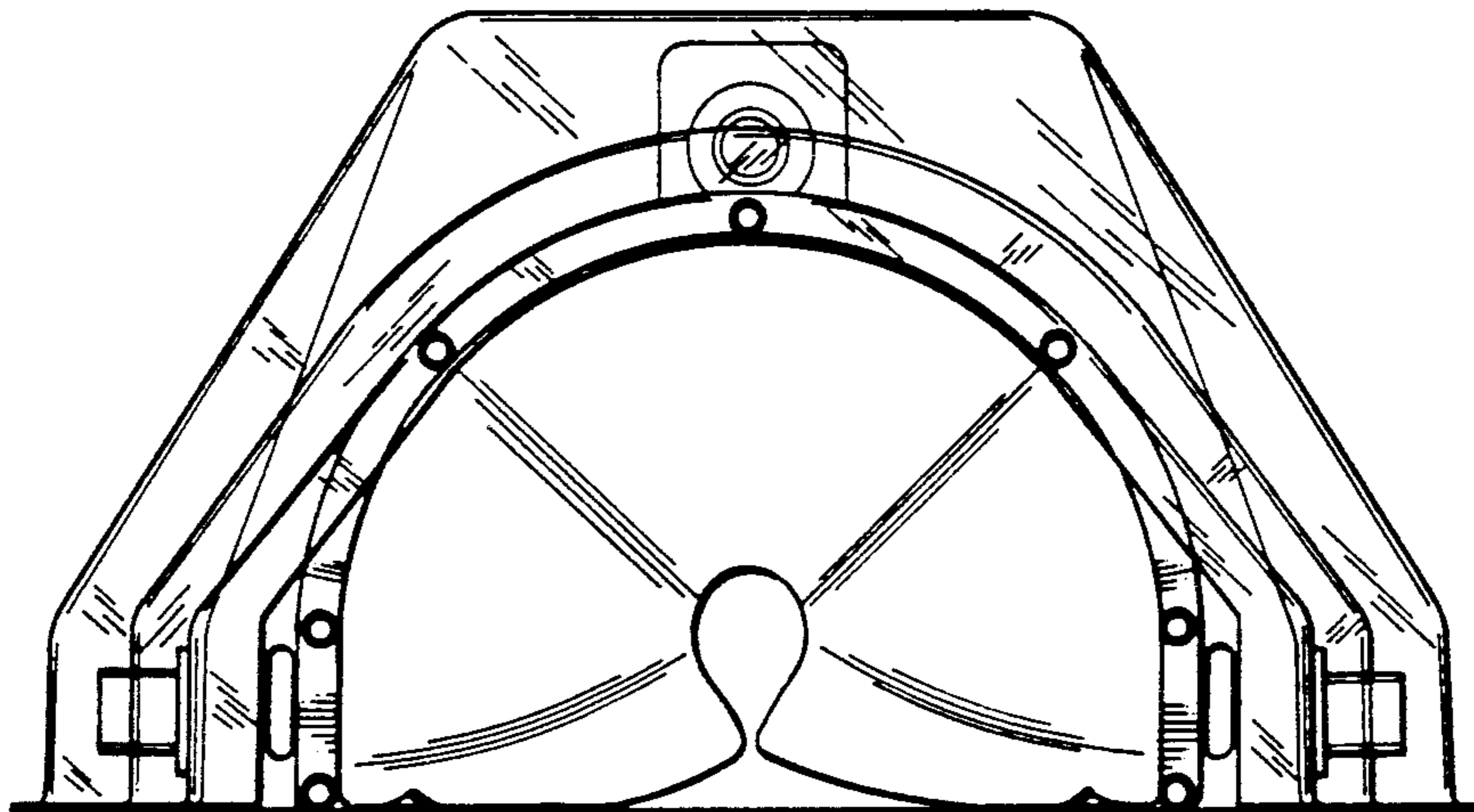
Primary Examiner—Stella Reid
Attorney, Agent, or Firm—Herb Boswell

[57] CLAIM

The ornamental design for an infant medical hood, as shown and described.

DESCRIPTION

FIG. 1 is a front elevational view of my new design for an infant medical hood;
FIG. 2 is a right side elevational view thereof;
FIG. 3 is a top plan view thereof;
FIG. 4 is a back elevational view thereof;
FIG. 5 is a left side elevational view thereof; and
FIG. 6 is a bottom plan view thereof.



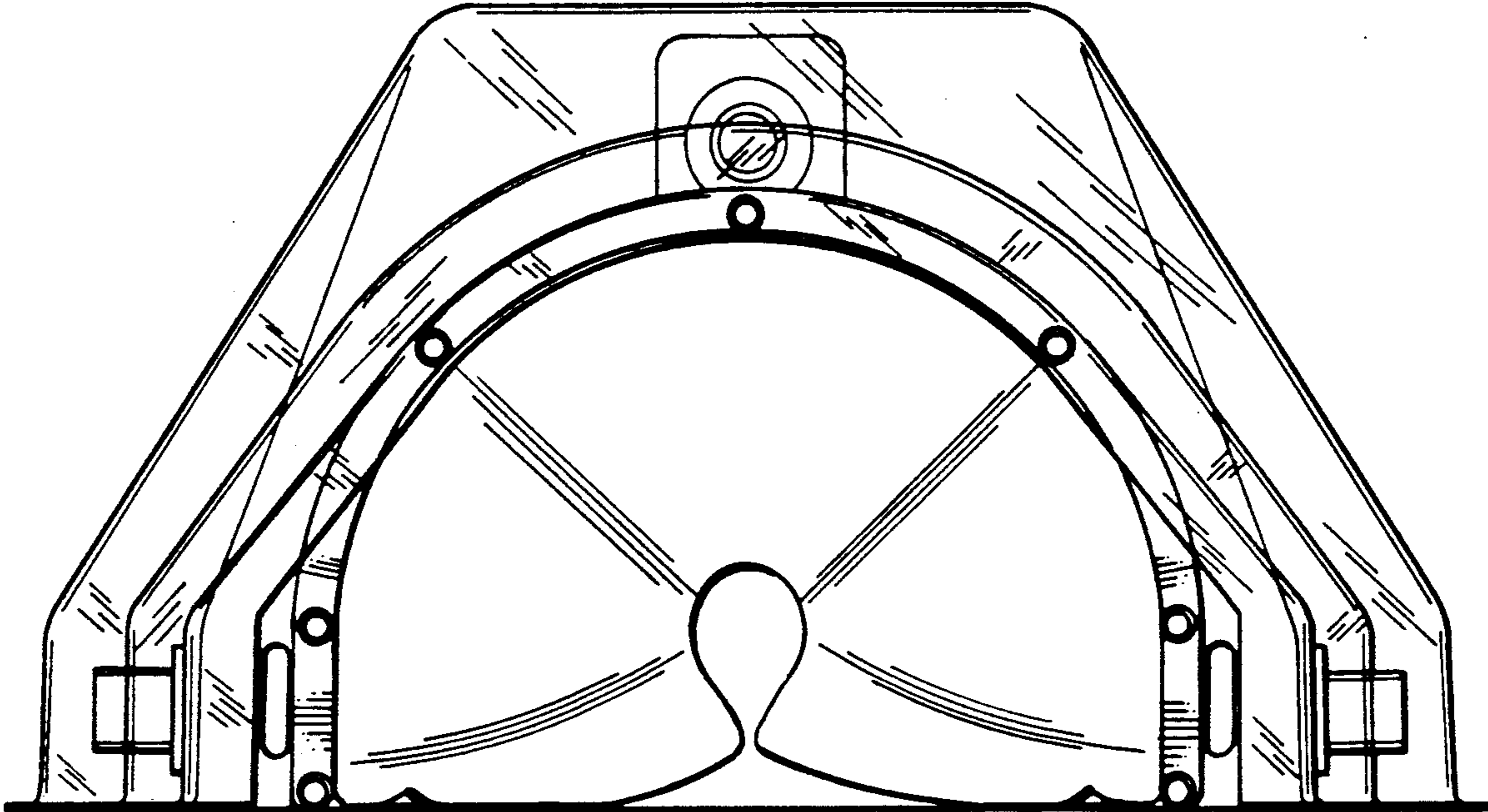


FIG. 1

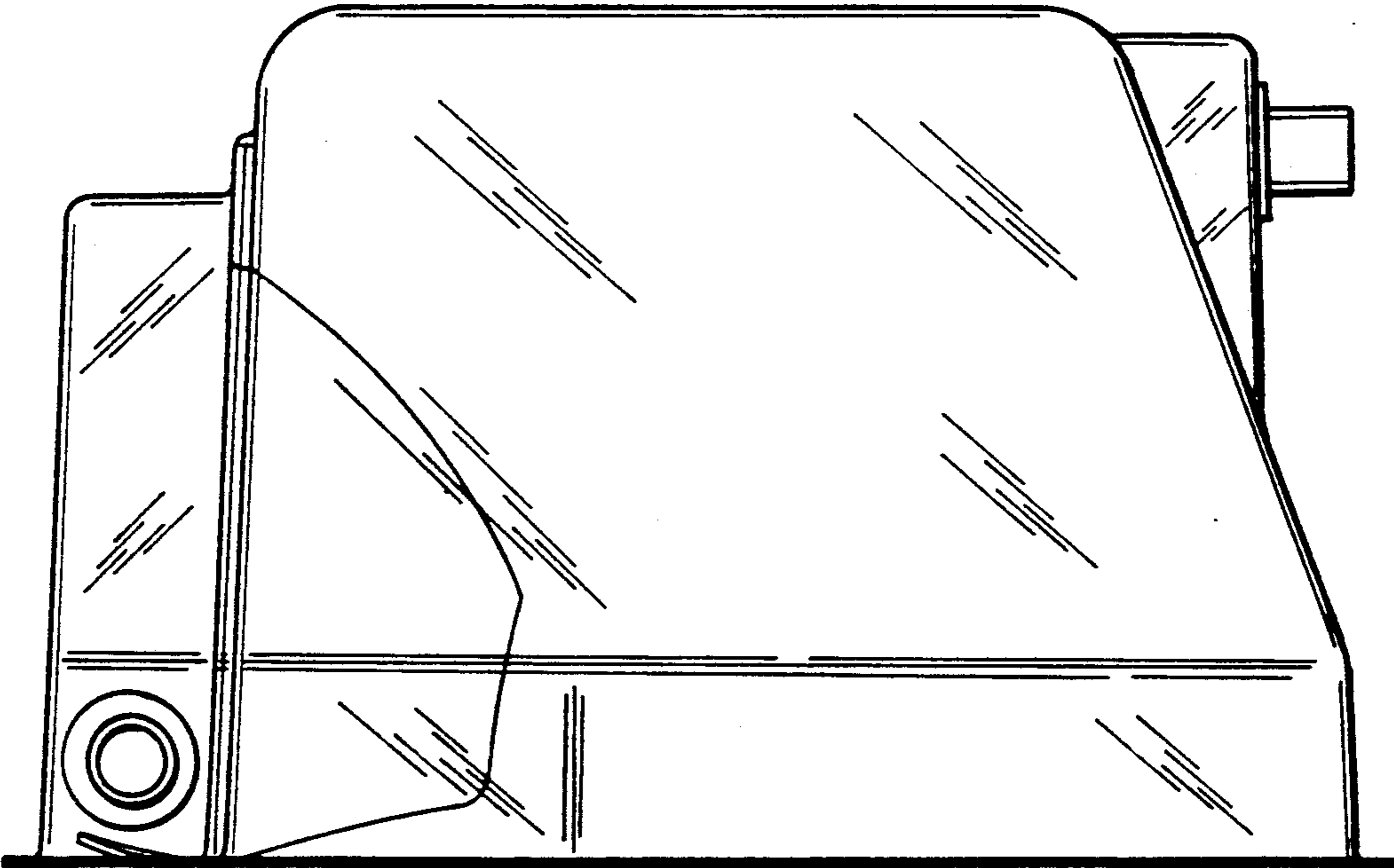
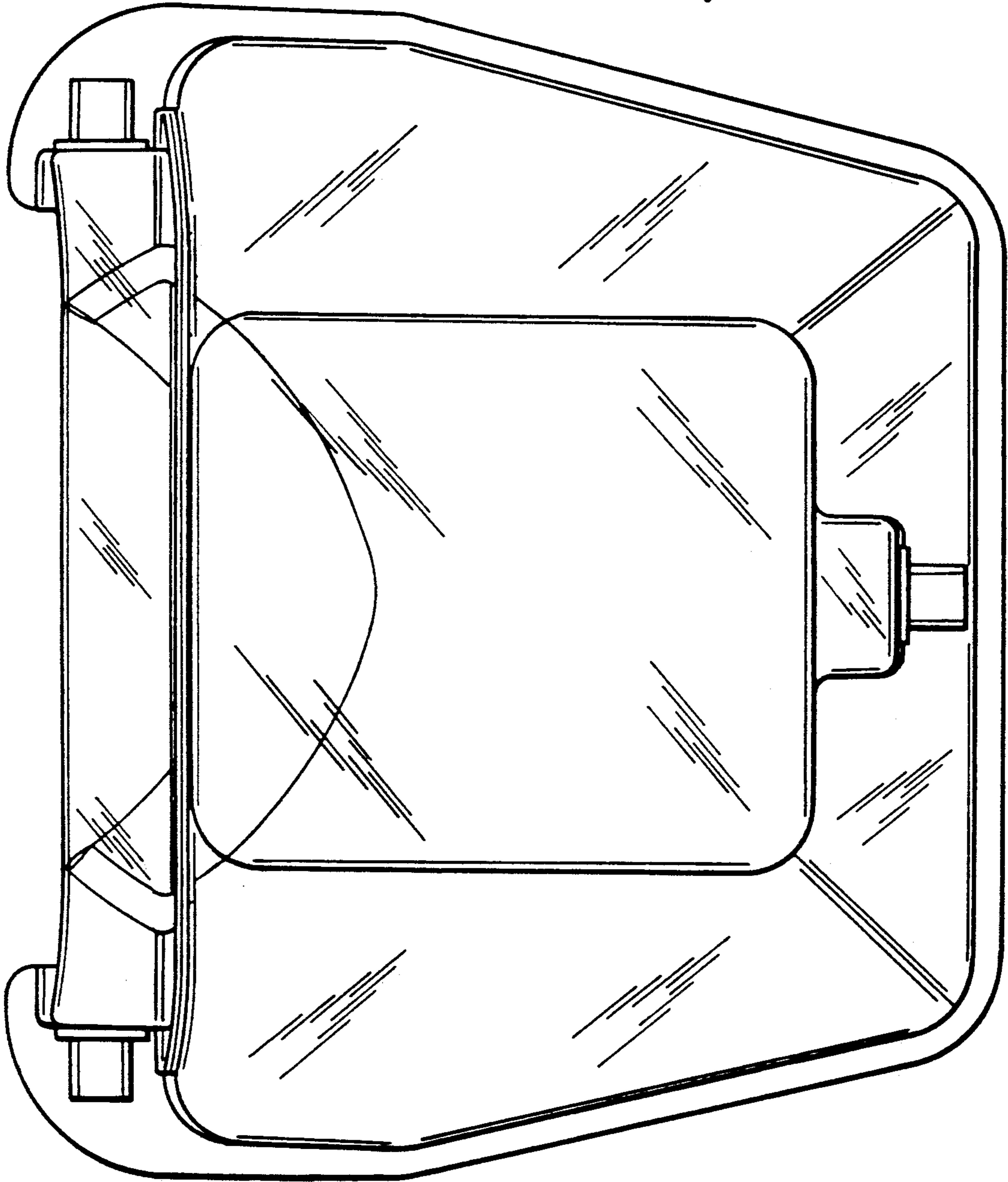


FIG. 2

FIG. 3



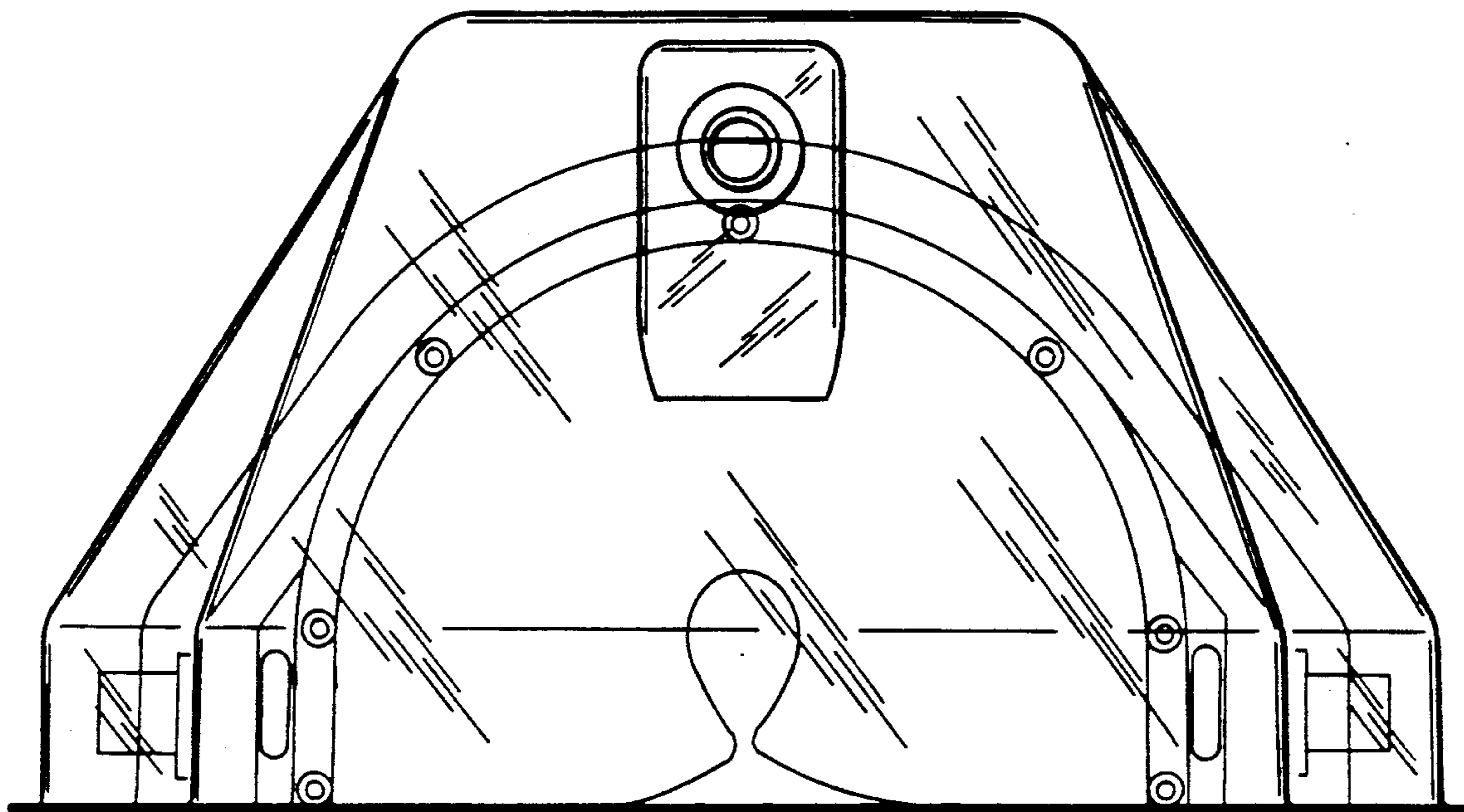


FIG. 4

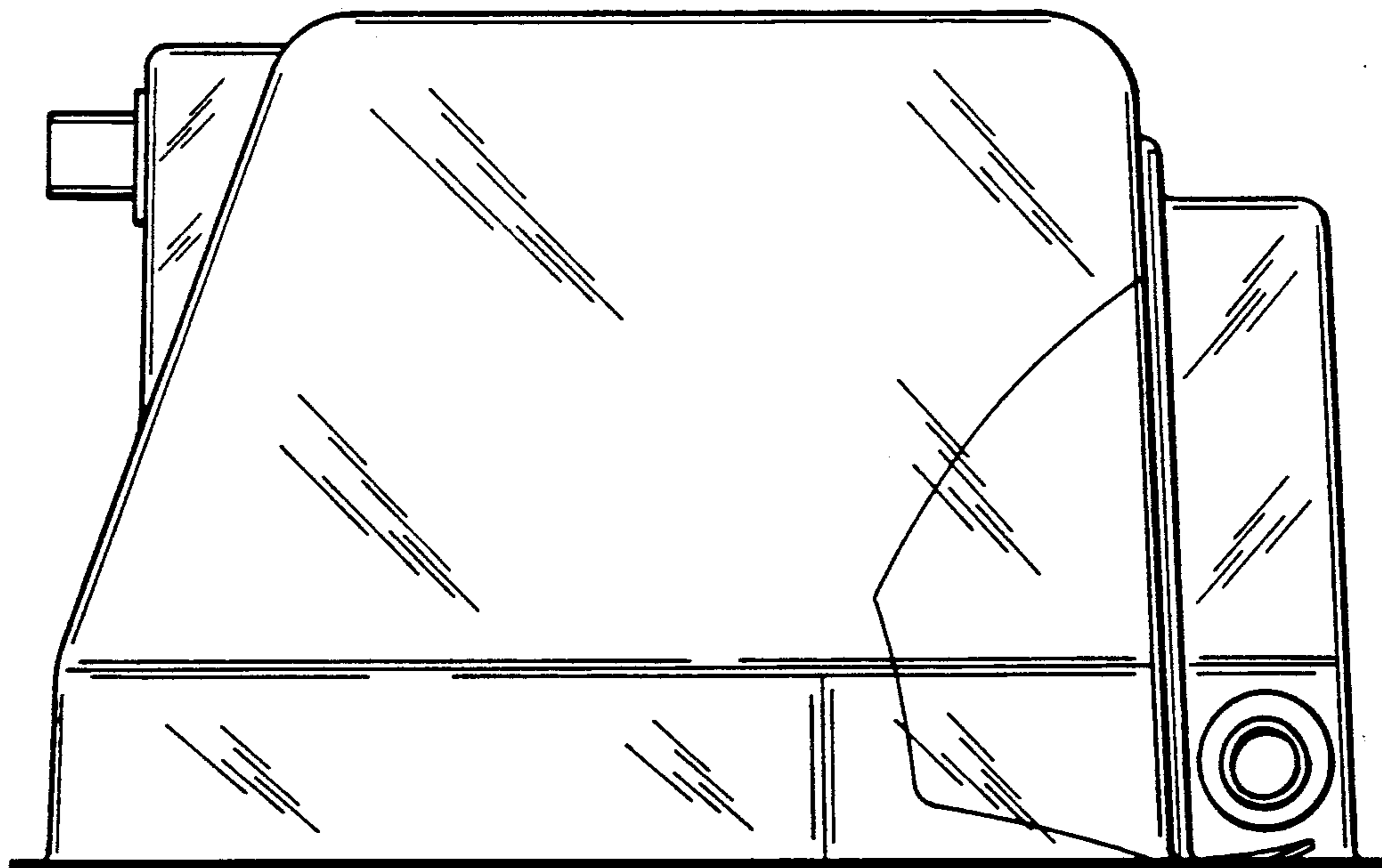


FIG. 5

FIG. 6

