

[54] **ADAPTER FOR SURGICAL RETRACTORS**

[75] **Inventor: William H. Pilling, N. Wales, Pa.**

[73] **Assignee: Pilling Co., Fort Washington, Pa.**

[**] **Term: 14 Years**

[21] **Appl. No.: 287,992**

[22] **Filed: Dec. 20, 1988**

[52] **U.S. Cl. D24/140**

[58] **Field of Search D24/18, 26, 27, 135,
D24/140; 128/20; 606/72; D8/380**

[56] **References Cited**

U.S. PATENT DOCUMENTS

D. 237,019	9/1975	Wigmore	D24/27
D. 282,277	1/1986	Kenna	D24/140
D. 284,510	7/1986	Pratt et al.	D24/27
D. 314,825	2/1991	Jorre	D24/27
2,465,473	3/1949	Patterson	D8/380
2,541,516	2/1951	Ivory et al.	D24/27
2,562,419	7/1952	Ferris	606/72
3,394,700	7/1968	Yamamoto	D24/27
4,702,230	10/1987	Pelta	128/20
4,838,264	6/1989	Bremer et al.	606/72

FOREIGN PATENT DOCUMENTS

196243 5/1967 U.S.S.R. 606/72

Primary Examiner—Wallace R. Burke
Assistant Examiner—Marcus Jackson
Attorney, Agent, or Firm—Howson & Howson

[57] **CLAIM**

The ornamental design for an adapter for surgical retractors, as shown and described.

DESCRIPTION

FIG. 1 is a perspective view of an adapter for surgical retractors showing my new design;
FIG. 2 is a front elevational view thereof;
FIG. 3 is a top plan view thereof;
FIG. 4 is a rear elevational view thereof;
FIG. 5 is a bottom plan view thereof;
FIG. 6 is a right side elevational view, the left side elevational view being a mirror image of FIG. 6;
FIG. 7 is a perspective view of an alternative embodiment thereof;
FIG. 8 is a front elevational view thereof;
FIG. 9 is a top plan view thereof;
FIG. 10 is a rear elevational view thereof;
FIG. 11 is a bottom plan view thereof; and
FIG. 12 is a right side elevational view, the left side elevational view being a mirror image of FIG. 12.

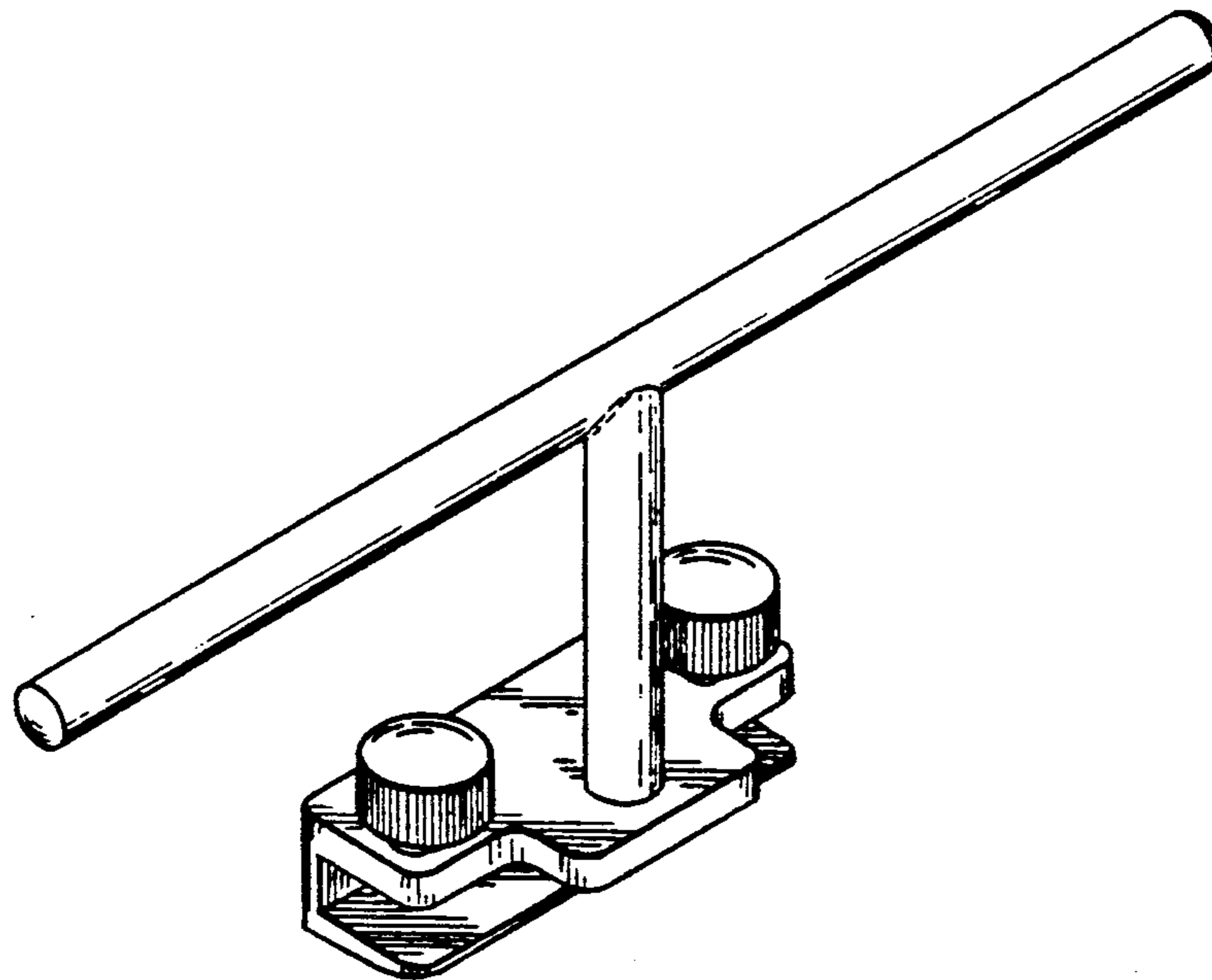


FIG. 1

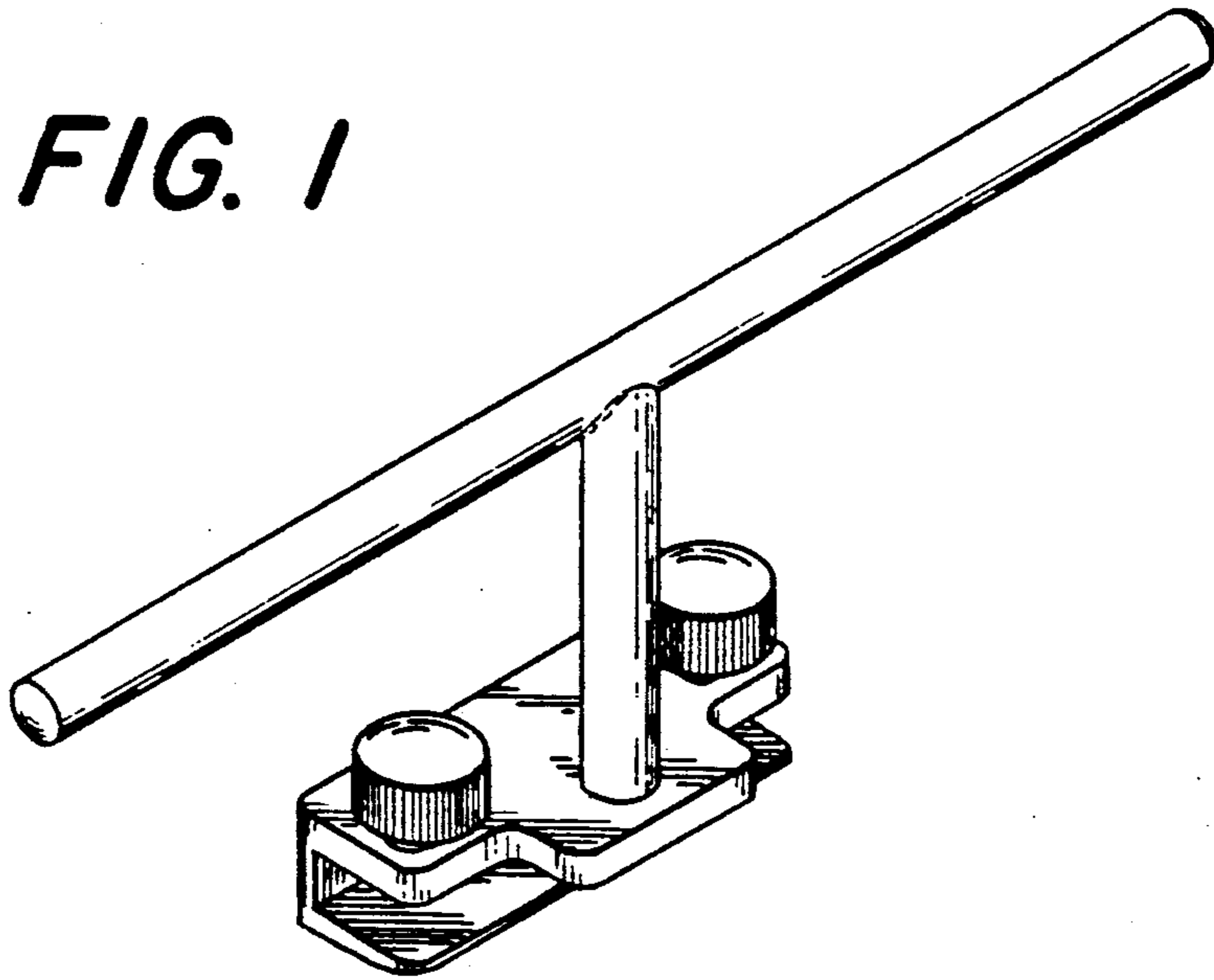


FIG. 2

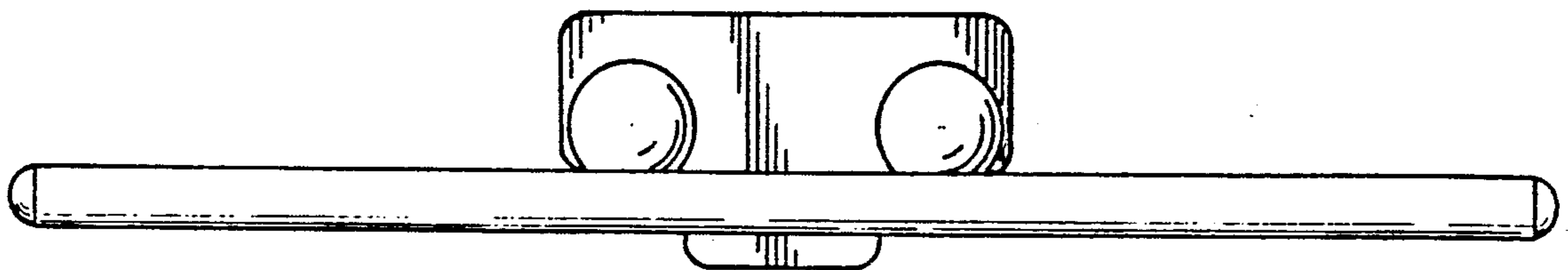
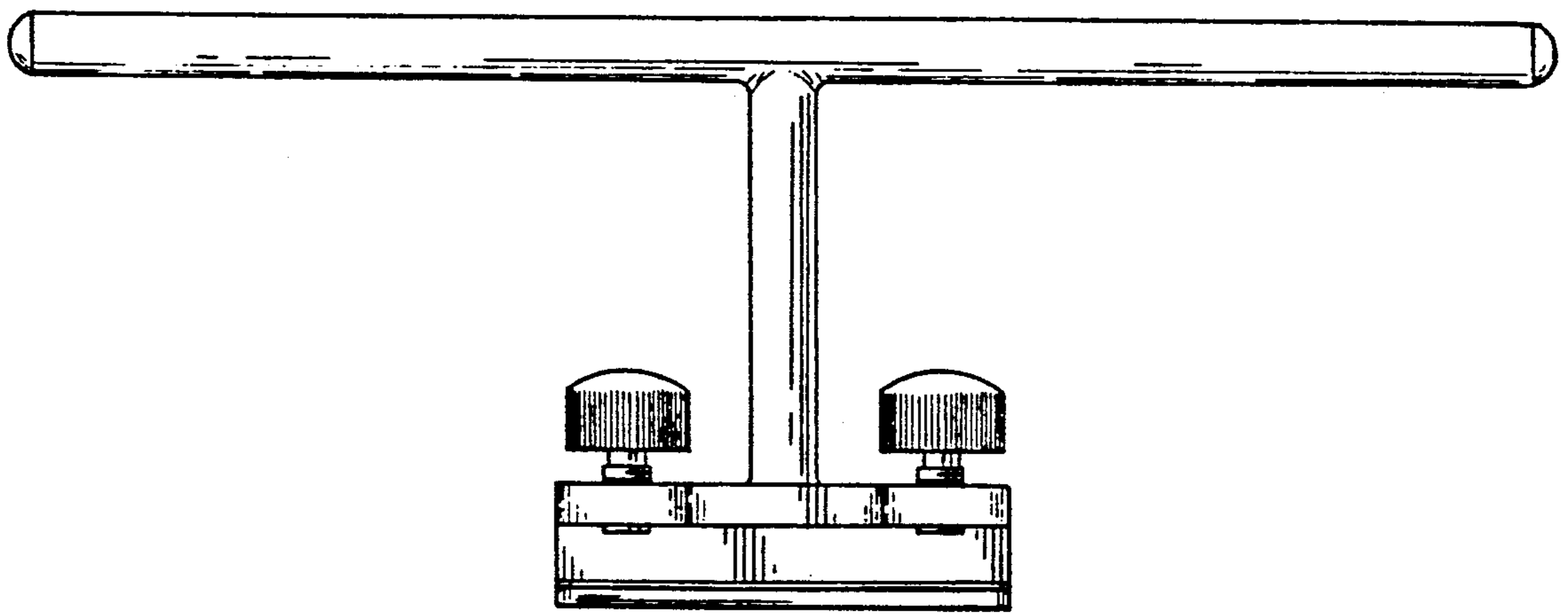


FIG. 4

FIG. 3

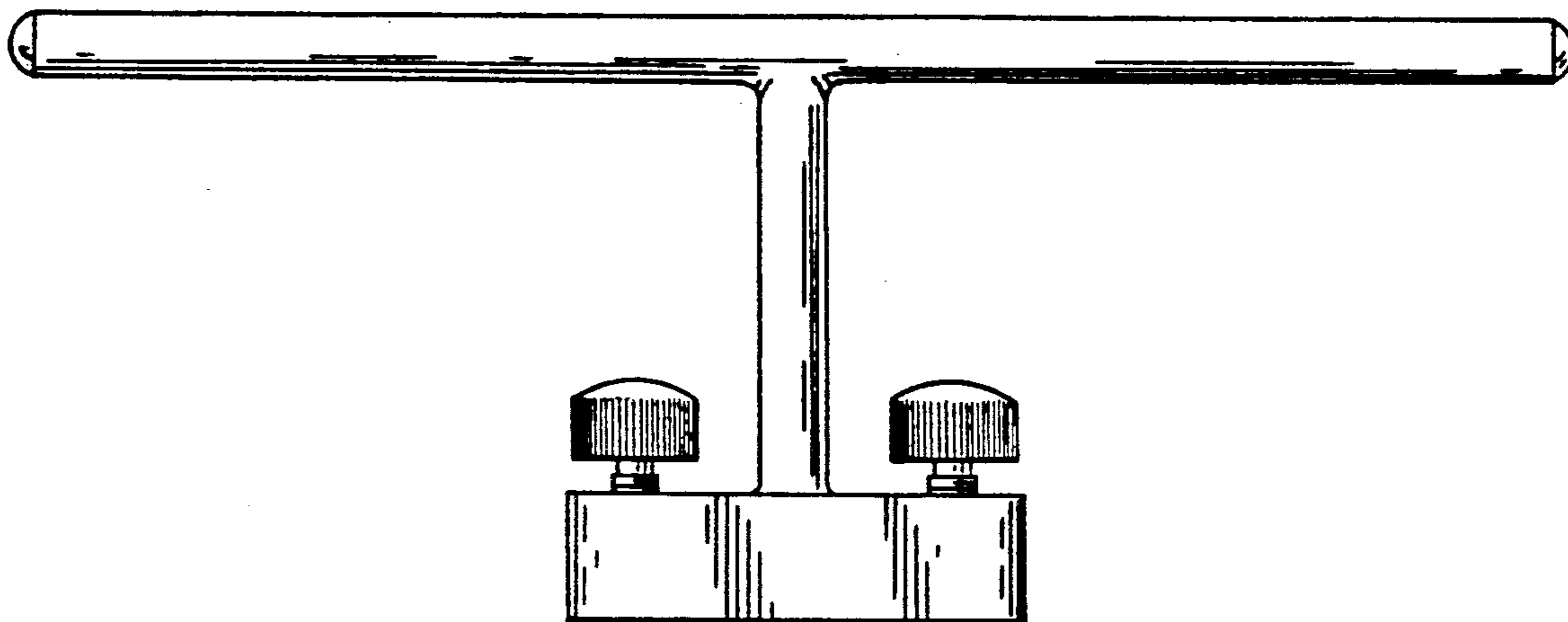


FIG. 5

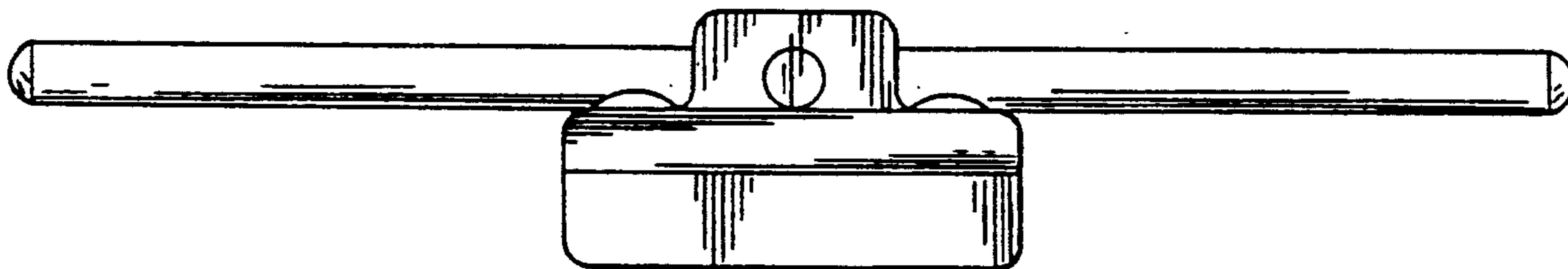


FIG. 6

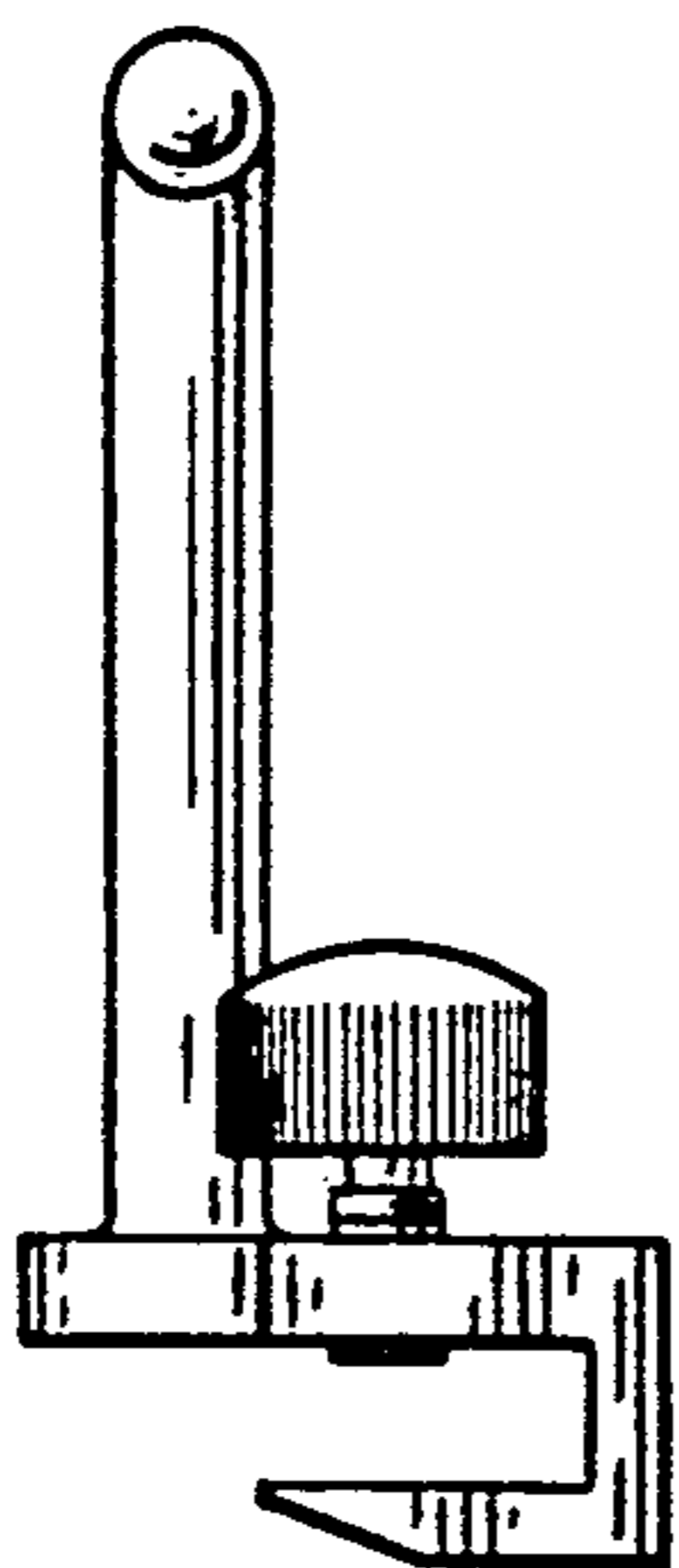


FIG. 7

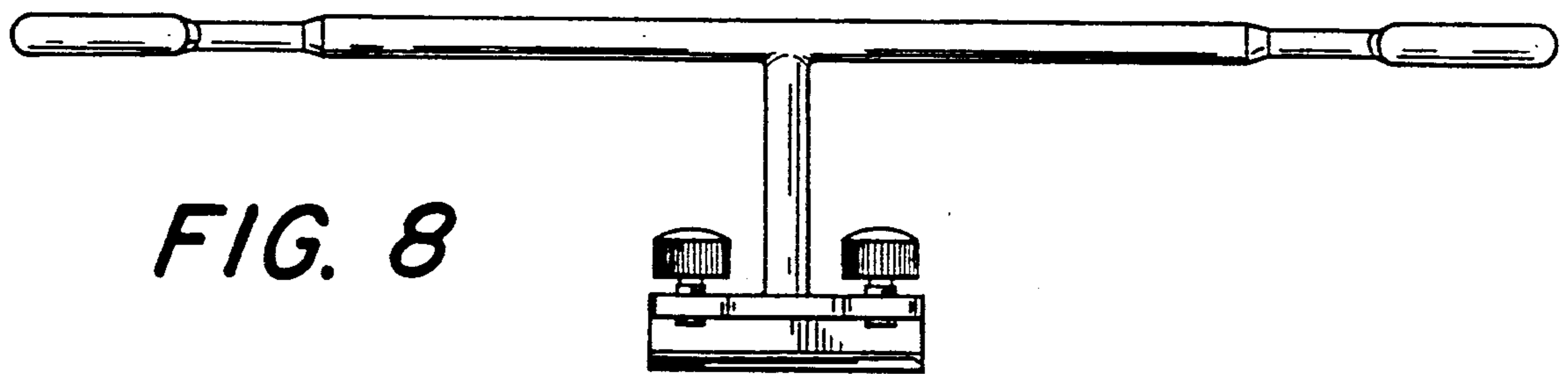
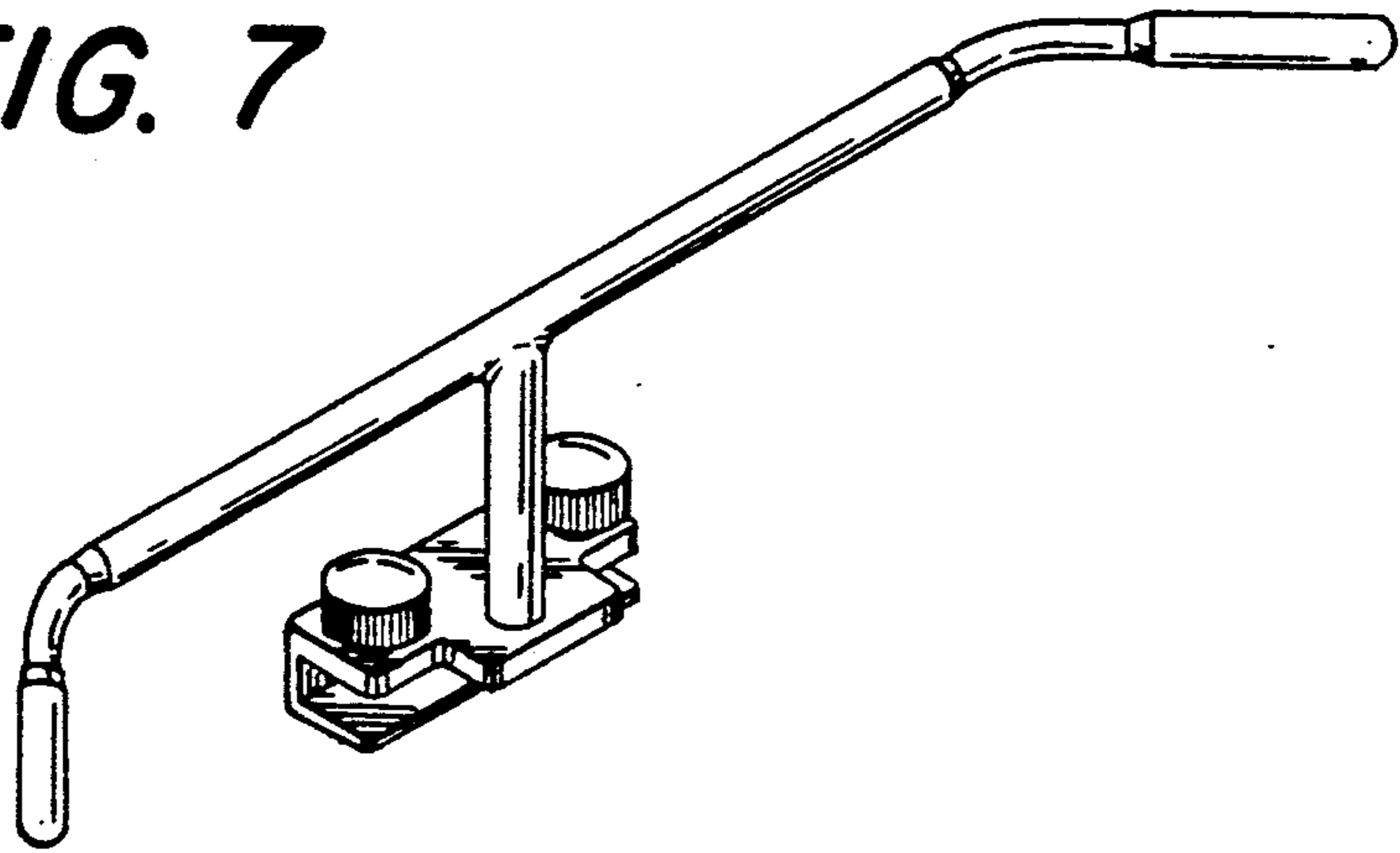


FIG. 8

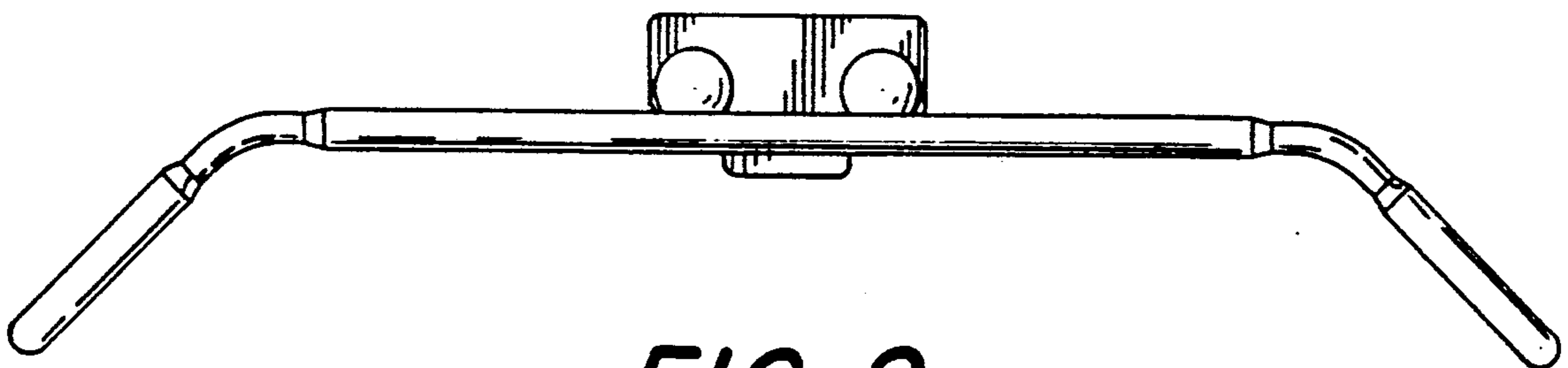


FIG. 9

FIG. 10

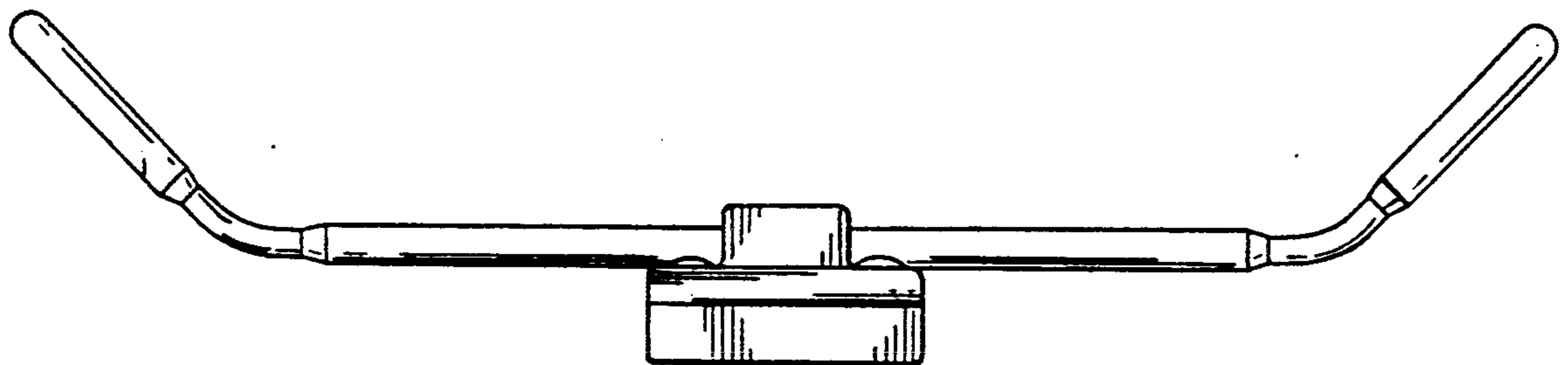
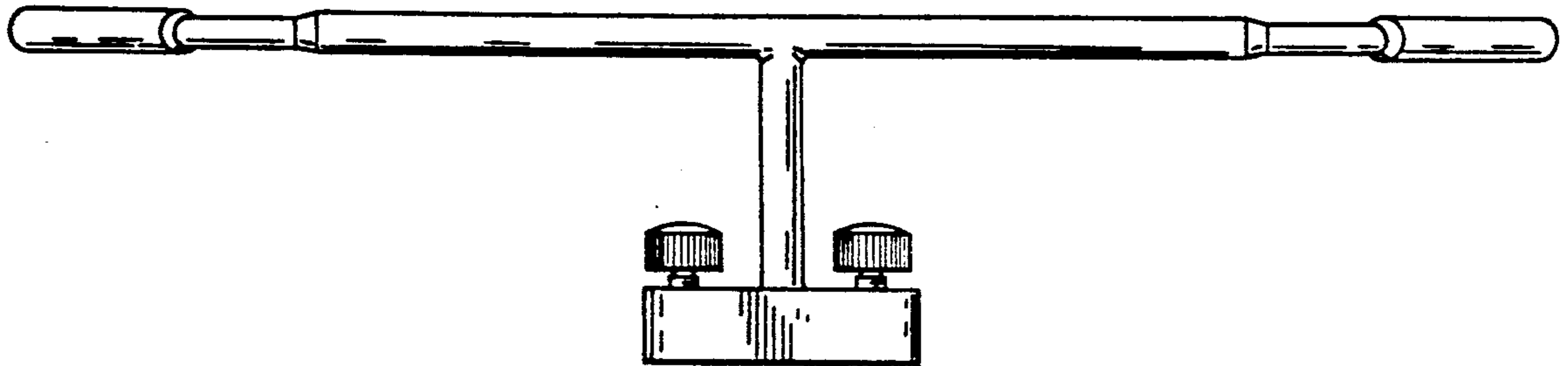


FIG. 11

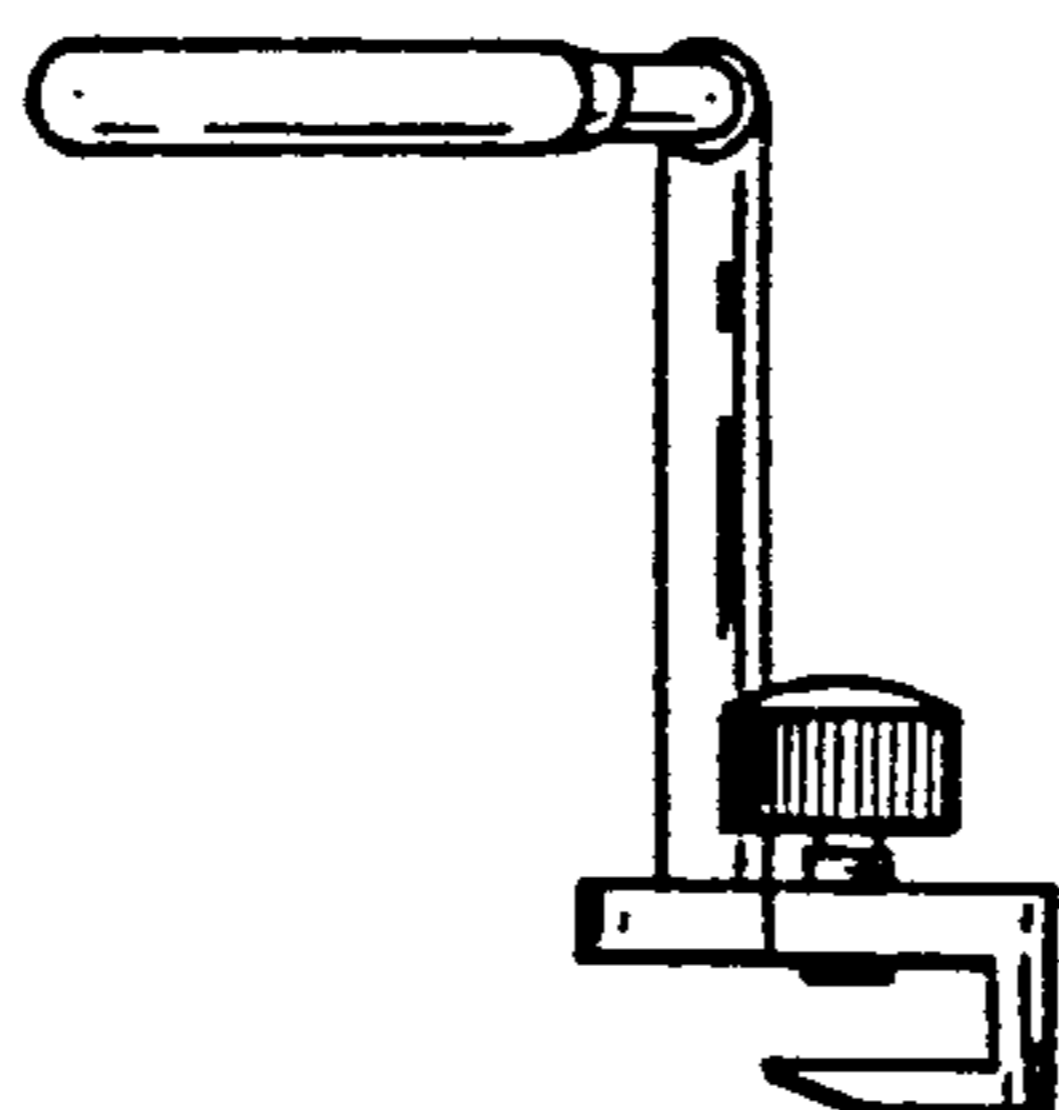


FIG. 12