

[54] SINK

[75] Inventors: Klaus W. Göcke, Schröderweg; Manfred Mück, Dorfberg, both of Fed. Rep. of Germany

[73] Assignee: Blanco GmbH & Co. KG, Obererdingen, Fed. Rep. of Germany

[\*] Notice: The portion of the term of this patent subsequent to Sep. 10, 2005 has been disclaimed.

[\*\*] Term: 14 Years

[21] Appl. No.: 290,892

[22] Filed: Dec. 28, 1988

[30] Foreign Application Priority Data

Jun. 28, 1988 [DE] Fed. Rep. of Germany ..... 10AR 88/88

[52] U.S. Cl. .... D23/287; D23/290

[58] Field of Search ..... D23/284-294, D23/308; 4/553, 619, 627-656; 134/115; 312/228

[56] References Cited

U.S. PATENT DOCUMENTS

D. 293,813	1/1988	Fischer et al. ....	D23/271
D. 293,814	1/1988	Mück et al. ....	D23/287
D. 296,003	5/1988	Garza ....	D23/290
D. 297,162	8/1988	Mück et al. ....	D23/290
D. 297,163	8/1988	Blane et al. ....	D23/290
D. 298,163	10/1988	Downs ....	D23/287
4,689,840	9/1987	Mück et al. ....	4/629
4,847,927	7/1989	Blanc ....	4/629

OTHER PUBLICATIONS

Sweet's Catalog, 1975, p. 15.16/EL, p. 2.  
Sweet's Catalog, 1986, p. 15.7/EL, p. 2.

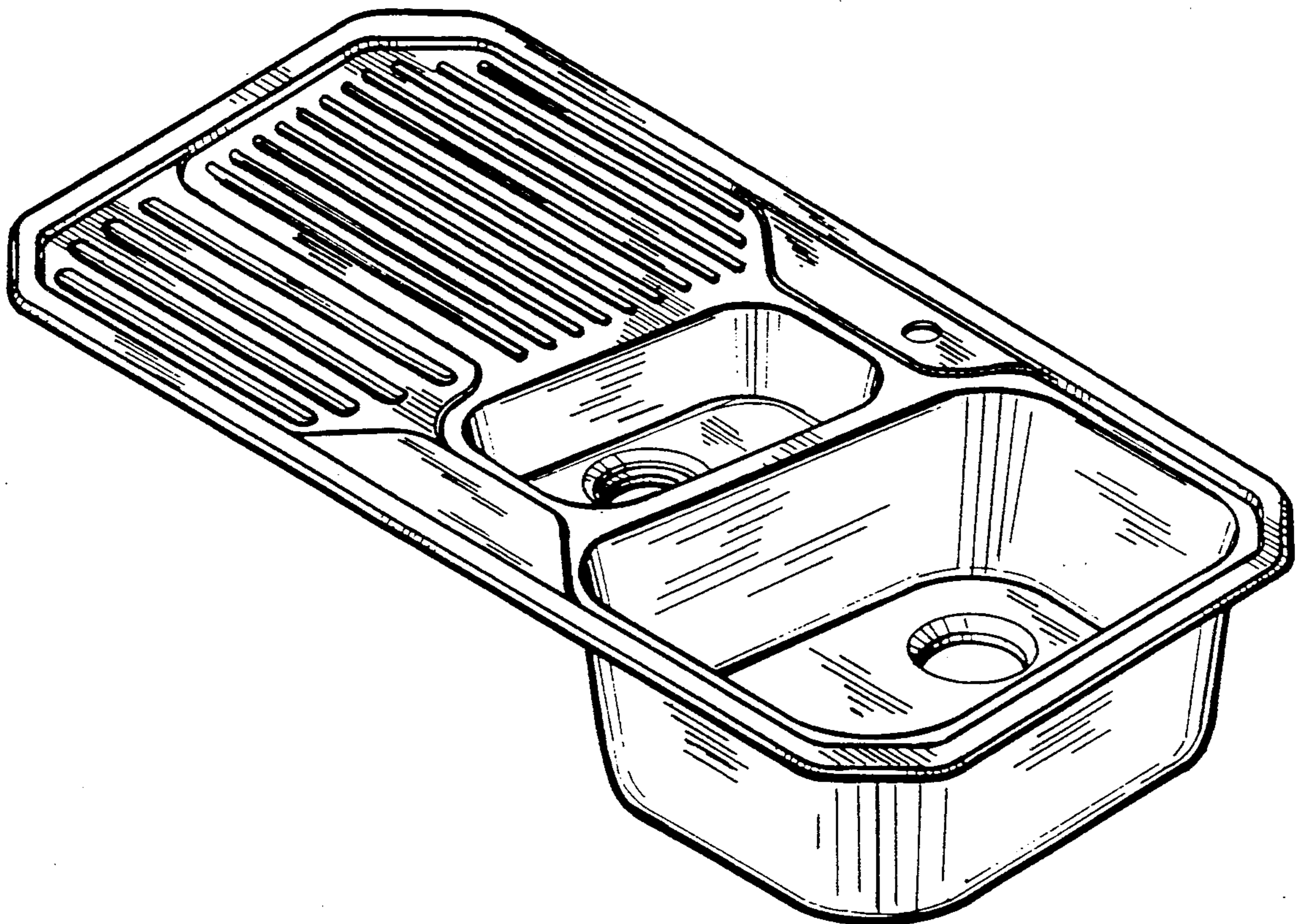
Primary Examiner—James R. Largen  
Attorney, Agent, or Firm—Spencer & Frank

[57] CLAIM

The ornamental design for a sink, as shown and described.

DESCRIPTION

FIG. 1 is a top plan view of a sink showing our new design;  
FIG. 2 is a front elevational view thereof;  
FIG. 3 is a left side elevational view thereof; and  
FIG. 4 is a perspective view taken from the top, front and right side thereof.



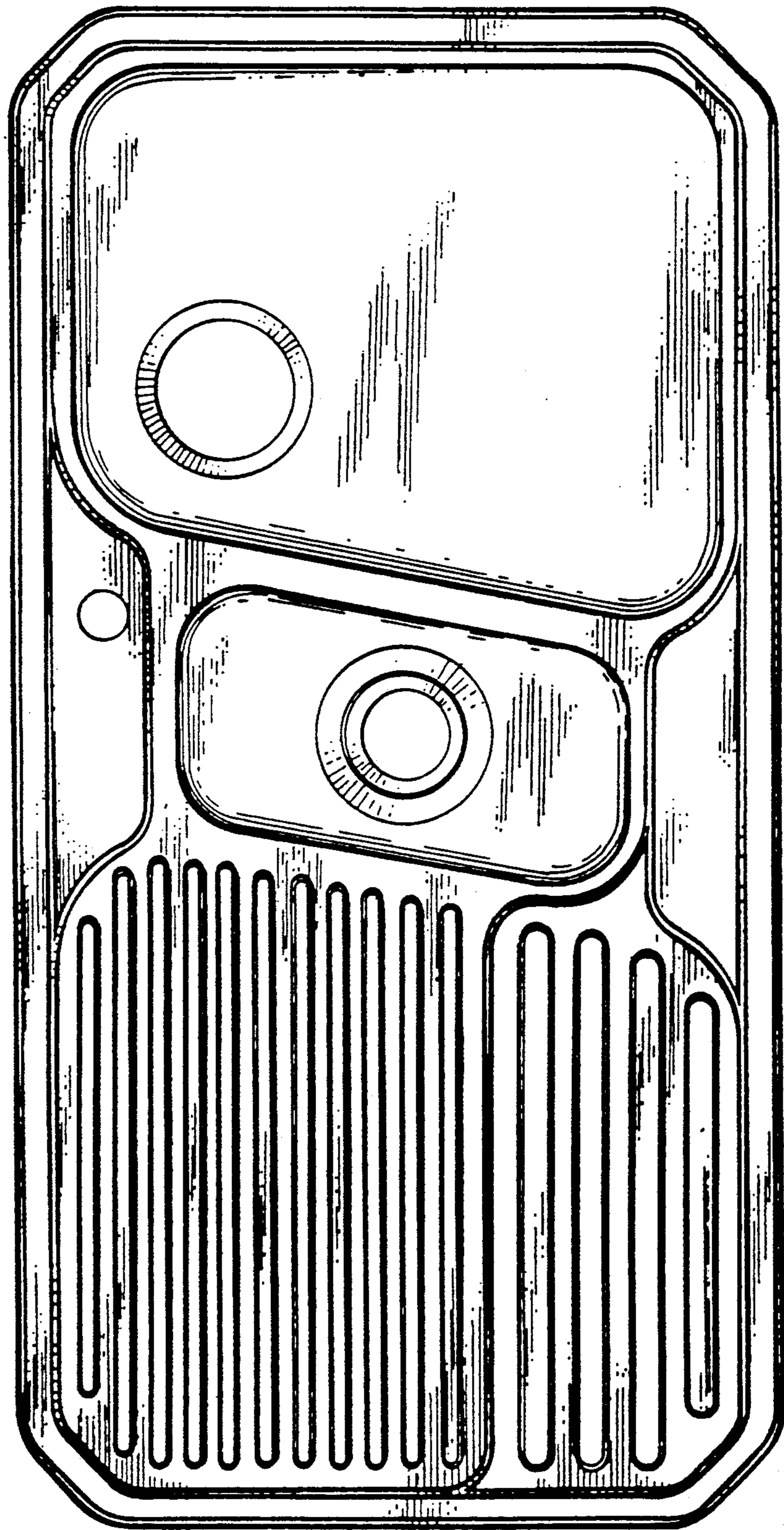


FIG. 1

FIG.2

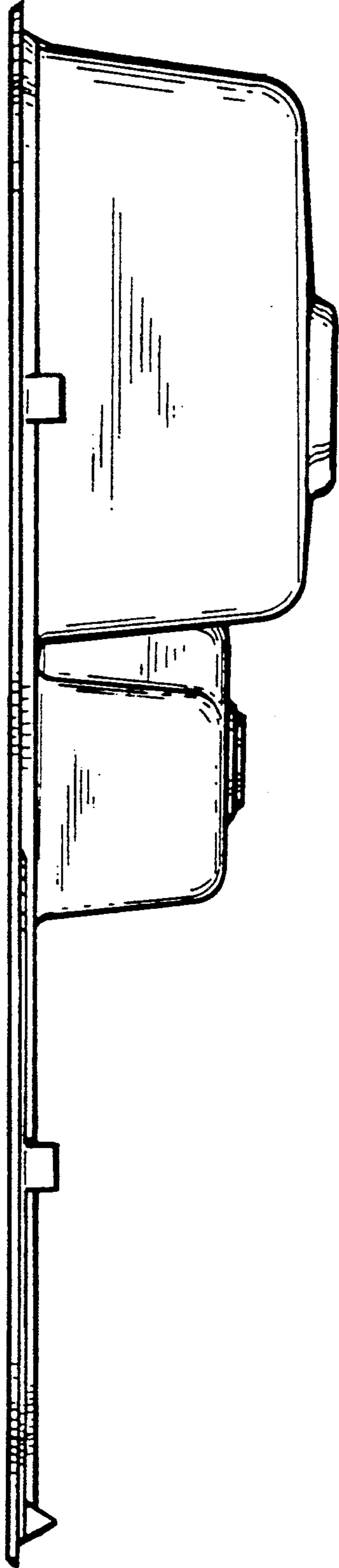
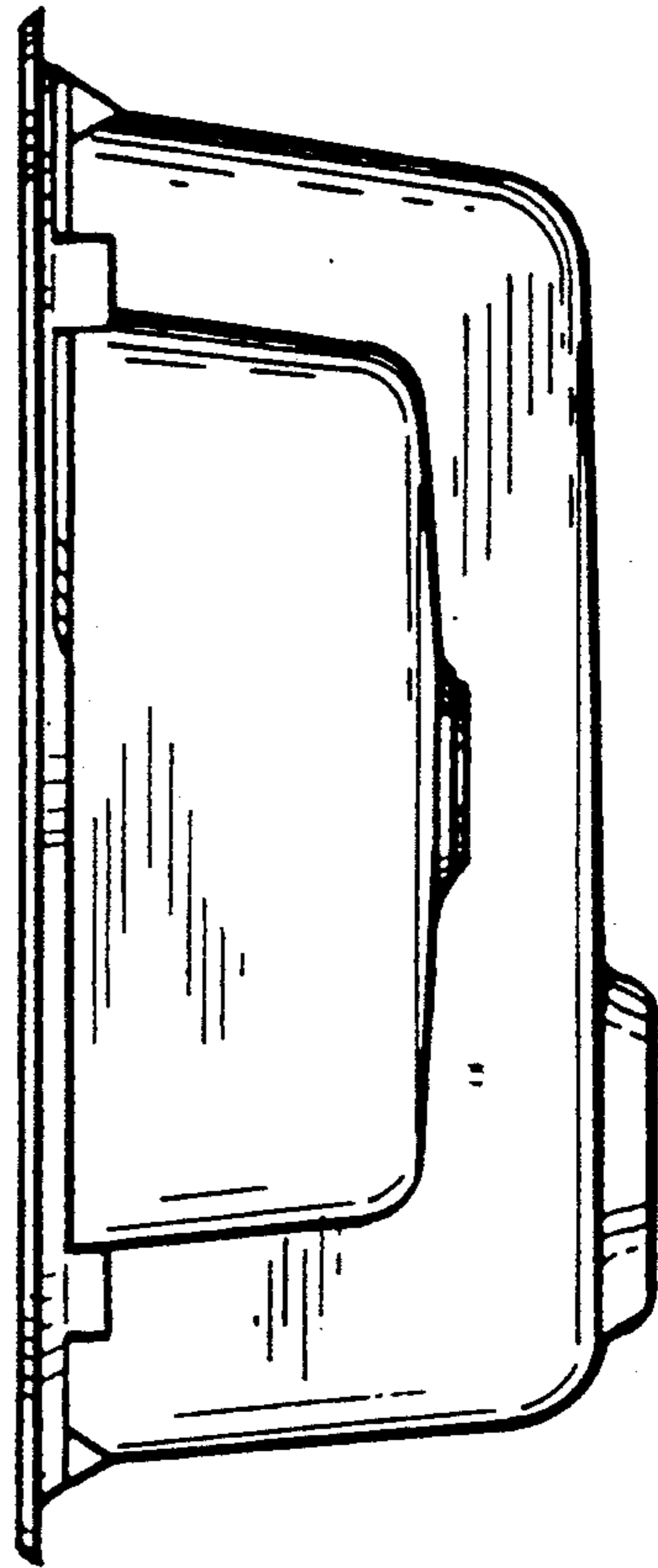


FIG.3



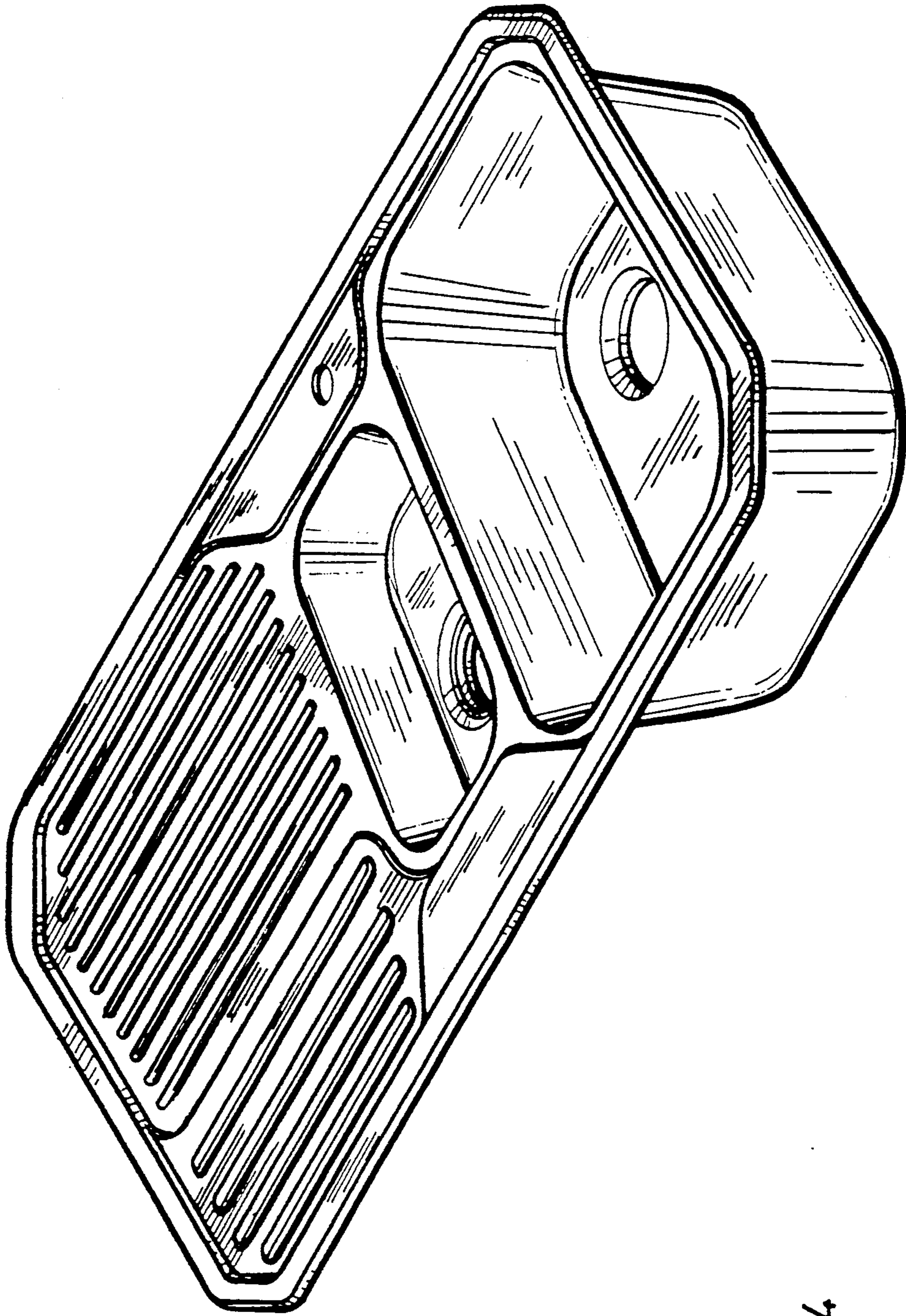


FIG. 4