

[54] **COMBINED BATTERY POWERED LANTERN AND FAN**

[76] Inventor: **Raymond Leon, Jr.**, 51935 Sunset Dr., Coachella, Calif. 92236

[\*\*] Term: **14 Years**

[21] Appl. No.: **395,710**

[22] Filed: **Aug. 18, 1989**

[52] U.S. Cl. .... **D23/382; D26/38**

[58] Field of Search ..... **D26/37-50; 362/157, 158, 183-208; D23/382, 381, 378, 370, 411, 413; 392/365, 366; 416/246**

769,676 9/1904 Bachtel ..... 416/100  
 1,504,003 8/1924 Trumbull ..... 416/5

*Primary Examiner*—Susan J. Lucas  
*Assistant Examiner*—Lisa Lichtenstein  
*Attorney, Agent, or Firm*—John H. Crowe

[57] **CLAIM**

The ornamental design for a combined battery powered lantern and fan, as shown and described.

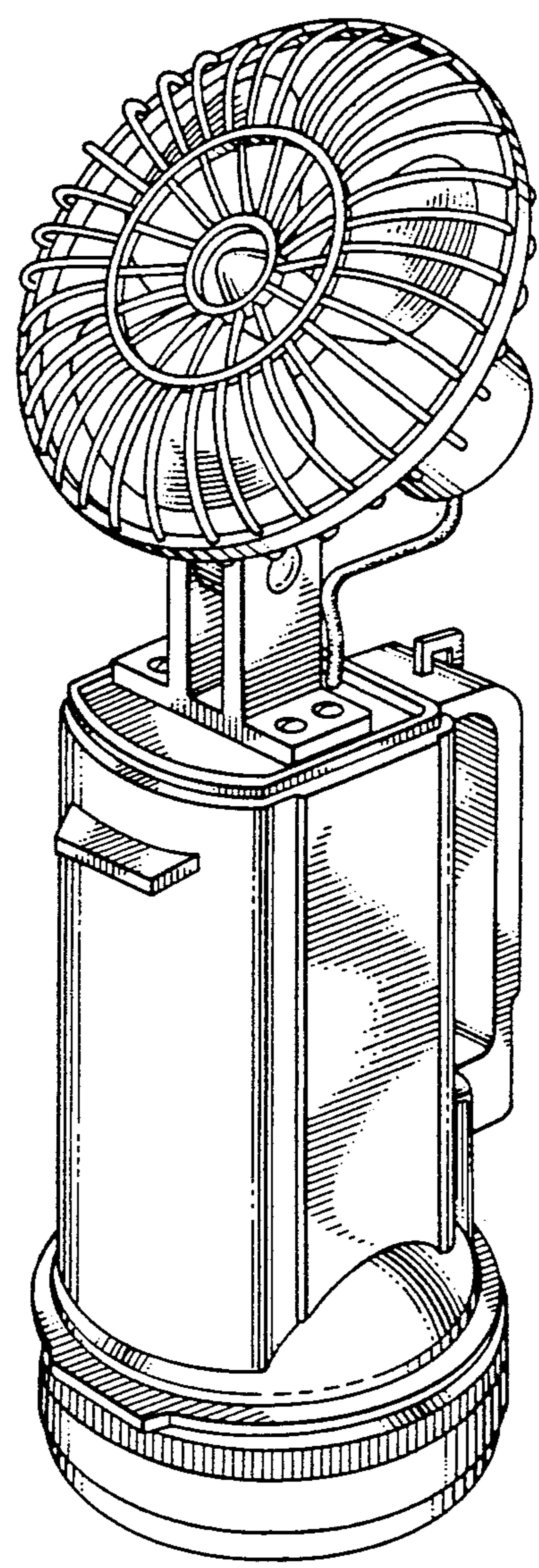
**DESCRIPTION**

FIG. 1 is a perspective view of a combined battery powered lantern and fan, showing my new design.  
 FIG. 2 is a front elevational view thereof.  
 FIG. 3 is a top plan view thereof.  
 FIG. 4 is a left side elevational view thereof, the right side being a mirror image of that shown.  
 FIG. 5 is a rear elevational view thereof.  
 FIG. 6 is a bottom plan view thereof.

[56] **References Cited**

**U.S. PATENT DOCUMENTS**

D. 89,076 1/1933 Gosling ..... D23/382  
 D. 221,077 7/1971 Stut ..... D23/382  
 D. 275,328 8/1984 Yin et al. .... D26/38



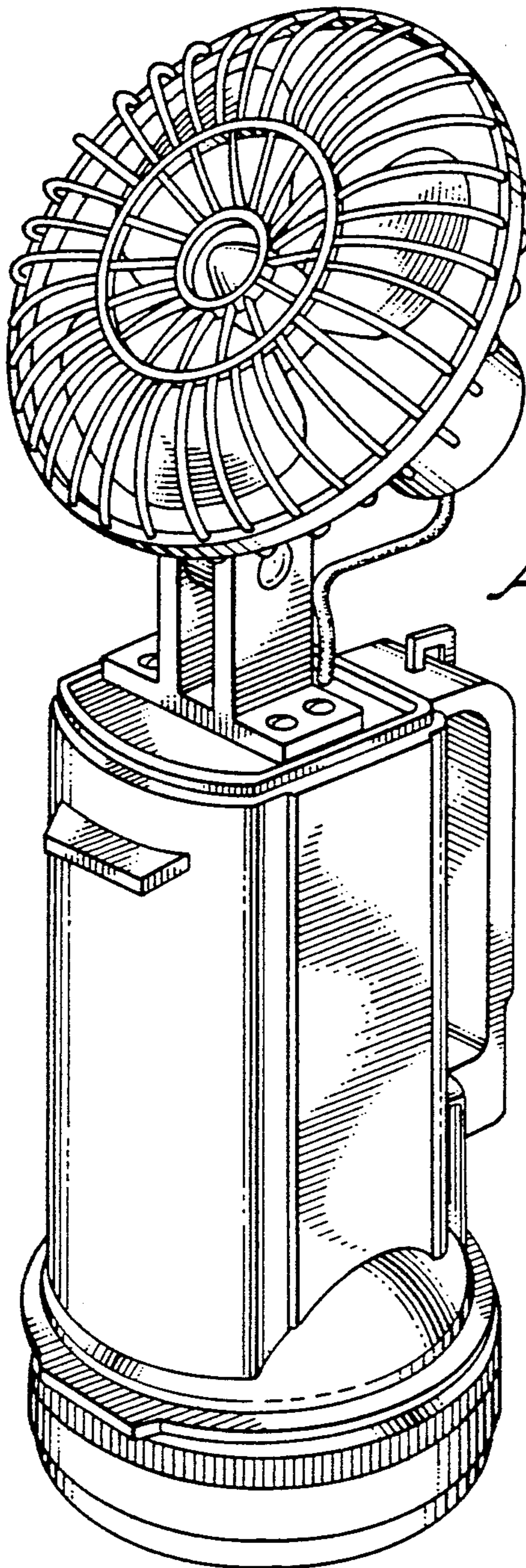


FIG. 1

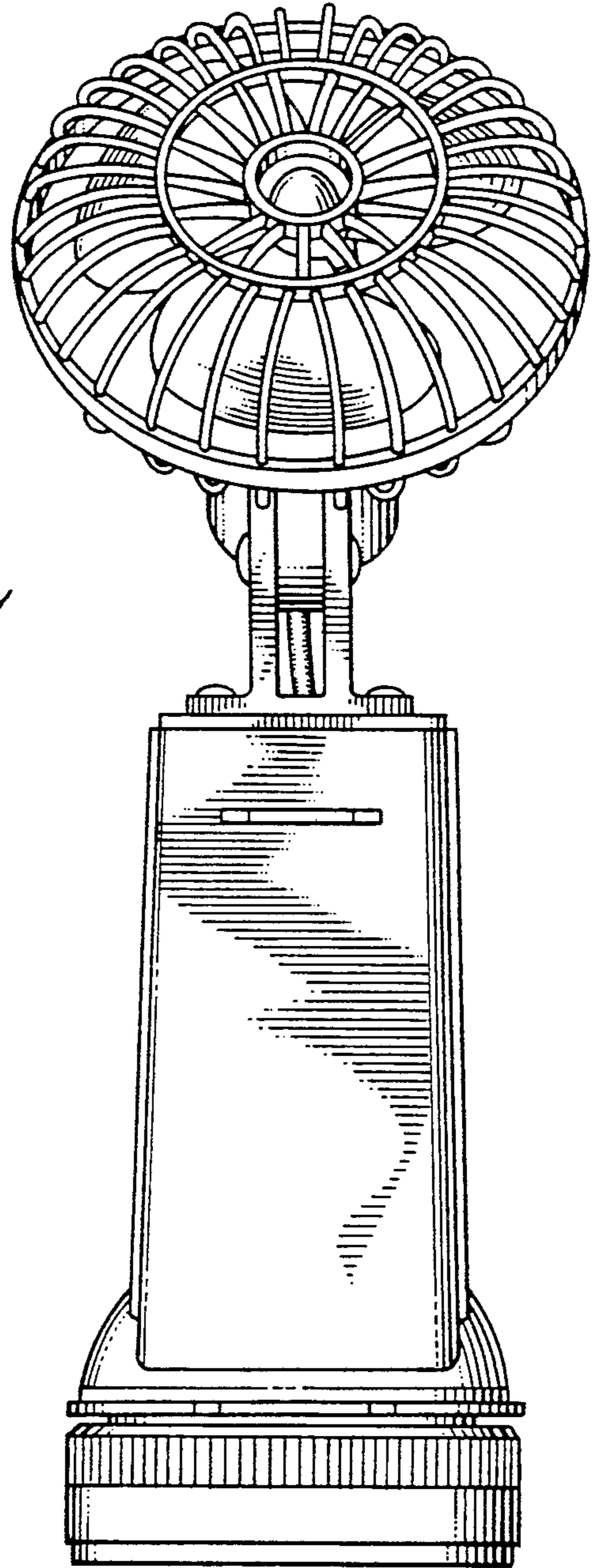


FIG. 2

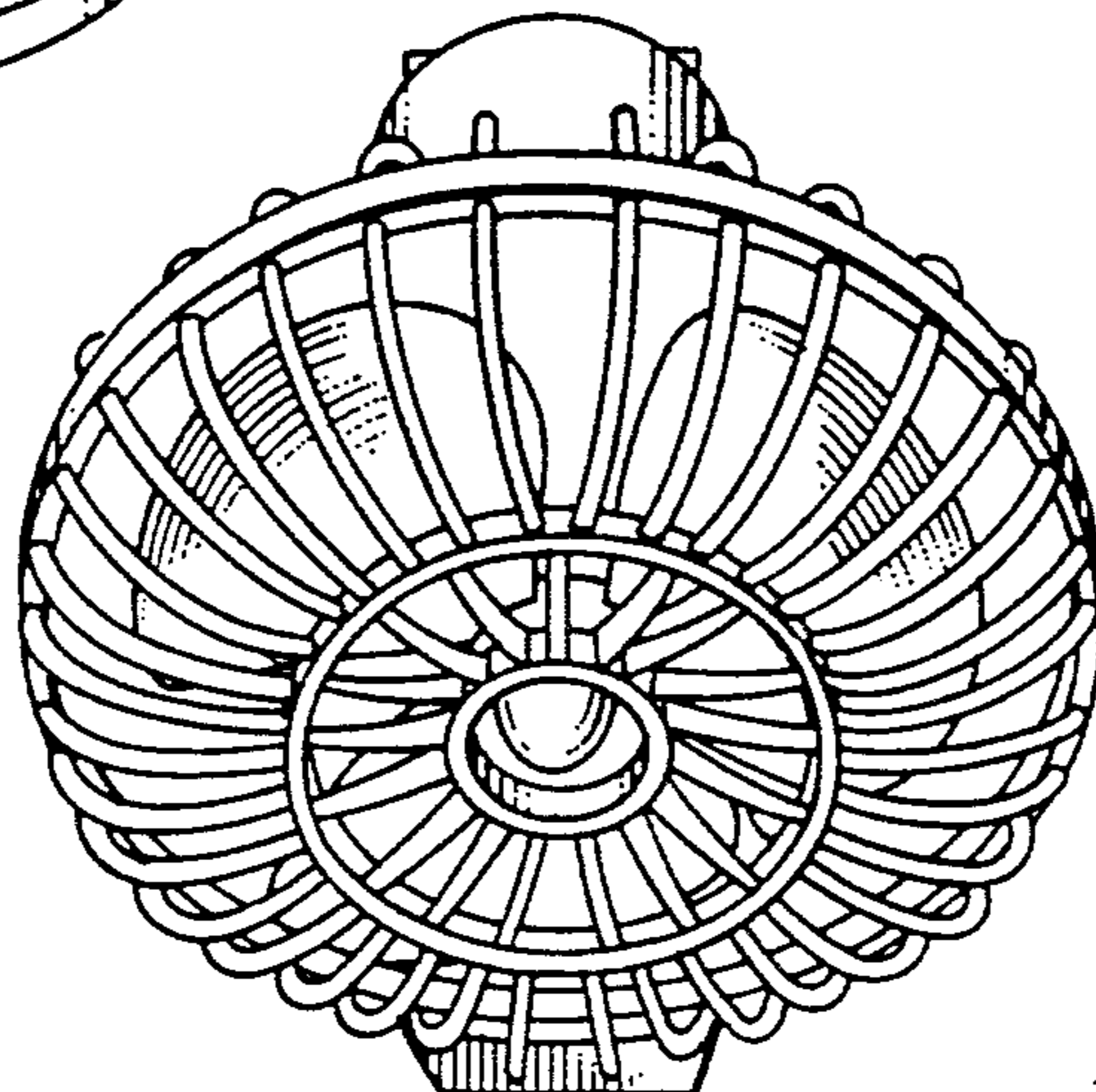


FIG. 3

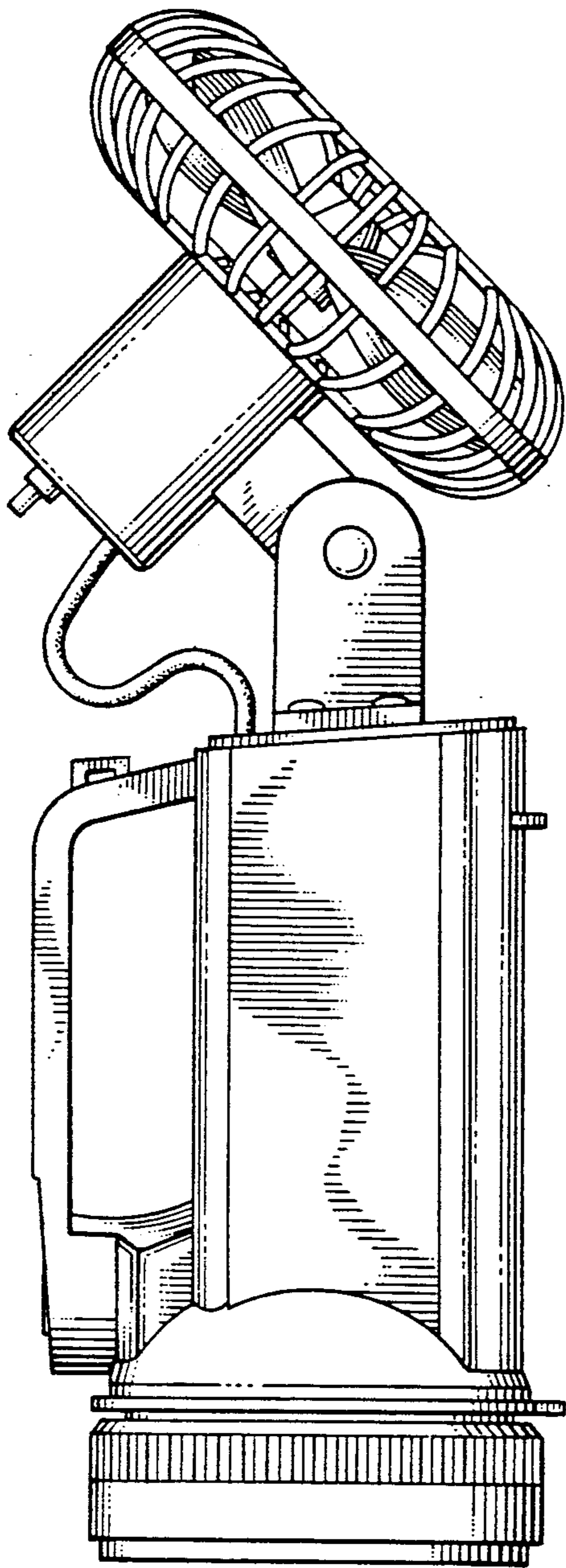


FIG. 4

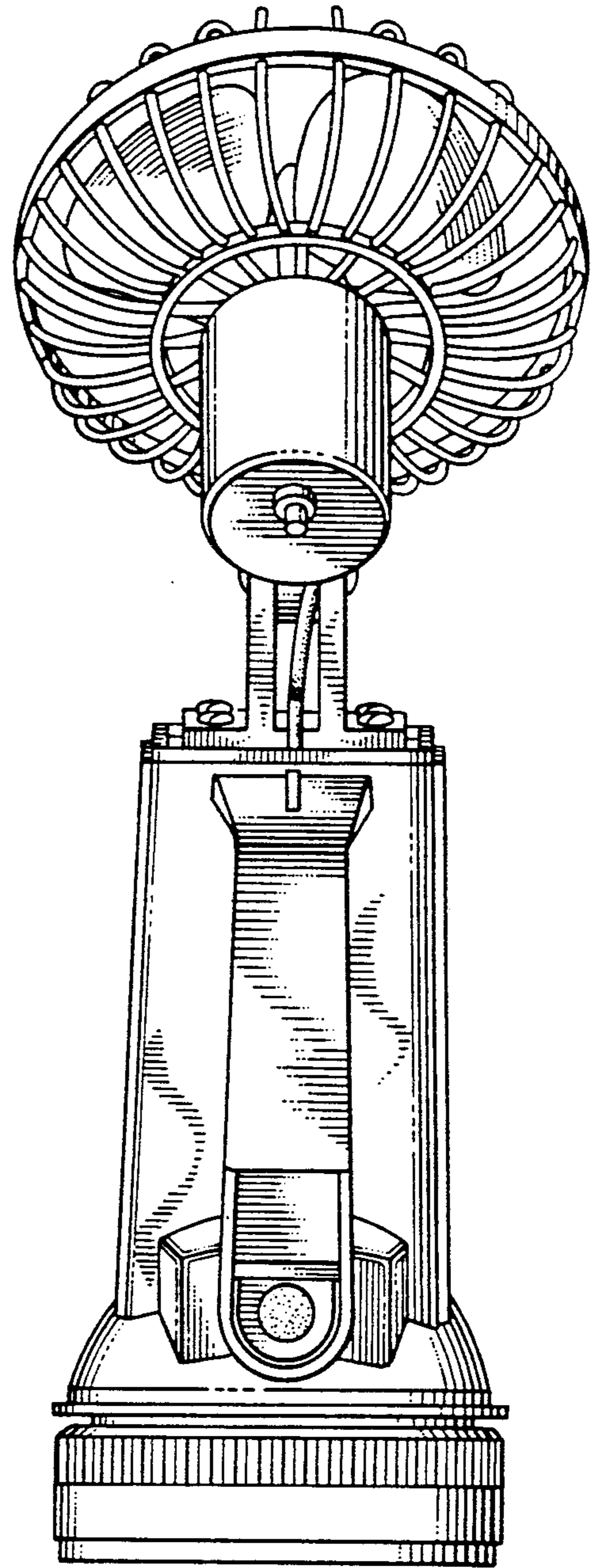


FIG. 5

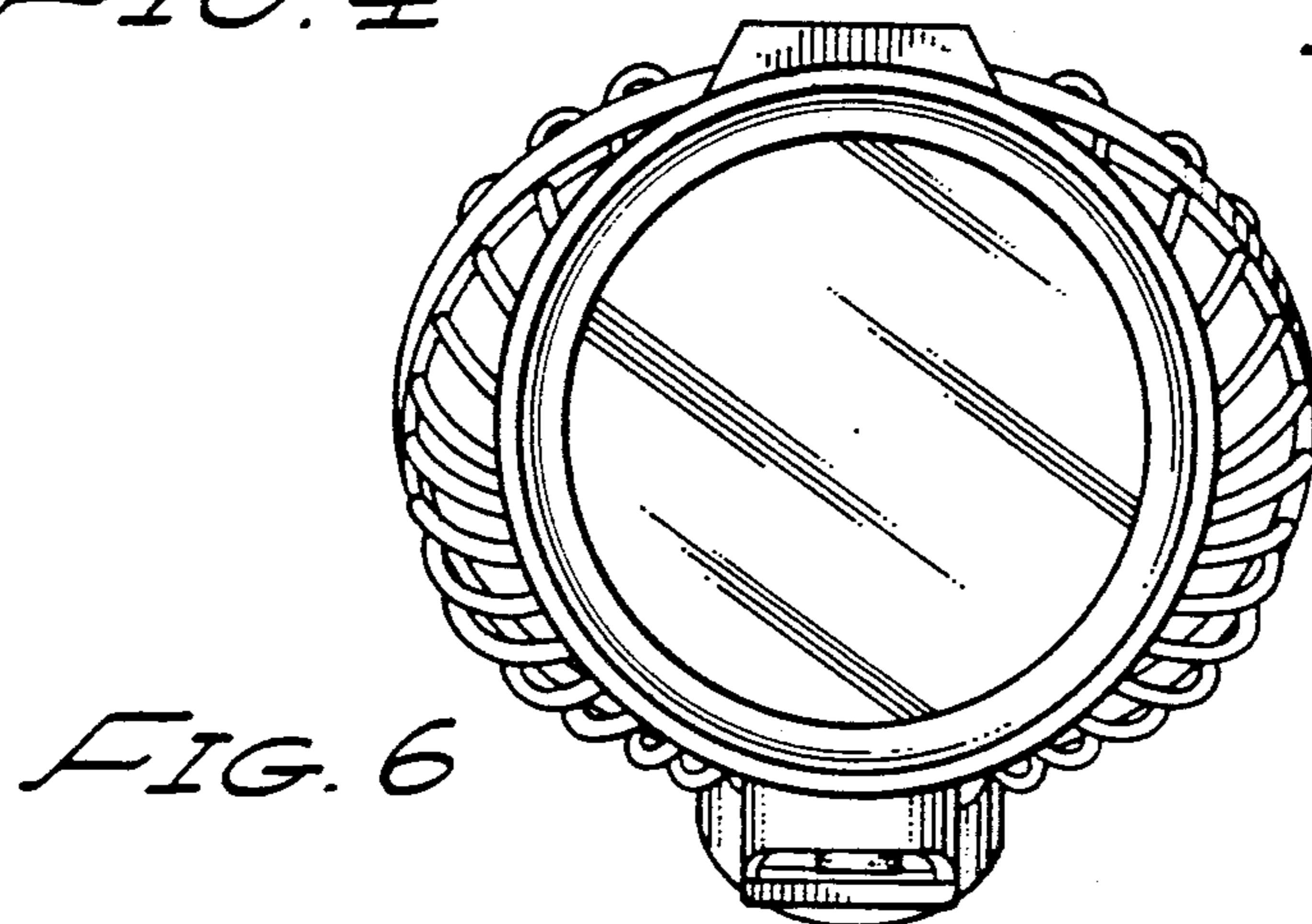


FIG. 6