

[54] SINK

[75] Inventors: **Karl-Heinz Jung**, Münsingen-Dottingen; **Manfred Mück**, Kürnbach, both of Fed. Rep. of Germany

[73] Assignee: **Blanco GmbH & Co. KG**, Obererdingen, Fed. Rep. of Germany

[*] Notice: The portion of the term of this patent subsequent to Sep. 3, 2005 has been disclaimed.

[**] Term: **14 Years**

[21] Appl. No.: **169,349**

[22] Filed: **Mar. 17, 1988**

[30] Foreign Application Priority Data
Sep. 17, 1987 [DE] Fed. Rep. of Germany 10 AR 151/87

[52] U.S. Cl. **D23/287; D23/290**

[58] Field of Search **D23/284-294, D23/308; 4/191, 286, 627-656, 619; 134/115; 312/228**

[56]

References Cited

U.S. PATENT DOCUMENTS

D. 93,329	9/1934	Crane	D23/294
D. 224,533	8/1972	Hauser	D23/290
D. 259,439	6/1981	Doman	D23/287
D. 293,814	1/1988	Mück et al.	D23/287
D. 296,003	5/1988	Garza	D23/290
D. 297,162	8/1988	Mück et al.	D23/290
D. 297,163	8/1988	Blanc et al.	D23/290
D. 298,163	10/1988	Downs	D23/290
D. 298,164	10/1988	Downs	D23/290
2,524,204	10/1950	O'Brien	4/629
3,046,569	7/1962	Holberson	4/633
4,847,927	7/1989	Blanc	4/629

OTHER PUBLICATIONS

Domestic Engineering, May 1981, p. 47.

Primary Examiner—James R. Largen
Attorney, Agent, or Firm—Spencer & Frank

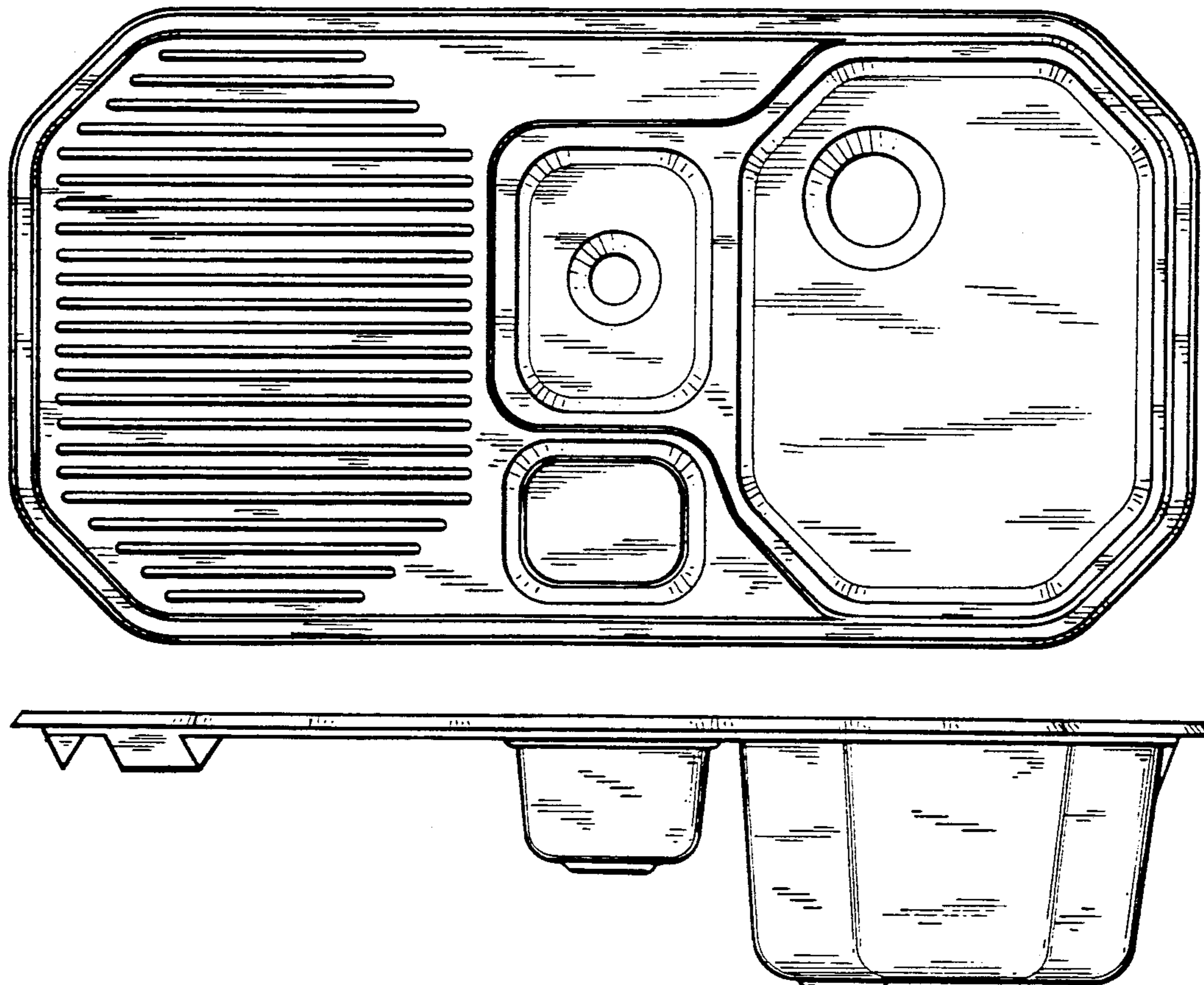
[57]

CLAIM

The ornamental design for a sink, as shown and described.

DESCRIPTION

FIG. 1 is a top plan view of a sink showing our new design;
FIG. 2 is a front elevational view thereof;
FIG. 3 is a left side elevational view thereof; and
FIG. 4 is a bottom plan view thereof.



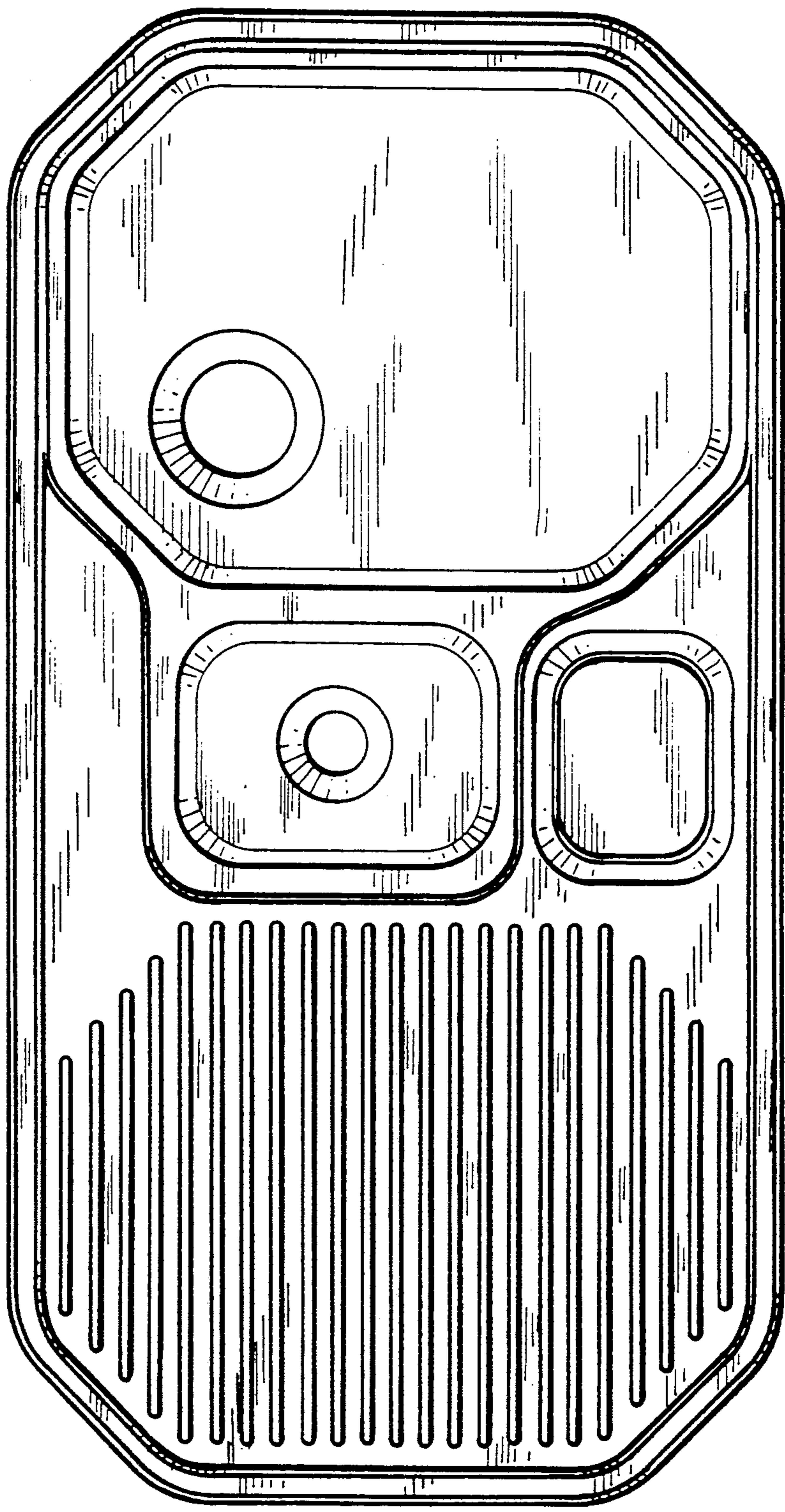


FIG. 1

FIG. 2

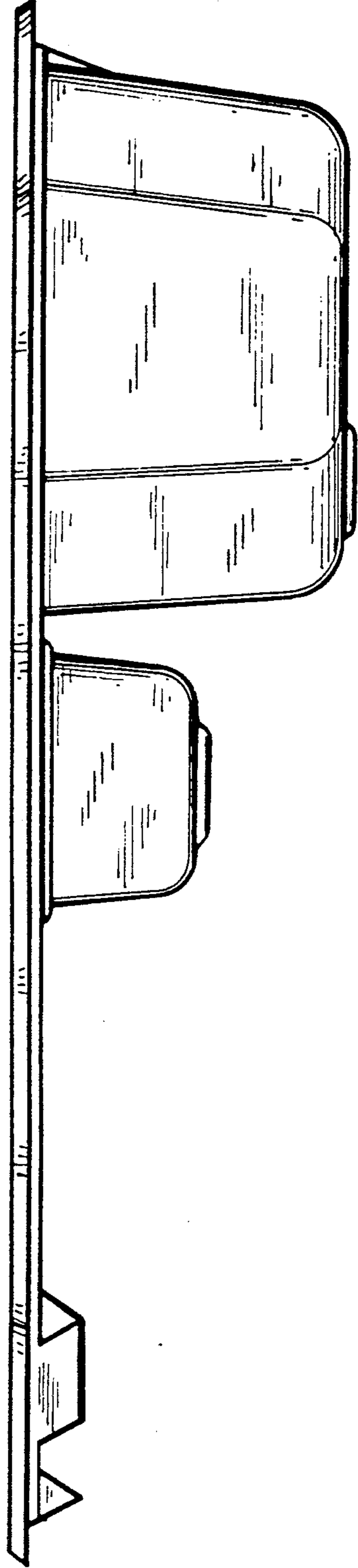
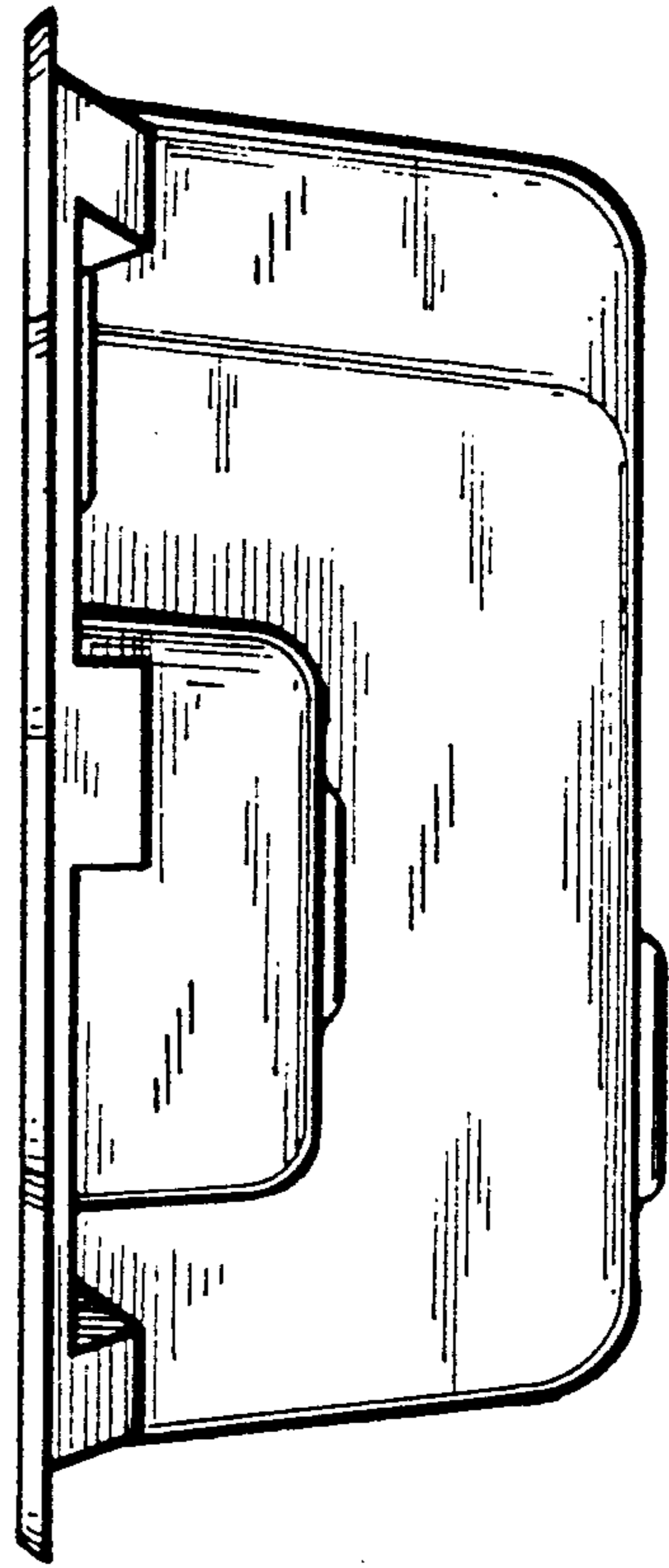


FIG. 3



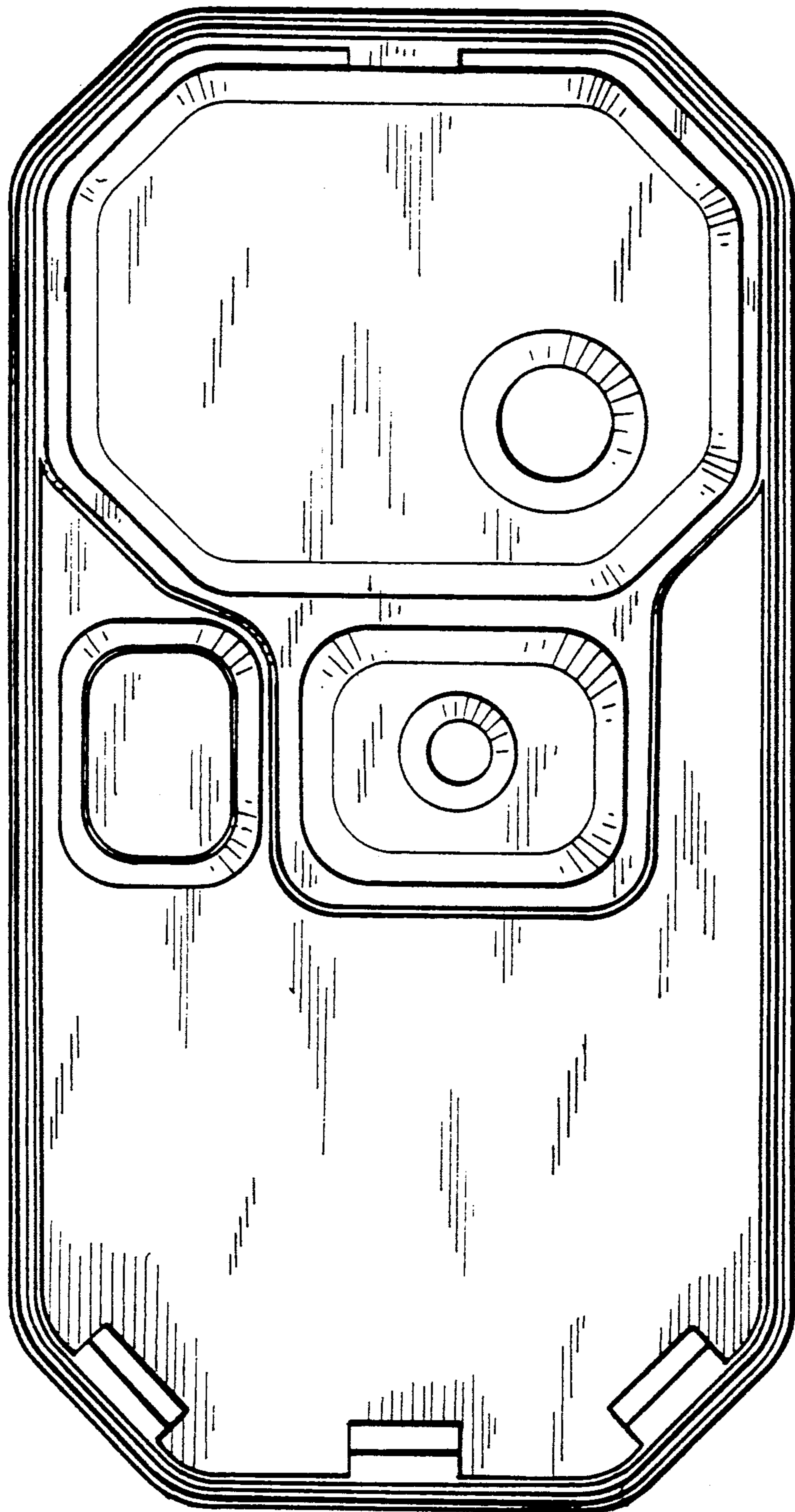


FIG. 4