

[54] ESCUTCHEON FOR A SPOUT OR THE LIKE

[75] Inventors: Herbert V. Kohler, Jr., Kohler; Mary J. Reid, Sheboygan; Alan D. Bengtson, Sheboygan, all of Wis.

[73] Assignee: Kohler Co., Kohler, Wis.

[**] Term: 14 Years

[21] Appl. No.: 144,446

[22] Filed: Jan. 12, 1988

[52] U.S. Cl. D23/255; D23/254

[58] Field of Search D23/238-243, D23/250-257; 4/191, 192; 137/801

[56] References Cited

U.S. PATENT DOCUMENTS

D. 281,096 10/1985 Arnold et al. D23/238
3,505,692 4/1970 Forbes 4/623

OTHER PUBLICATIONS

Pp. 3-22, 3-26b, and 3-33e from a 1987 Kohler Co. Plumbing Products Catalog, showing certain "Finesse", Flair II, and Coralais Spouts, (admitted prior art).

P. 11 of a Kohler Co. "New Products 1988" brochure, showing Spout F.

P. 3-3 of the 1986 Kohler Co. Plumbing Products Catalog.

Primary Examiner—James R. Largen
Attorney, Agent, or Firm—Quarles & Brady

[57] CLAIM

The ornamental design for an escutcheon for a spout or the like, as shown and described.

DESCRIPTION

FIG. 1 is a perspective view taken from the top, front and right side of an escutcheon for a spout or the like showing our new design;

FIG. 2 is a left side elevational view thereof, the right side being a mirror image of the left side shown;

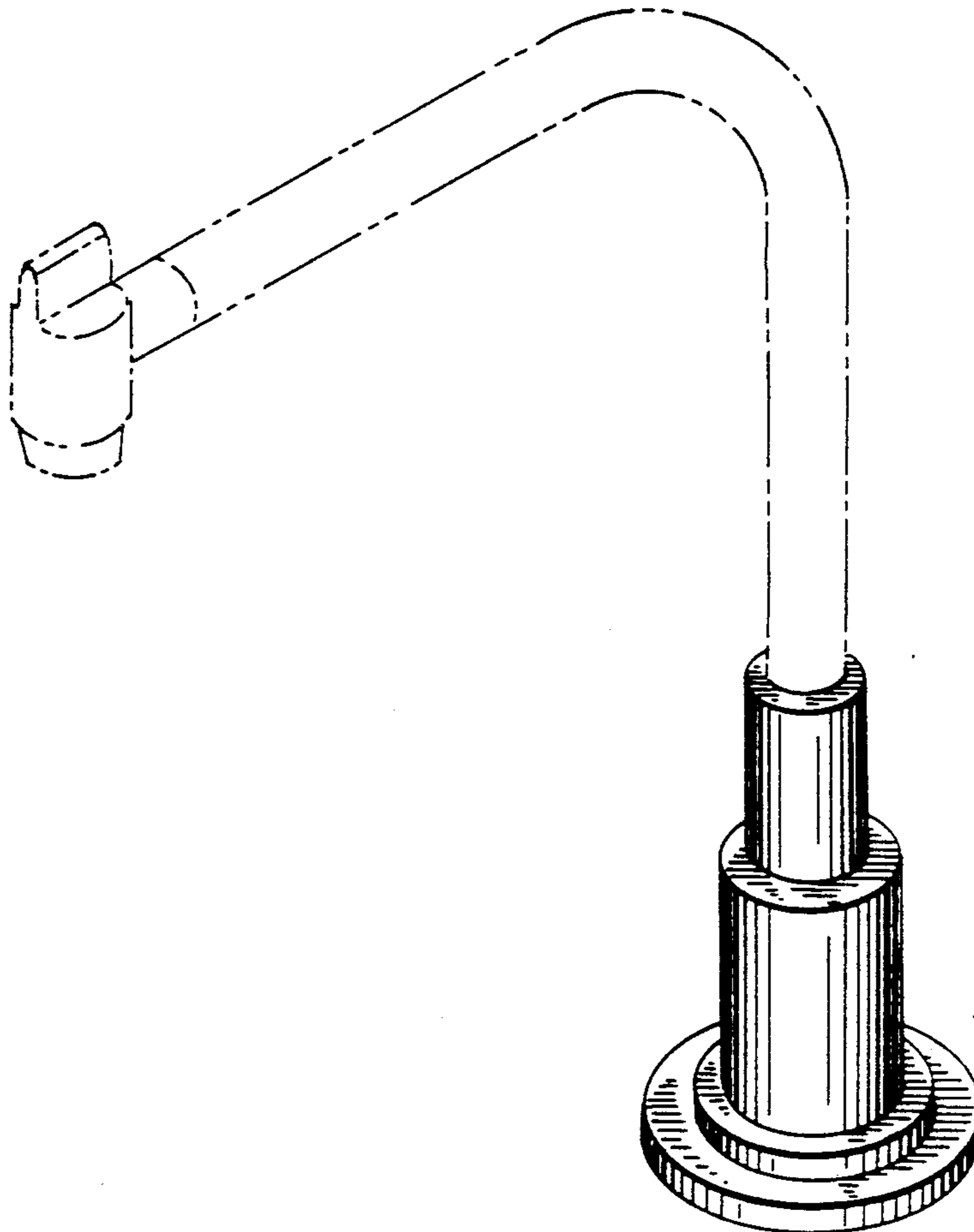
FIG. 3 is a front elevational view thereof;

FIG. 4 is a rear elevational view thereof;

FIG. 5 is a top plan view thereof; and

FIG. 6 is a bottom plan view thereof.

The fragmentary broken line representations of a sink in FIG. 1 and the broken line representations of a spout in FIGS. 1 through 6 are for the purpose of illustration only and form no part of the claimed design.



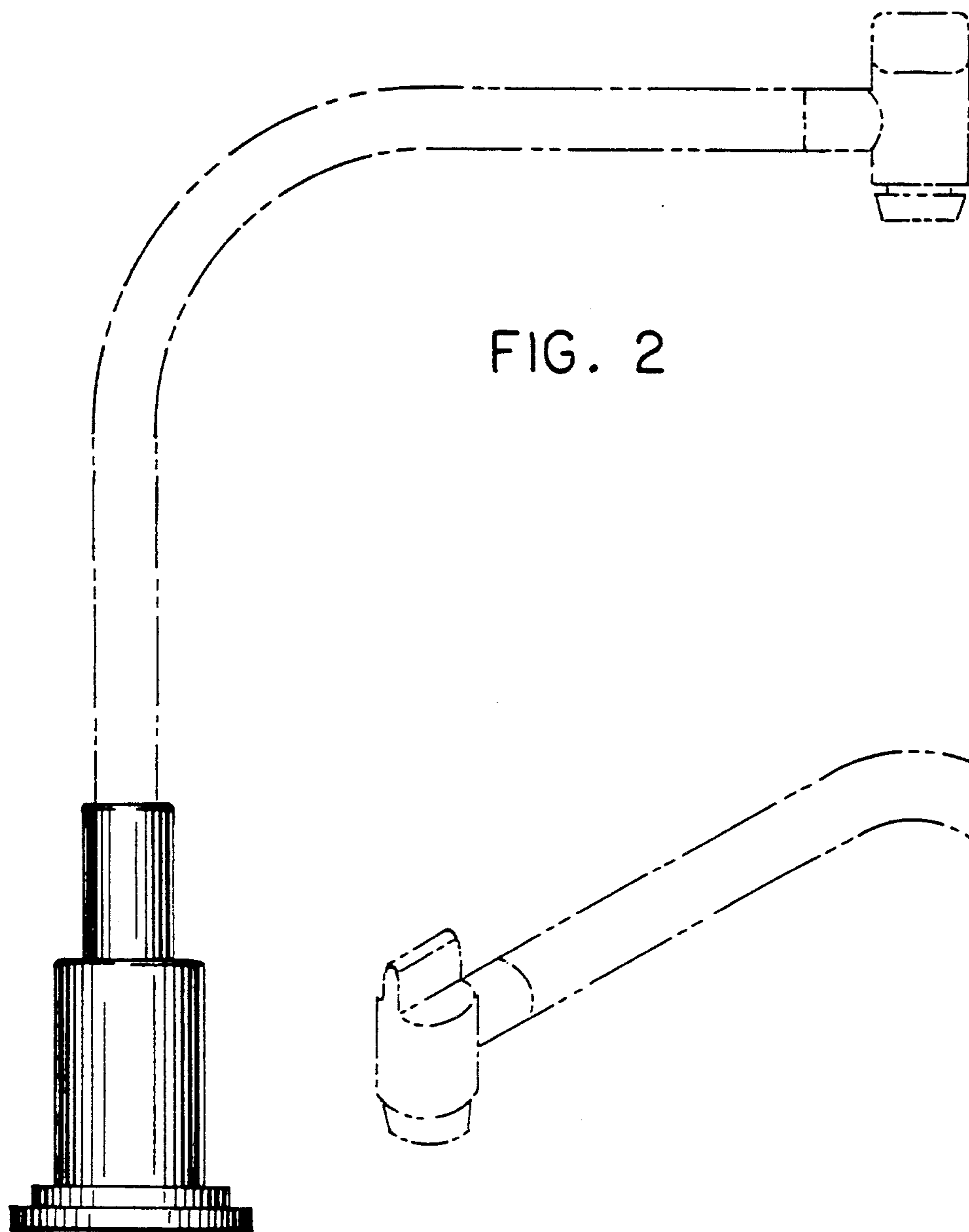


FIG. 2

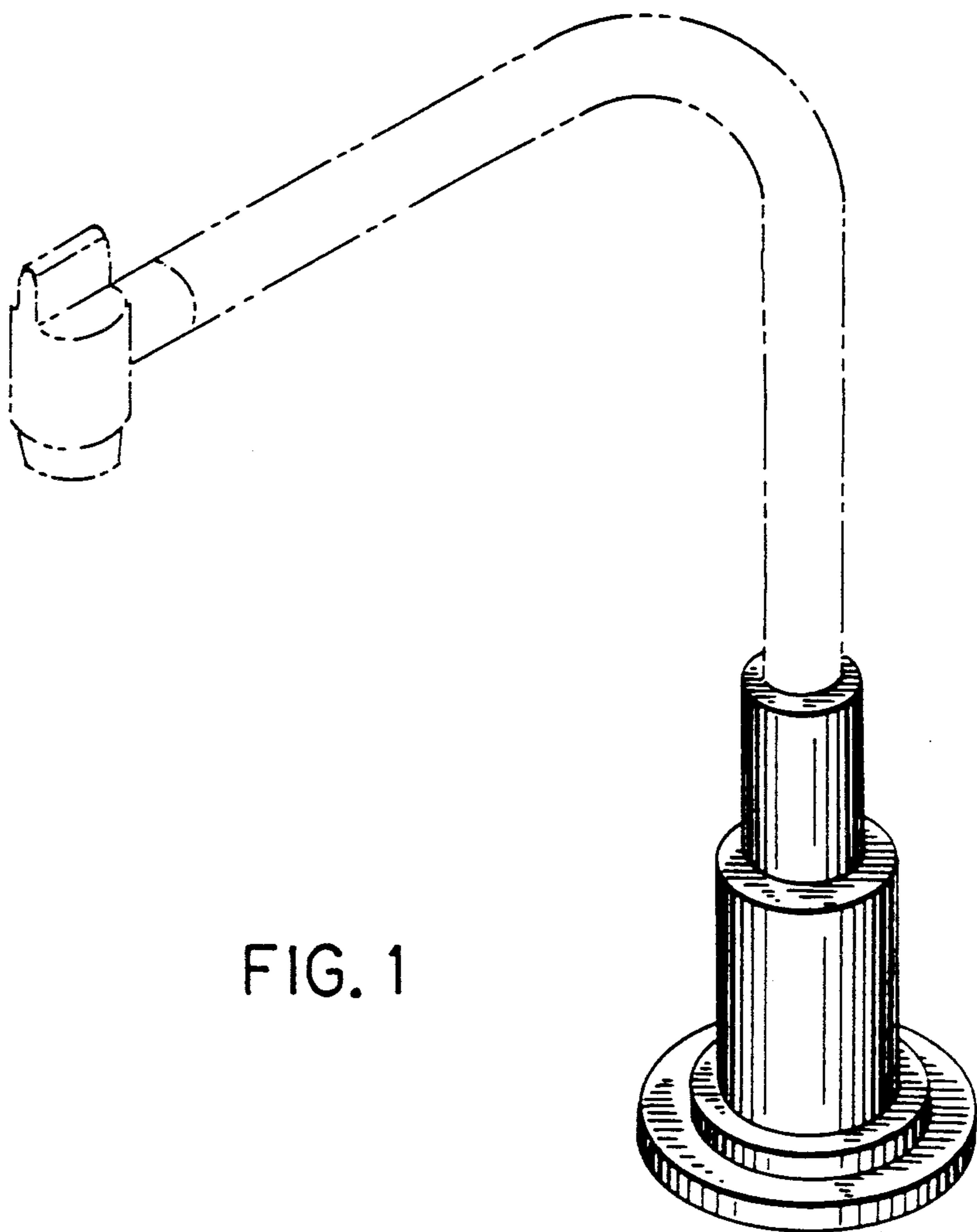


FIG. 1

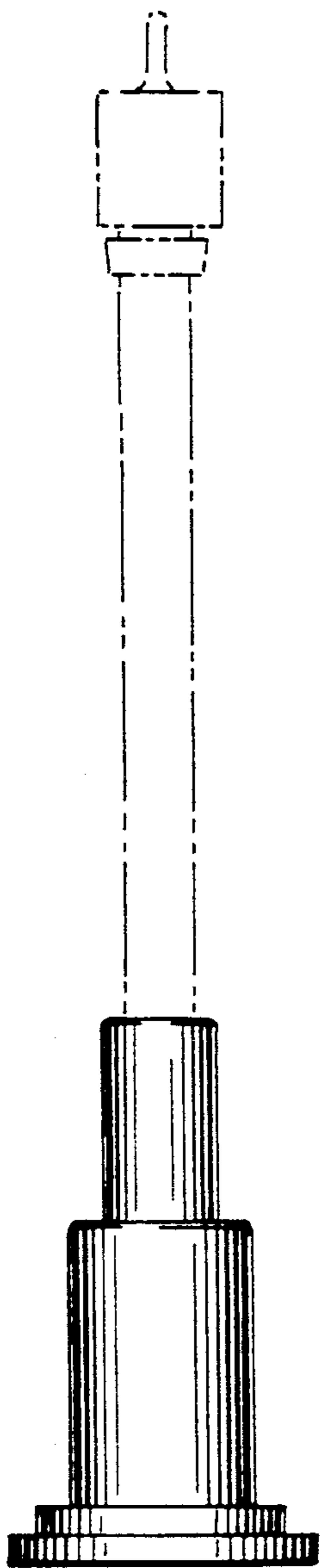


FIG. 3

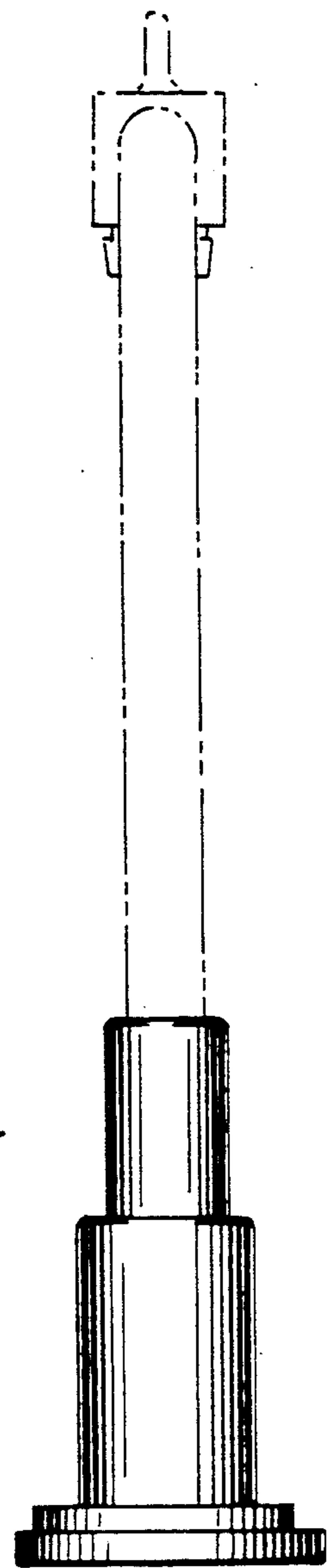


FIG. 4

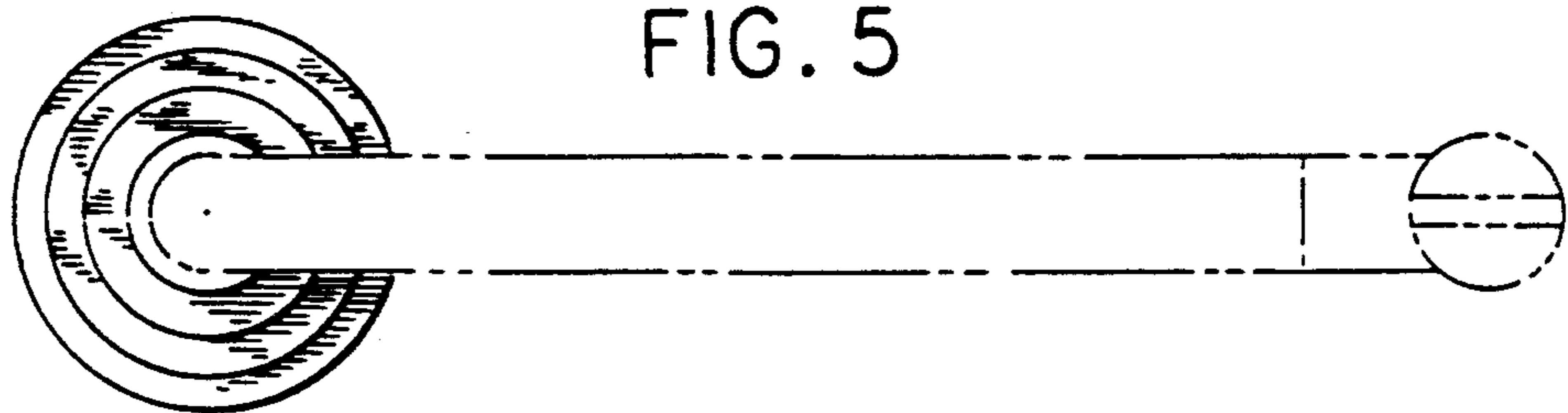


FIG. 5

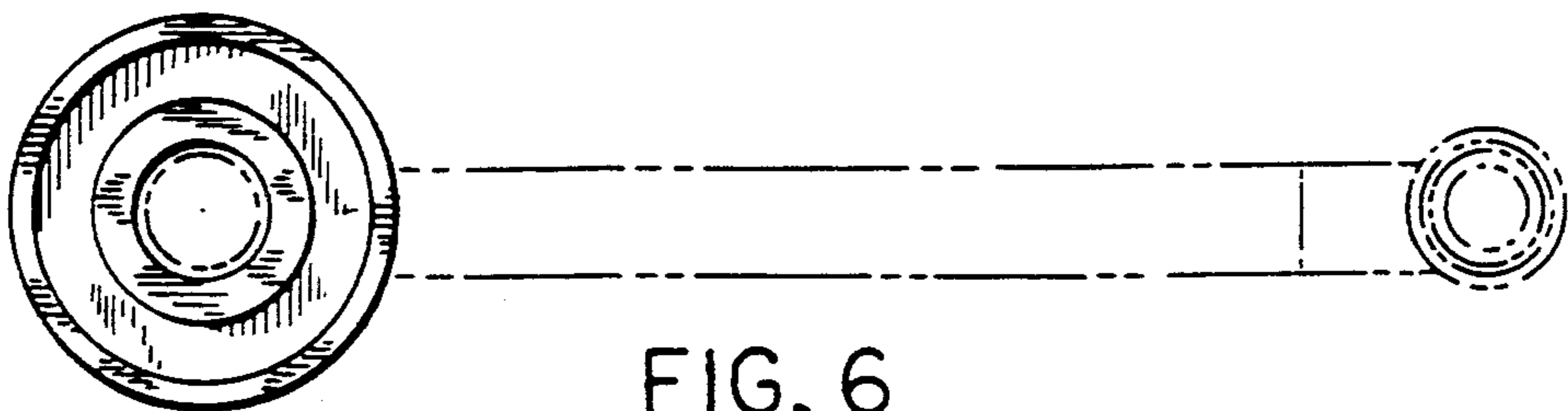


FIG. 6