

[54] **COMBINED HANDLE AND ESCUTCHEON**
[75] **Inventor: Herbert V. Kohler, Jr., Kohler, Wis.**
[73] **Assignee: Kohler Co., Kohler, Wis.**
[**] **Term: 14 Years**
[21] **Appl. No.: 144,439**
[22] **Filed: Jan. 12, 1988**
[52] **U.S. Cl. D23/254**
[58] **Field of Search D23/238-243,**
D23/250-254; D8/300, 307-312; 4/191, 192;
16/121; 137/801

[56] **References Cited**

U.S. PATENT DOCUMENTS

- D. 238,549 1/1976 Fischer D8/307
- D. 260,478 9/1981 Belaiche D8/307 X
- D. 283,785 5/1986 Belaiche D8/308
- D. 290,577 6/1987 Belaiche D8/305
- D. 296,815 7/1988 Jans D23/252
- D. 297,662 9/1988 Jans D23/254
- D. 299,109 12/1988 Jans D8/305

OTHER PUBLICATIONS

Domestic Engineering, May 1982, p. 58, top center item.

Page 26 from a Harden catalog showing the "57 Series", undated.
A page from a Kallista brochure, undated, showing a "Jetstream" Tee Head.
P. 3-2 of the 1987 Kohler Plumbing Products Catalog.
P. 3-3 of the 1987 Kohler Plumbing Products Catalog.
A Paul Associates ad for the "Redondo" Handle.
A Jado ad for the "Evergreen" Handle.
A Jado ad for the "Jetline" Handle.

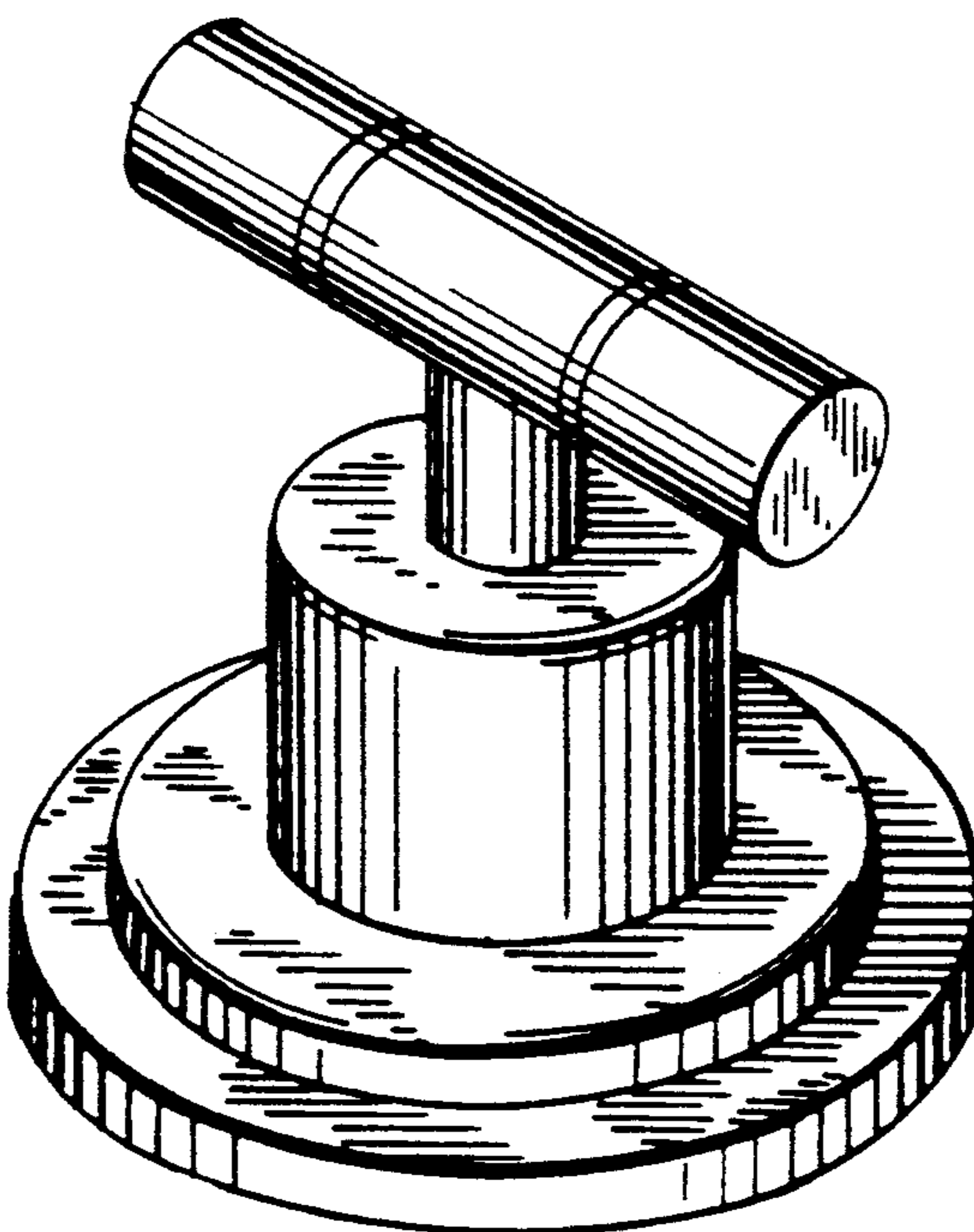
Primary Examiner—James R. Largen
Attorney, Agent, or Firm—Quarles & Brady

[57] **CLAIM**

The ornamental design for a combined handle and escutcheon, as shown and described.

DESCRIPTION

FIG. 1 is a perspective view taken from the top, front and right side of a combined handle and escutcheon showing my new design;
FIG. 2 is a front elevational view thereof, the rear being the same as the front shown;
FIG. 3 is a left side elevational view thereof, the right side being a mirror image of the left side shown;
FIG. 4 is a top plan view thereof; and
FIG. 5 is a bottom plan view thereof.



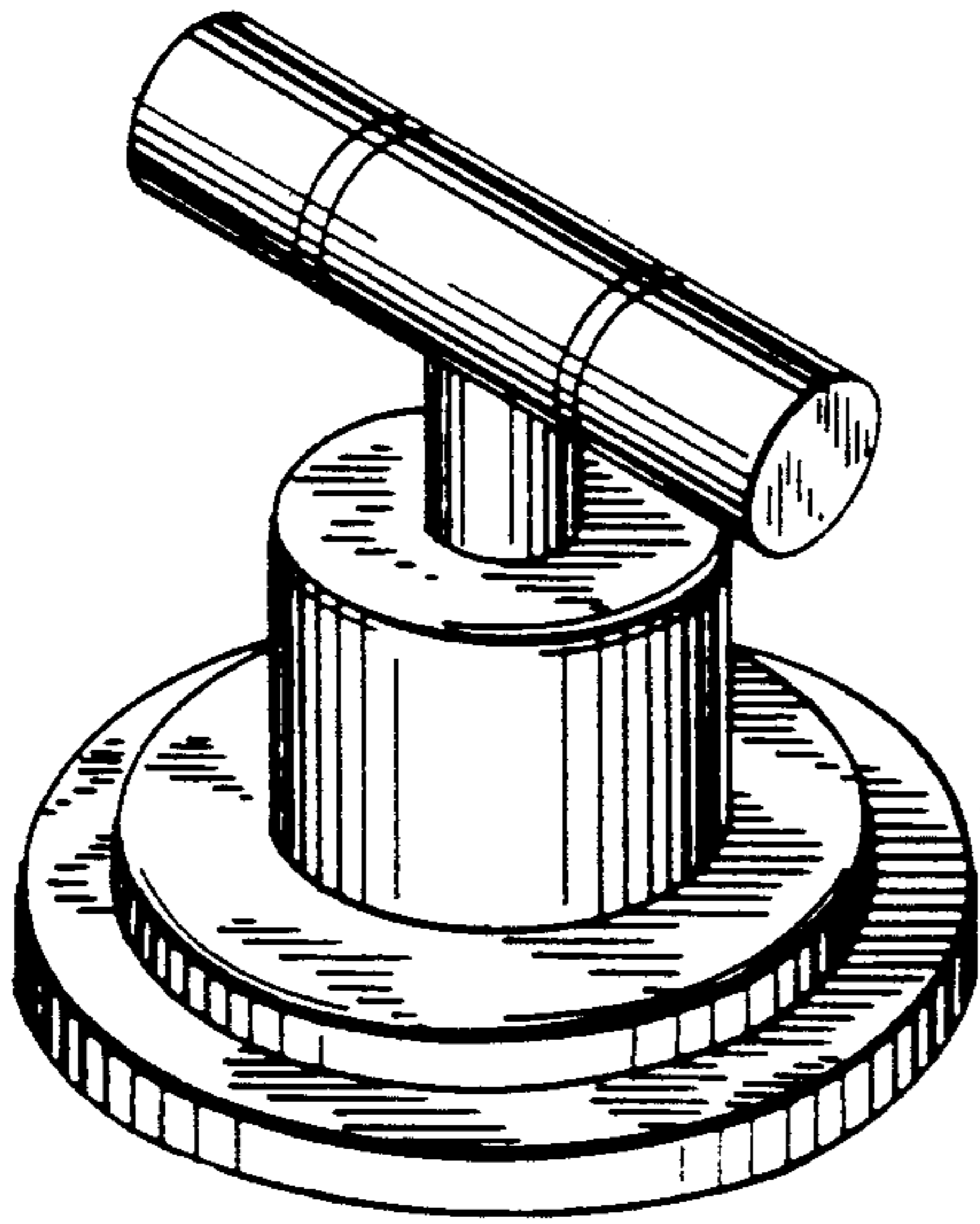


FIG. 1

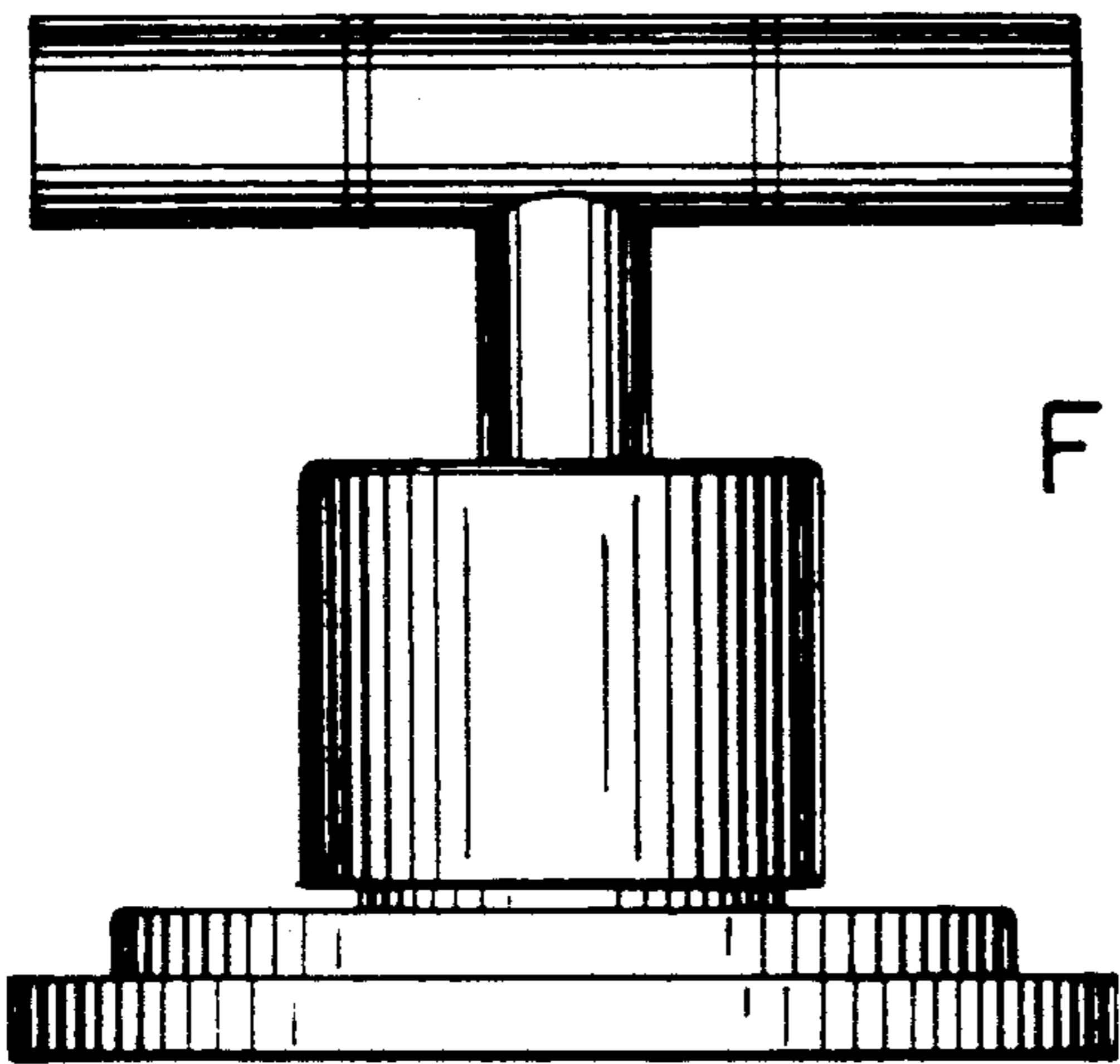


FIG. 2

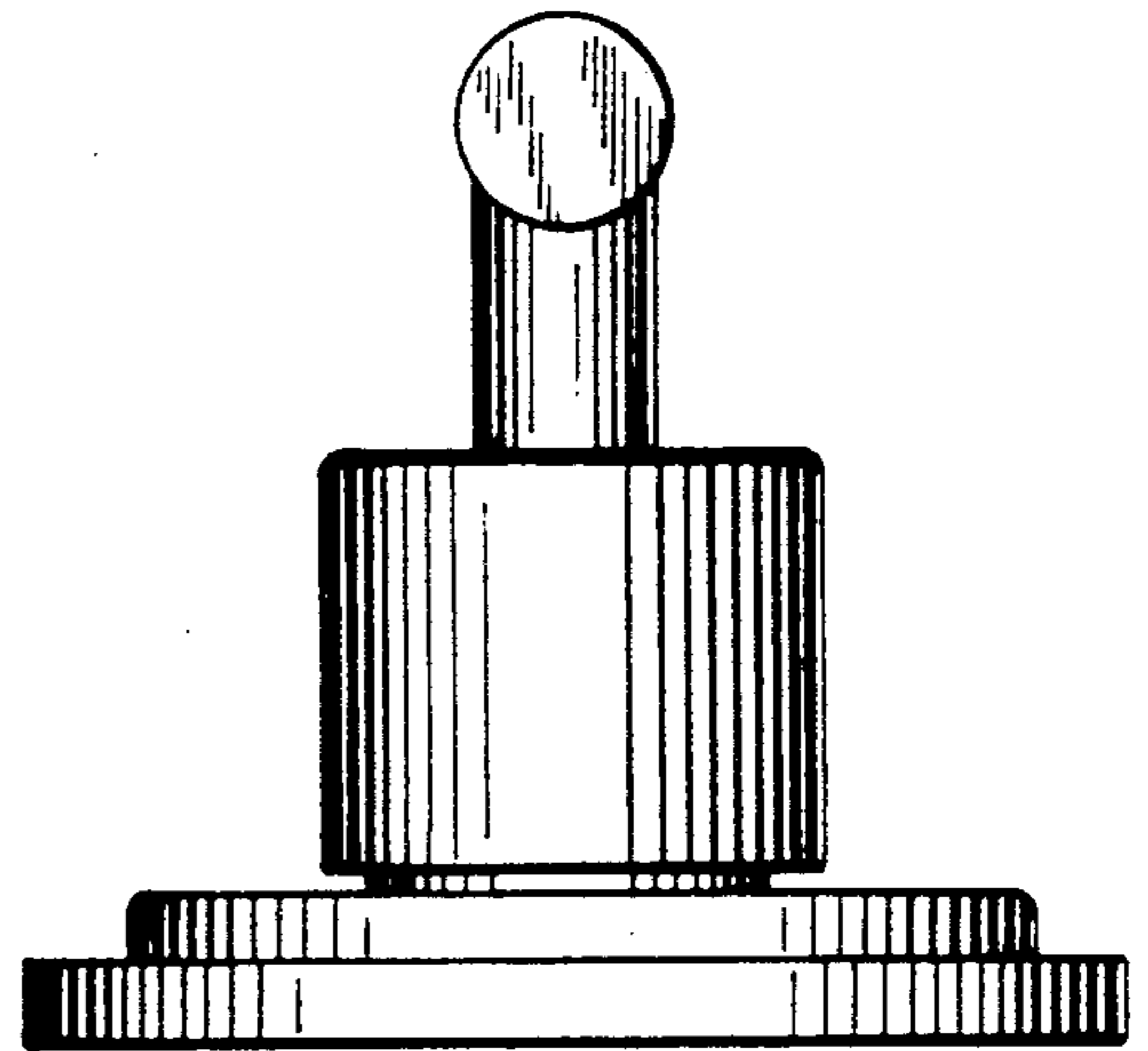


FIG. 3

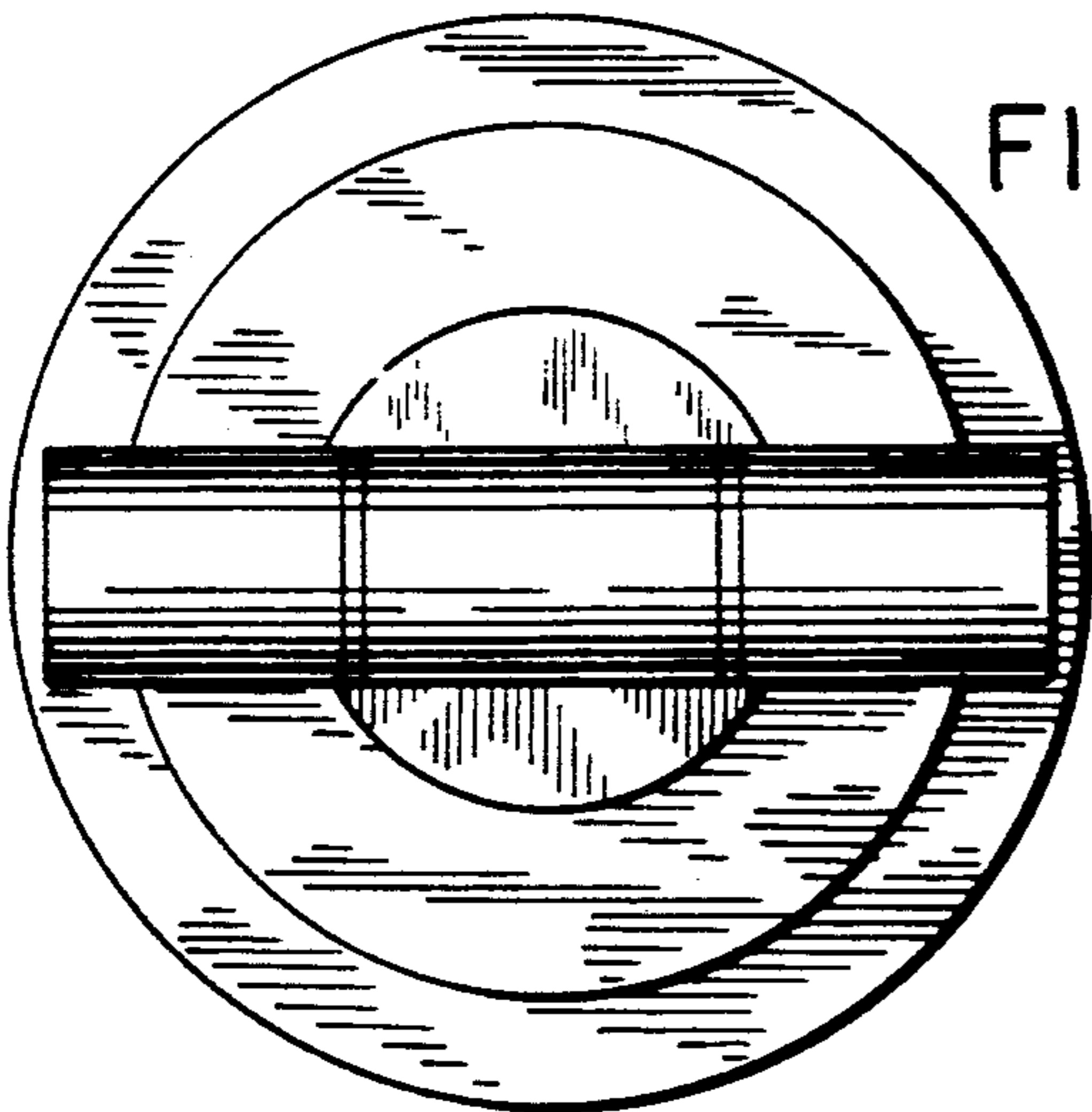


FIG. 4

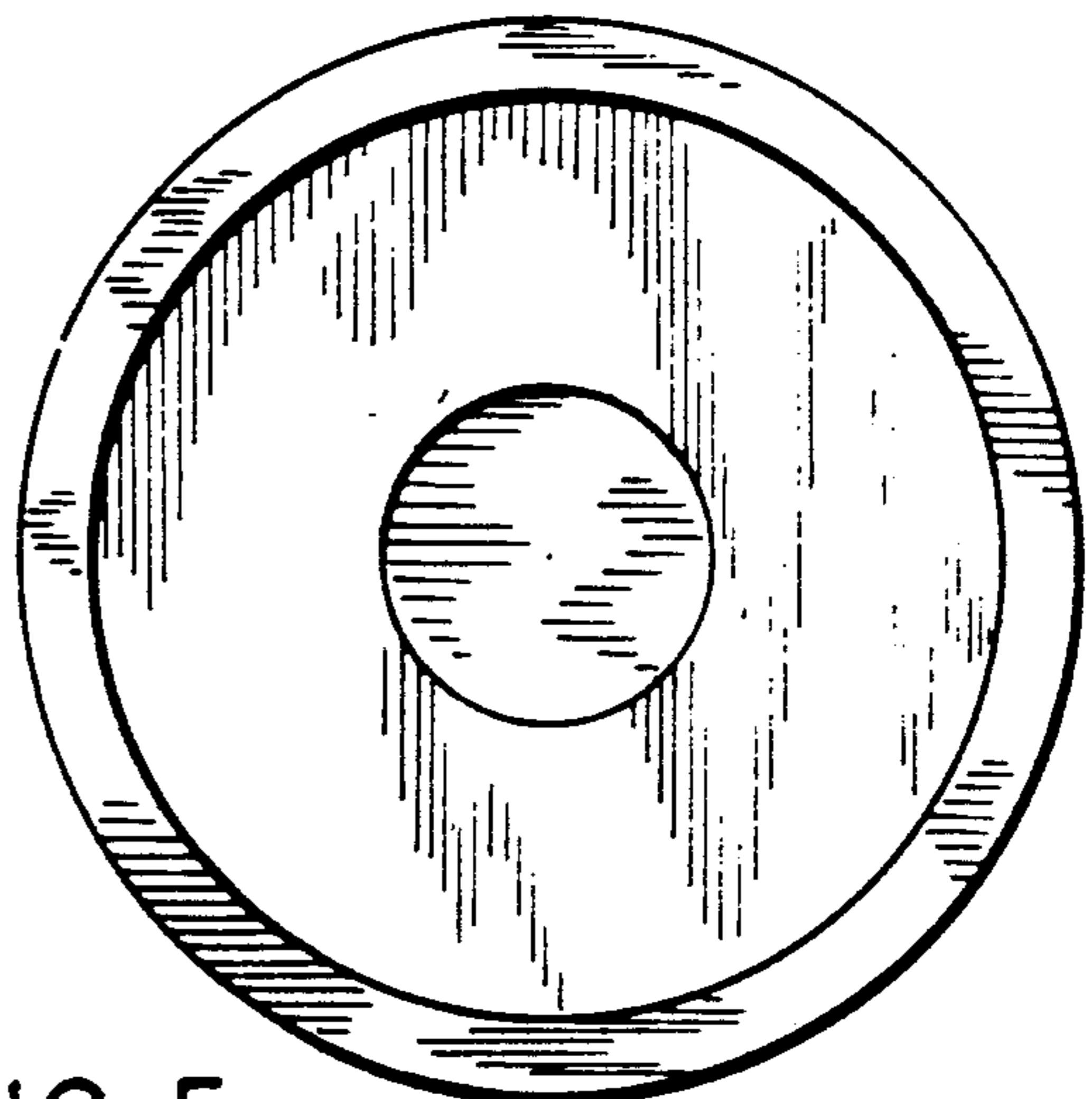


FIG. 5