

[54] HORTICULTURAL SPRAYER

[76] Inventor: Horace Hagedorn, Old House La.,
Port Washington, N.Y. 11050

[**] Term: 14 Years

[21] Appl. No.: 506,353

[22] Filed: Apr. 6, 1990

[52] U.S. Cl. D23/225

[58] Field of Search D23/213, 223-227;
239/301, 332, 373, 394, 414-415, 525-528, 532,
554, 556

[56] References Cited

U.S. PATENT DOCUMENTS

D. 235,063	5/1975	Gunzel	D23/225
D. 251,793	5/1979	DeGelder	D23/225
D. 281,900	12/1985	Gunzel, Jr. et al.	D23/225
D. 298,848	12/1988	Chon et al.	D23/213

OTHER PUBLICATIONS

Melnor Catalog, Hose End Sprayers, p. 23, May 1986.

Primary Examiner—Susan J. Lucas

Assistant Examiner—M. H. Tung

[57] CLAIM

The ornamental design for a horticultural sprayer, as shown and described.

DESCRIPTION

FIG. 1 is a front perspective view of a horticultural sprayer showing my new design, on an enlarged scale; FIG. 2 is a top plan view thereof; FIG. 3 is a left side elevational view thereof; FIG. 4 is a right side elevational view thereof; FIG. 5 is a front elevational view thereof, the rear view being a mirror image; FIG. 6 is a bottom plan view thereof.

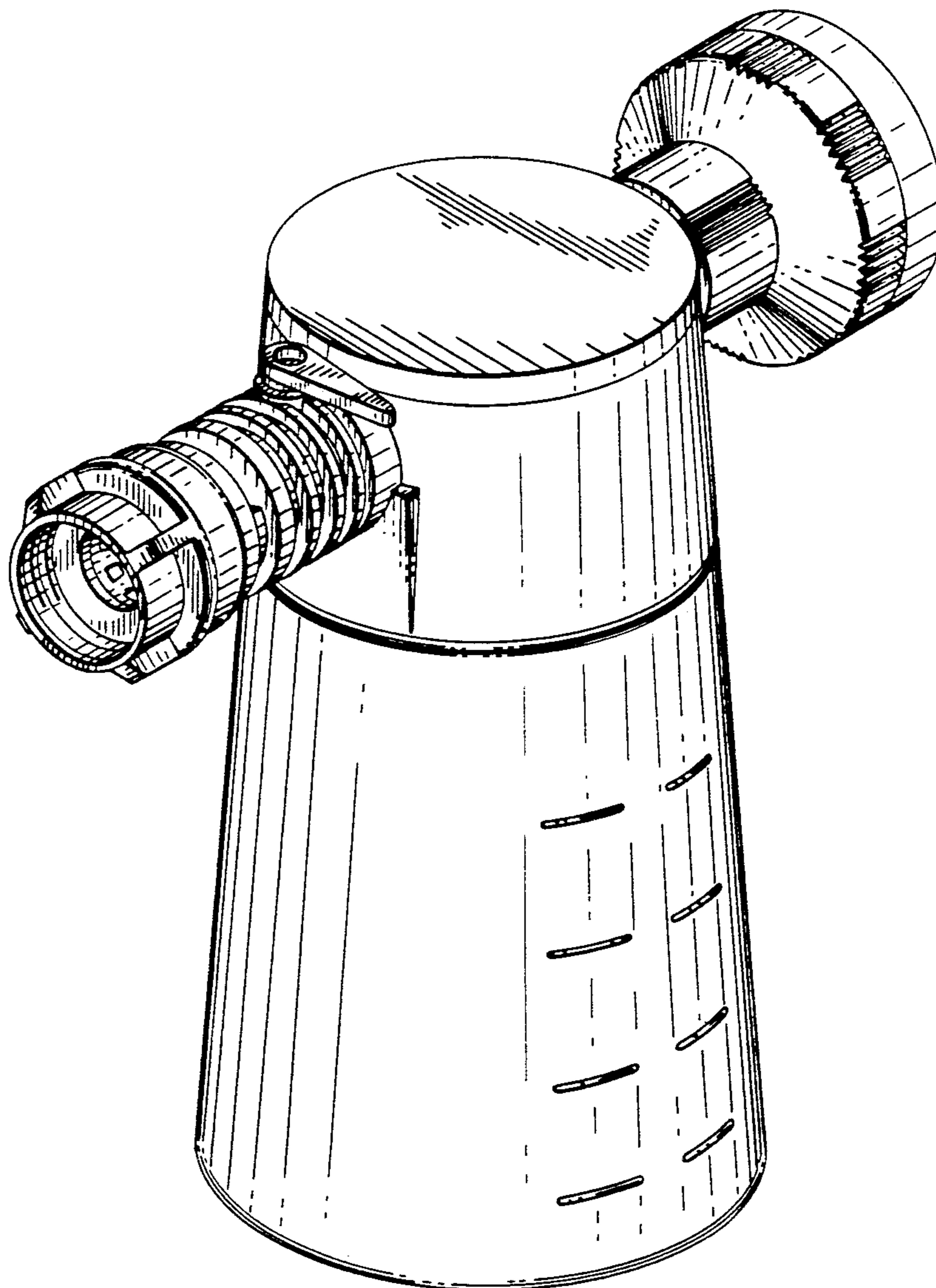


FIG. 1

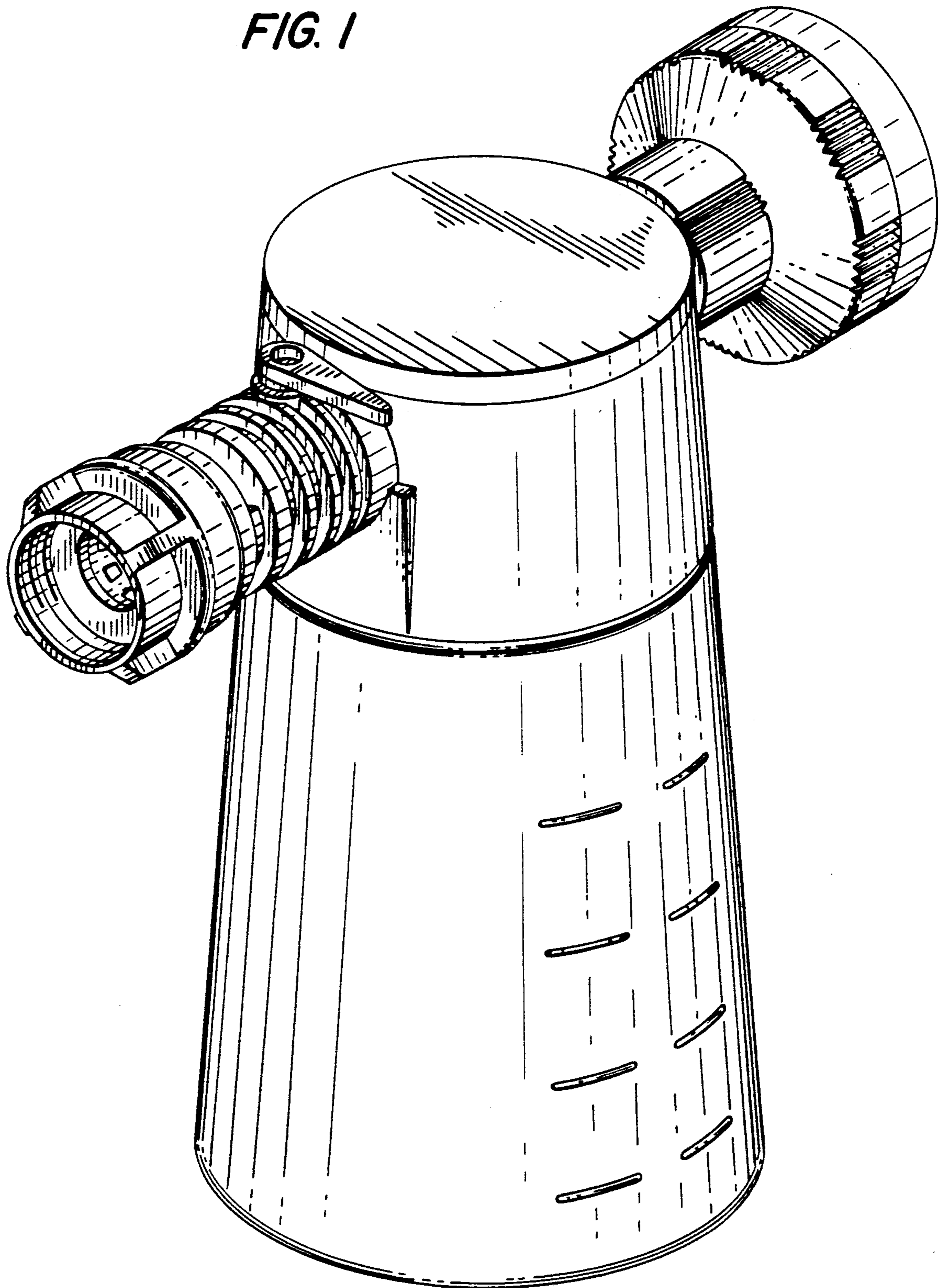


FIG. 2

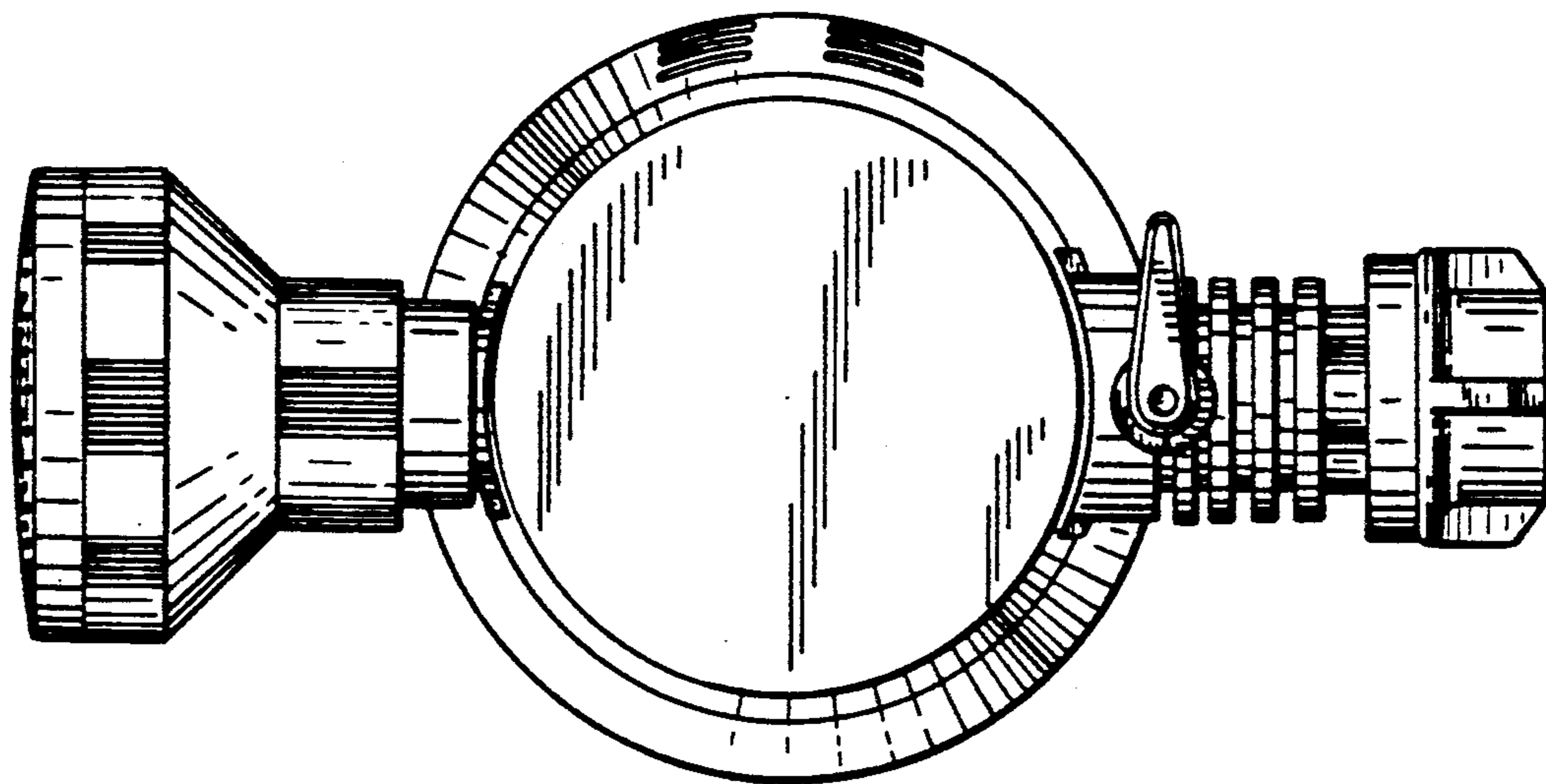


FIG. 3

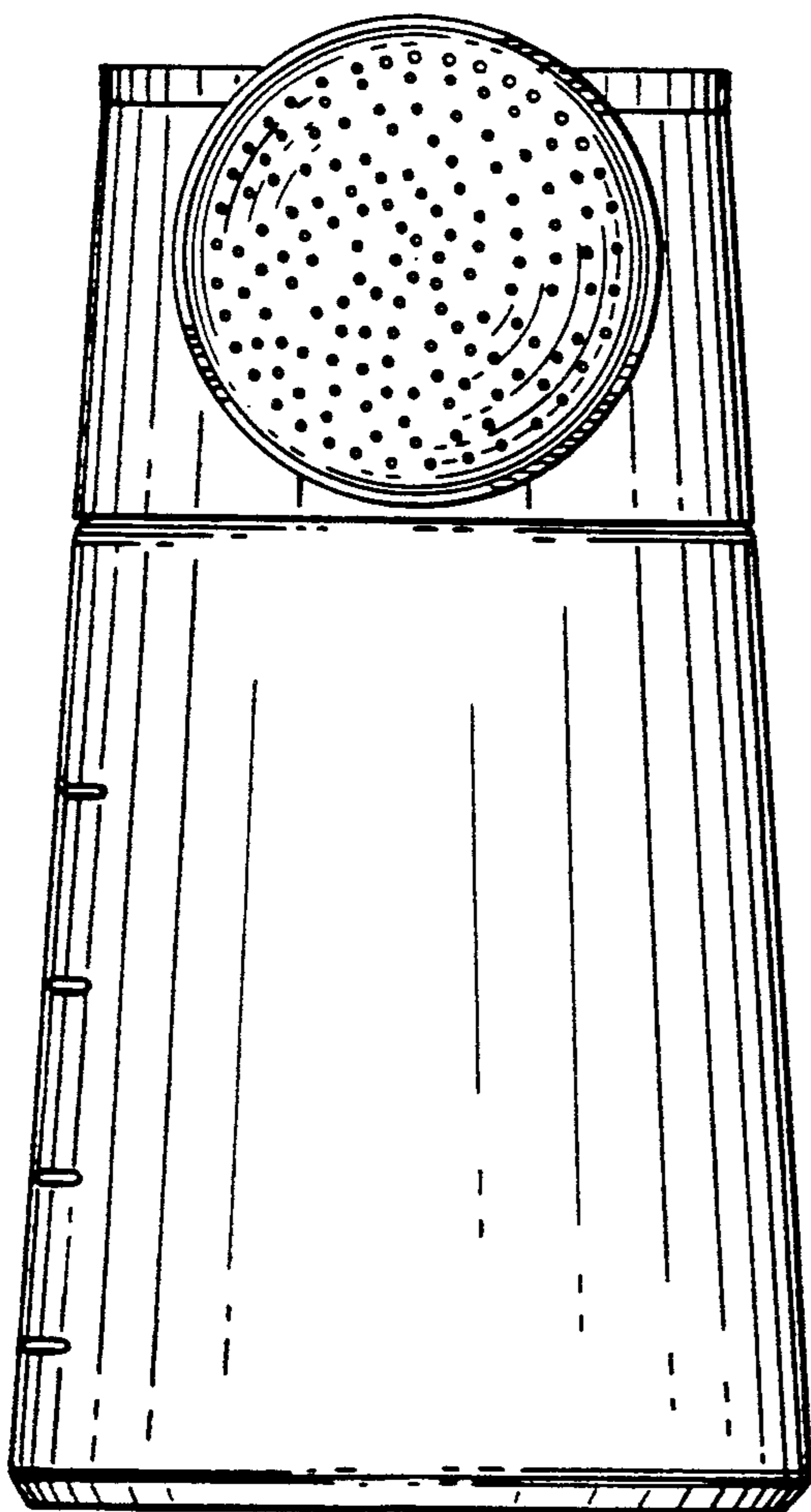


FIG. 4

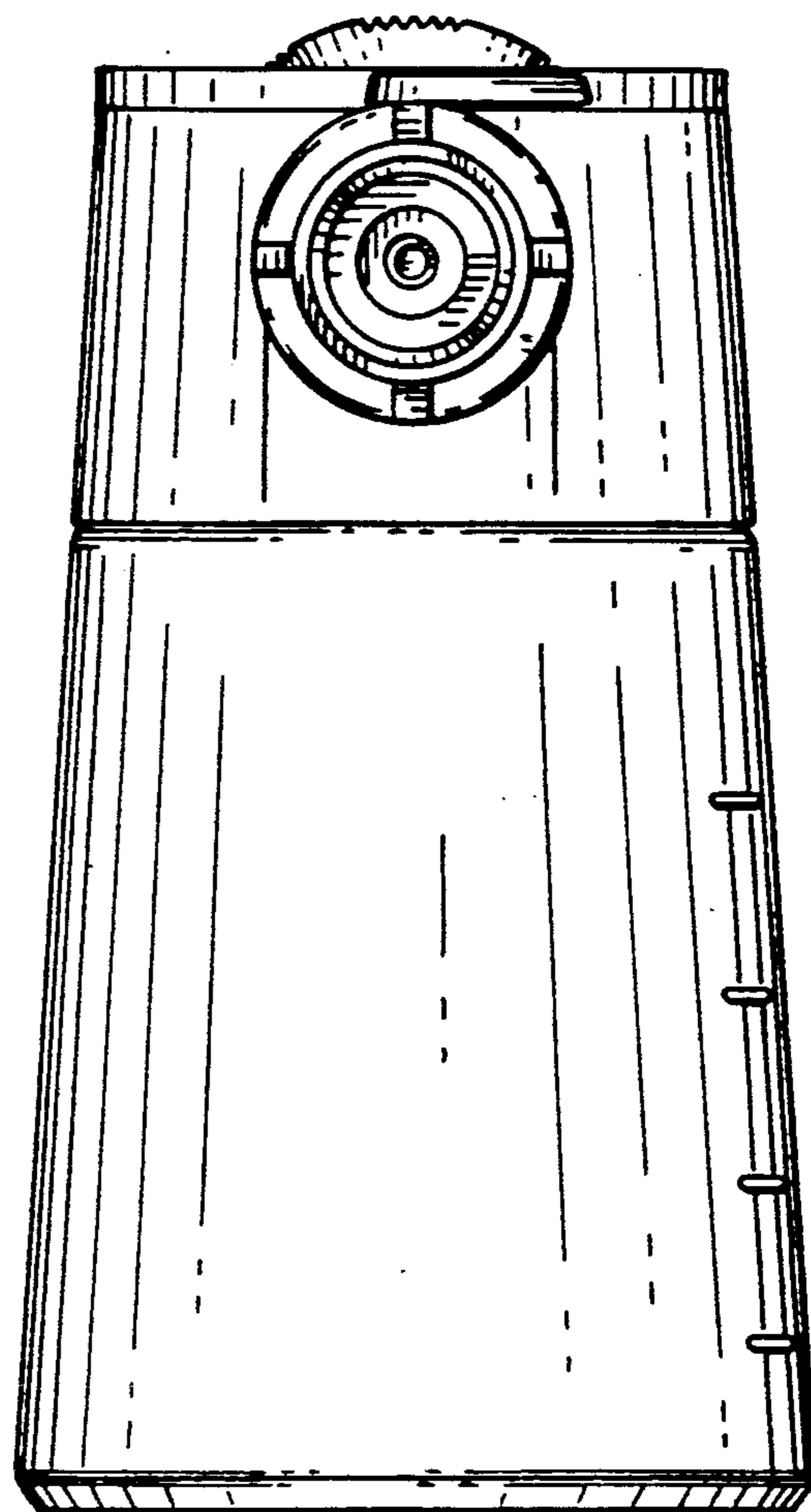


FIG. 5

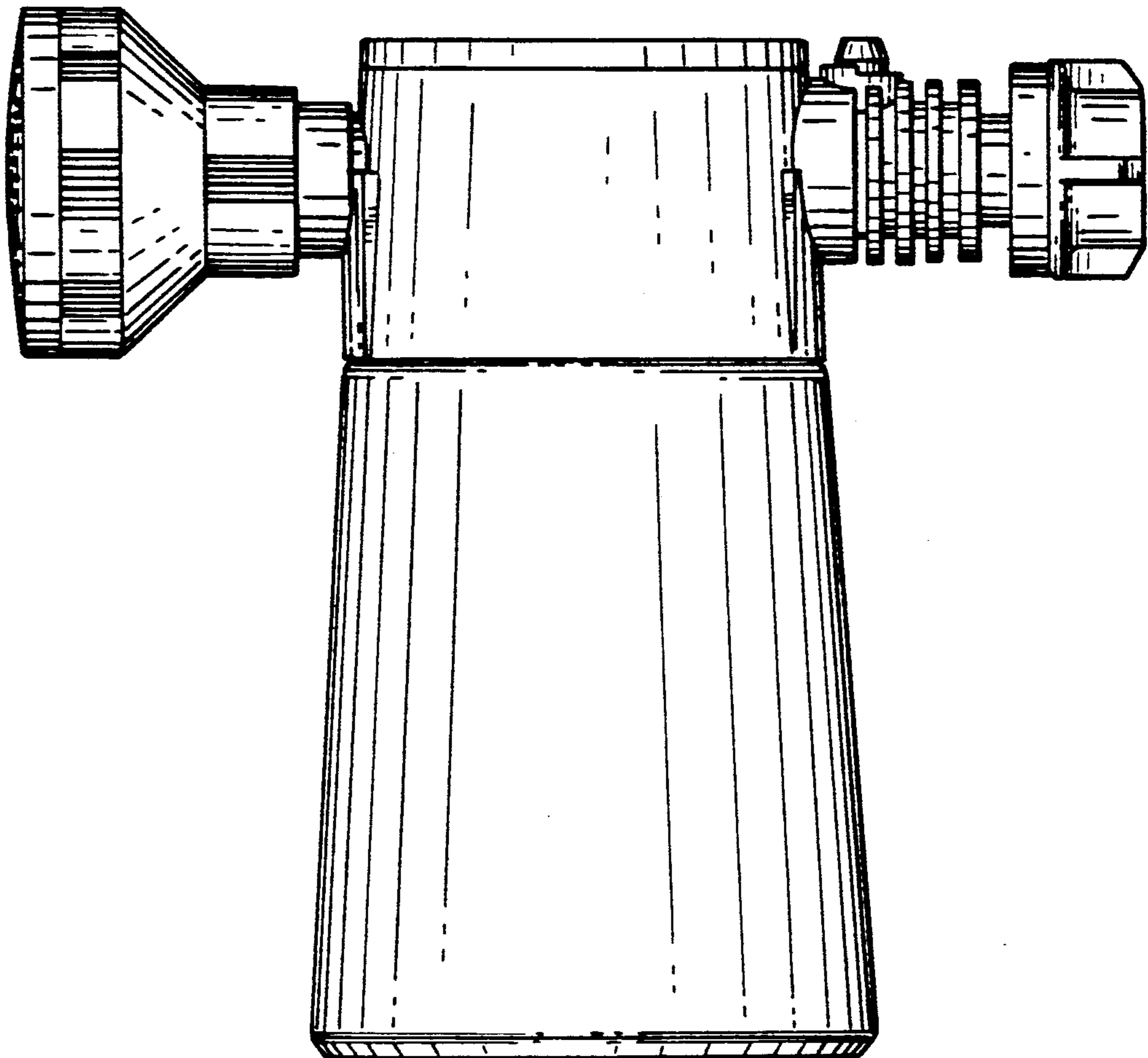


FIG. 6

