

[54] TOP CAP OF A QUICK-CHANGE FILTER CARTRIDGE

[75] Inventors: Raymond M. Petrucci, Middlebury; Bruce G. Taylor, Kensington; Edward C. Giordano, Manchester, all of Conn.; James M. Padilla, Covina Heights; Carl Palmer, La Habra Heights, both of Calif.

[73] Assignee: Cuno Incorporated, Meriden, Conn.

[\*\*] Term: 14 Years

[21] Appl. No.: 128,503

[22] Filed: Dec. 3, 1987

Related U.S. Application Data

[63] Continuation-in-part of Ser. No. 822,550, Jan. 27, 1986.  
[52] U.S. Cl. .... D23/209  
[58] Field of Search ..... D23/207-210; 210/136, 238, 282, 234, 440, 444, 446, 448, 457, 492

[56] References Cited  
U.S. PATENT DOCUMENTS

D. 188,688	8/1960	Sicard .....	D23/209
D. 220,263	3/1971	Hughes .....	D23/209
D. 221,850	9/1971	Anderson .....	D23/209
D. 243,767	3/1977	Rutherford .....	D23/207
D. 251,380	3/1979	Casamitjana .....	D23/209
3,237,770	3/1966	Humbert, Jr. ....	210/94

Primary Examiner—Wallace R. Burke  
Assistant Examiner—M. H. Tung .

[57] CLAIM

The ornamental design for a top cap of a quick-change filter cartridge, as shown and described.

DESCRIPTION

FIG. 1 is a top, front, left side perspective view of a top cap of a quick-change filter cartridge showing our new design;  
FIG. 2 is a top plan view thereof;  
FIG. 3 is a front elevational view thereof, the rear being identical;  
FIG. 4 is a left side elevational view thereof, the right side being identical;  
FIG. 5 is a bottom plan view thereof;  
FIG. 6 is a cross-sectional view thereof, taken on line 6—6 of FIG. 2; and  
FIG. 7 is a cross-sectional view thereof, taken on line 7—7 of FIG. 2.

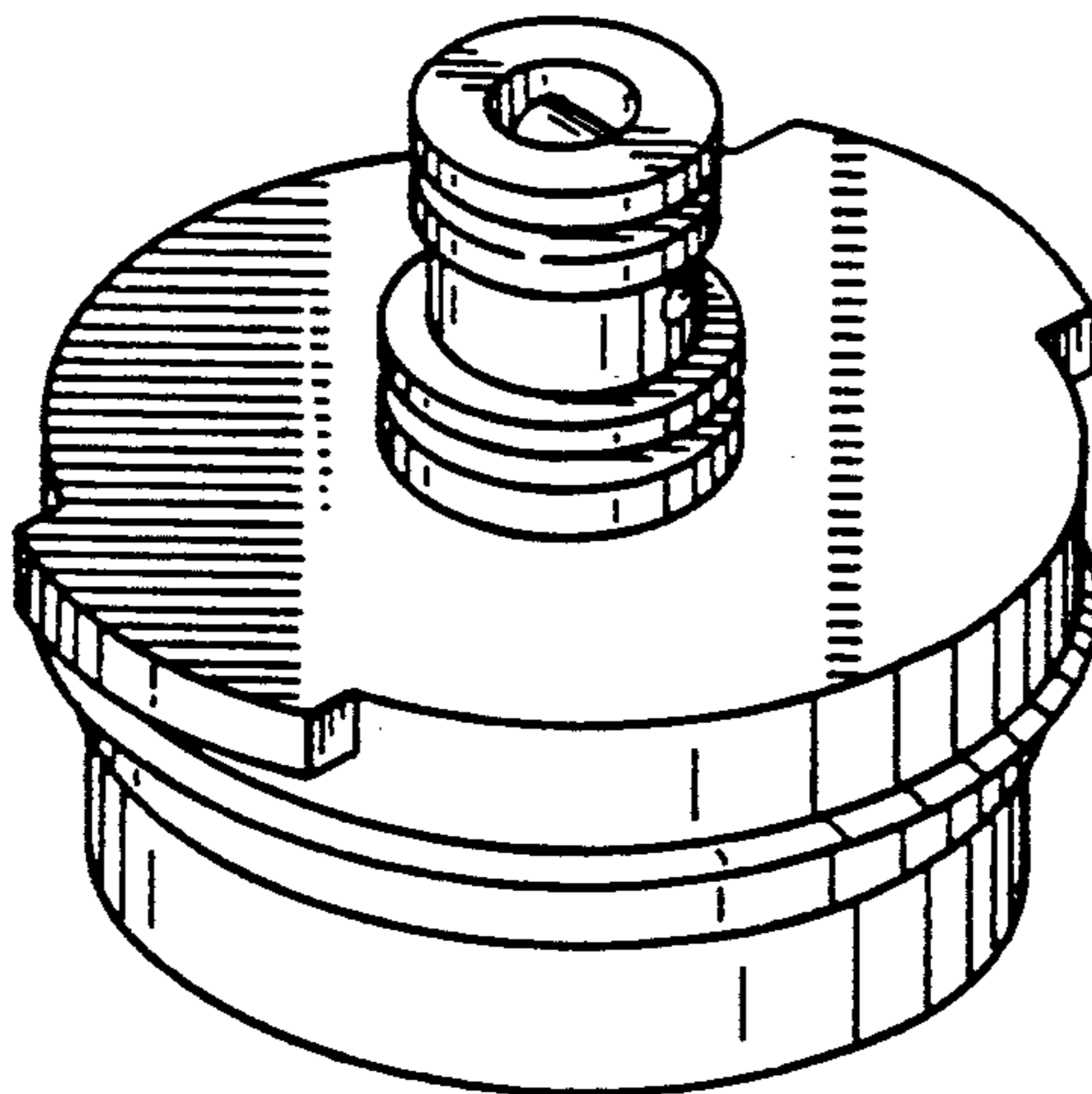


FIG. 1

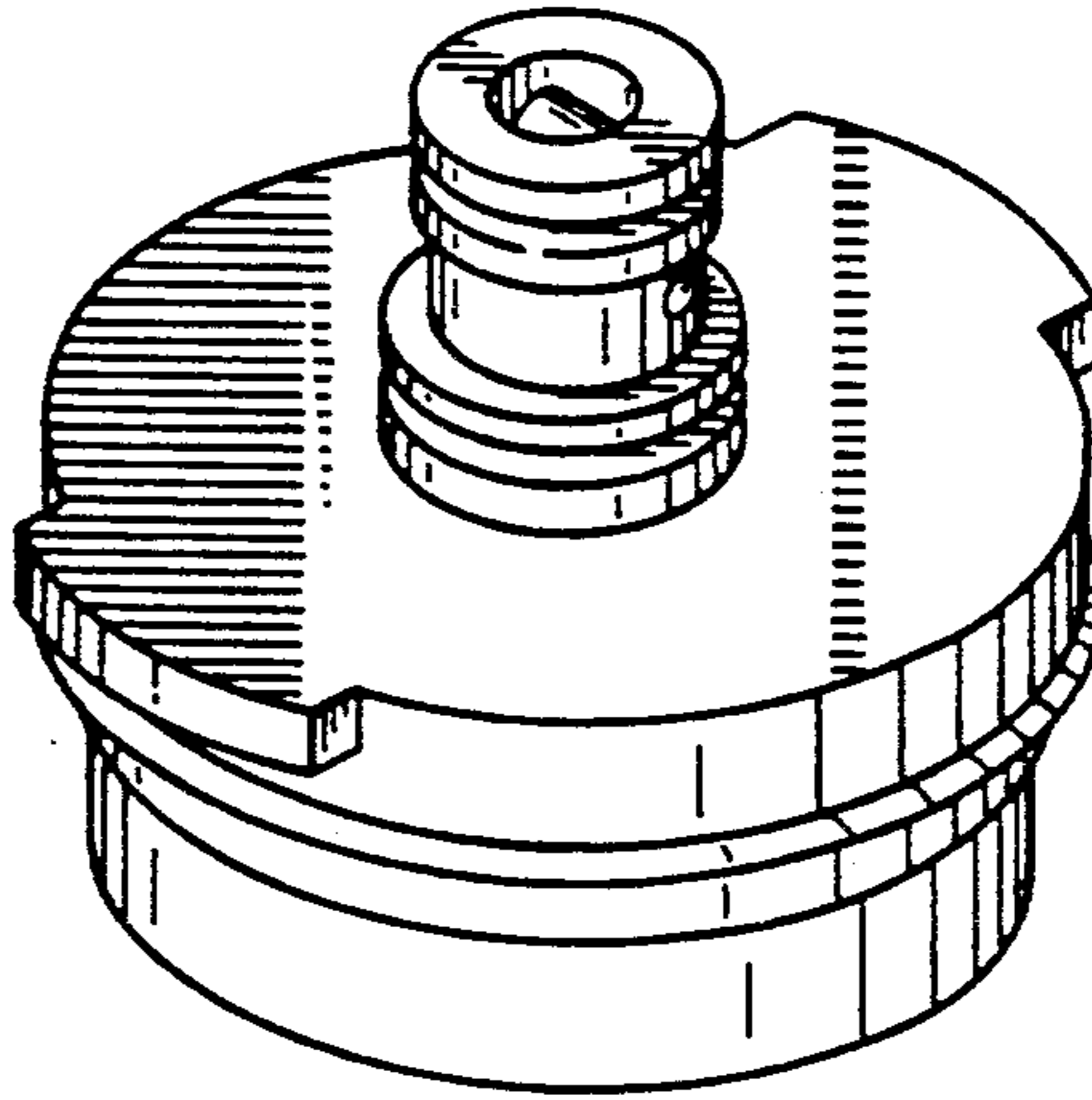


FIG. 2

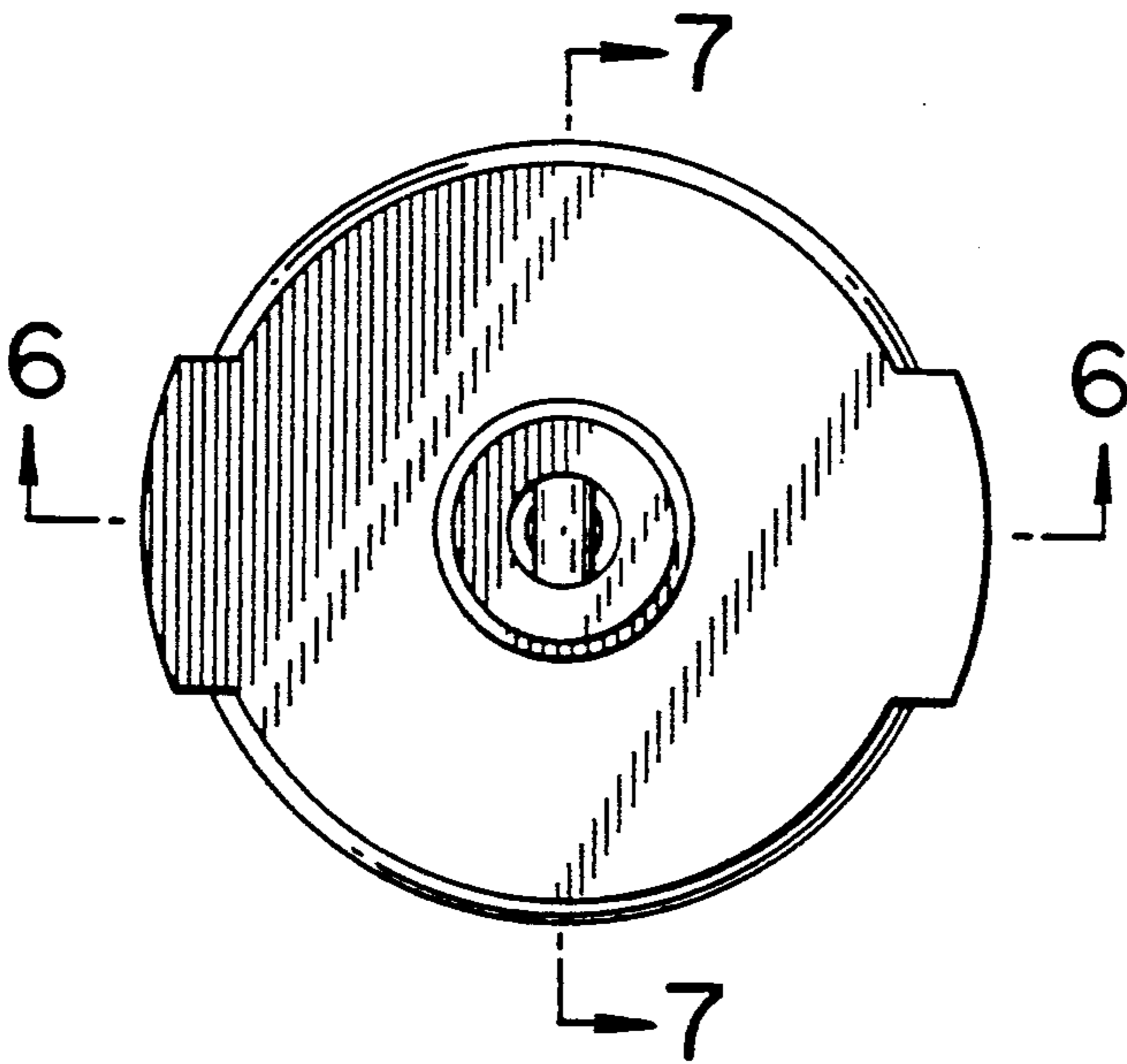


FIG. 3

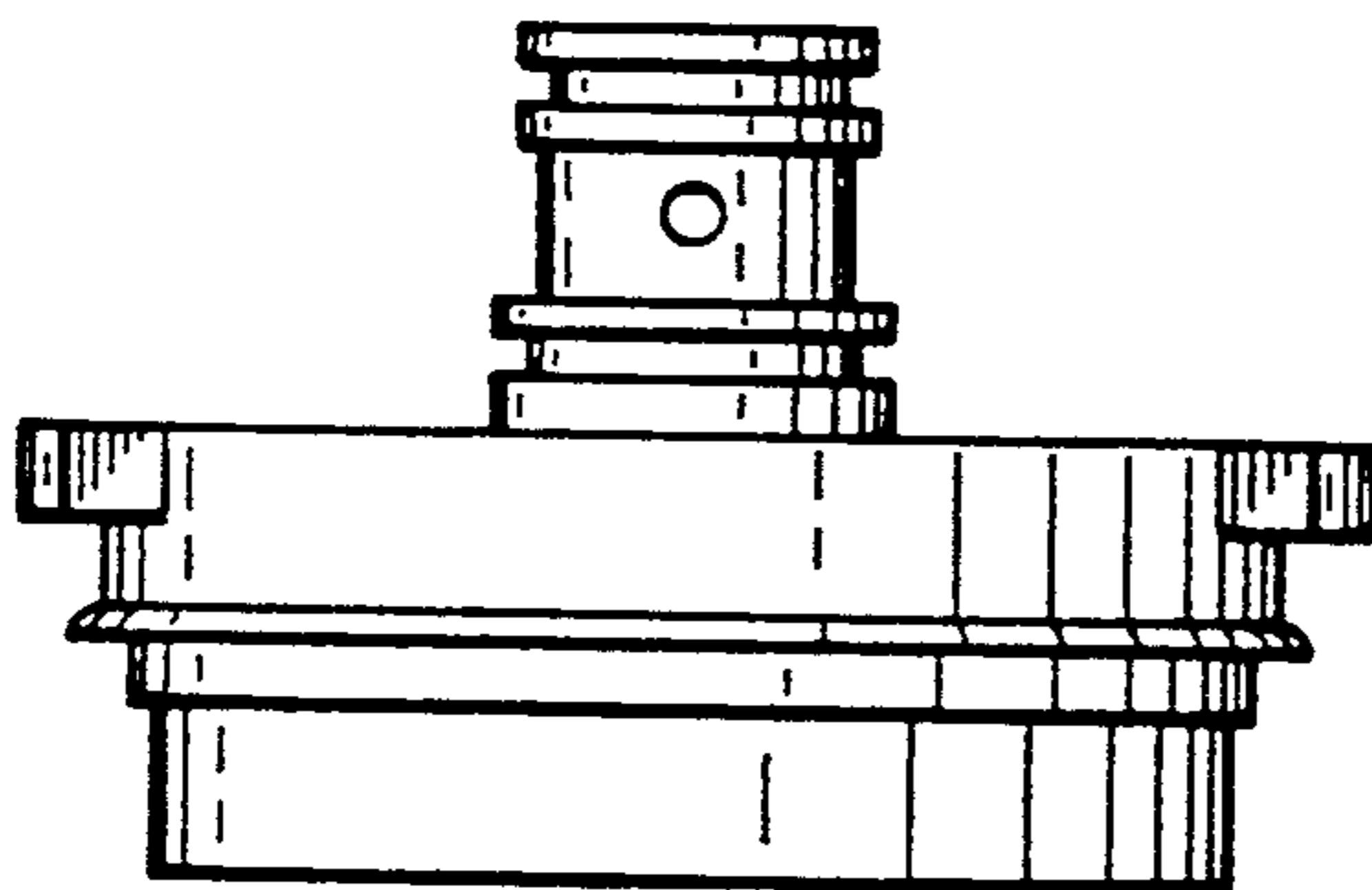


FIG. 4

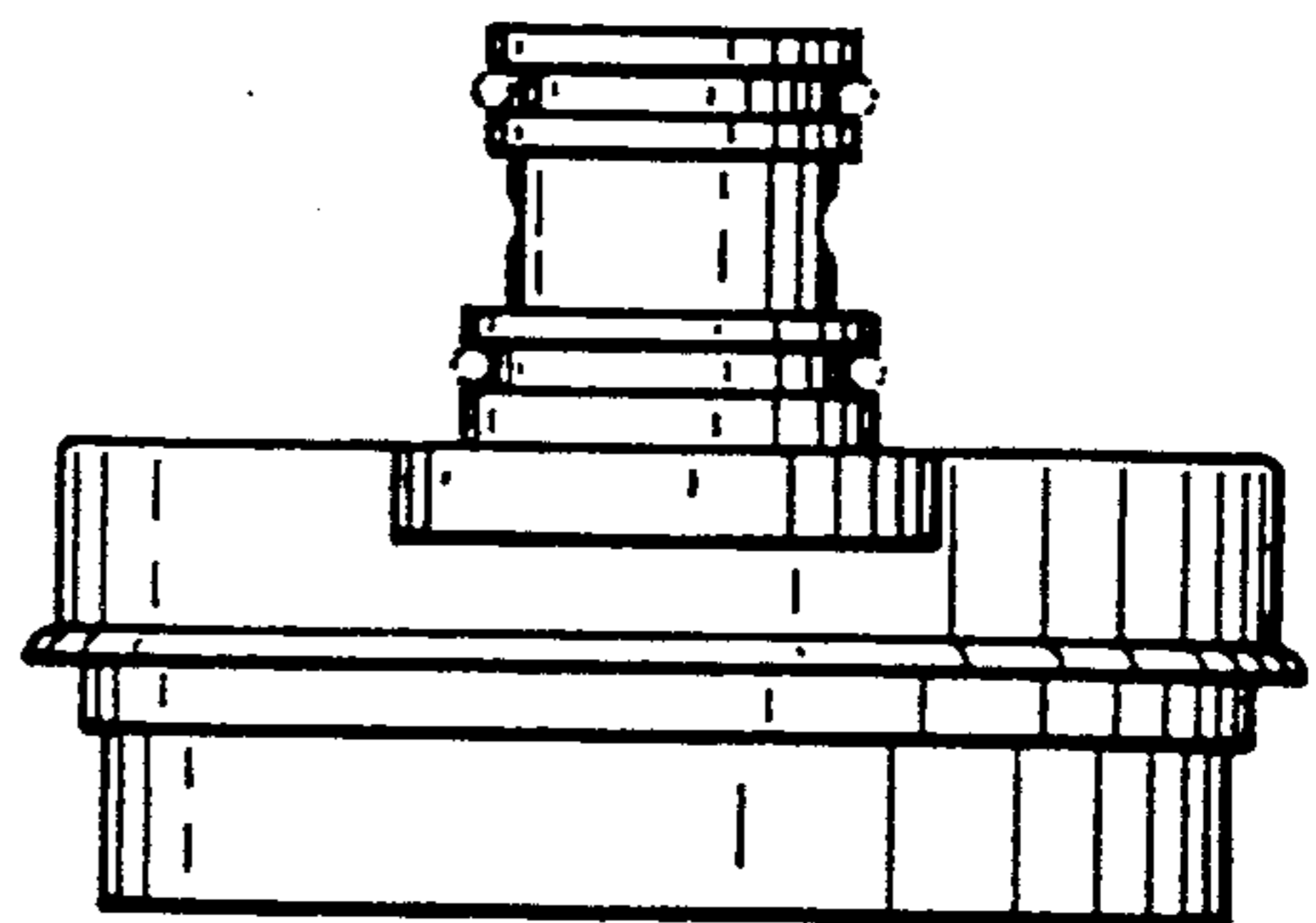


FIG. 5

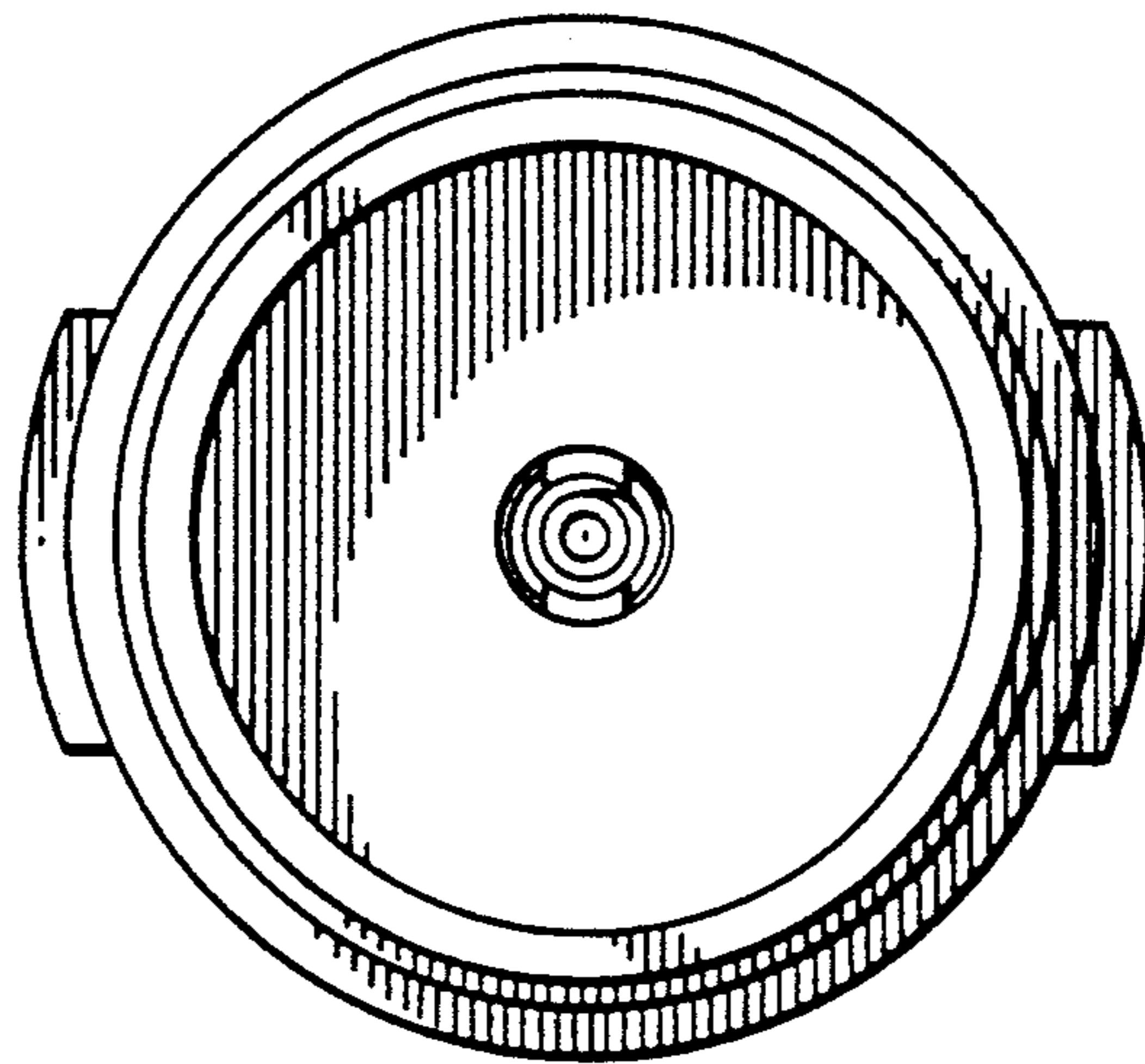


FIG. 6

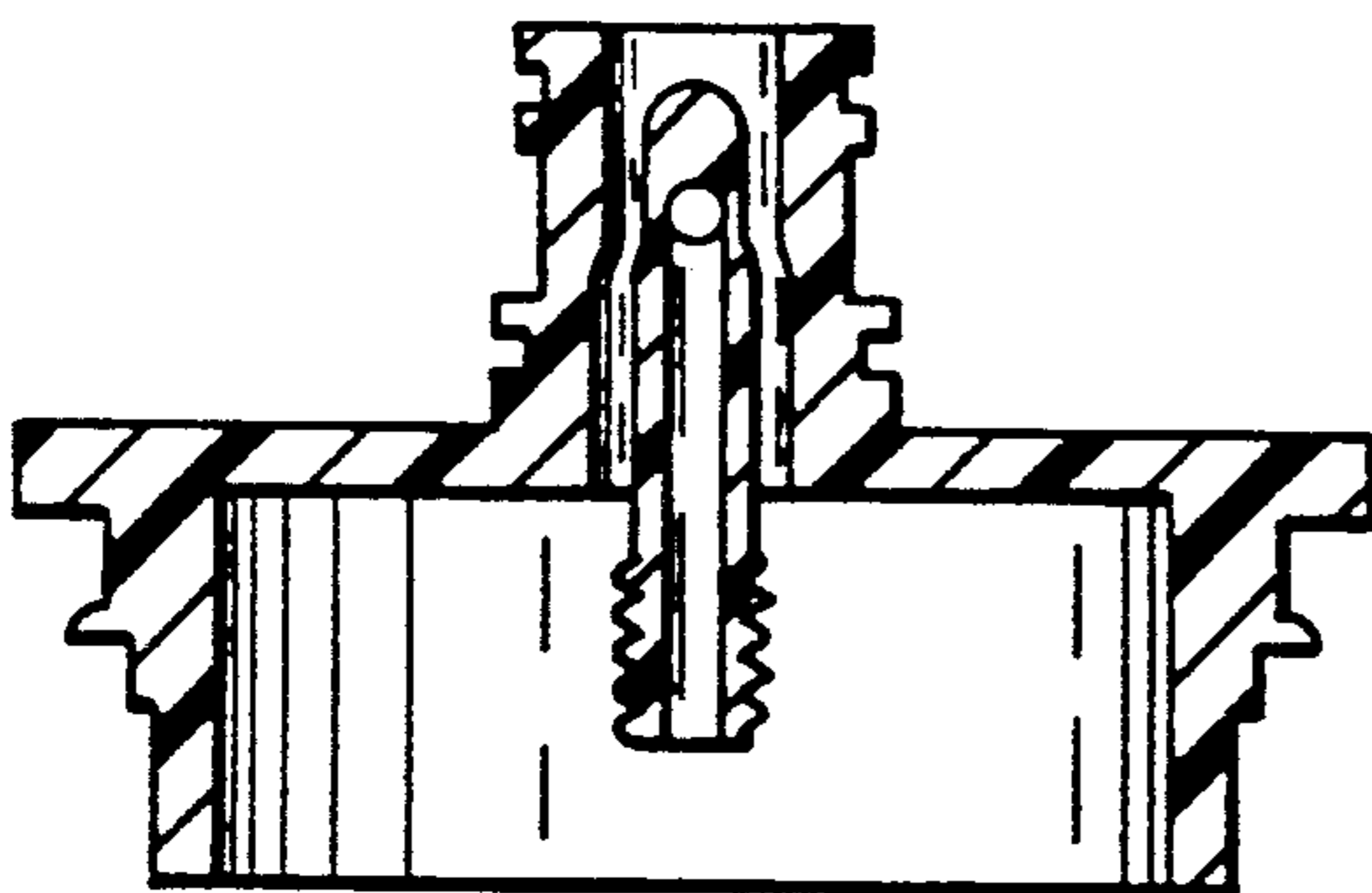


FIG. 7

