

[54] AMMUNITION SPEED LOADER FOR SEMI-AUTOMATIC RIFLES

[76] Inventor: Raymond C. Martin, 9099 Via Vista Dr., Buena Park, Calif. 90620

[**] Term: 14 Years

[21] Appl. No.: 304,414

[22] Filed: Jan. 31, 1989

[52] U.S. Cl. D22/108

[58] Field of Search D22/108; 42/87, 90; 89/46, 33.14

[56] References Cited

U.S. PATENT DOCUMENTS

- 4,466,209 8/1984 Strickland et al. 42/90
- 4,756,110 7/1988 Beltrom 42/87

Primary Examiner—Wallace R. Burke
Assistant Examiner—H. Baynham
Attorney, Agent, or Firm—Leon Gilden

[57] CLAIM

The ornamental design for an ammunition speed loader for semi-automatic rifles, as shown and described.

DESCRIPTION

FIG. 1 is a front elevational view of an ammunition loader for semi-automatic rifles showing my new design;

FIG. 2 is a rear elevational view thereof;

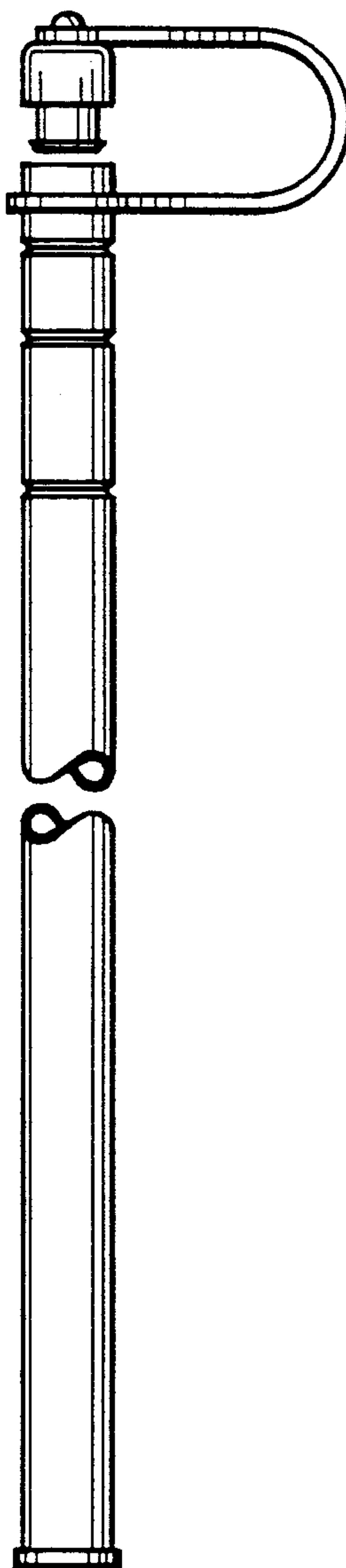
FIG. 3 is a left side elevational view thereof;

FIG. 4 is a right side elevational view thereof;

FIG. 5 is a top plan view thereof; and,

FIG. 6 is a bottom plan view thereof.

The shaft portion of the claimed article is shown broken away to indicate in determinate length.



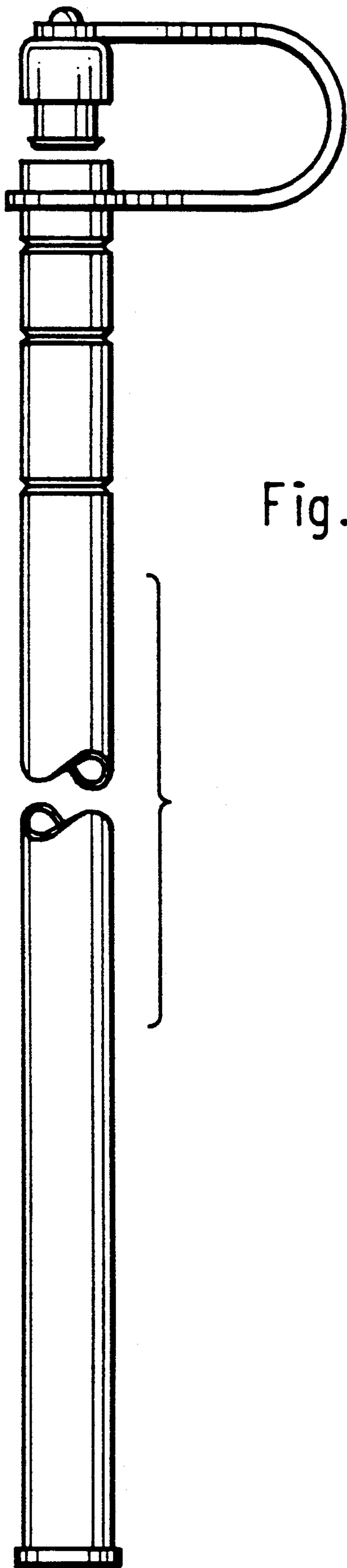


Fig. 1

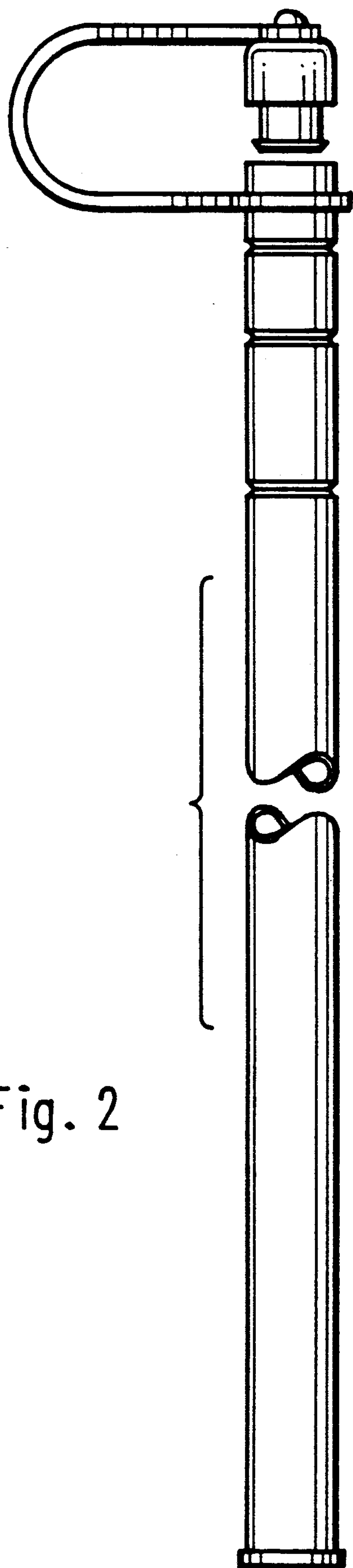


Fig. 2

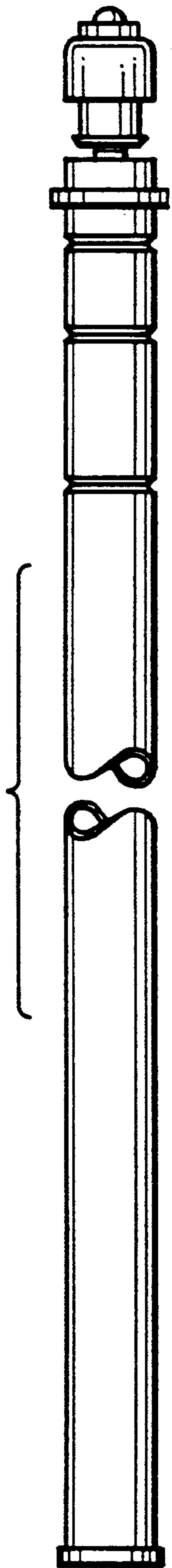


Fig. 3

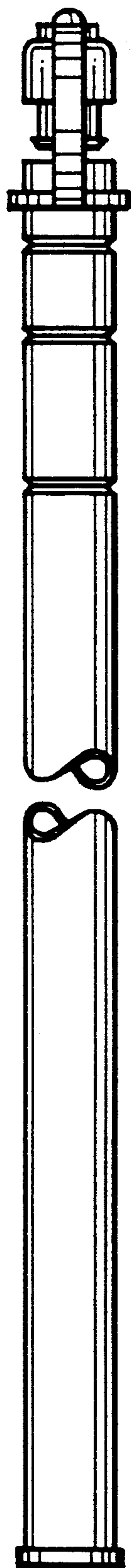


Fig. 4

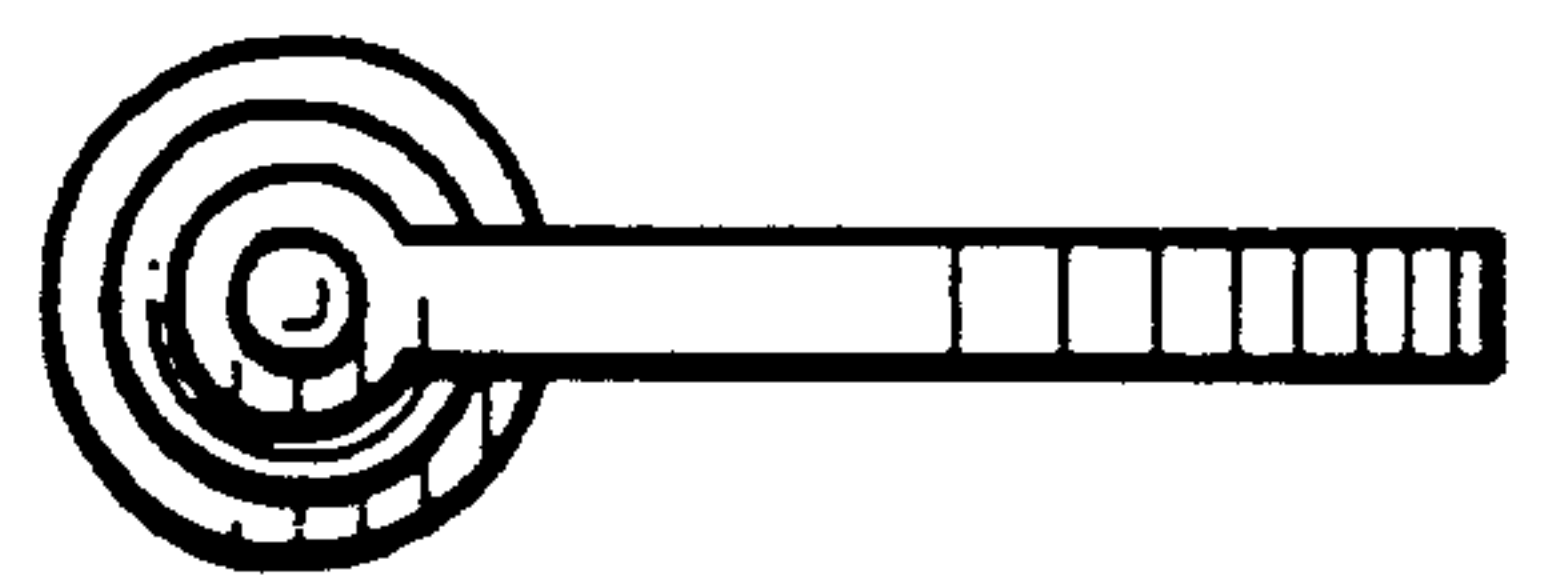


Fig. 5

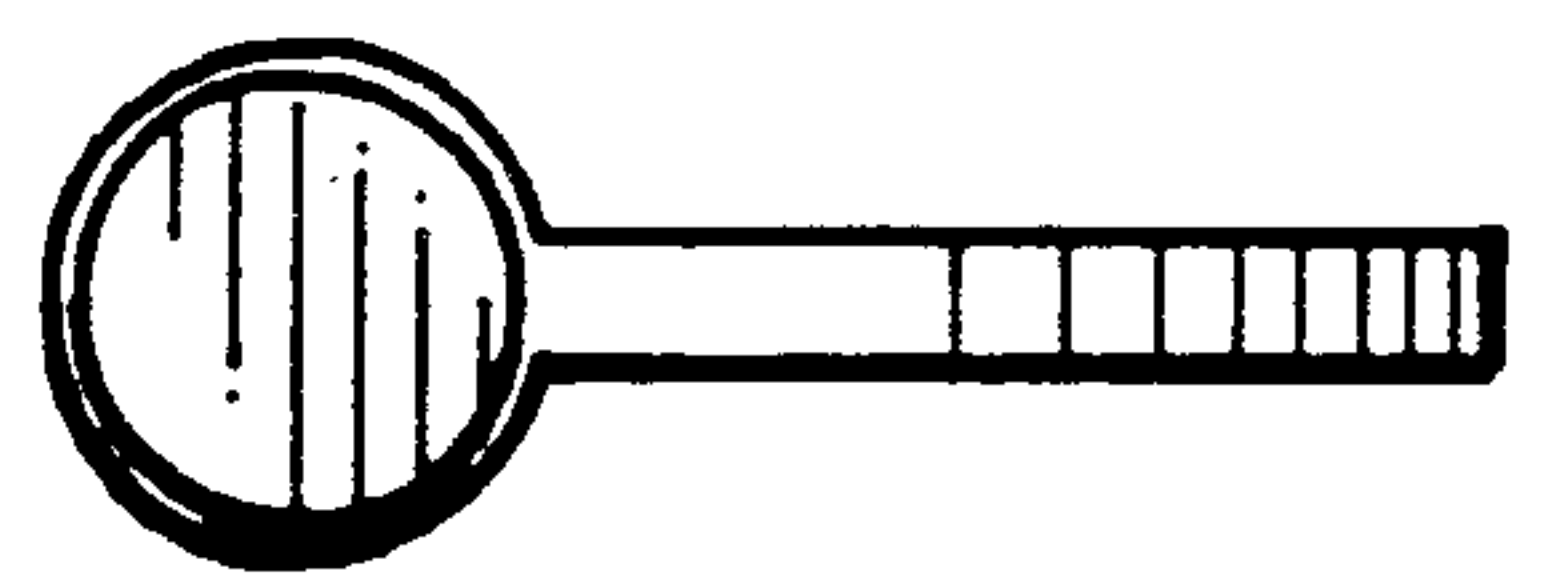


Fig. 6