

United States Patent [19]
Antonious

[11] **Patent Number: Des. 322,830**
[45] **Date of Patent: ** Dec. 31, 1991**

[54] **IRON TYPE GOLF CLUB HEAD**

4,630,825 12/1986 Schmidt et al. 273/167 H

[76] **Inventor: Anthony J. Antonious, 205 E. Joppa Rd., Towson, Md. 21204**

Primary Examiner—Melvin B. Feifer
Attorney, Agent, or Firm—N. J. Aquilino

[**] **Term: 14 Years**

[57] **CLAIM**

[21] **Appl. No.: 344,028**

The ornamental design for an iron type golf club head, as shown and described.

[22] **Filed: Apr. 27, 1989**

[52] **U.S. Cl. D21/220**

[58] **Field of Search D21/214-220;
273/164, 167-175**

DESCRIPTION

FIG. 1 is a front perspective view of the iron type golf club head showing my new design.

FIG. 2 is a rear elevational view thereof.

FIG. 3 is an end elevational view thereof.

FIG. 4 is a top plan view thereof.

FIG. 5 is a bottom view thereof.

FIG. 6 is an end elevational view taken from the opposite side of FIG. 3.

FIG. 7 is a front elevational view thereof.

[56] **References Cited**

U.S. PATENT DOCUMENTS

- | | | | | |
|------------|---------|---------|-------|-----------|
| D. 165,458 | 12/1951 | Jacobs | | D21/220 |
| D. 276,644 | 12/1984 | Solheim | | D21/220 |
| 4,332,338 | 6/1982 | Crow | | 273/167 A |

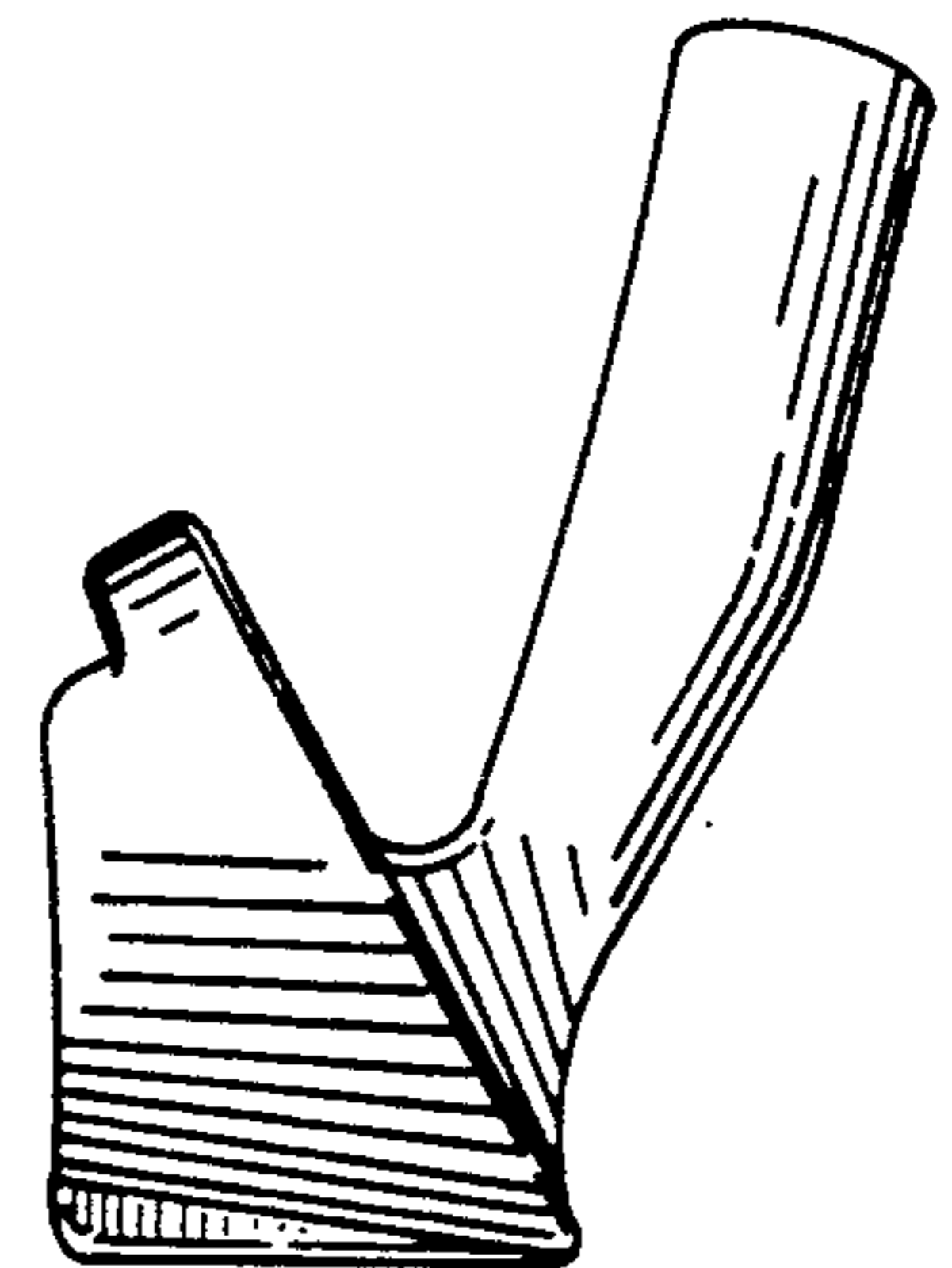
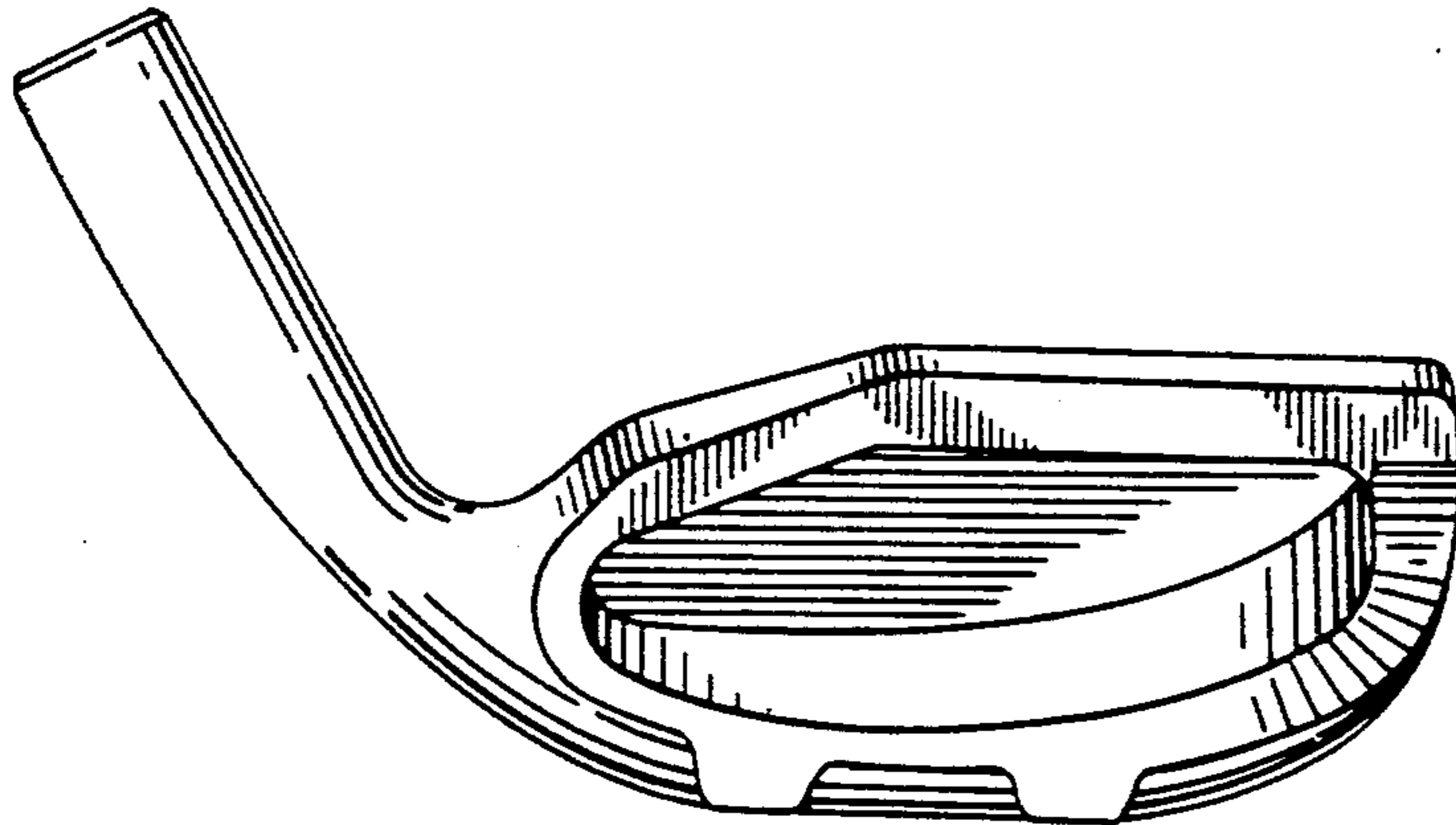


FIG. 1

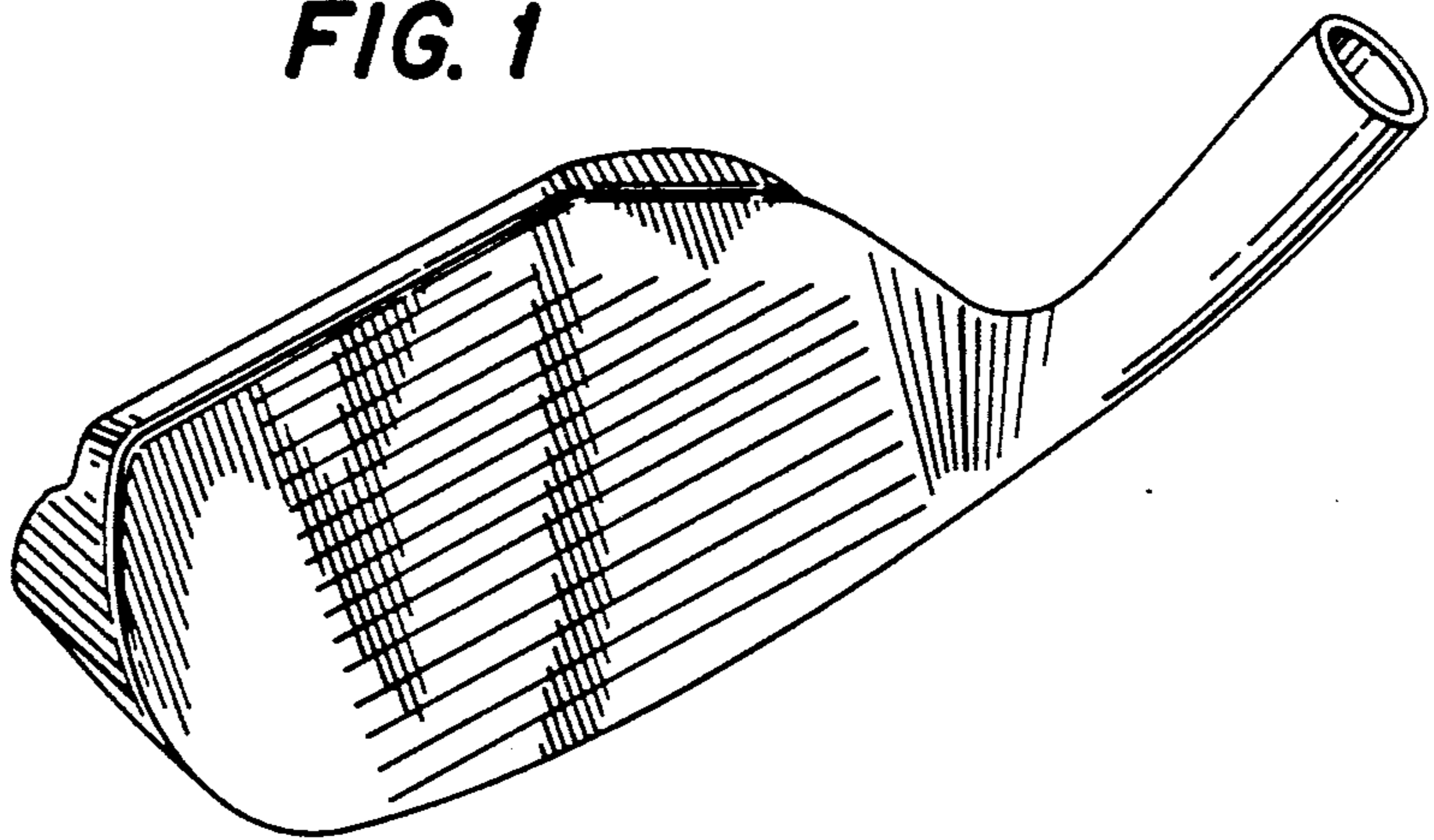


FIG. 2

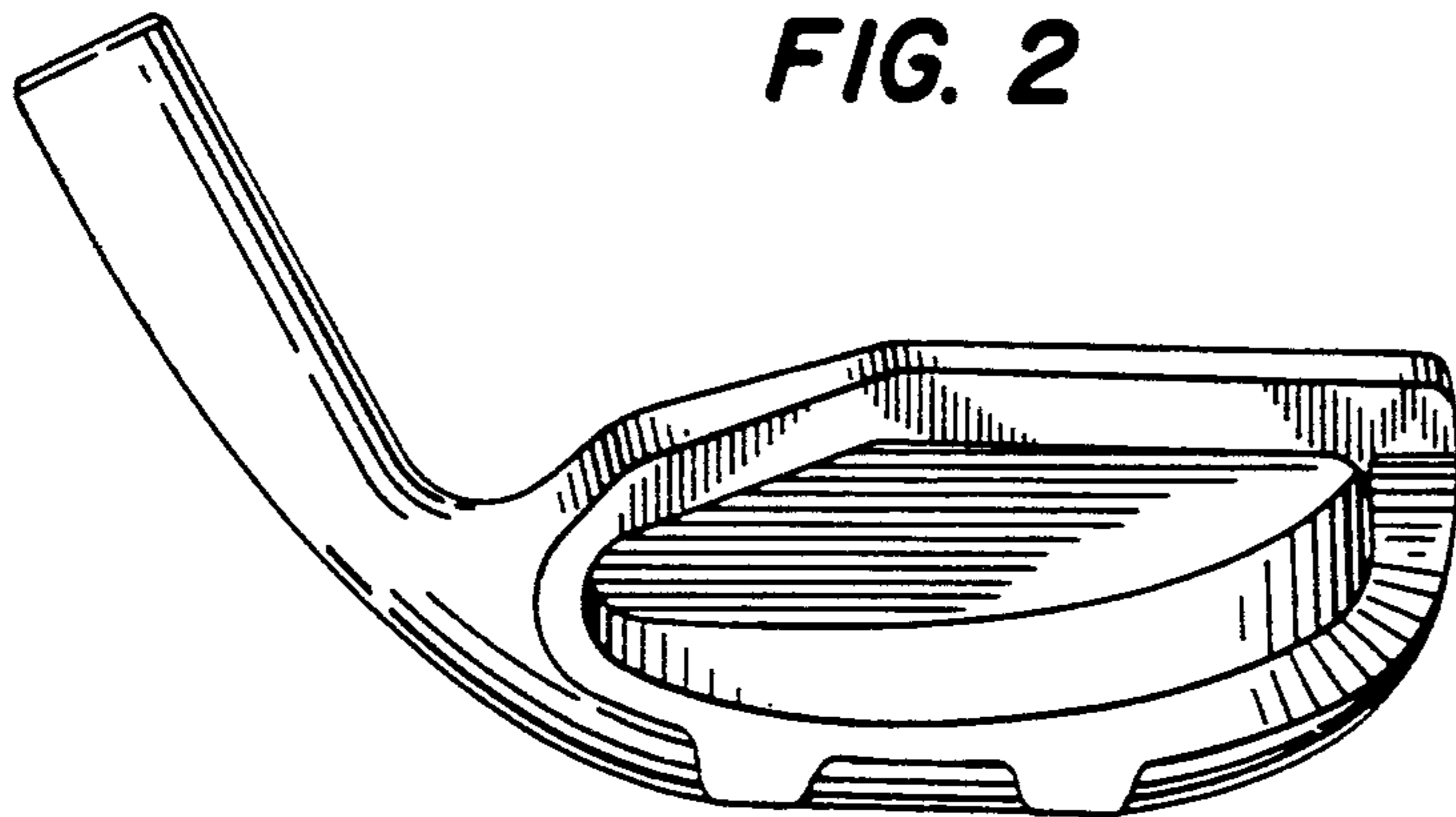


FIG. 3

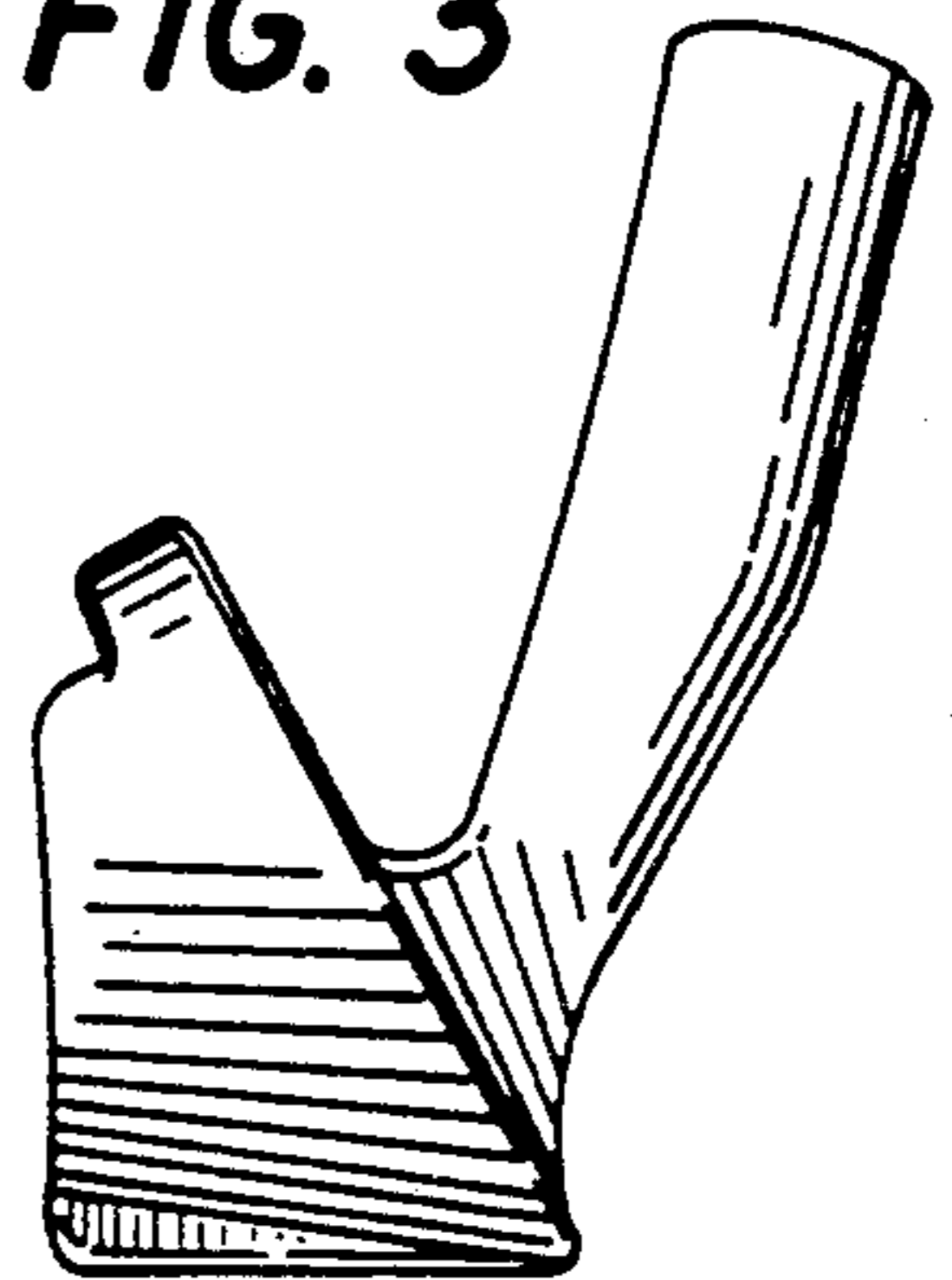


FIG. 4

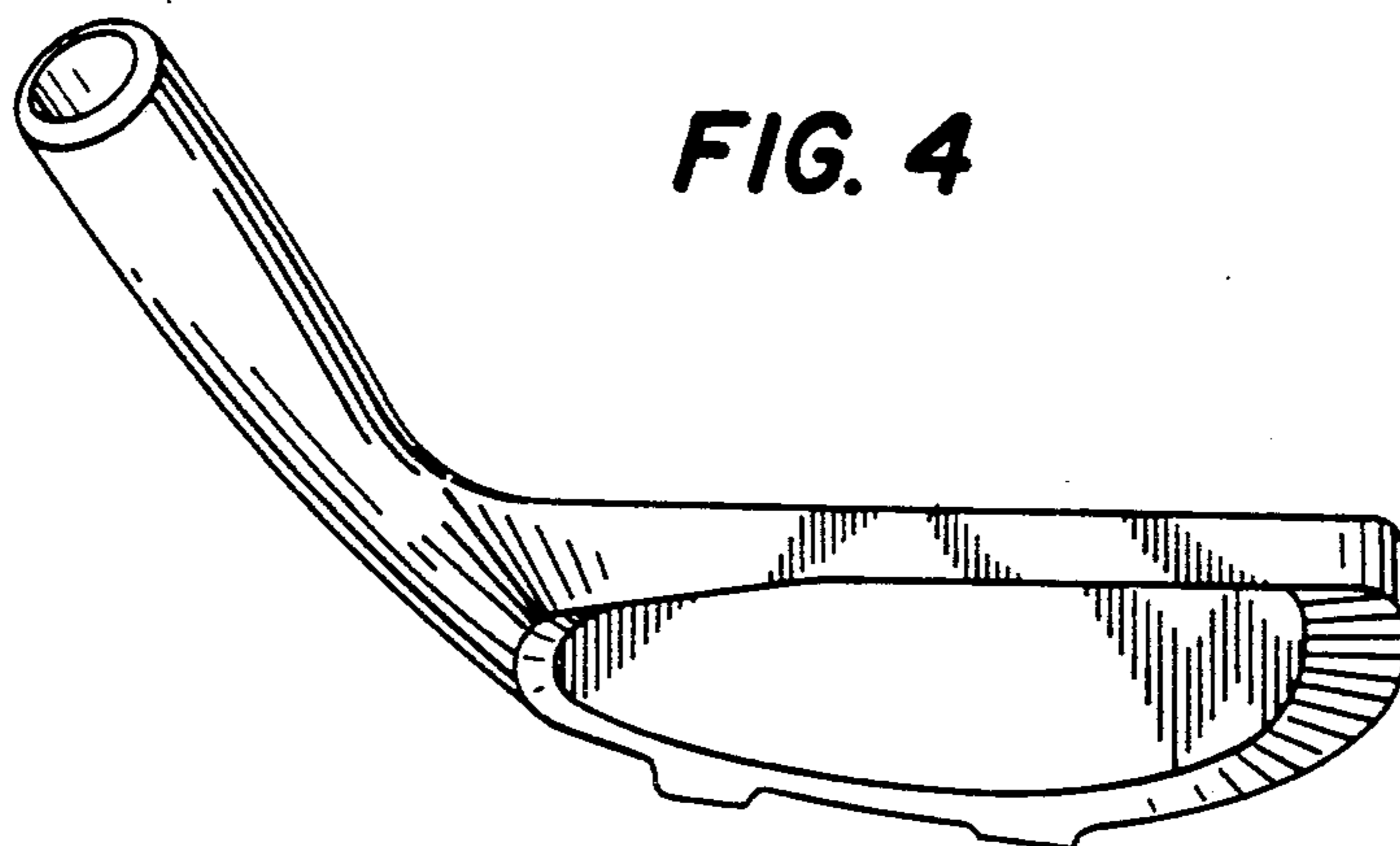


FIG. 5

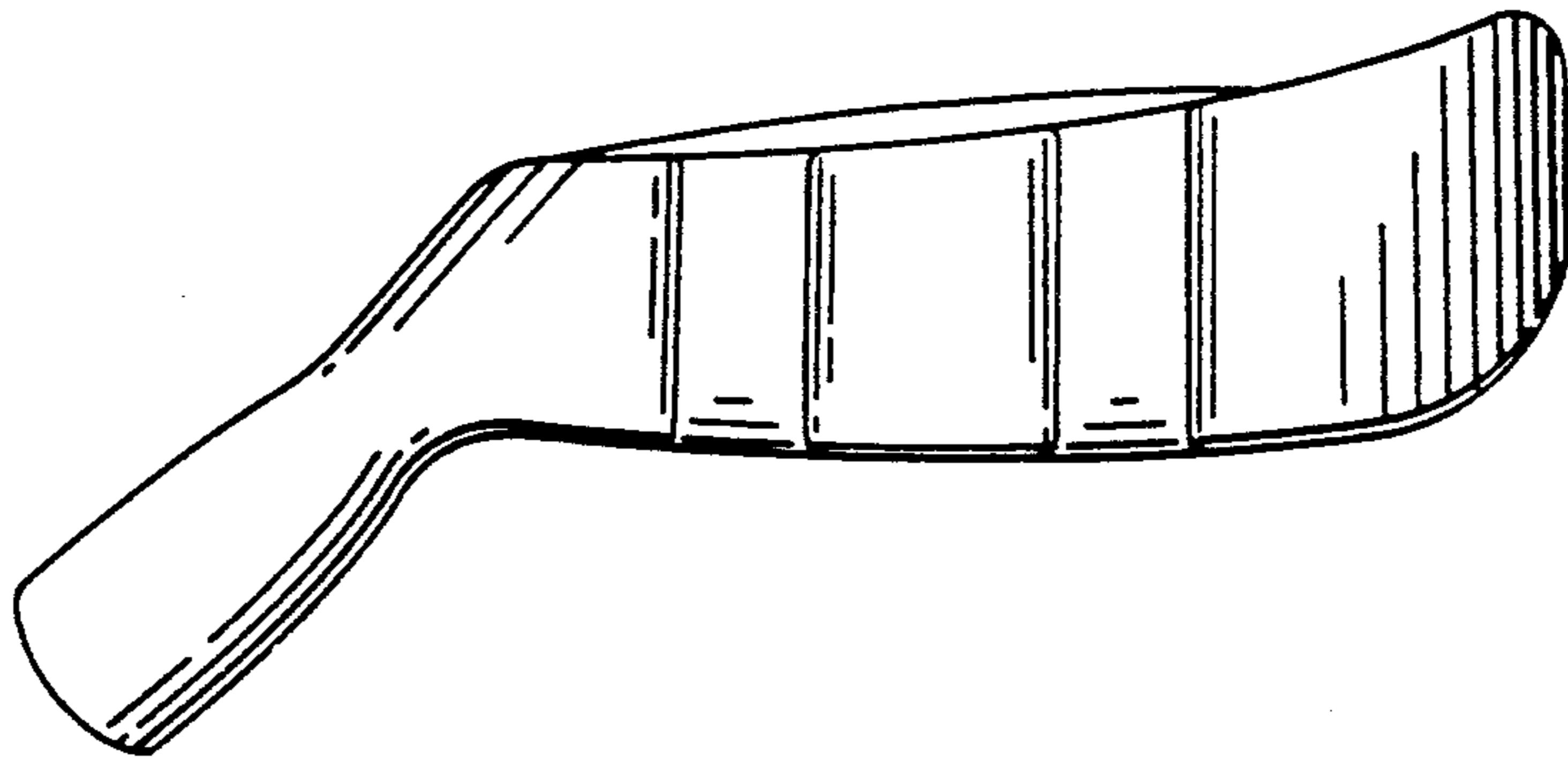


FIG. 6

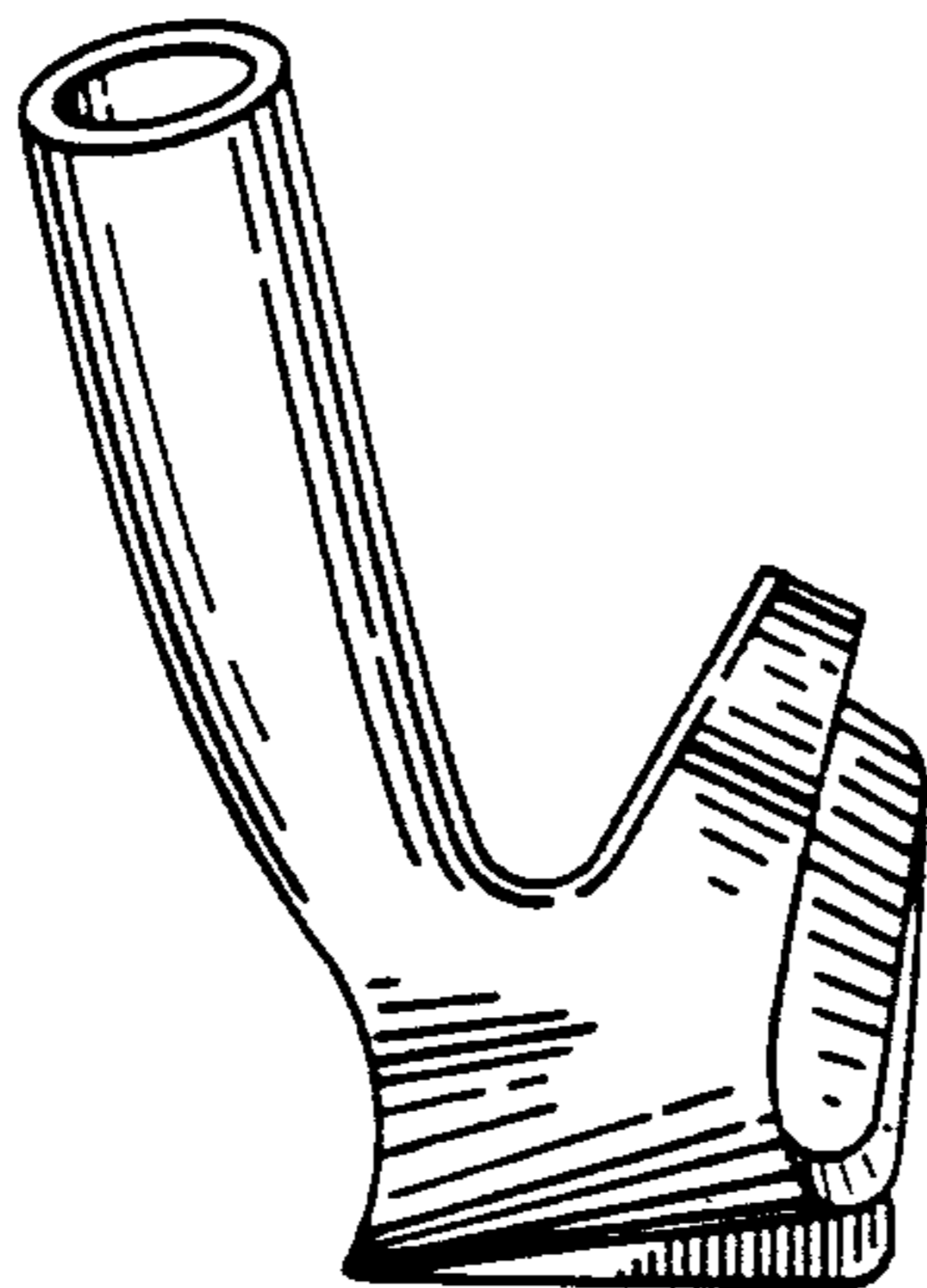


FIG. 7

