

United States Patent [19]

Antonious

[11] Patent Number: Des. 322,829

[45] Date of Patent: ** Dec. 31, 1991

[54] PUTTER TYPE GOLF CLUB HEAD

[76] Inventor: Anthony J. Antonious, 205 E. Joppa Rd., Towson, Md. 21204

[**] Term: 14 Years

[21] Appl. No.: 373,471

[22] Filed: Jun. 27, 1989

[52] U.S. Cl. D21/219

[58] Field of Search D21/214-220;
273/164, 167-175

[56] References Cited

U.S. PATENT DOCUMENTS

- D. 202,715 11/1965 Solheim D21/219
D. 297,445 8/1988 Shearer D21/219

OTHER PUBLICATIONS

Golf Digest, Apr. 1977, p. 34, lower left, Lynx Master Putter.

Golf Digest, Dec. 1986, p. 32, lower left, Just-Rite Putter.

Primary Examiner—Melvin B. Feifer
Attorney, Agent, or Firm—N. J. Aquilino

[57] CLAIM

The ornamental design for a putter type golf club head, as shown and described.

DESCRIPTION

FIG. 1 is a rear perspective view of the putter type golf club head showing my new design.

FIG. 2 is a rear elevational view thereof.

FIG. 3 is an end elevational view thereof.

FIG. 4 is a top plan view thereof.

FIG. 5 is a front elevational view thereof.

FIG. 6 is an end elevational view taken from the opposite end of FIG. 3.

FIG. 7 is a bottom view thereof.

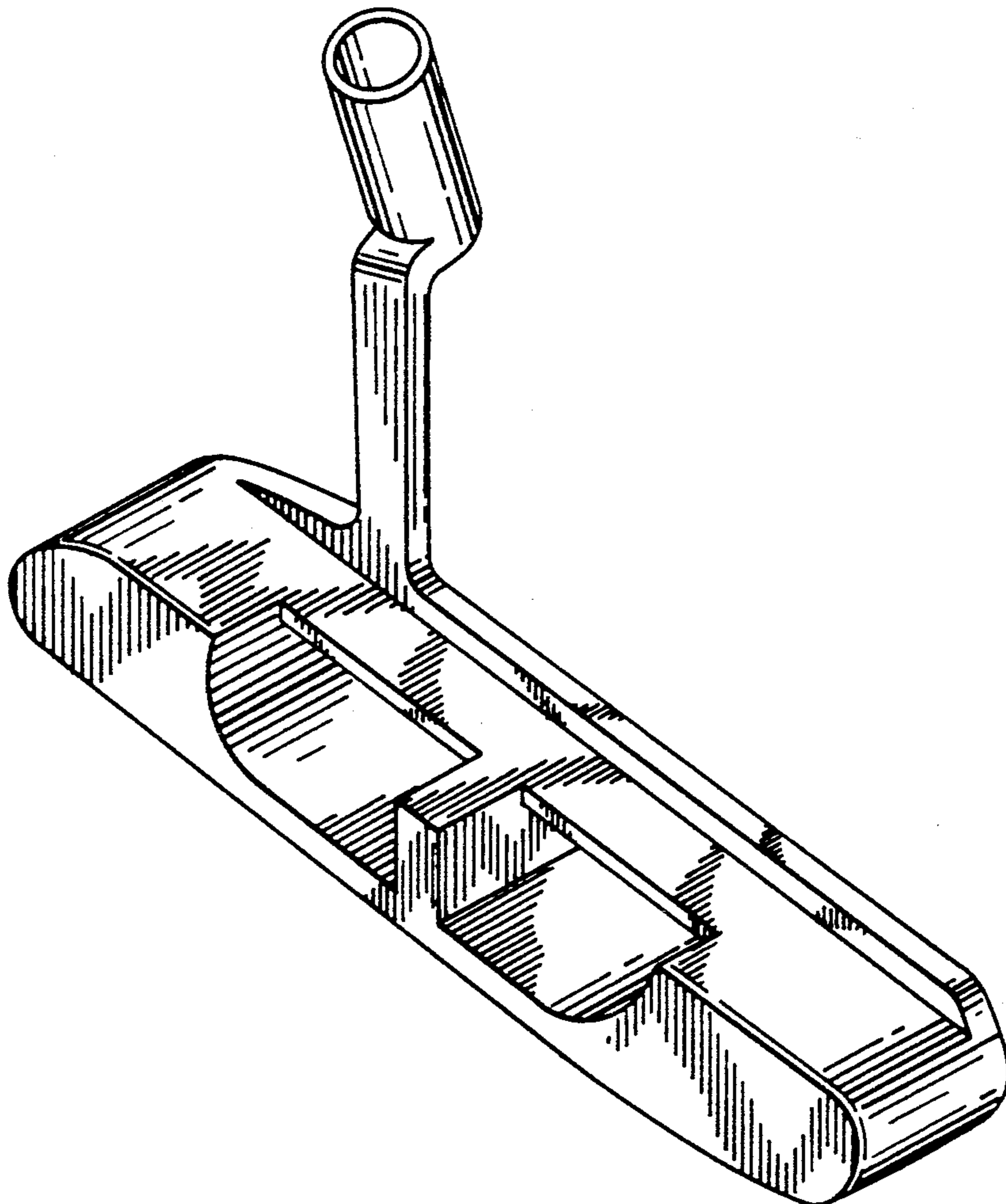


FIG. 1

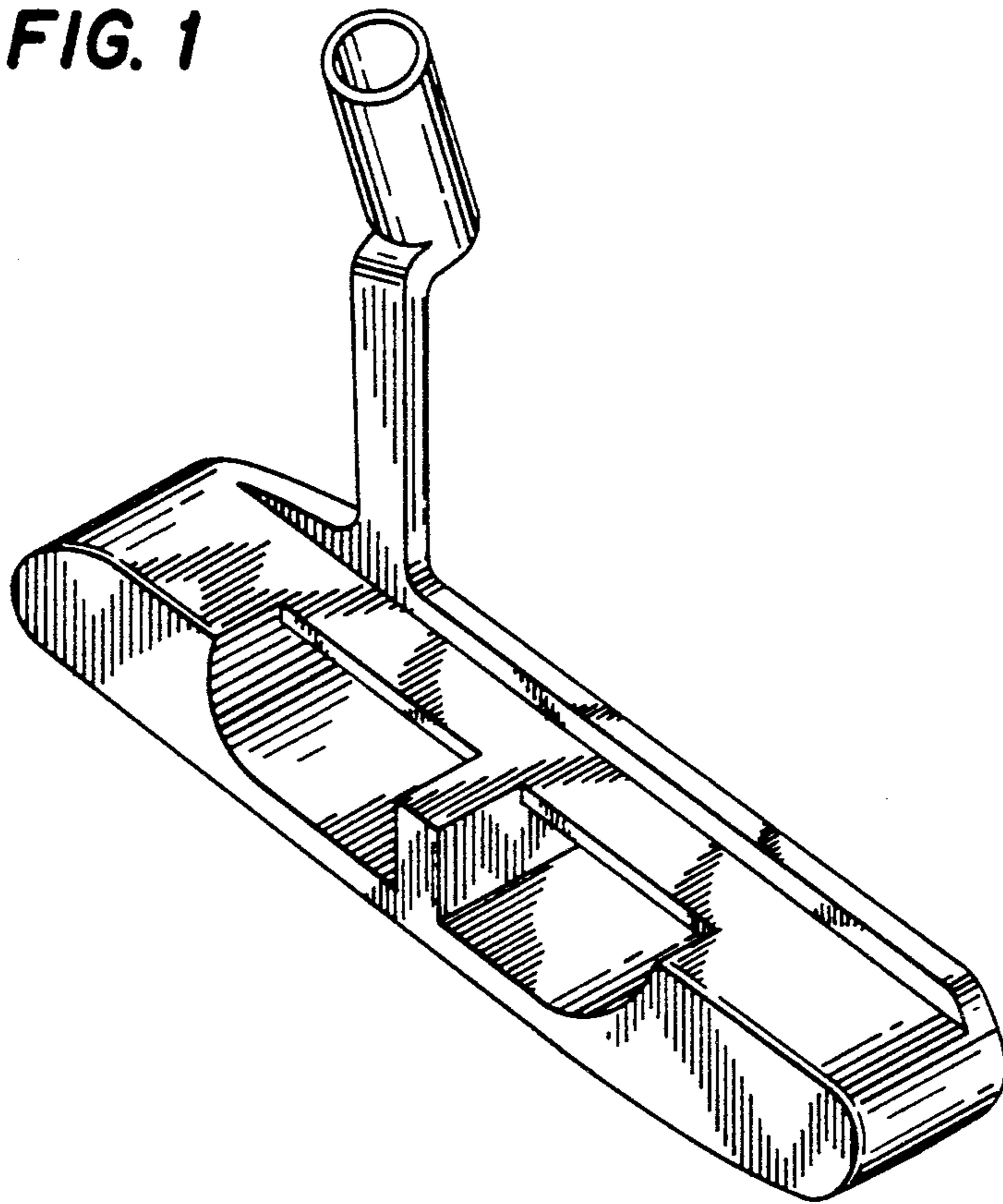


FIG. 2

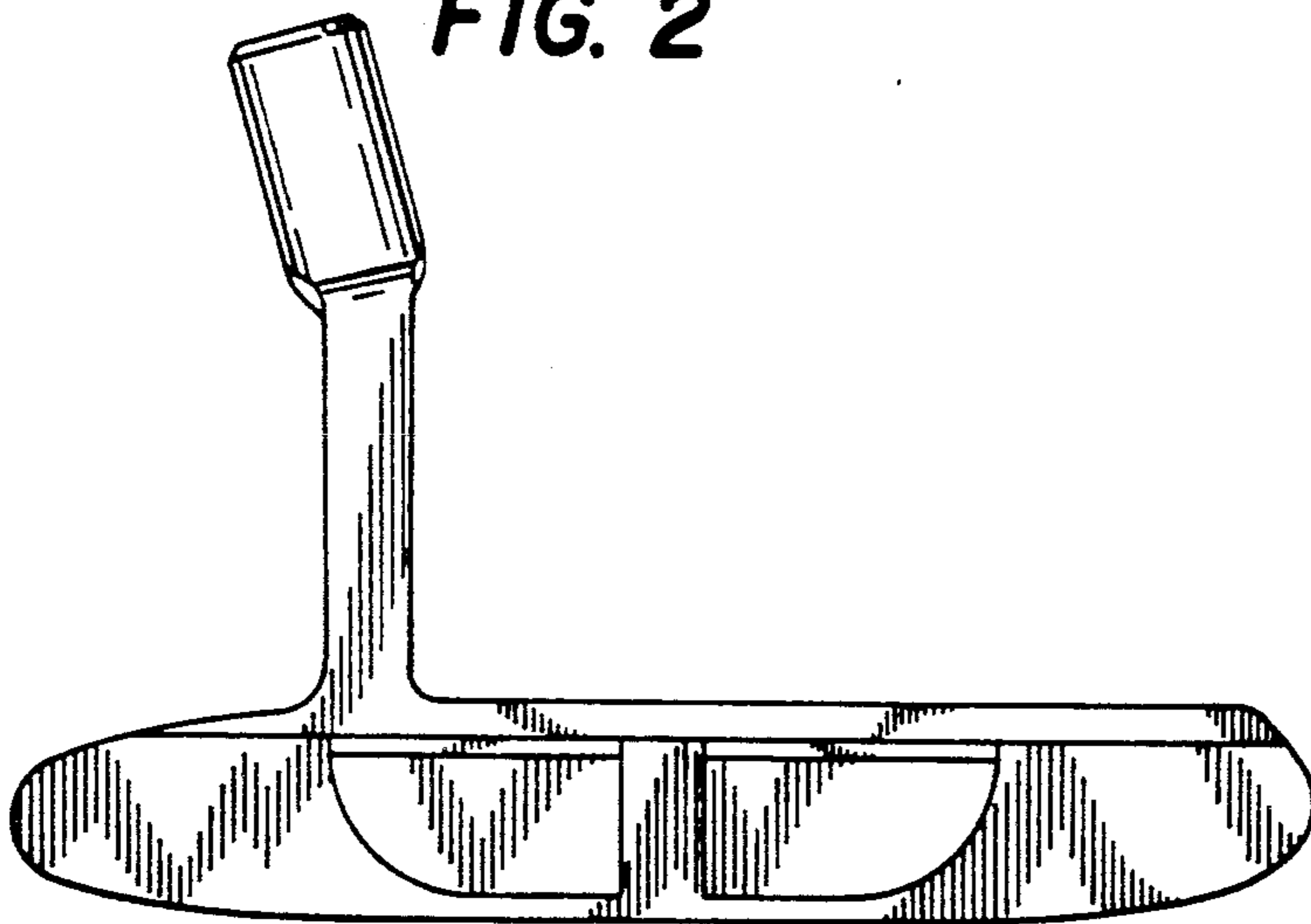


FIG. 3

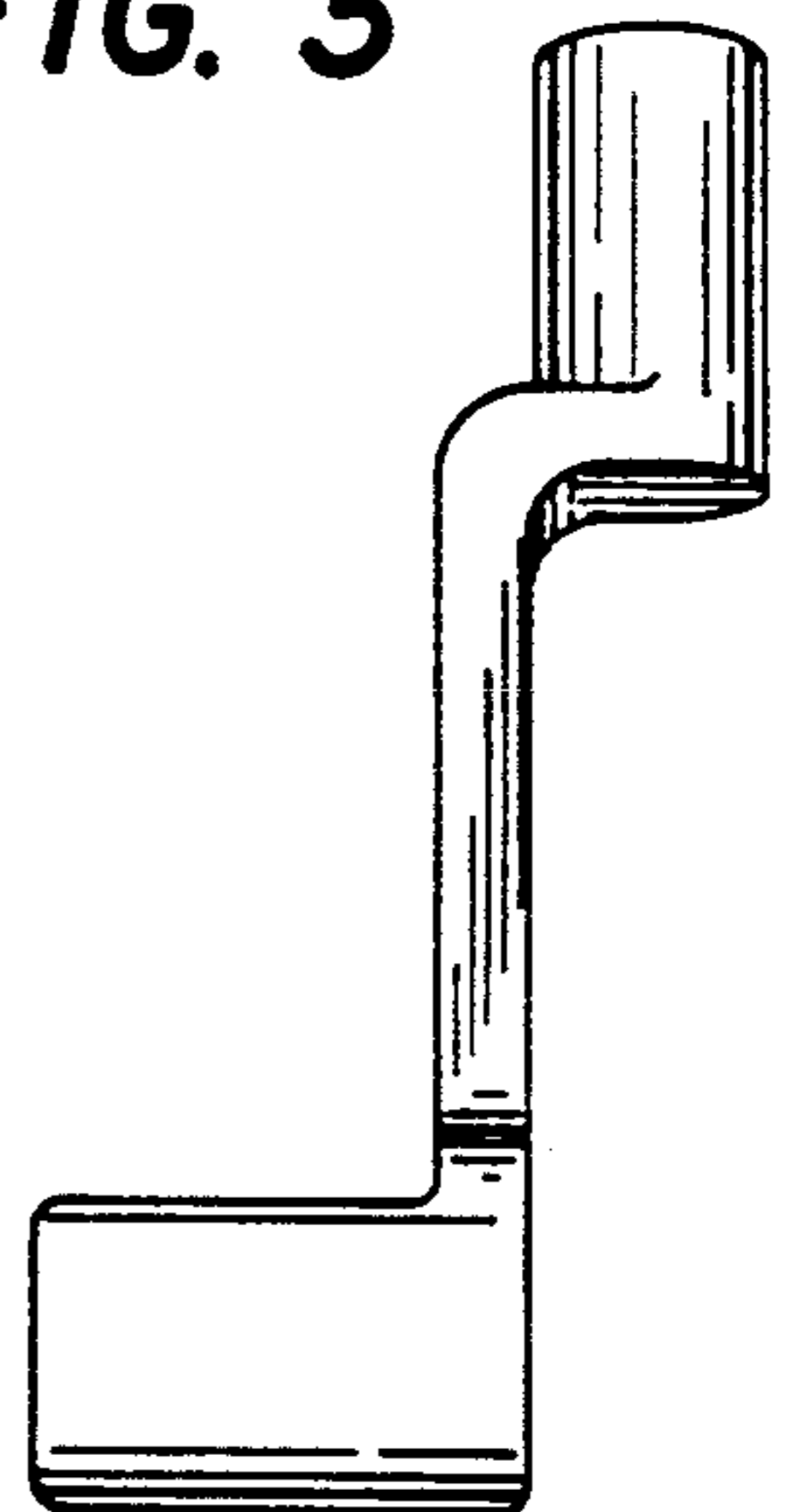


FIG. 4

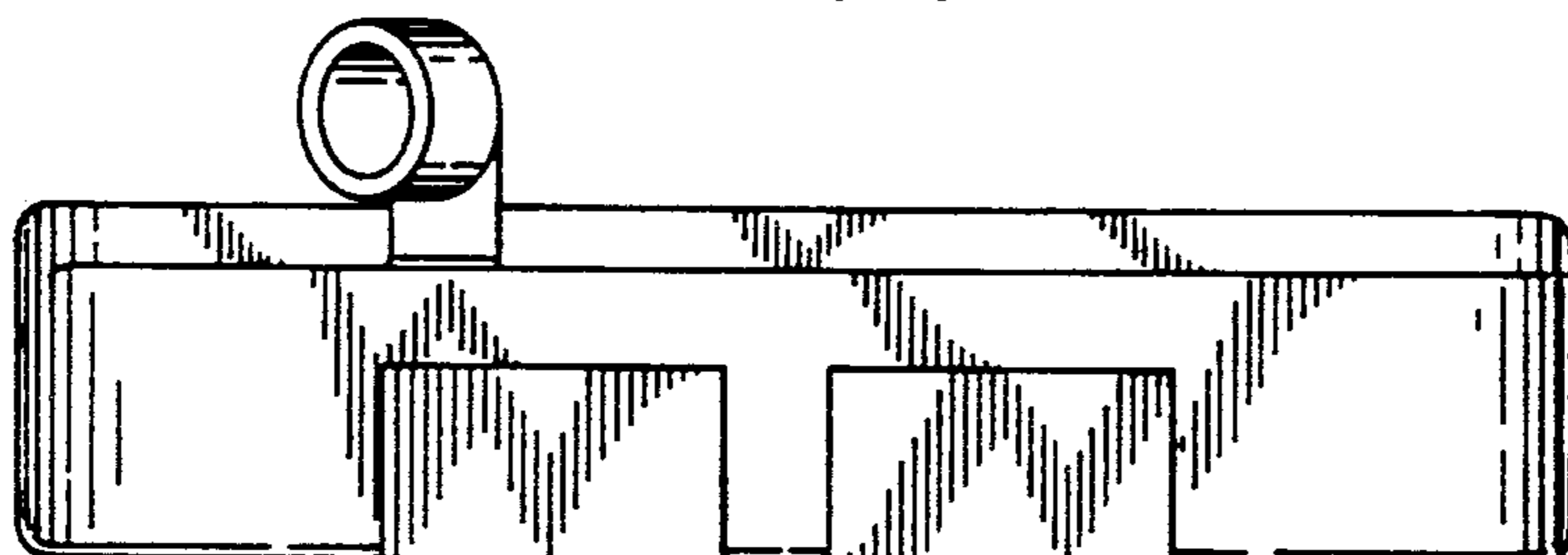


FIG. 5

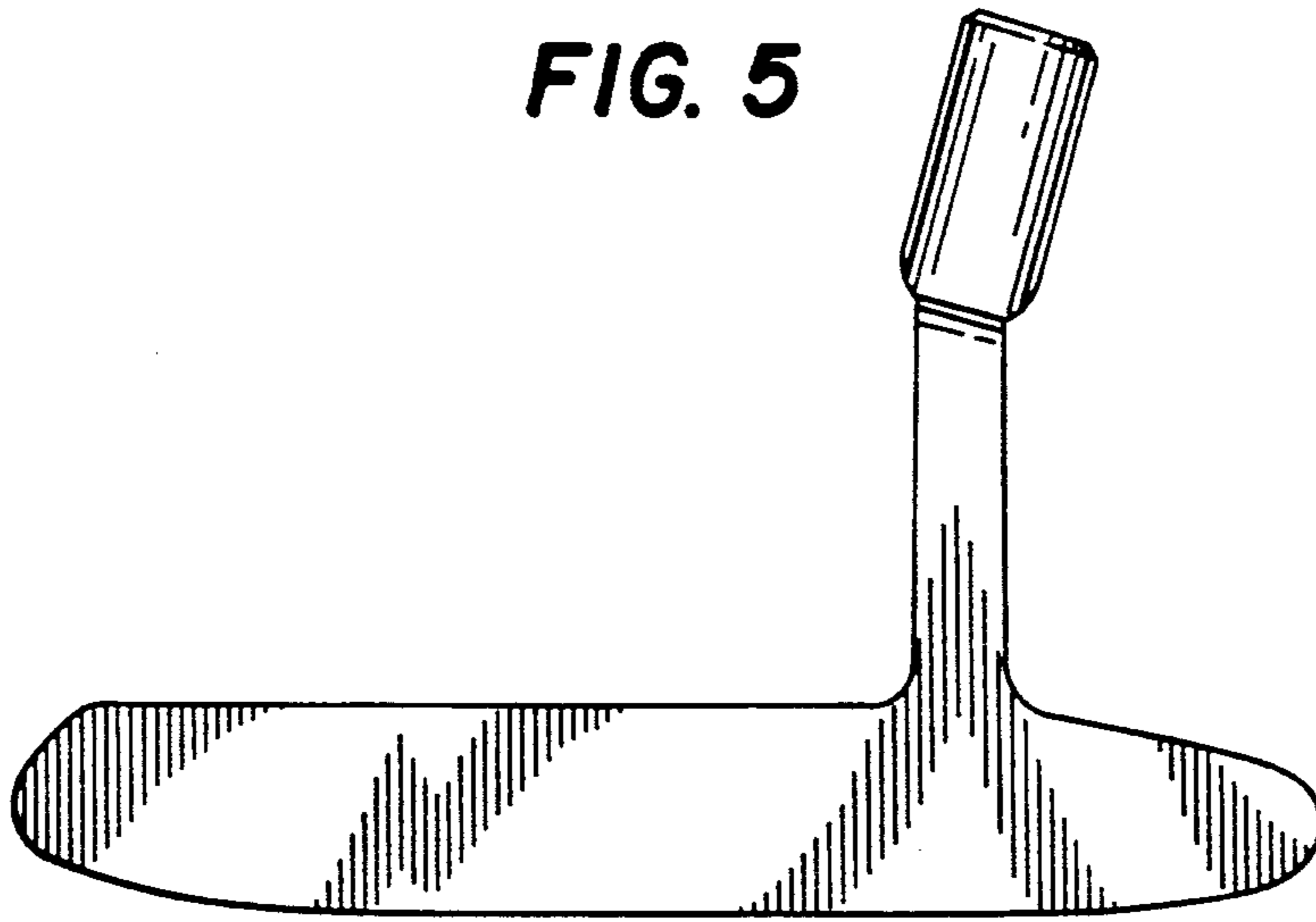


FIG. 6

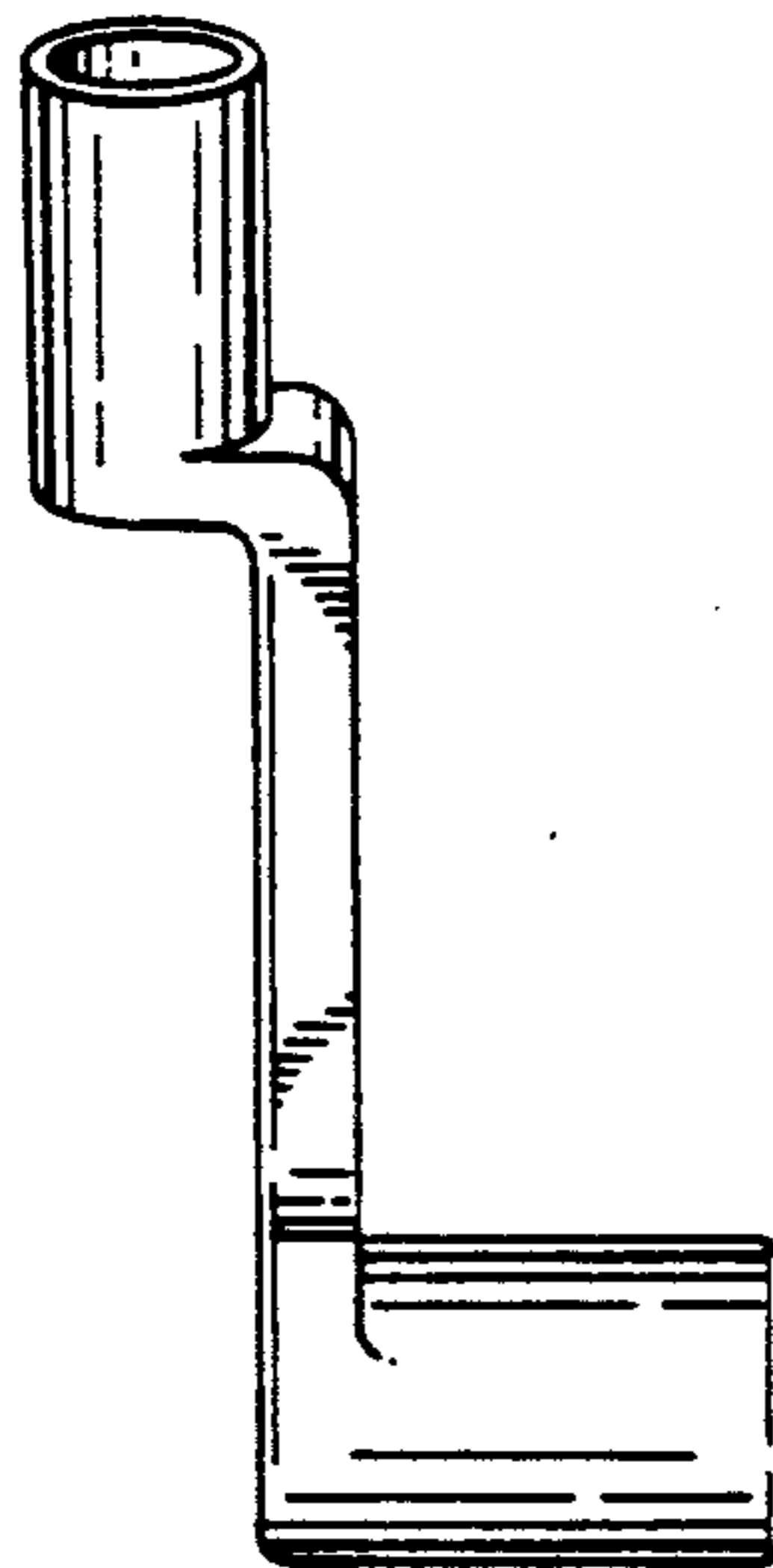


FIG. 7

