

United States Patent [19]

Bennstrom et al.

[11] Patent Number: Des. 322,827

[45] Date of Patent: ** Dec. 31, 1991

[54] HAND EXERCISER OR SIMILAR ARTICLE

[75] Inventors: Anne-Marie Bennstrom; Leslie G. Sinclair, both of Topanga; George Reynolds, Laguna Beach; Stephan A. Schwartz, Los Angeles, all of Calif.

[73] Assignee: V-Partners Ltd., Los Angeles, Calif.

[**] Term: 14 Years

[21] Appl. No.: 473,701

[22] Filed: Feb. 2, 1990

[52] U.S. Cl. D21/198

[58] Field of Search D21/191-199;
272/68, 93, 119, 125, 140, 141, 671

[56] References Cited

U.S. PATENT DOCUMENTS

D. 224,547 8/1972 Lund D21/198

D. 264,737 6/1982 Cooper D21/198
D. 276,835 12/1984 Killen D21/198
D. 277,593 2/1985 Terrian et al. D21/198
4,623,141 11/1986 Salvino D21/198

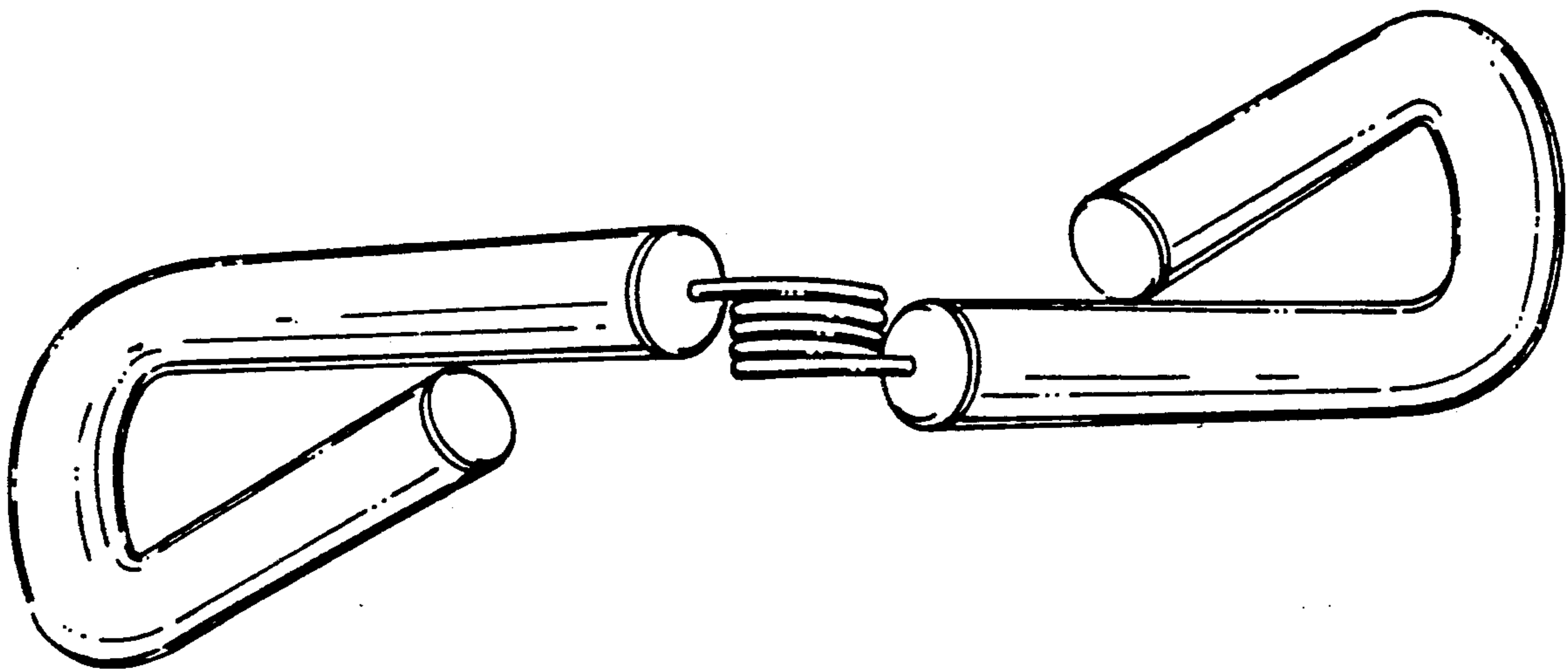
Primary Examiner—Charles A. Rademaker
Attorney, Agent, or Firm—Irell & Manella

[57] CLAIM

The ornamental design for an hand exerciser or similar article, as shown and described.

DESCRIPTION

FIG. 1 is a top plan view of a hand exerciser or similar article showing our new design;
FIG. 2 is a front elevational view thereof;
FIG. 3 is a side elevational view thereof;
FIG. 4 is a bottom plan view thereof;
FIG. 5 is an end elevational view thereof taken at a right angle to the handle member, the side opposite being substantially identical.



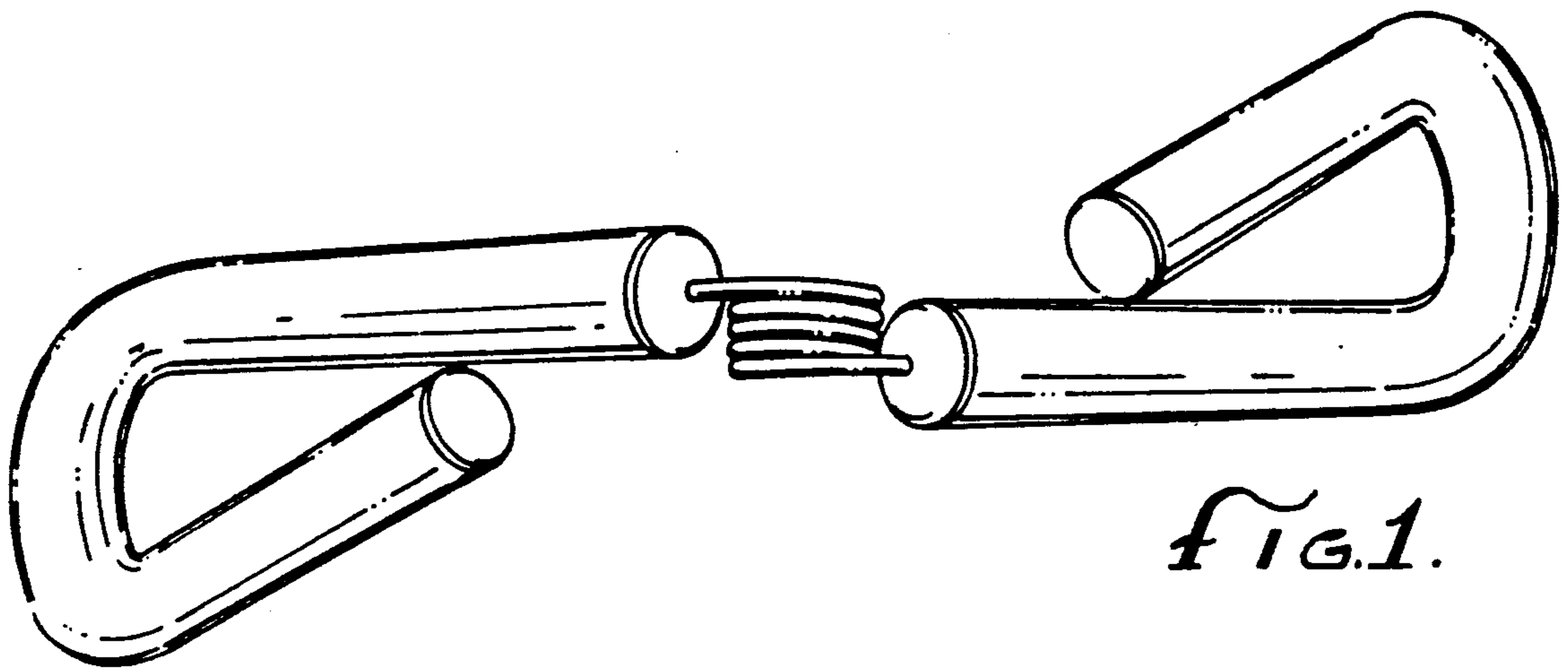


FIG. 1.

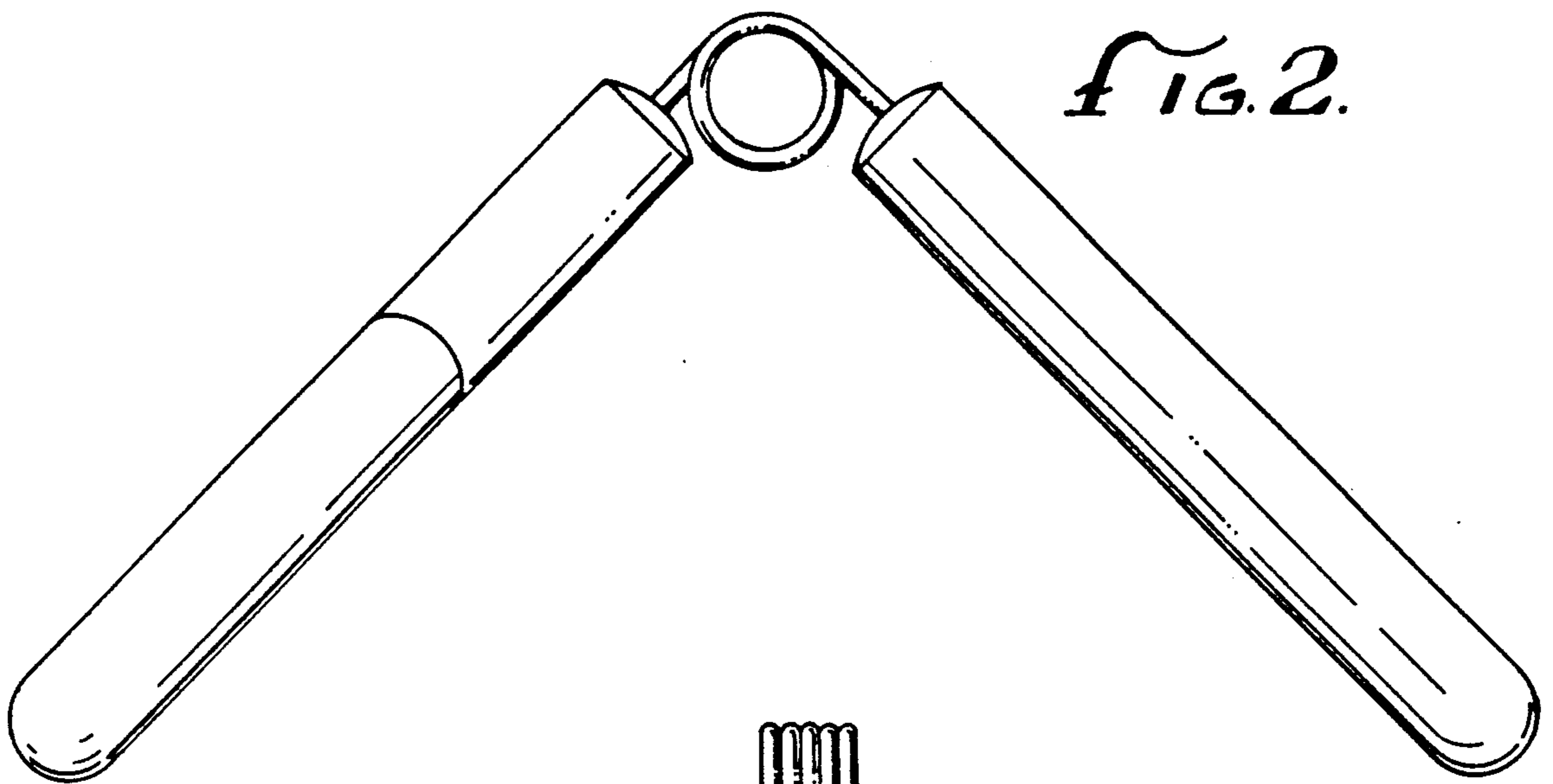


FIG. 2.

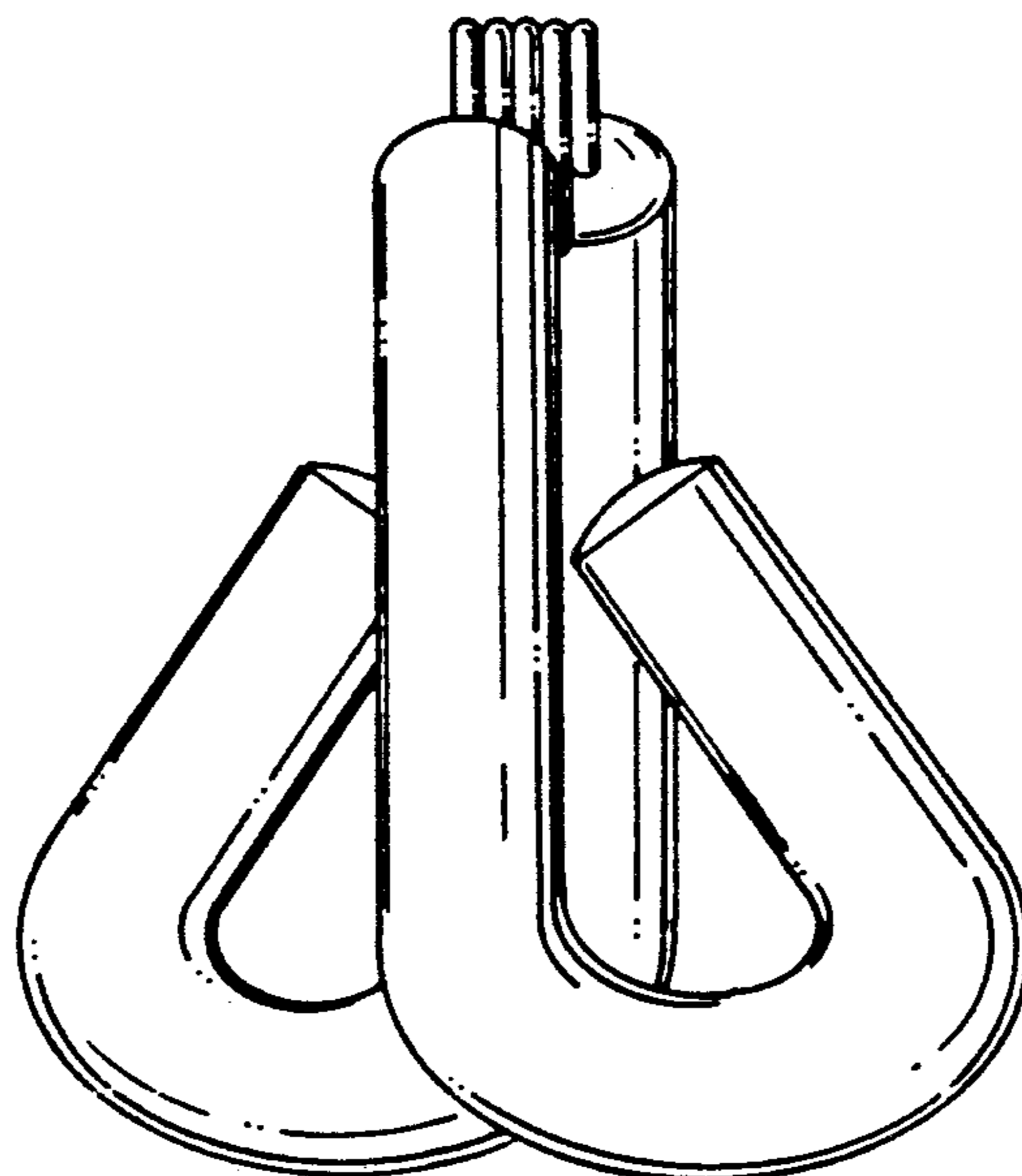


FIG. 3.

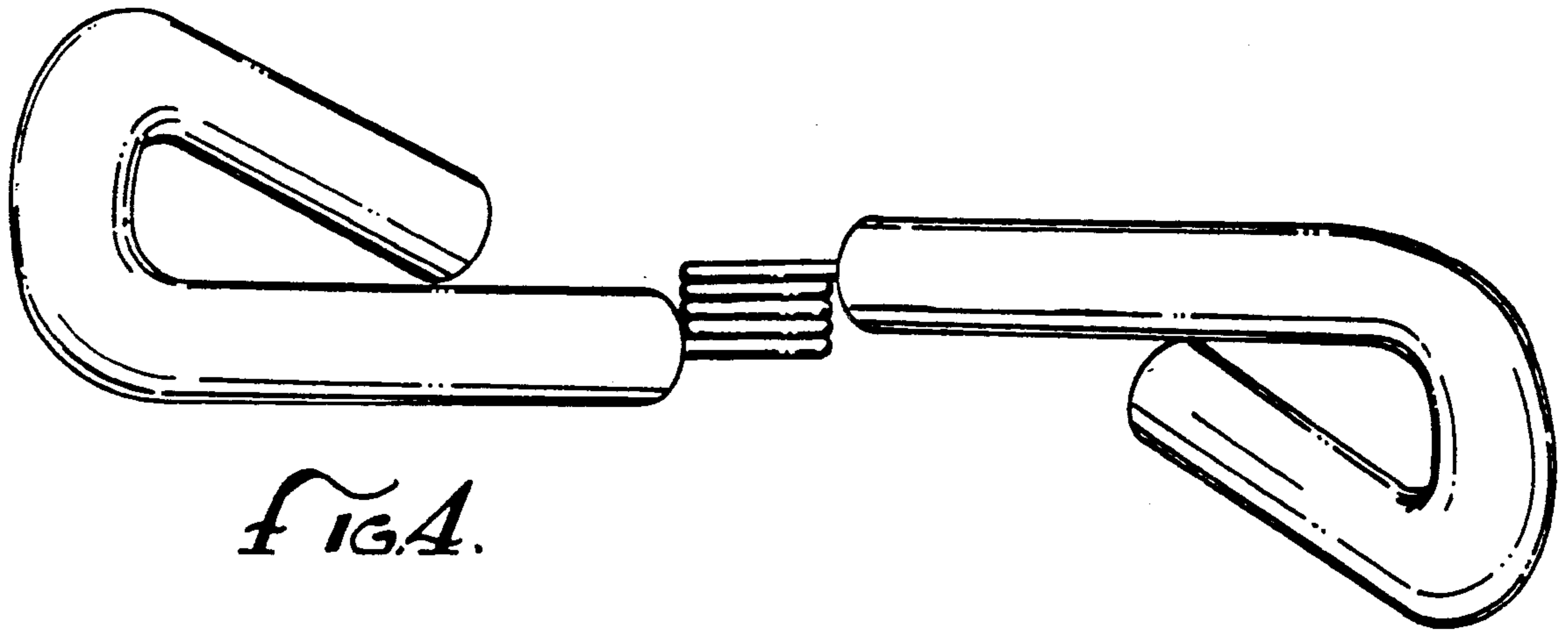


FIG. 4.

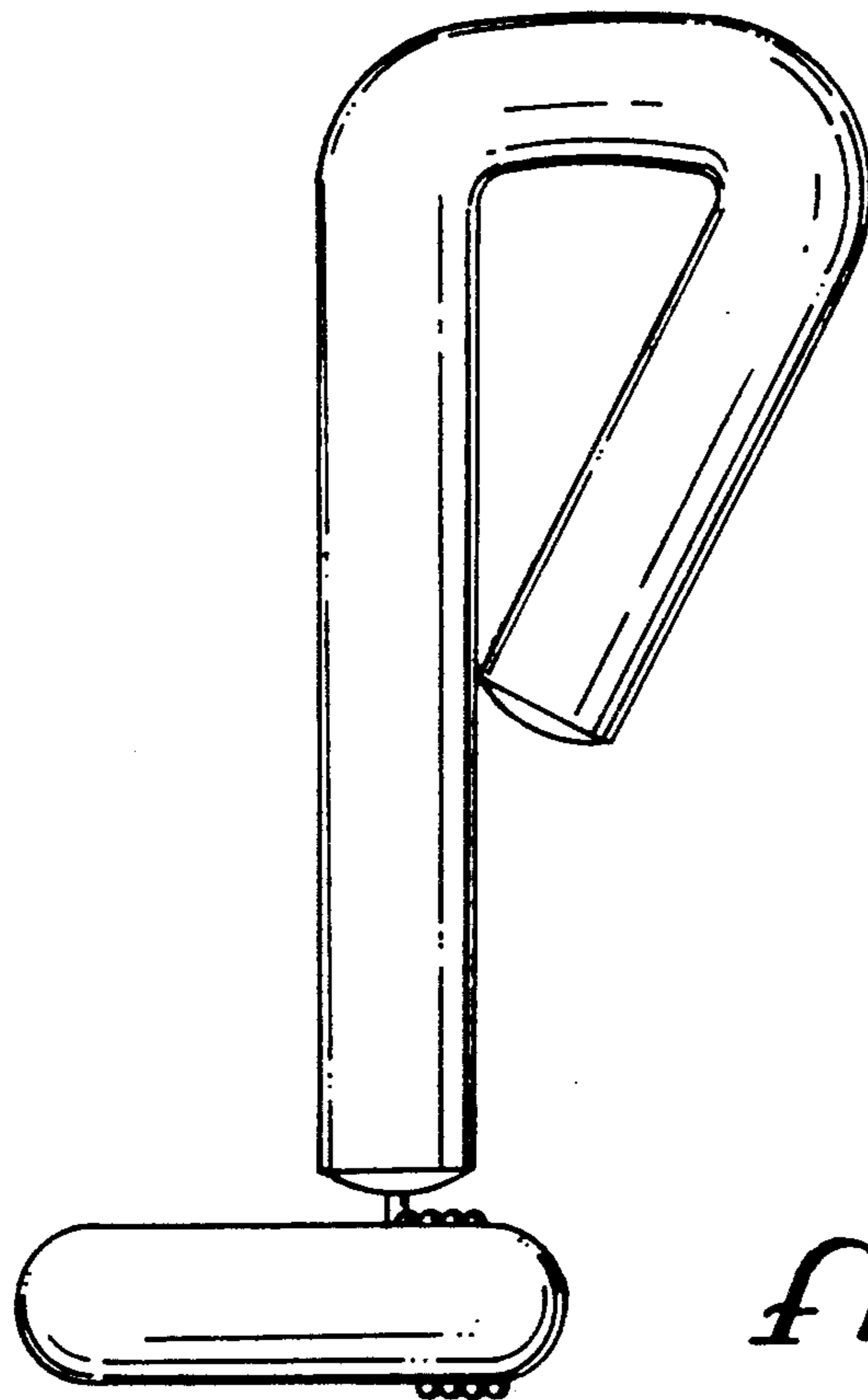


FIG. 5.