

[54] **FLOATATION TIRE**

[76] **Inventor: Wilmo C. Orejola, 144 Mountain Ave., Pompton Plains, N.J. 07444**

[**] **Term: 14 Years**

[21] **Appl. No.: 425,323**

[22] **Filed: Oct. 23, 1989**

[52] **U.S. Cl. D21/141**

[58] **Field of Search D21/141, 130; D12/306; 440/90, 98, 100**

[56] **References Cited**

U.S. PATENT DOCUMENTS

296,613	4/1884	Petersen	440/100
2,309,875	2/1943	Thompson	440/100
4,631,037	12/1986	Dickens	440/90

FOREIGN PATENT DOCUMENTS

556118 7/1923 France .

Primary Examiner—Bernard Ansher
Assistant Examiner—R. Barkai
Attorney, Agent, or Firm—Linval B. Castle

[57] **CLAIM**

The ornamental design for a toy floatation tire, as shown and described.

DESCRIPTION

FIG. 1 is a front elevational view of a toy floatation tire showing my new design, the side opposite being substantially a mirror image;

FIG. 2 is an outer end view thereof;

FIG. 3 is an elevational view of the end opposite that shown in FIG. 2; and

FIG. 4 is a perspective view thereof.

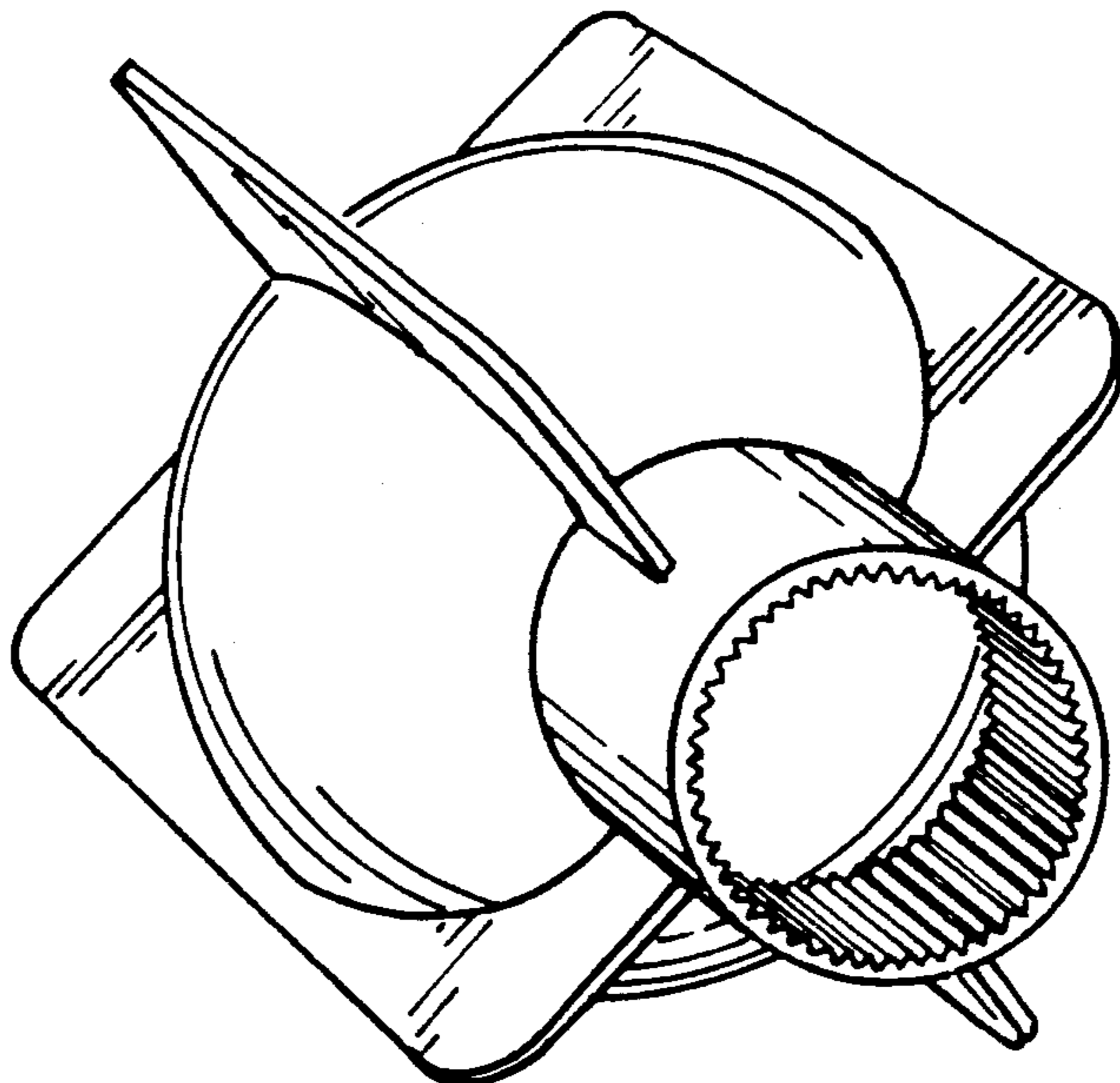


FIG. 1

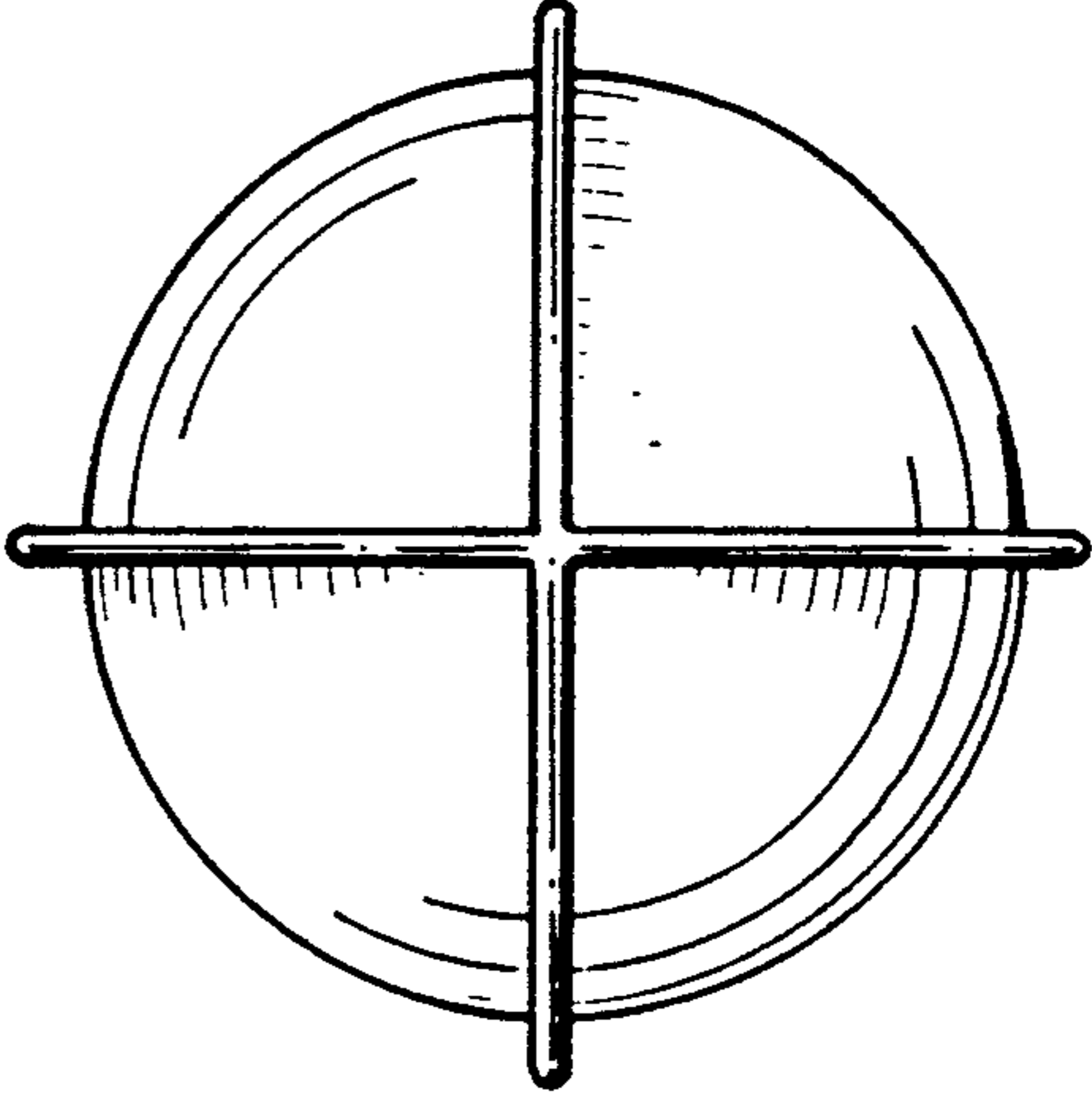
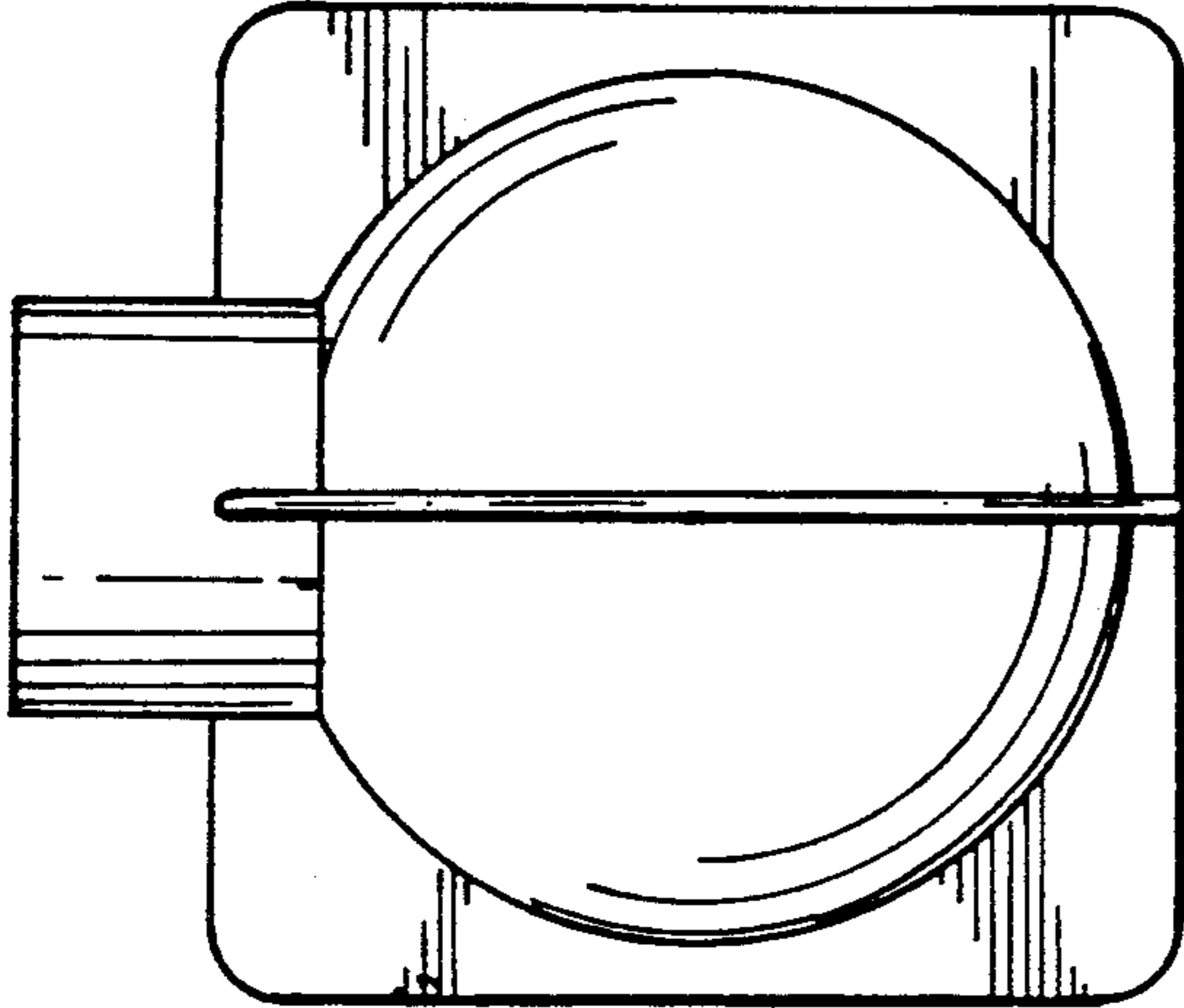


FIG. 2

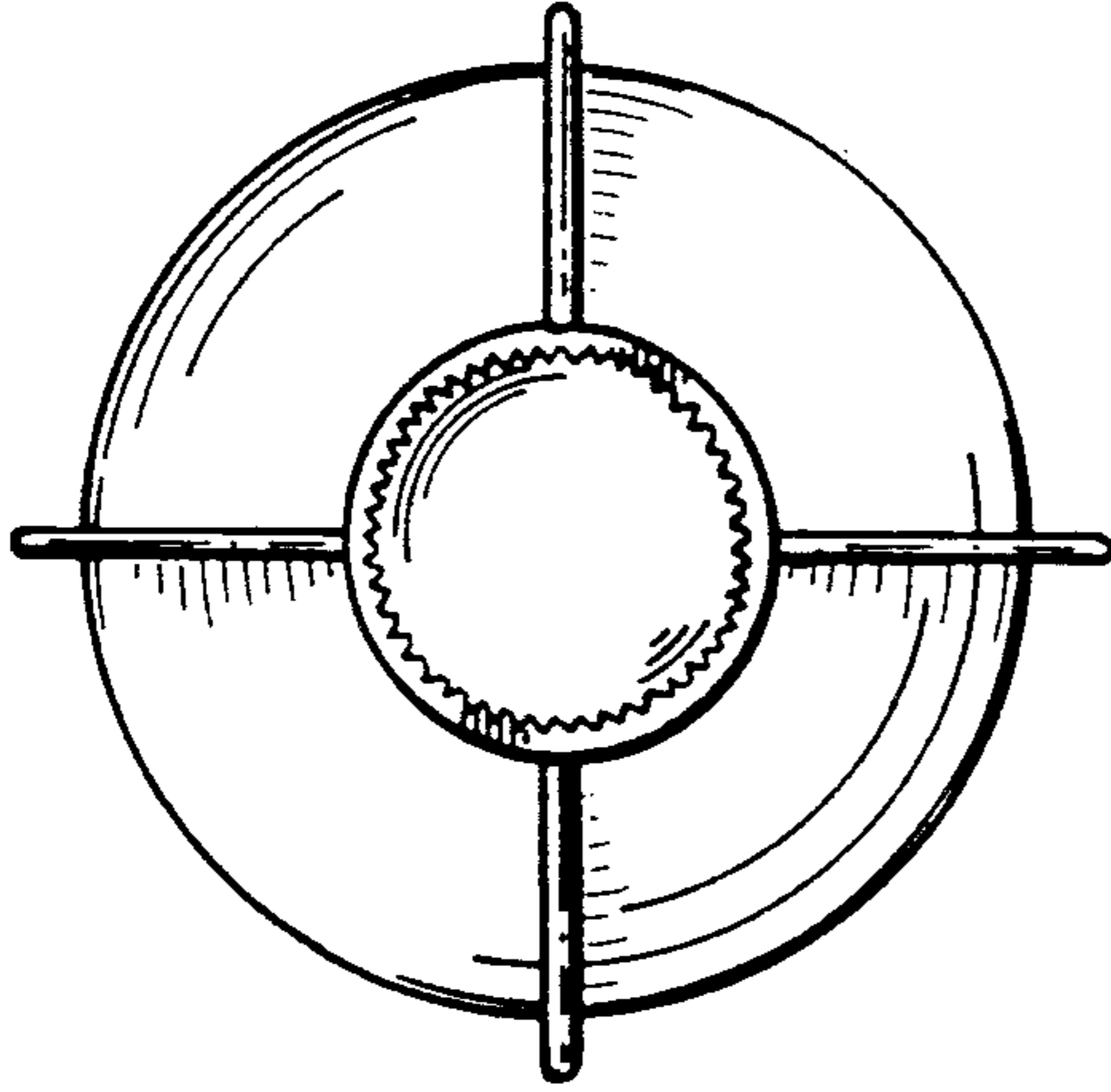


FIG. 3

FIG. 4

