

[54] **CONSTRUCTION TOY ANIMAL**
[75] **Inventor: Daniel B. Klitsner, San Francisco, Calif.**
[73] **Assignee: Discovery Toys, Inc., Martinez, Calif.**
[**] **Term: 14 Years**
[21] **Appl. No.: 498,147**
[22] **Filed: Mar. 23, 1990**
[52] **U.S. Cl. D21/108**
[58] **Field of Search D21/108, 124, 148, 149, D21/159; 446/97, 101, 102, 103, 105, 107, 117, 119, 120, 121, 122, 124, 125, 128**
[56] **References Cited**
U.S. PATENT DOCUMENTS
D. 281,519 11/1985 Pedersen D21/108

2,036,302 4/1936 Salazar 446/124
3,139,698 7/1964 Arnold 446/124

Primary Examiner—Charles A. Rademaker
Assistant Examiner—R. Barkai
Attorney, Agent, or Firm—Townsend and Townsend

[57] **CLAIM**

The ornamental design for a construction toy animal, as shown and described.

DESCRIPTION

FIG. 1 is a perspective view of a construction toy animal showing my new design;
FIG. 2 is a top plan view thereof;
FIG. 3 is a left side elevational view thereof;
FIG. 4 is a front elevational view thereof;
FIG. 5 is a right side elevational view thereof;
FIG. 6 is a rear elevational view thereof; and
FIG. 7 is a bottom plan view thereof.

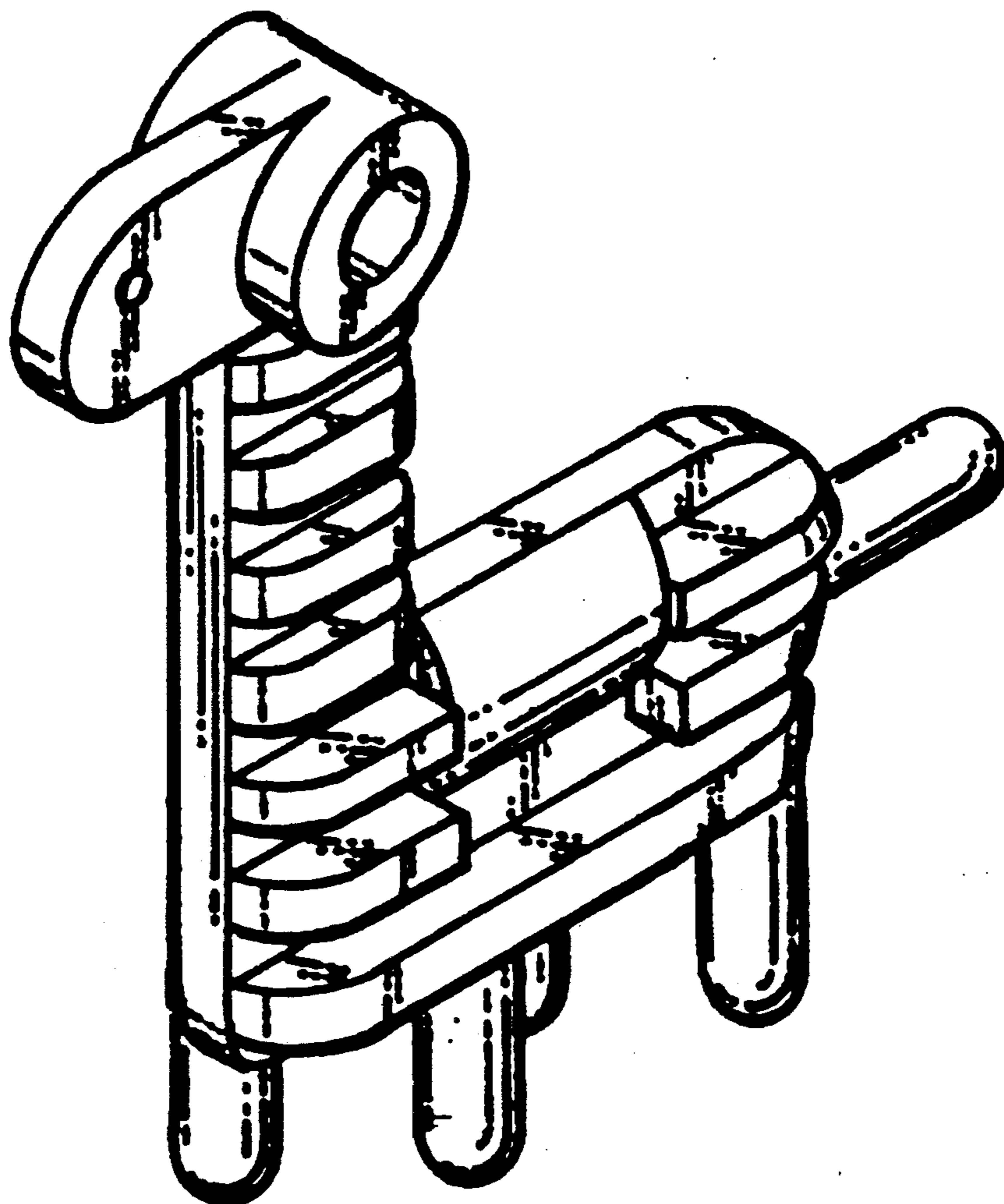




FIG. 2.

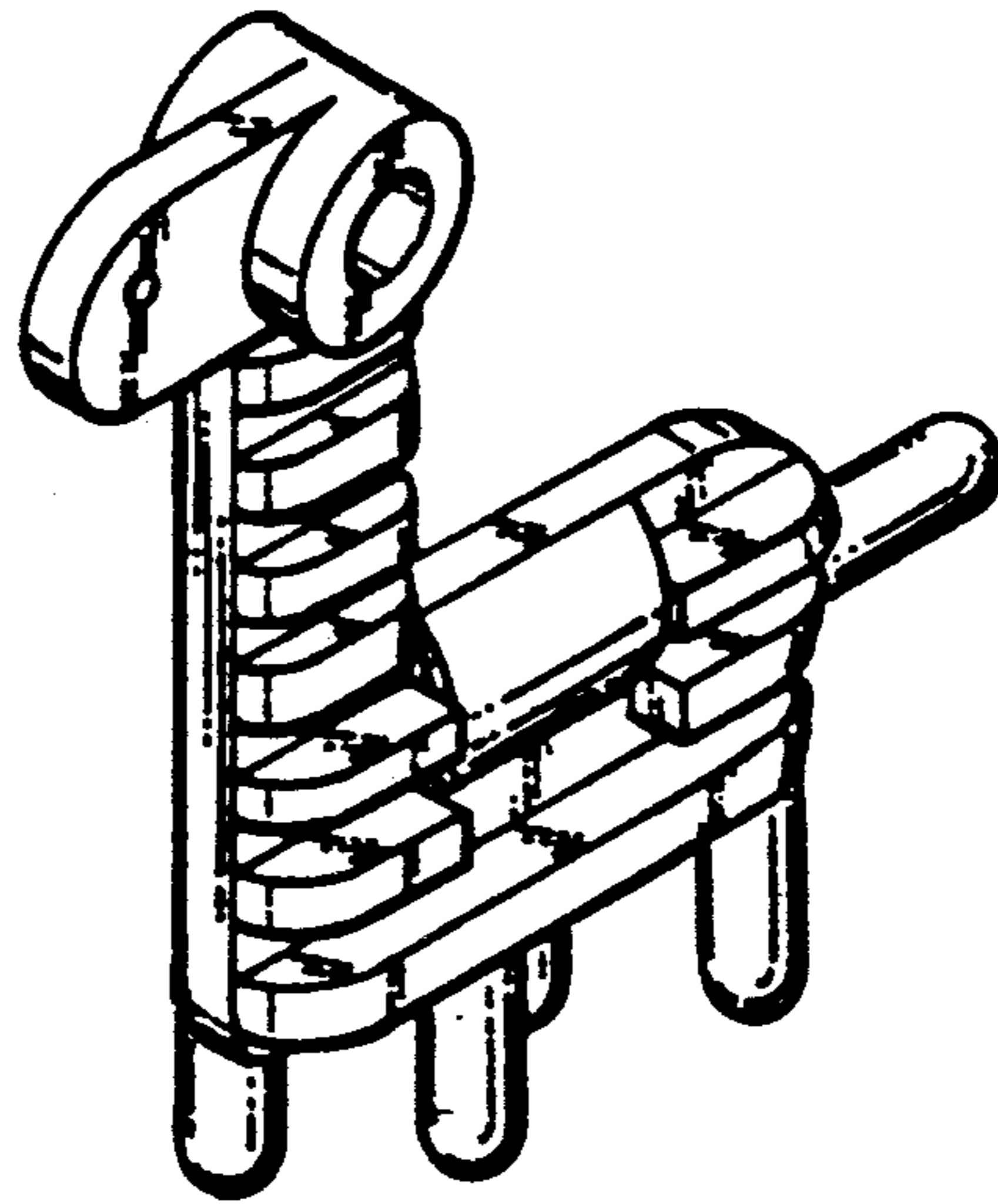


FIG. 1.

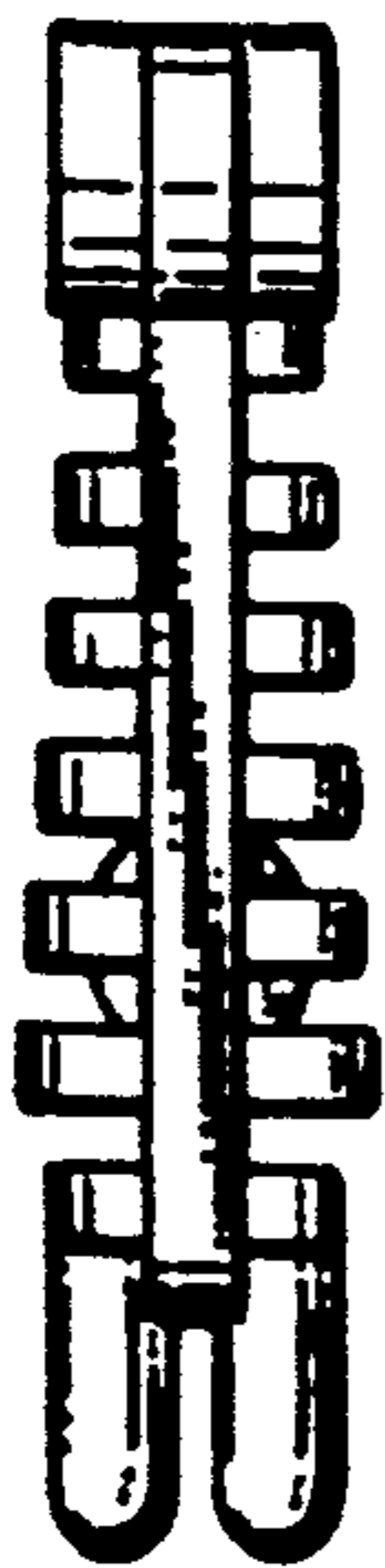


FIG. 3.

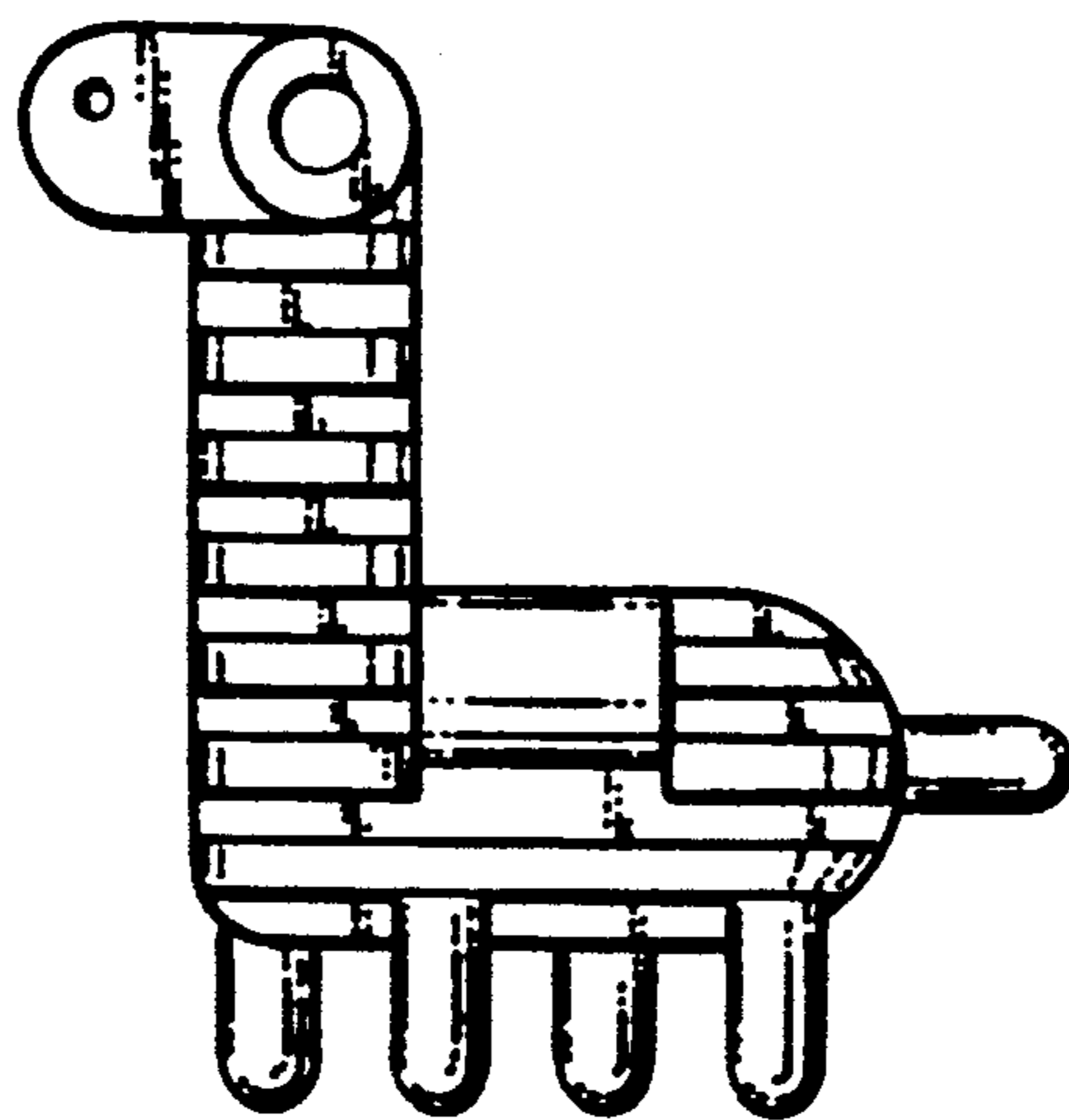


FIG. 4.

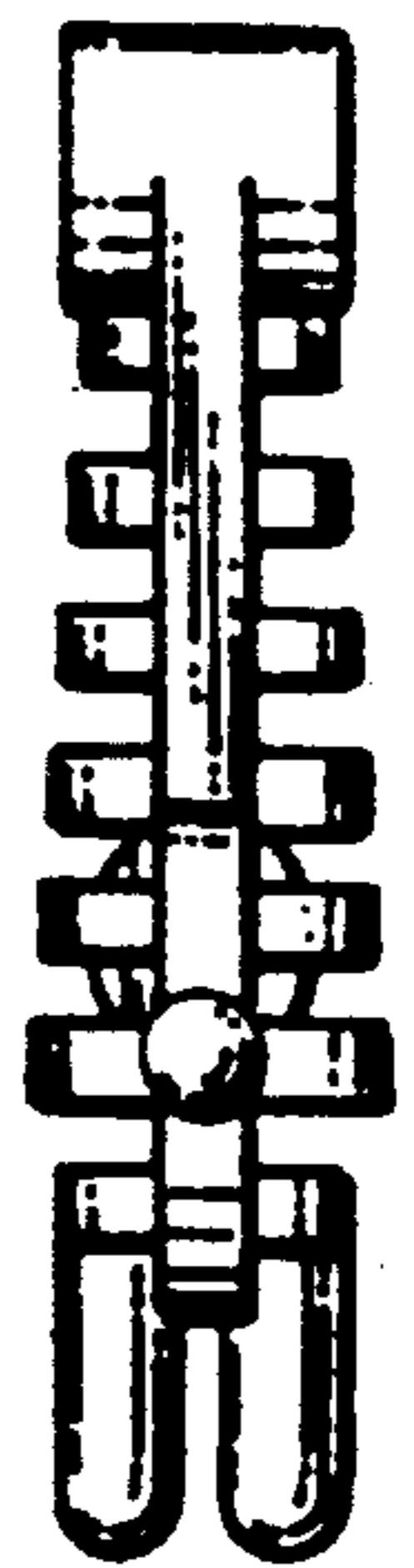


FIG. 5.

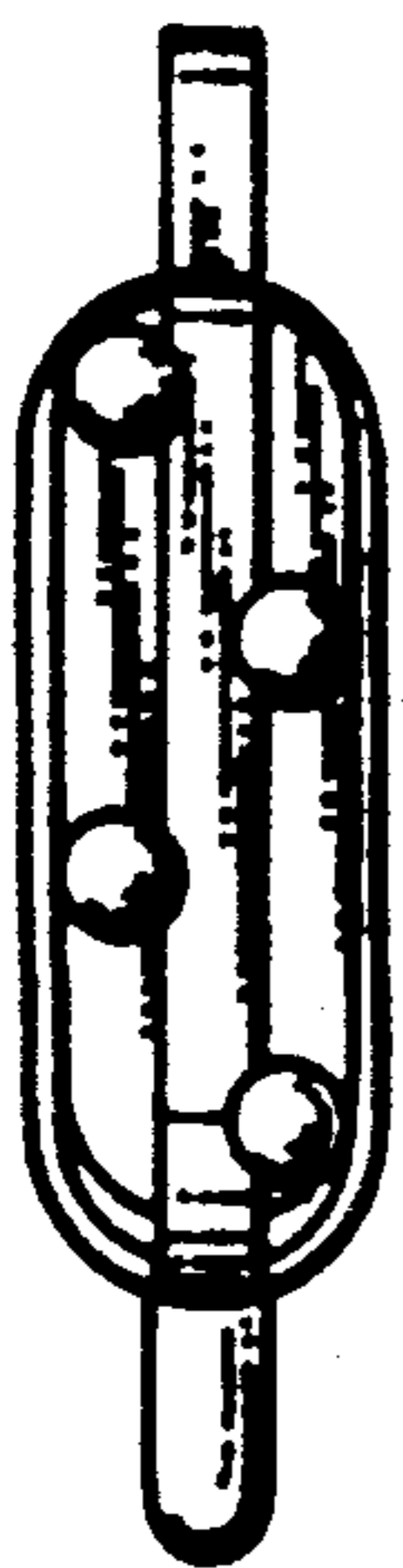


FIG. 7.

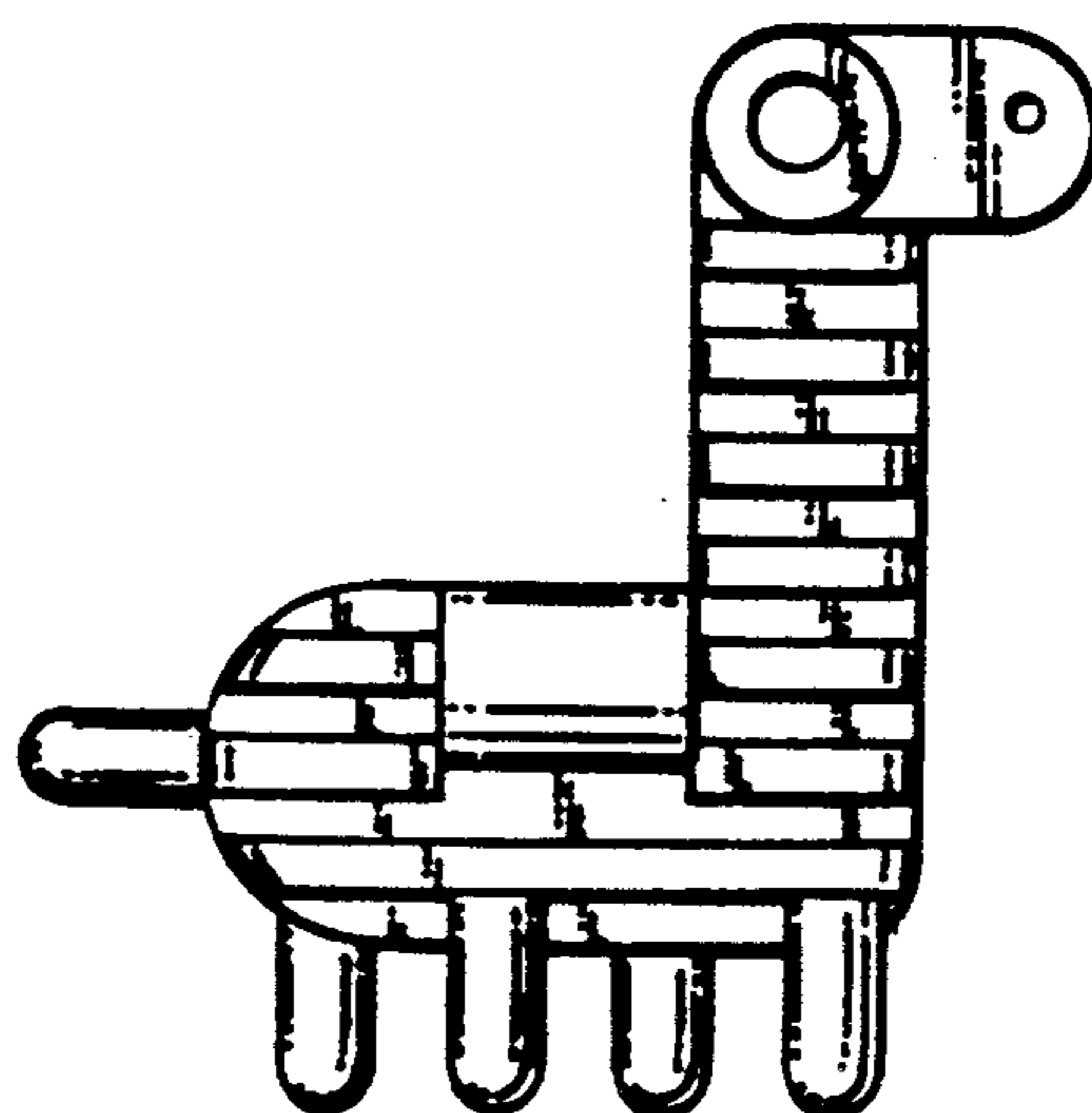


FIG. 6.