

[54] **SOUND SPRING TOY**

[75] **Inventor: John L. McChesney, Cupertino, Calif.**

[73] **Assignee: Toy Science, Inc., Scotts Valley, Calif.**

[**] **Term: 14 Years**

[21] **Appl. No.: 398,853**

[22] **Filed: Aug. 25, 1989**

[52] **U.S. Cl. D21/64**

[58] **Field of Search D21/64, 111; 446/416, 446/141; D14/240, 249**

2,853,145	9/1958	Martin .	
2,967,447	1/1961	Hanert .	
3,004,620	10/1961	Baschet .	
3,073,284	1/1963	Roberts .	
3,082,838	3/1963	Gajdosik .	
3,176,788	4/1965	Harris .	
3,343,298	9/1967	Green	446/416
3,347,337	10/1967	Mochida .	
3,424,850	1/1969	Southard .	
4,187,635	2/1980	Deissler .	
4,505,358	3/1985	Sielaff	446/141

FOREIGN PATENT DOCUMENTS

235596	6/1911	Fed. Rep. of Germany .
1027110	5/1953	France .
934632	8/1963	United Kingdom .

[56] **References Cited**

U.S. PATENT DOCUMENTS

D. 53,091	3/1919	Steinberger	D14/249
D. 53,455	6/1919	Moguire	D14/249
D. 170,564	10/1953	Bloss	D21/111
351,704	10/1886	Knudson .	
352,577	11/1886	Shaver .	
444,464	1/1891	Shaver .	
637,261	11/1899	Irving	446/416
1,199,196	9/1916	McGonigle .	
1,409,657	3/1922	Boynton .	
1,731,570	10/1929	Harrison .	
2,059,603	11/1936	Pflaum .	
2,230,836	2/1941	Hammond .	
2,399,972	5/1946	Zibelman .	
2,559,124	7/1951	Kerner	446/416

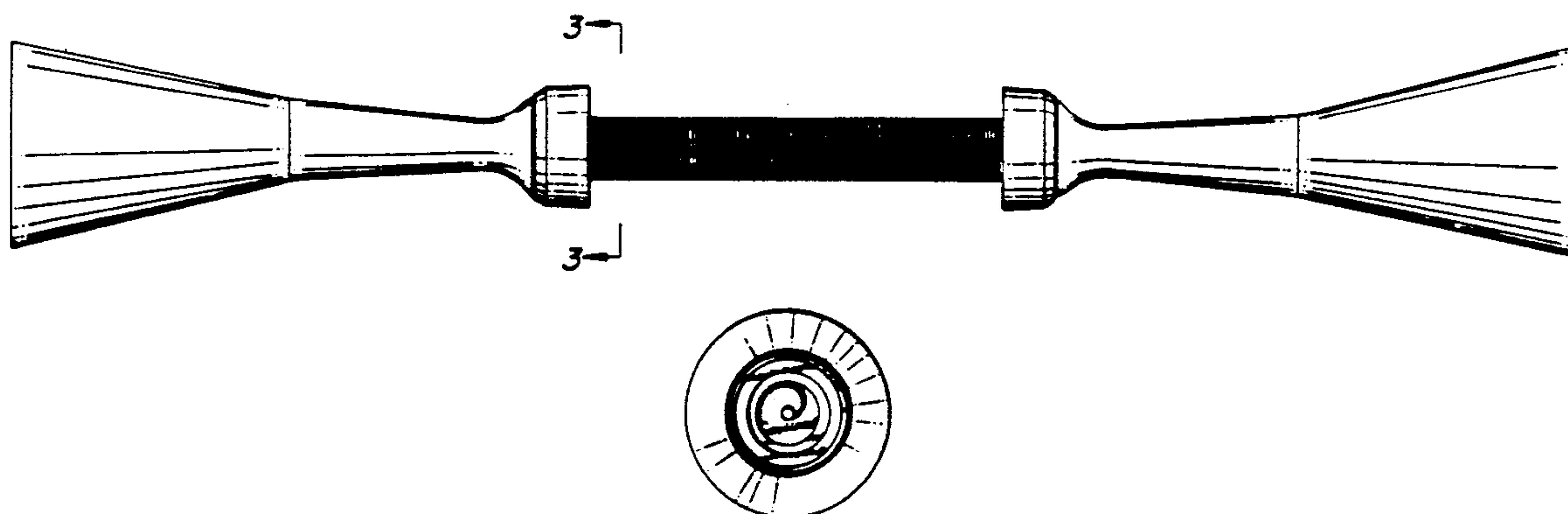
Primary Examiner—Bernard Ansher
Assistant Examiner—Dominic Simone
Attorney, Agent, or Firm—Townsend and Townsend

[57] **CLAIM**

The ornamental design for a sound spring toy, as shown and described.

DESCRIPTION

FIG. 1 is a front elevational view of a sound spring toy showing my new design, the rear elevational view and the top and bottom plan views being identical; FIG. 2 is a right side elevational view thereof, the left side elevational view being identical, and FIG. 3 is a cross sectional view thereof, taken in the direction of the arrows along line 3—3 of FIG. 1.



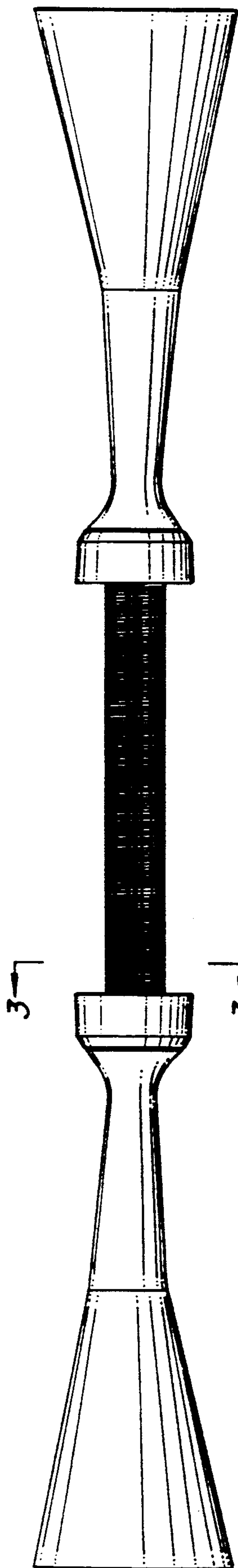


FIG.-1.

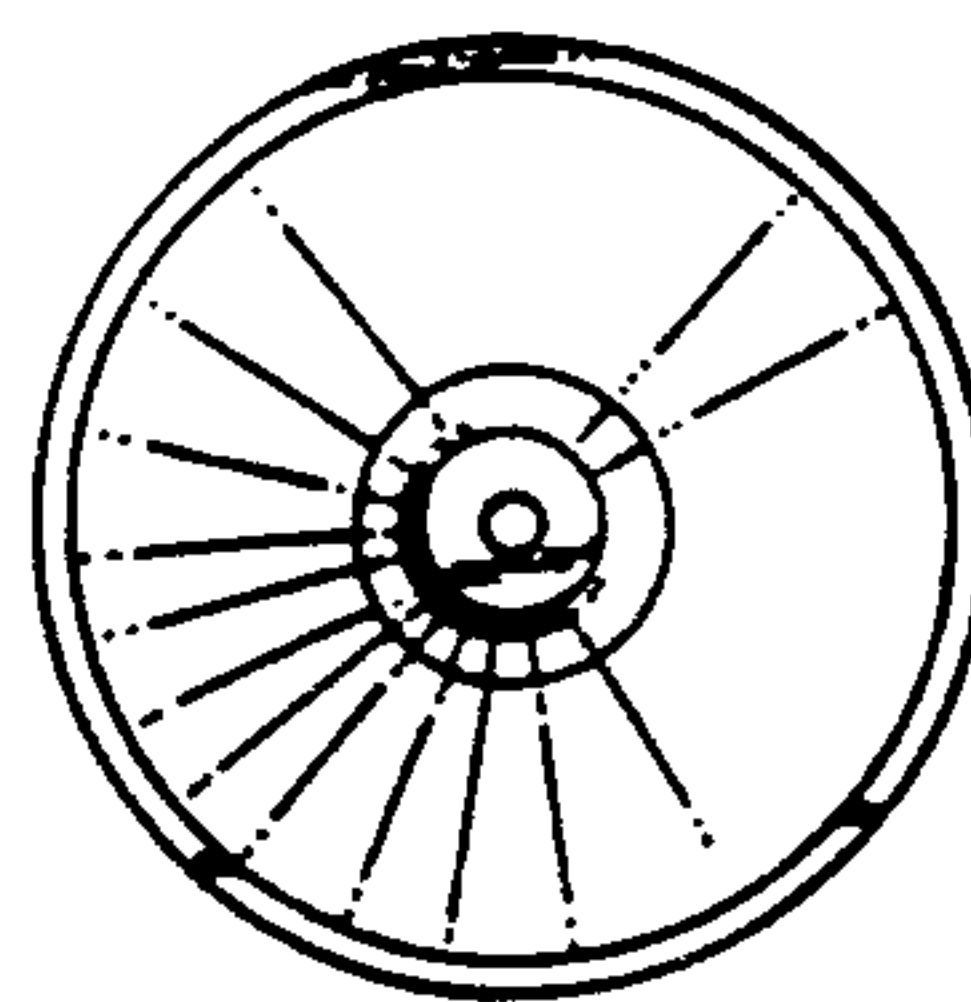


FIG.-2.

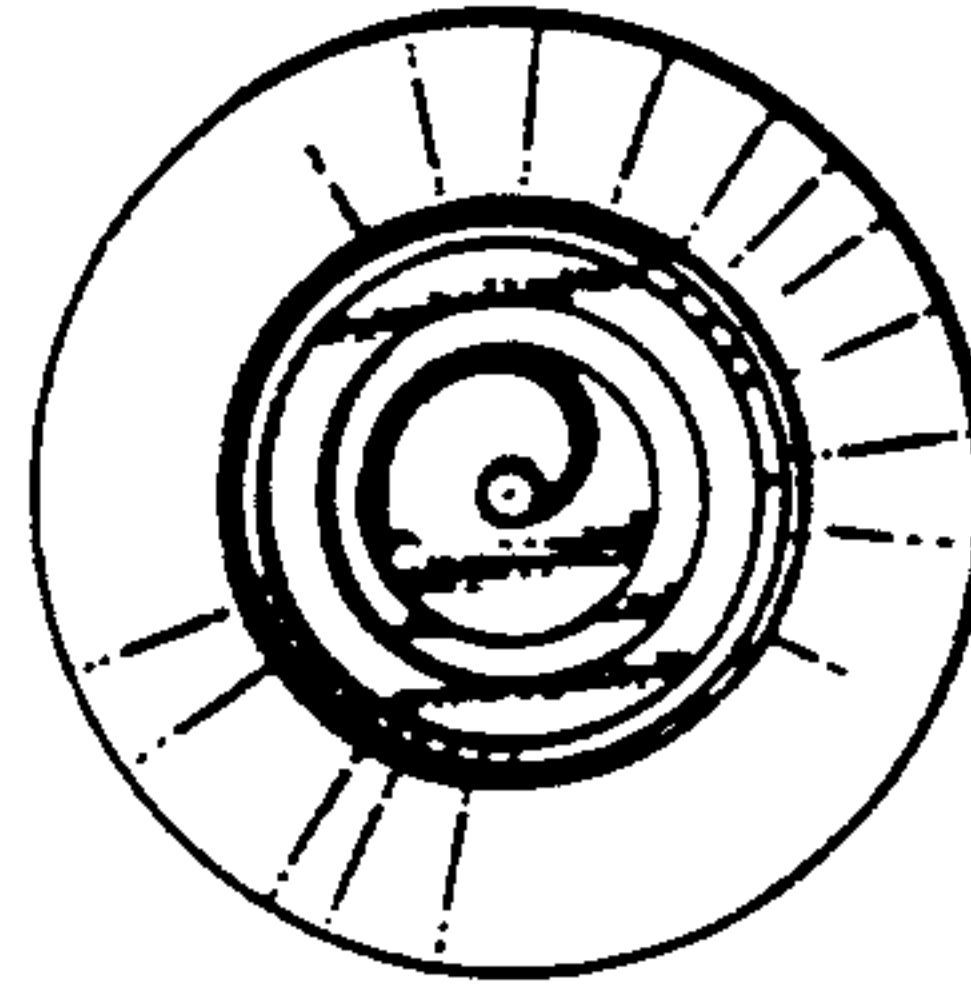


FIG.-3.