

[54] IDENTIFICATION TAG

[75] Inventor: Robert A. Immerman, Shaker Heights, Ohio

[73] Assignee: InterDesign, Inc., Solon, Ohio

[\*\*] Term: 14 Years

[21] Appl. No.: 459,592

[22] Filed: Jan. 2, 1990

[52] U.S. Cl. .... D20/28; D20/22

[58] Field of Search ..... D20/22, 23, 27, 28, D20/40, 42, 43, 44; 40/1, 1.5, 1.6, 5, 6, 299, 633, 376, 492, 634, 649, 662, 663, 664, 2 R

[56] References Cited

U.S. PATENT DOCUMENTS

1,063,577	6/1913	Moran	40/492
1,461,565	7/1923	Velte	40/1.6
2,268,095	12/1941	Tiebel	40/492
3,102,669	9/1963	Brady	40/2 R
4,070,775	1/1978	Brooks	40/492
4,197,665	4/1980	Süter	40/642
4,616,435	10/1986	Perfect	40/6
4,920,675	5/1990	Mashimo	40/1

Primary Examiner—Wallace R. Burke

Assistant Examiner—Marcus Jackson  
Attorney, Agent, or Firm—D. Peter Hochberg; Mark Kusner; Louis J. Weisz

[57] CLAIM

The ornamental design for a identification tag, as shown and described.

DESCRIPTION

FIG. 1 is a top plan view of an identification tag showing my new design, with the tag shown in open condition;

FIG. 2 is a front elevational view thereof;

FIG. 3 is a bottom plan view thereof;

FIG. 4 is a rear elevational view thereof;

FIG. 5 is a left side elevational view thereof, with the tag shown in closed condition;

FIG. 6 is a right side elevational view thereof;

FIG. 7 is a top plan view thereof, with the broken lines showing for illustrative purposes only and forming no part of the claimed design;

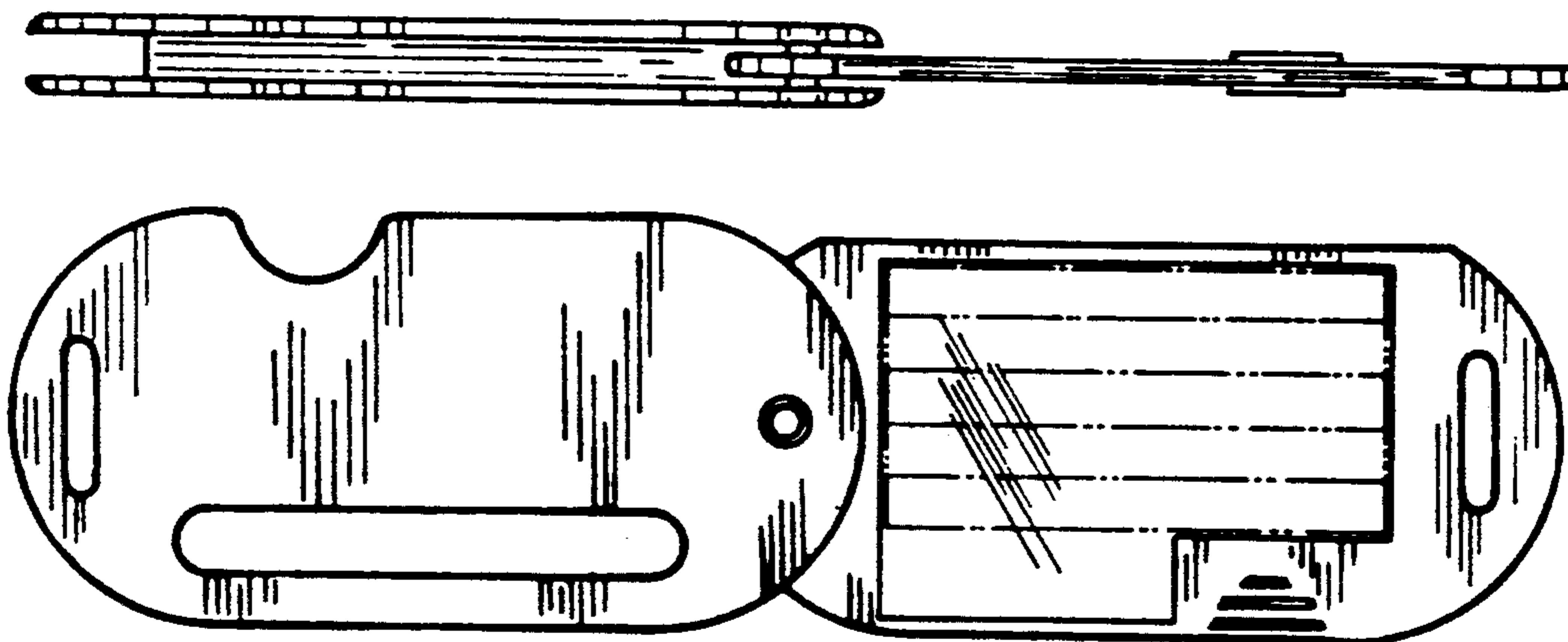
FIG. 8 is a front elevational view thereof;

FIG. 9 is a bottom plan view thereof;

FIG. 10 is a rear elevational view thereof;

FIG. 11 is a left side elevational view thereof;

FIG. 12 is a right side elevational view thereof.



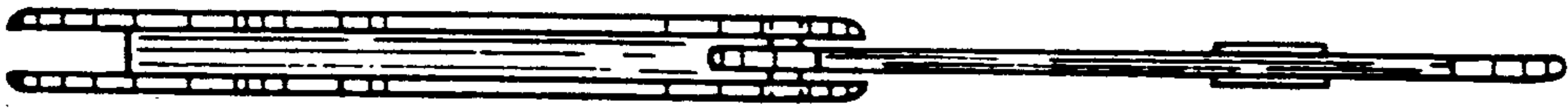


FIG. 1

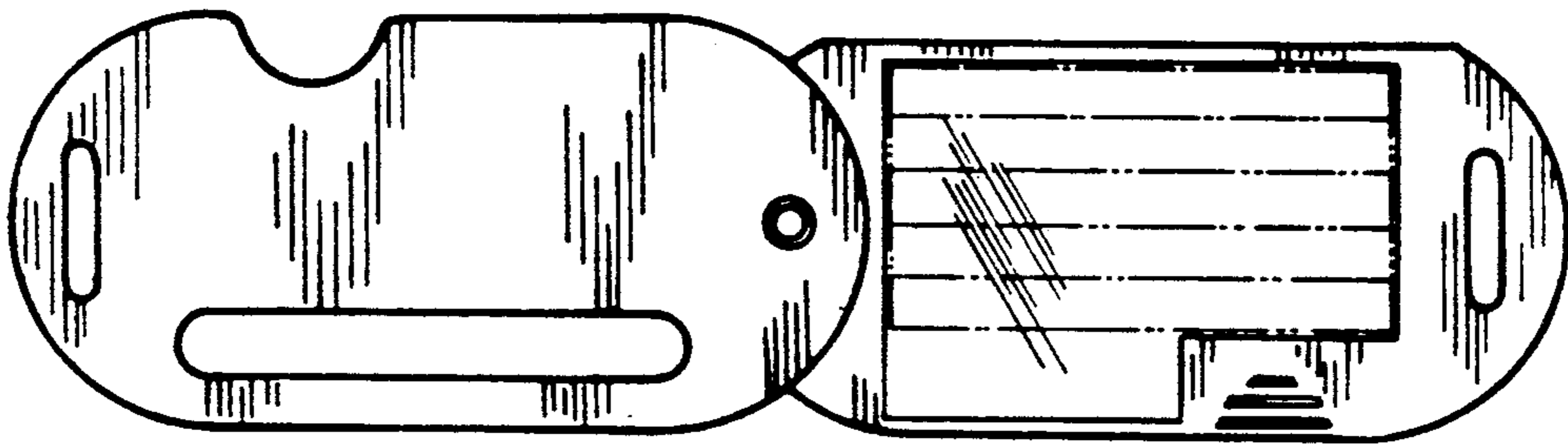


FIG. 2



FIG. 3

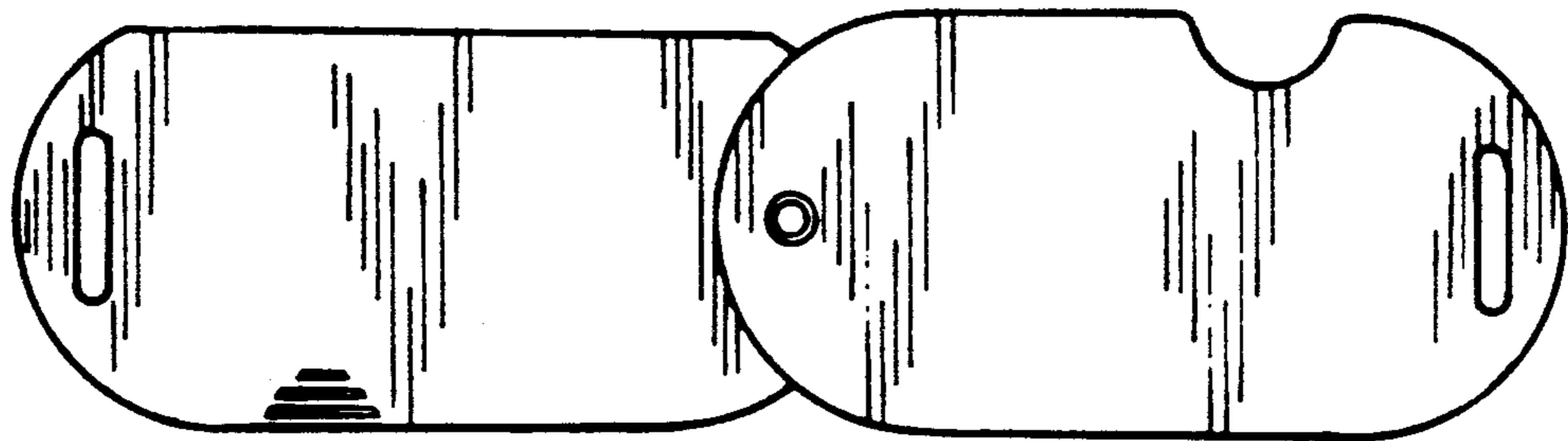


FIG. 4



FIG. 5



FIG. 6

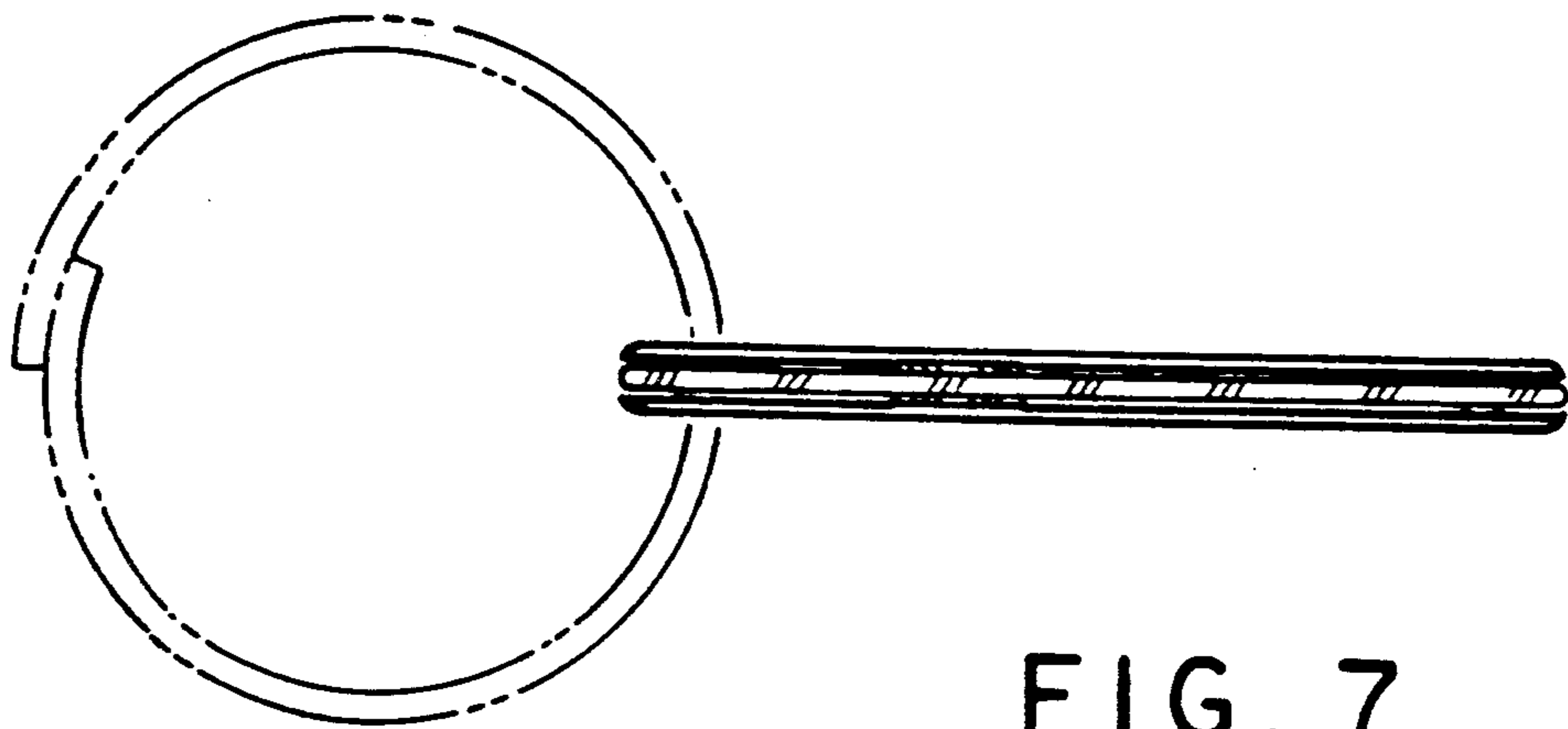


FIG. 7

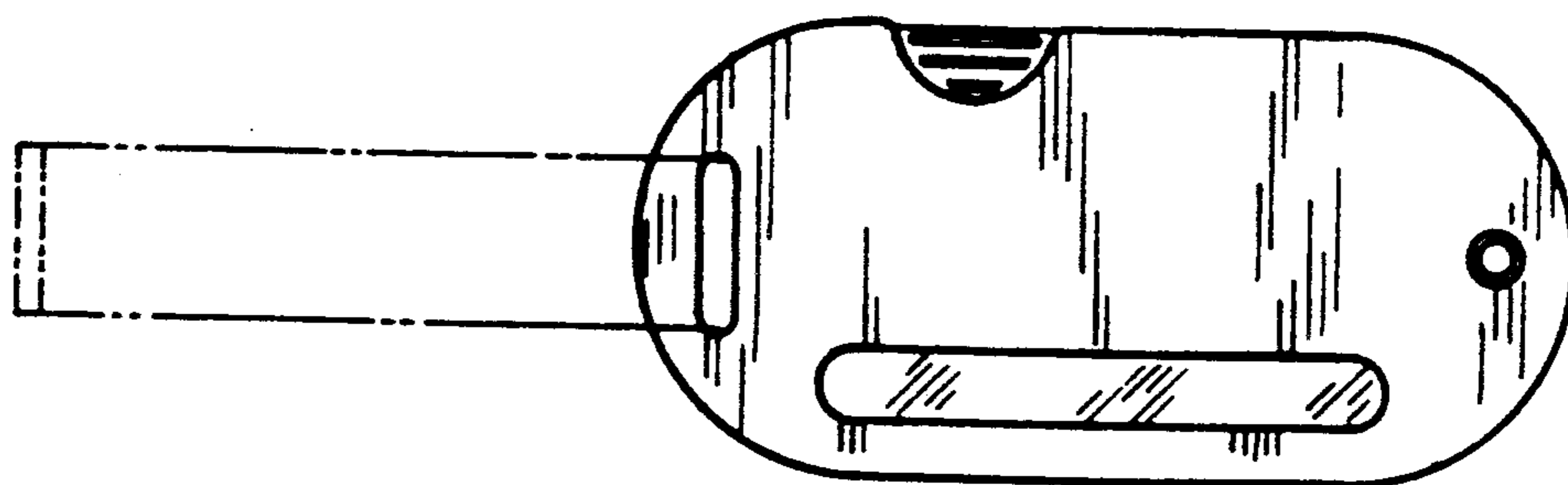


FIG. 8

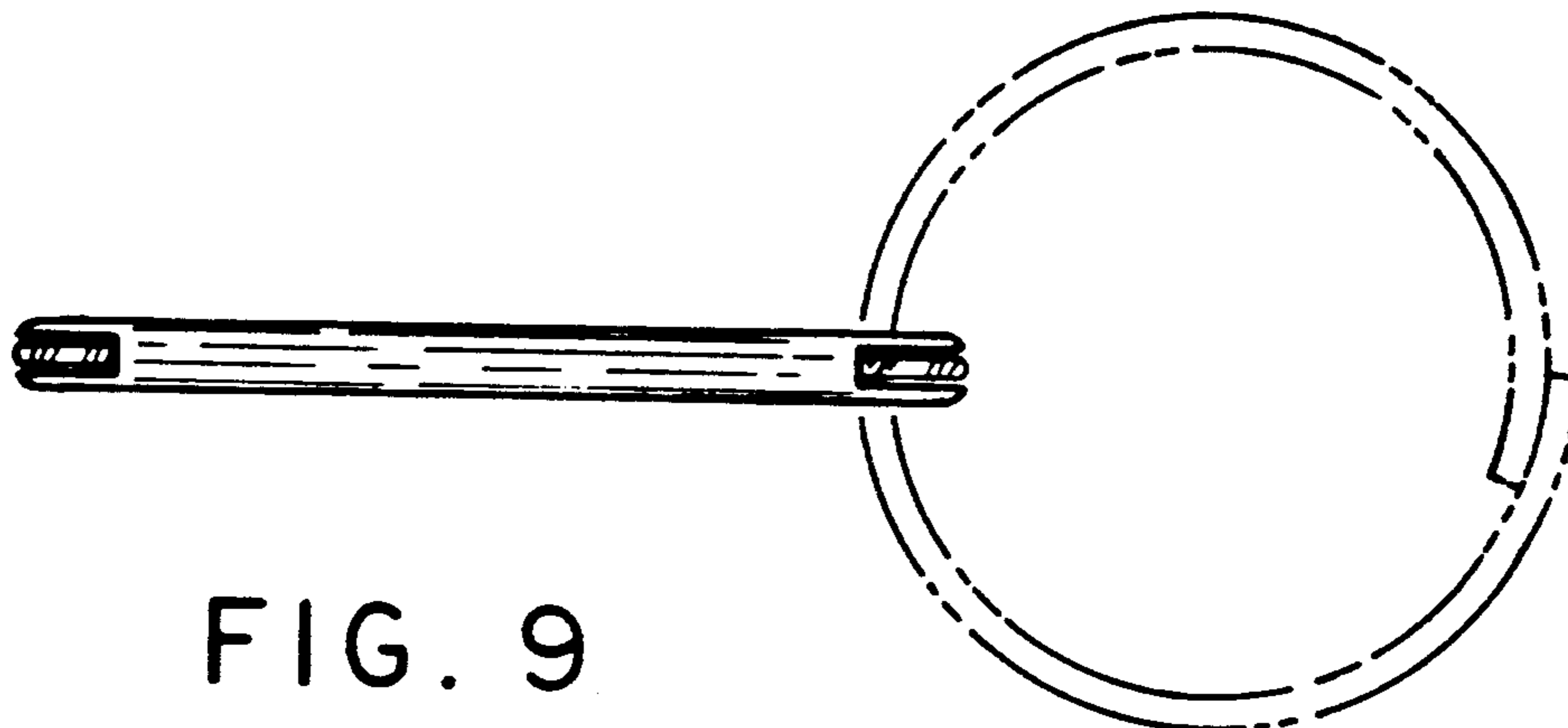


FIG. 9

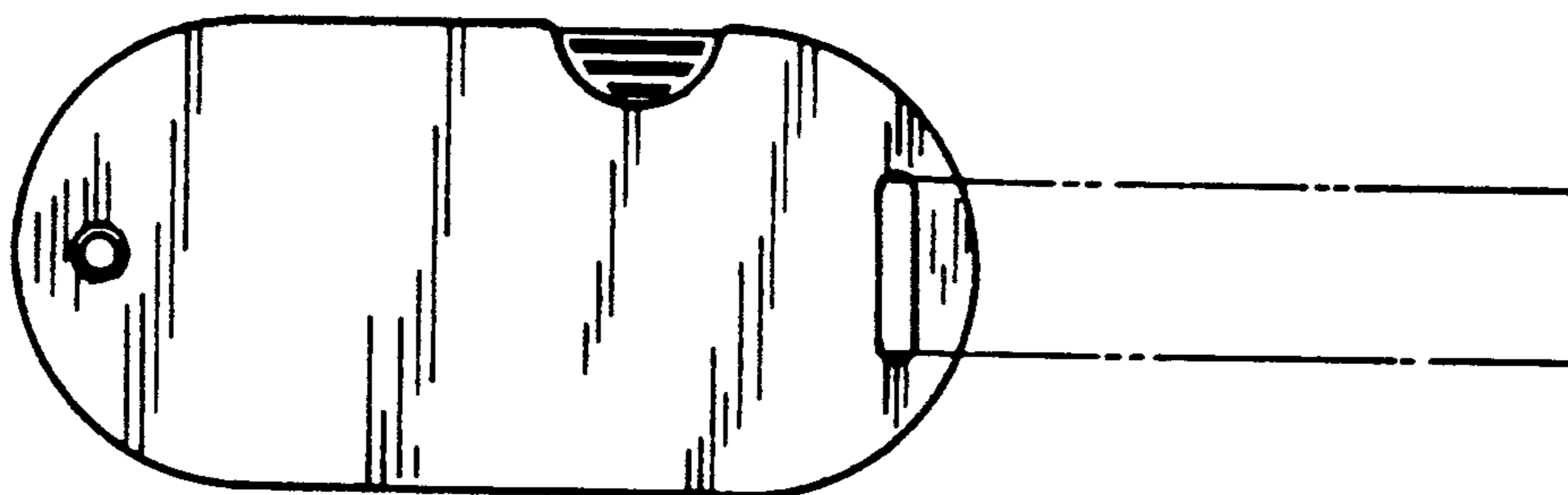


FIG. 10



FIG. 11



FIG. 12