

[54] COMBINED WRITING SURFACE AND STORAGE TRAY FOR ATTACHMENT TO AN INSTITUTIONAL-TYPE SCALE

3,240,170 3/1966 Shave ..... 211/126  
3,380,701 4/1968 Bycus ..... 248/459  
3,410,516 11/1968 Criswell ..... 248/459  
3,794,284 2/1974 Guenther ..... 248/441.1

[76] Inventor: Patrick J. Wilson, 717 Columbia Ave., Green Bay, Wis. 54303

Primary Examiner—Bruce W. Dunkins  
Assistant Examiner—Martha Thompson

[\*\*] Term: 14 Years

[57] CLAIM

[21] Appl. No.: 380,265

The ornamental design for a combined writing surface and storage tray for attachment to an institutional-type scale, as shown and described.

[22] Filed: Jul. 17, 1989

[52] U.S. Cl. .... D19/88; D19/52; D19/65; D19/90; D19/91; D6/310

DESCRIPTION

[58] Field of Search ..... D6/419, 310, 440; D19/65, 35, 75, 86, 90, 91, 99, 100; D20/21; 248/441.1, 442.2, 459; 211/126

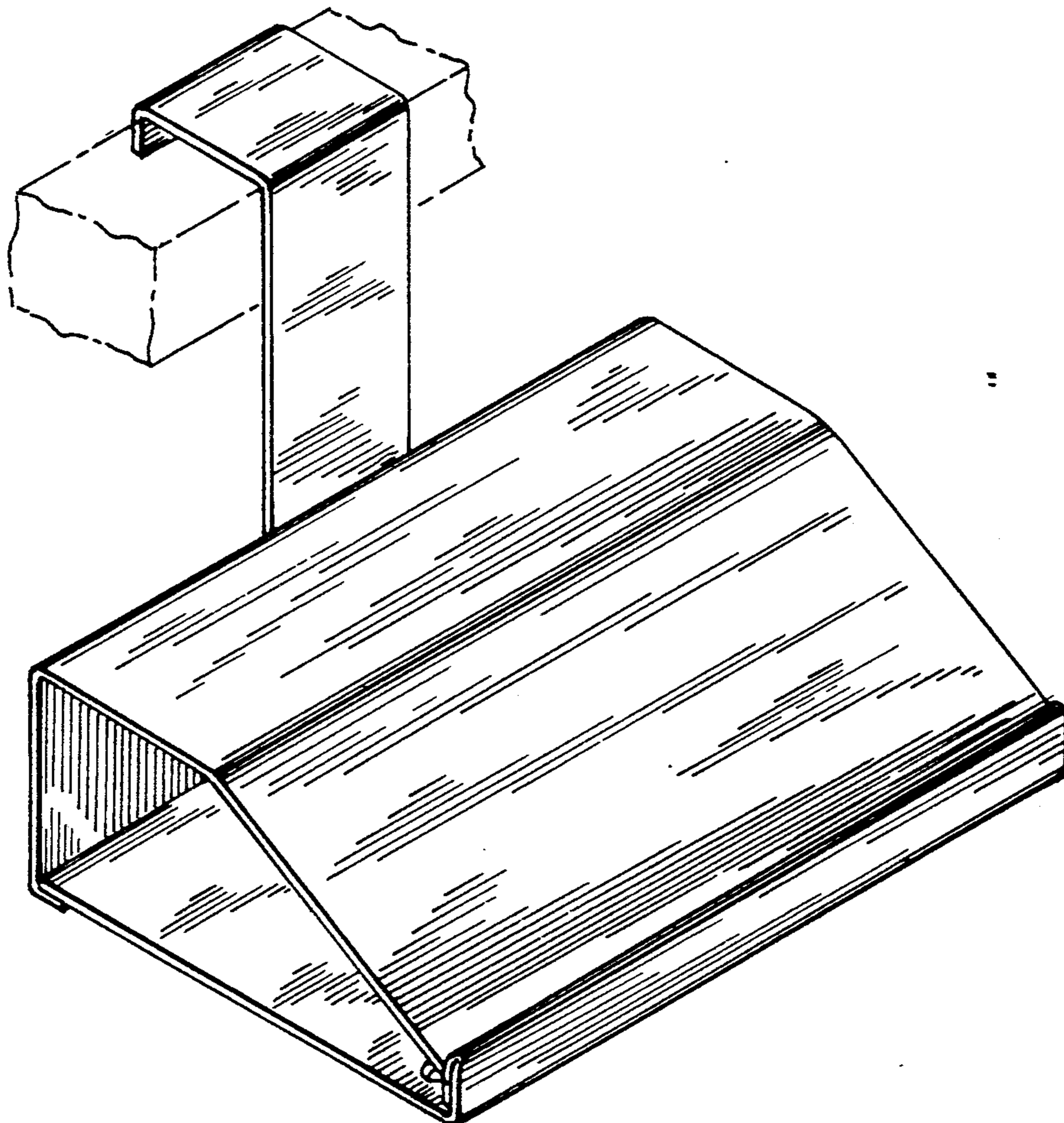
FIG. 1 is a top, left front perspective view of a combined writing surface and storage tray for attachment to an institutional-type scale showing my new design; FIG. 2 is a right side elevational view, the left side being a mirror image; FIG. 3 is a front elevational view; FIG. 4 is a top plan view; FIG. 5 is a rear elevational view; and FIG. 6 is a bottom plan view thereof.

[56] References Cited

U.S. PATENT DOCUMENTS

D. 74,421 2/1928 Fishman ..... D6/440  
D. 253,740 12/1979 Dubler ..... D19/91 X  
D. 258,479 3/1981 Mills ..... D19/91 X  
D. 281,842 12/1985 Blocklinger ..... D6/419  
D. 306,105 2/1990 Newhouse ..... D6/440  
3,055,510 9/1962 Coates ..... D20/21

The fragmentary support member of a scale depicted by means of broken lines in FIG. 1 is shown for illustrative purposes only and forms no part of the claimed design.



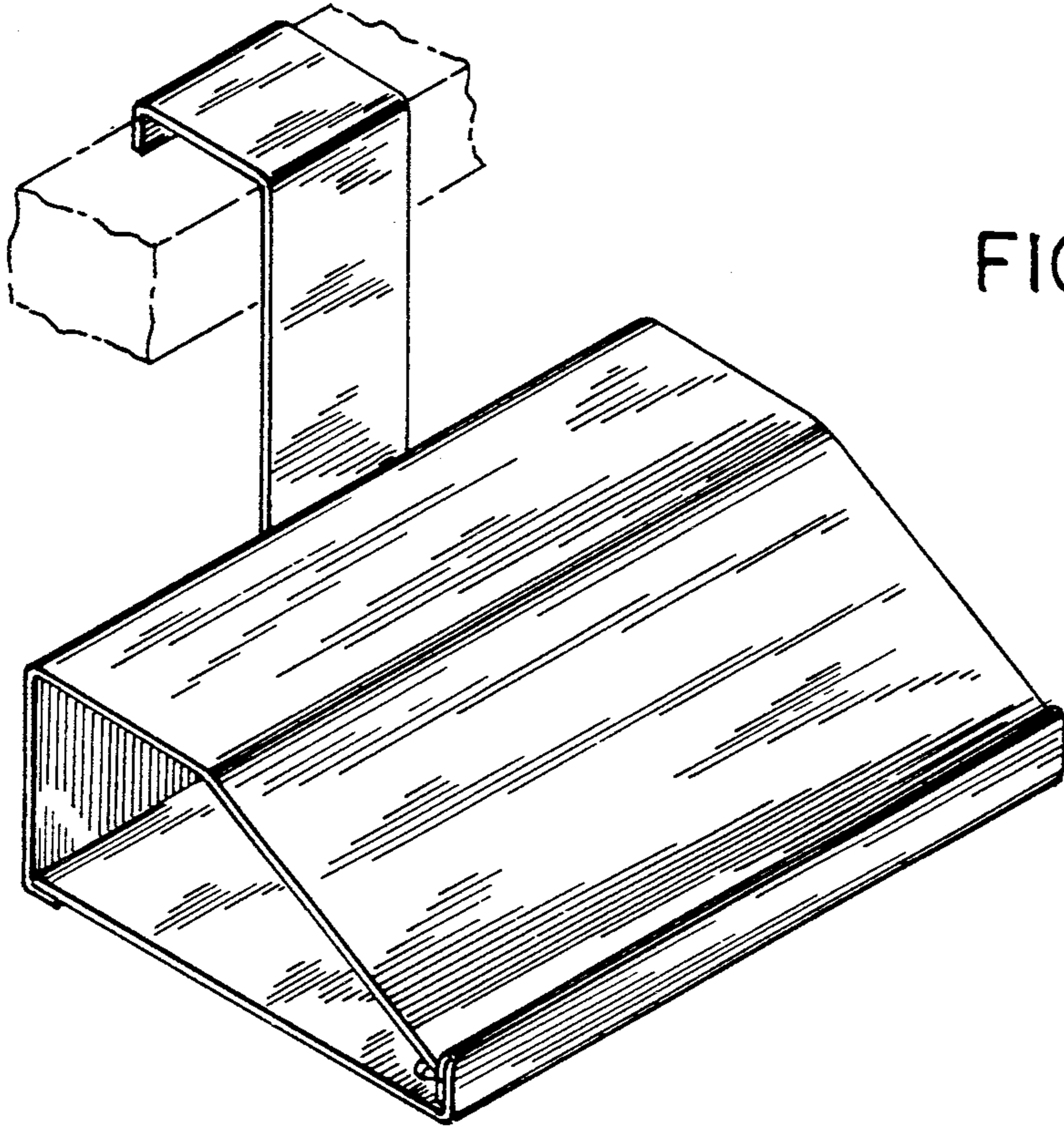


FIG. 1

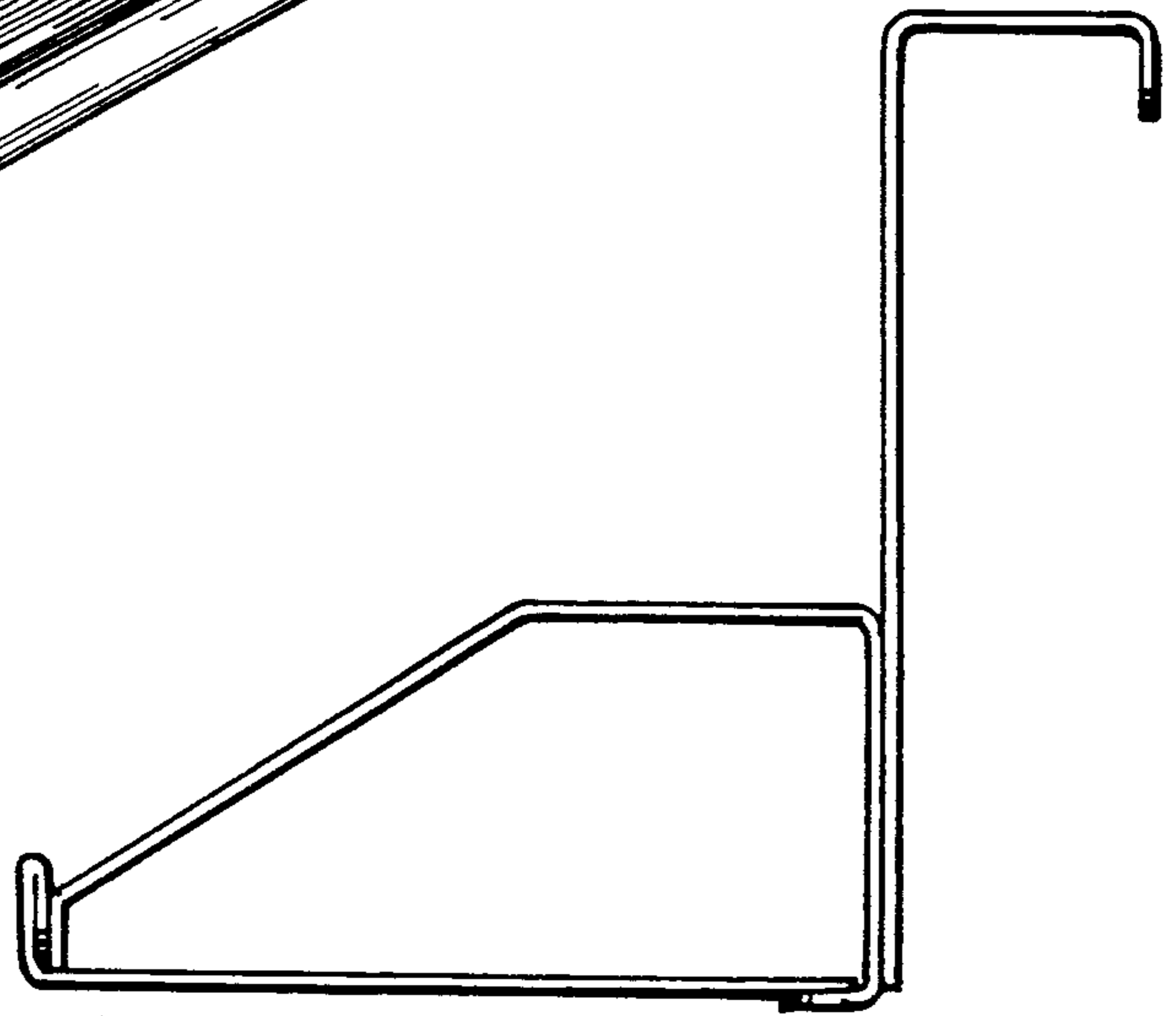


FIG. 2

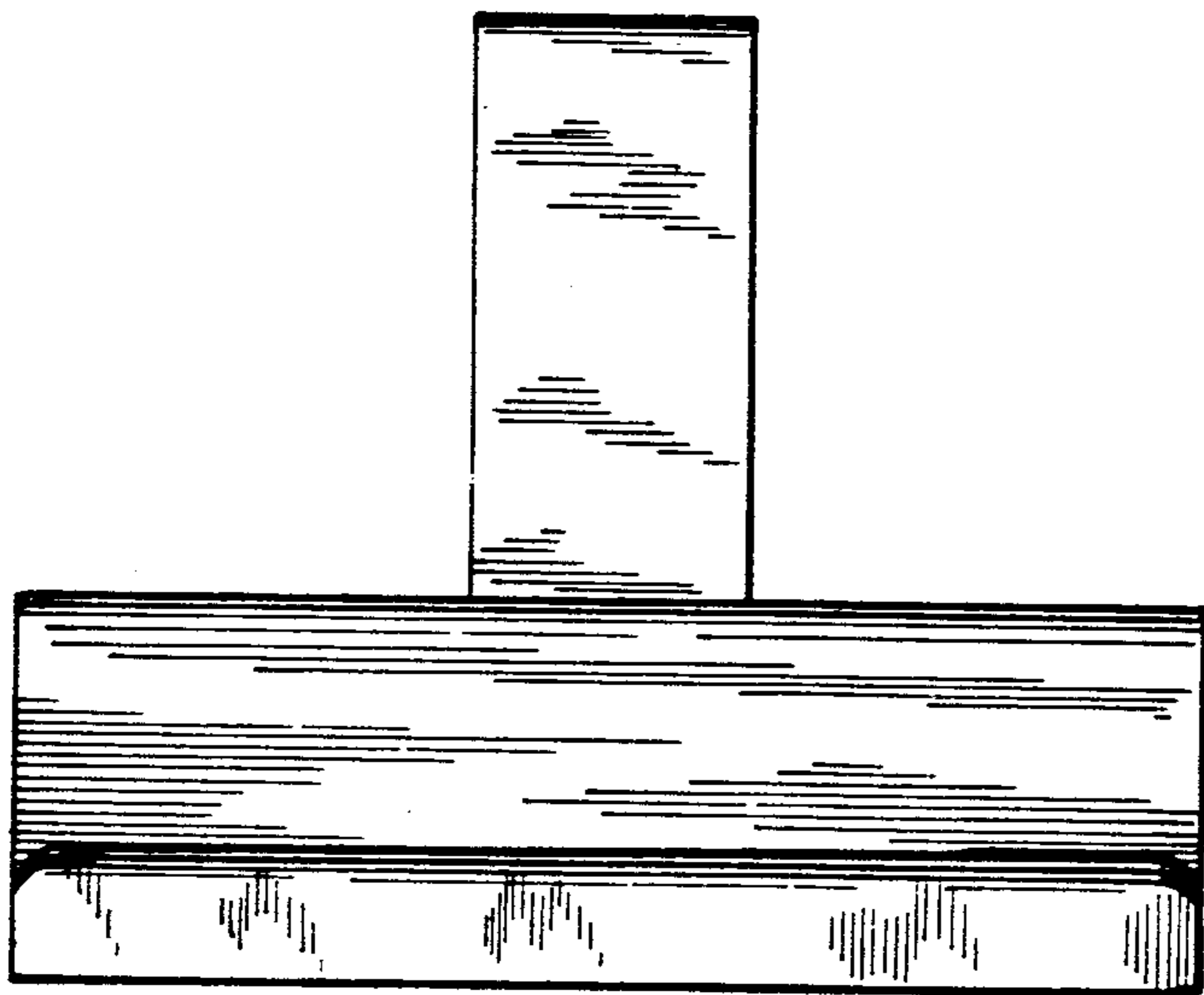


FIG. 3

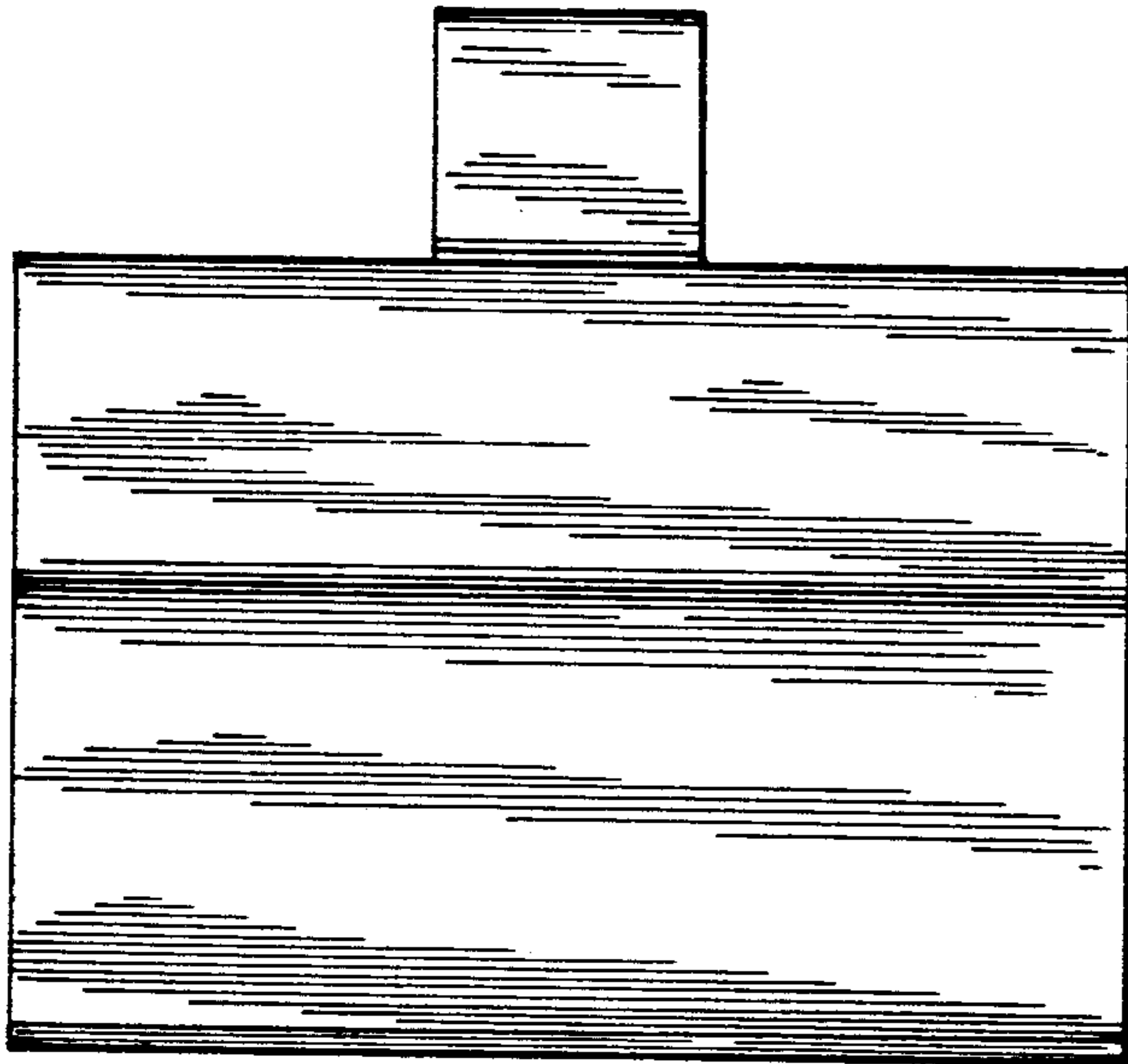


FIG. 4

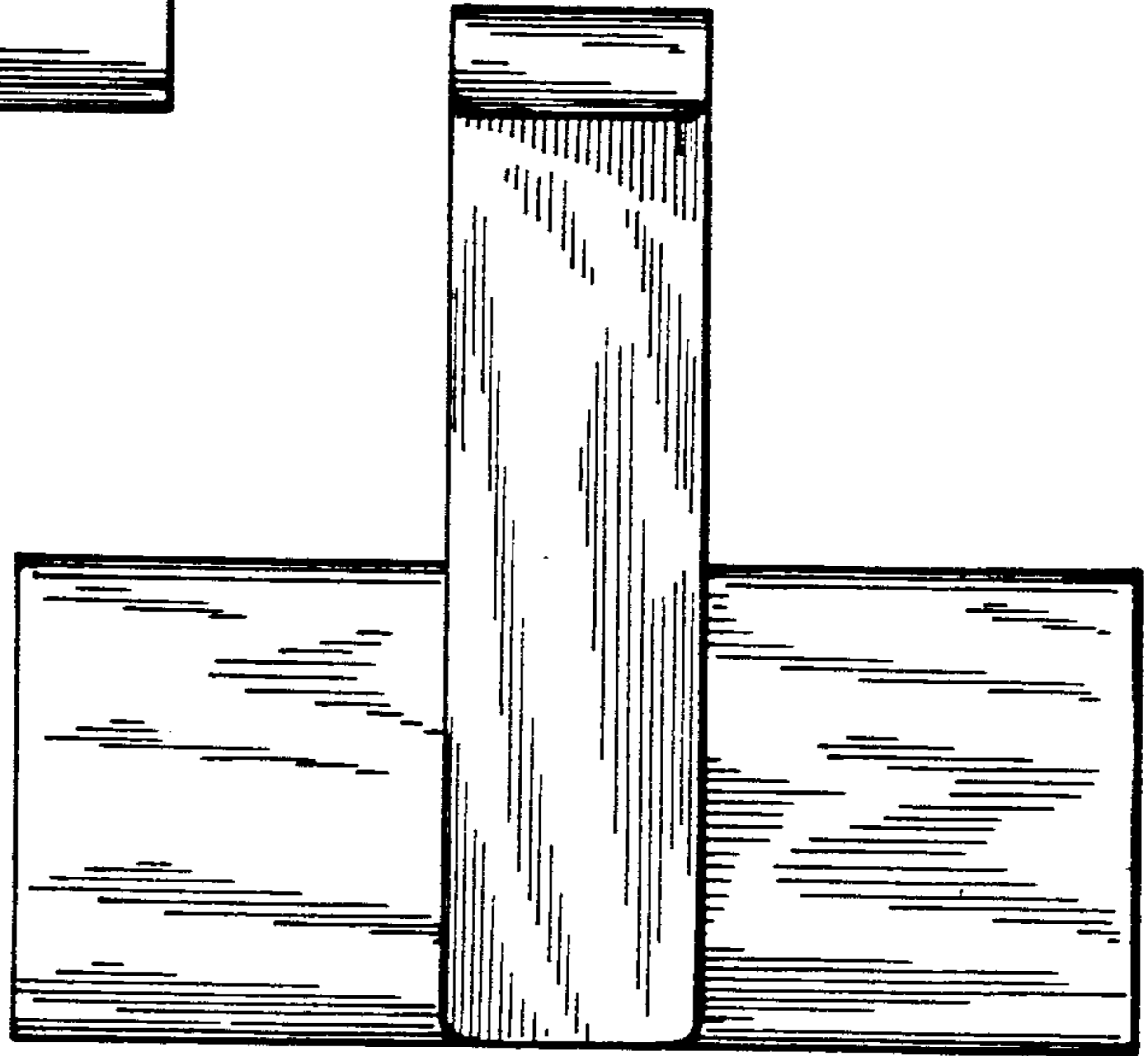


FIG. 5

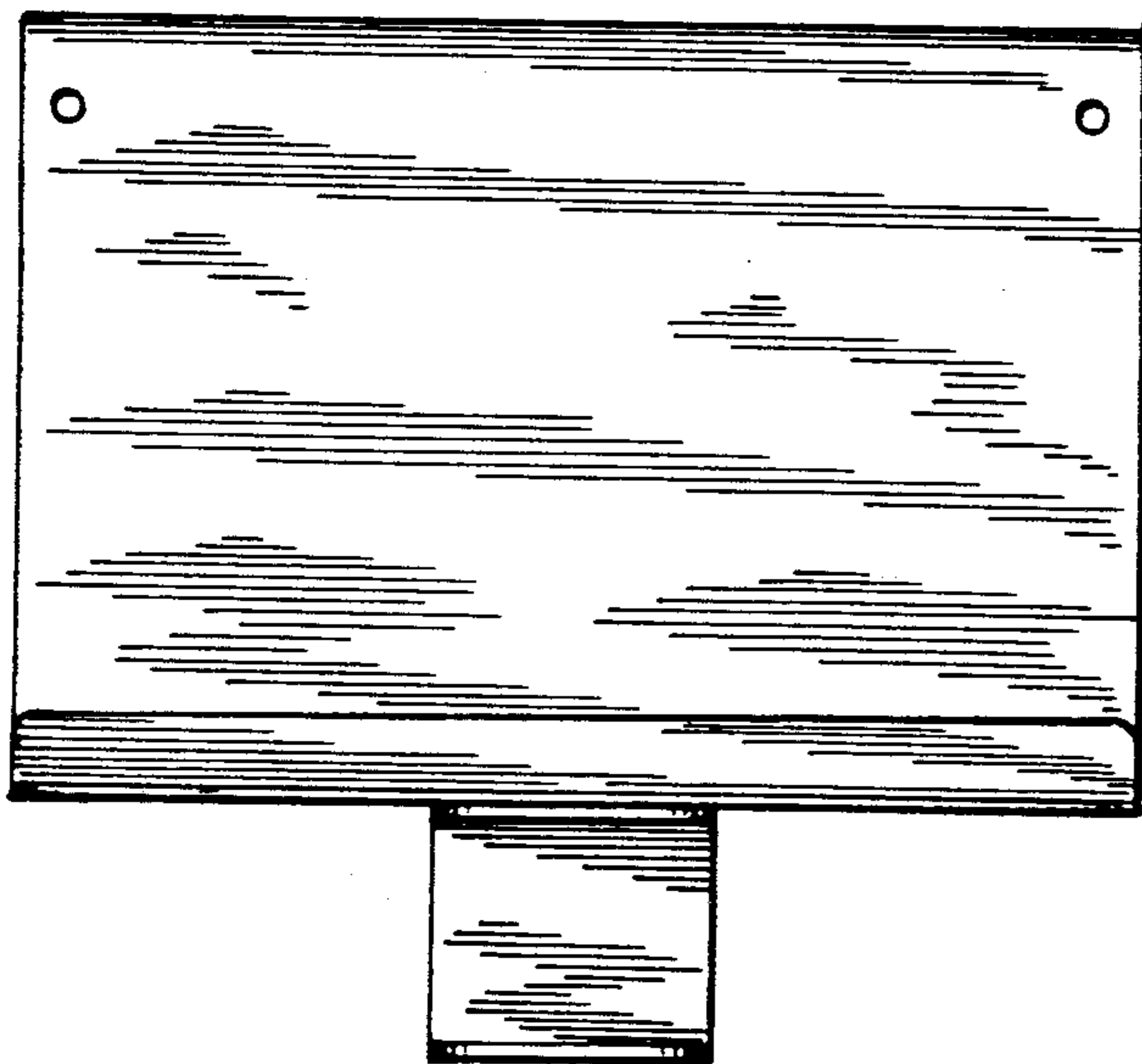


FIG. 6