

[54] PRINTER

4,854,757 8/1989 Kikuchi D18/13

[75] Inventor: Isao Sugimoto, Tokyo, Japan

[73] Assignee: Citizen Watch Co., Ltd., Tokyo, Japan

[**] Term: 14 Years

[21] Appl. No.: 360,717

[22] Filed: Jun. 2, 1989

[30] Foreign Application Priority Data

Mar. 7, 1989 [JP] Japan 1-8055

[52] U.S. Cl. D18/54

[58] Field of Search D18/13; D14/111; 101/420; 400/613, 613.2-613.4, 691-694

[56] References Cited

U.S. PATENT DOCUMENTS

- D. 269,782 7/1983 Canning et al. D18/13
- D. 274,431 6/1984 Nagaya D14/111
- D. 278,821 5/1985 Maruyama D14/111
- D. 286,052 10/1986 Peart et al. D14/111
- D. 287,727 1/1987 Kurihara D14/111
- D. 295,045 4/1988 Kuroki D18/13
- D. 301,152 5/1989 Kato et al. D18/13
- D. 305,550 1/1990 Yomo D18/13

OTHER PUBLICATIONS

Byte; Jul. 1984; p. 11; Texas Instruments TI Omni 800 Model 855 Printer Advertisement.

Primary Examiner—A. Hugo Word
Assistant Examiner—Cathy Anne MacCormac
Attorney, Agent, or Firm—Cushman, Darby & Cushman

[57] CLAIM

The ornamental design for a printer, as shown and described.

DESCRIPTION

FIG. 1 is a top, front and right side perspective view of a printer showing my new design;
FIG. 2 is a bottom, rear and left side perspective view thereof;
FIG. 3 is a front elevational view thereof;
FIG. 4 is a rear elevational view thereof;
FIG. 5 is a top plan view thereof;
FIG. 6 is a bottom plan view thereof;
FIG. 7 is a right side elevational view thereof;
FIG. 8 is a left side elevational view thereof; and
FIG. 9 is a top, front and right side perspective view thereof showing paper traction unit in standing position.

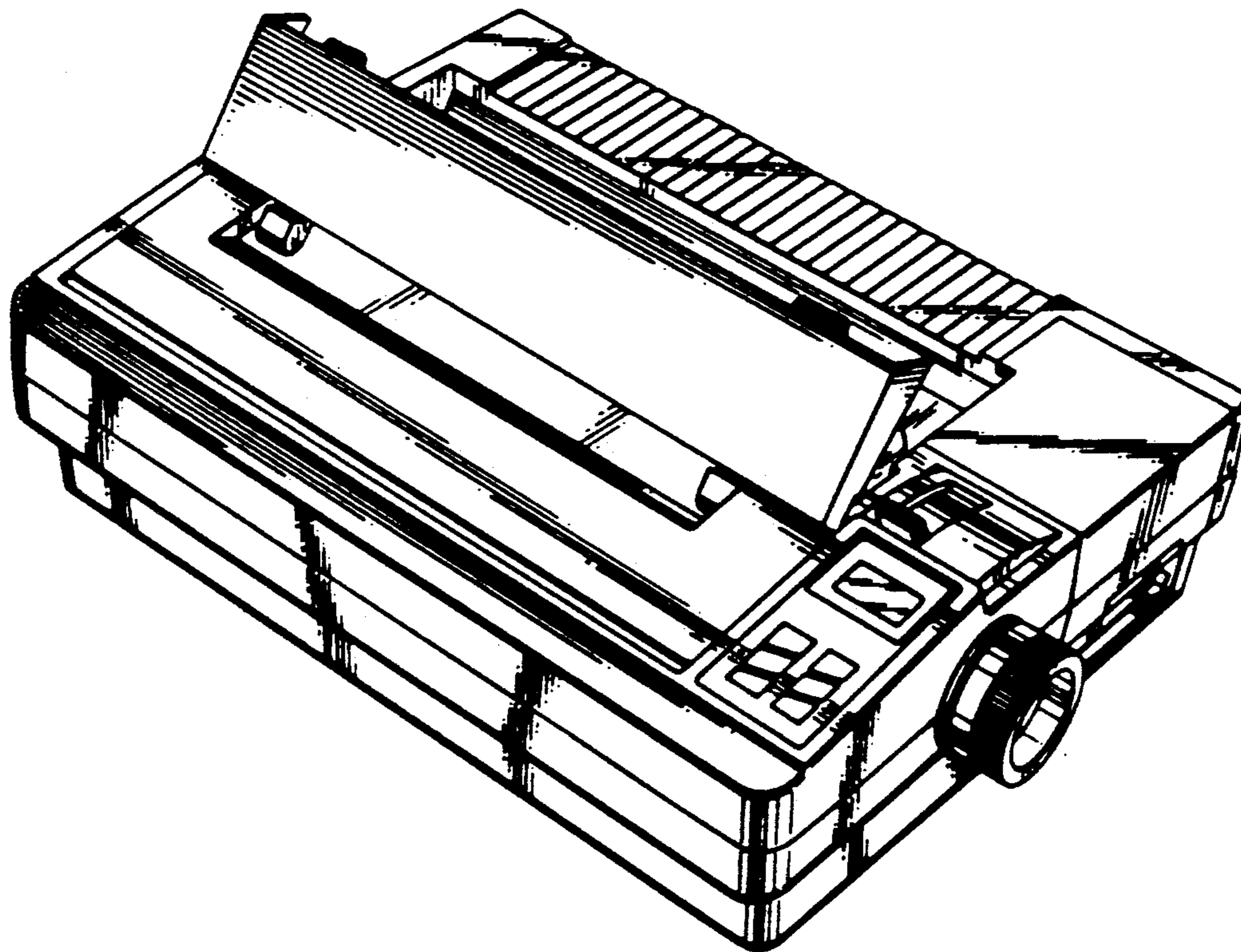


FIG. 1

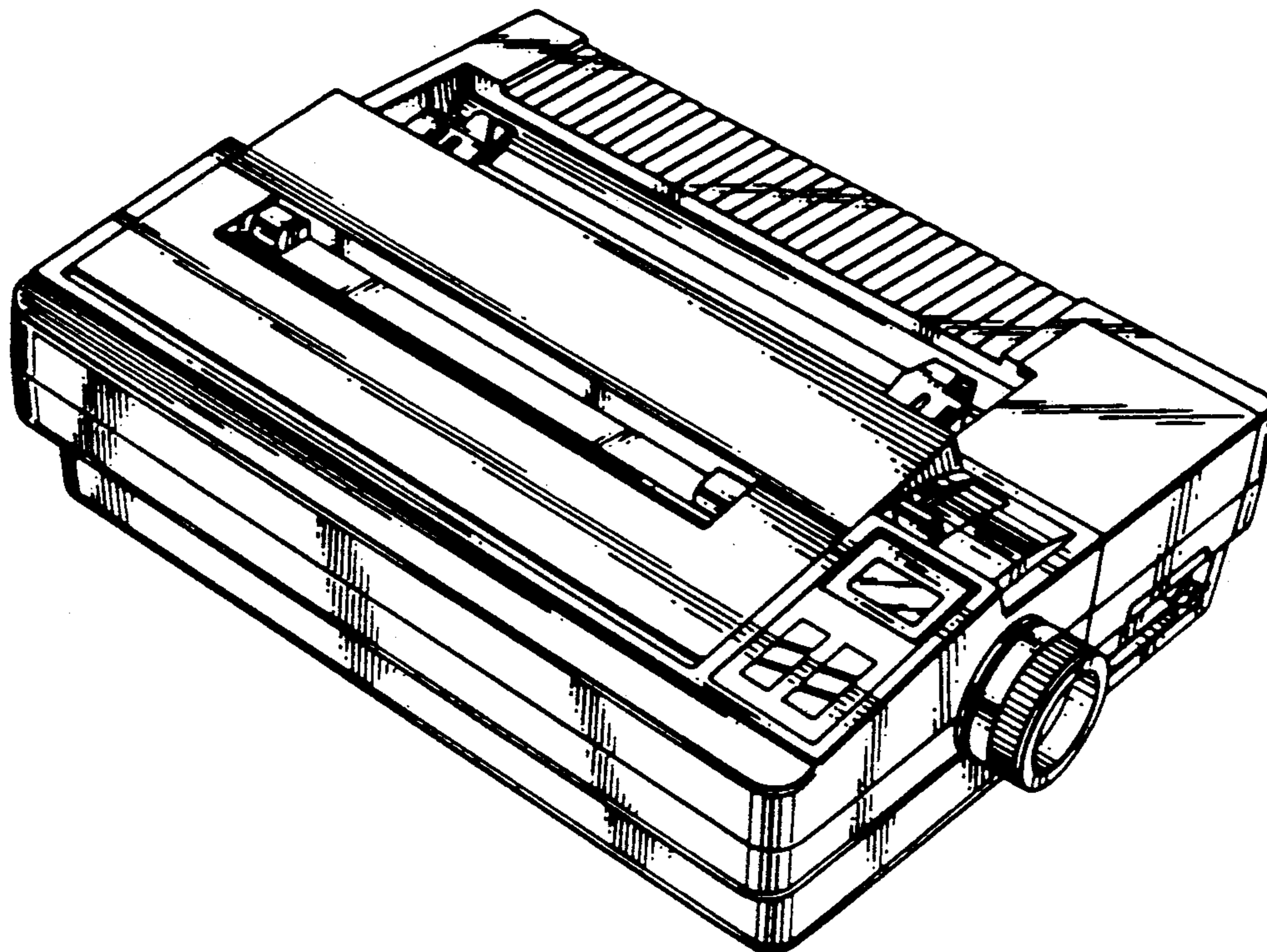


FIG. 2

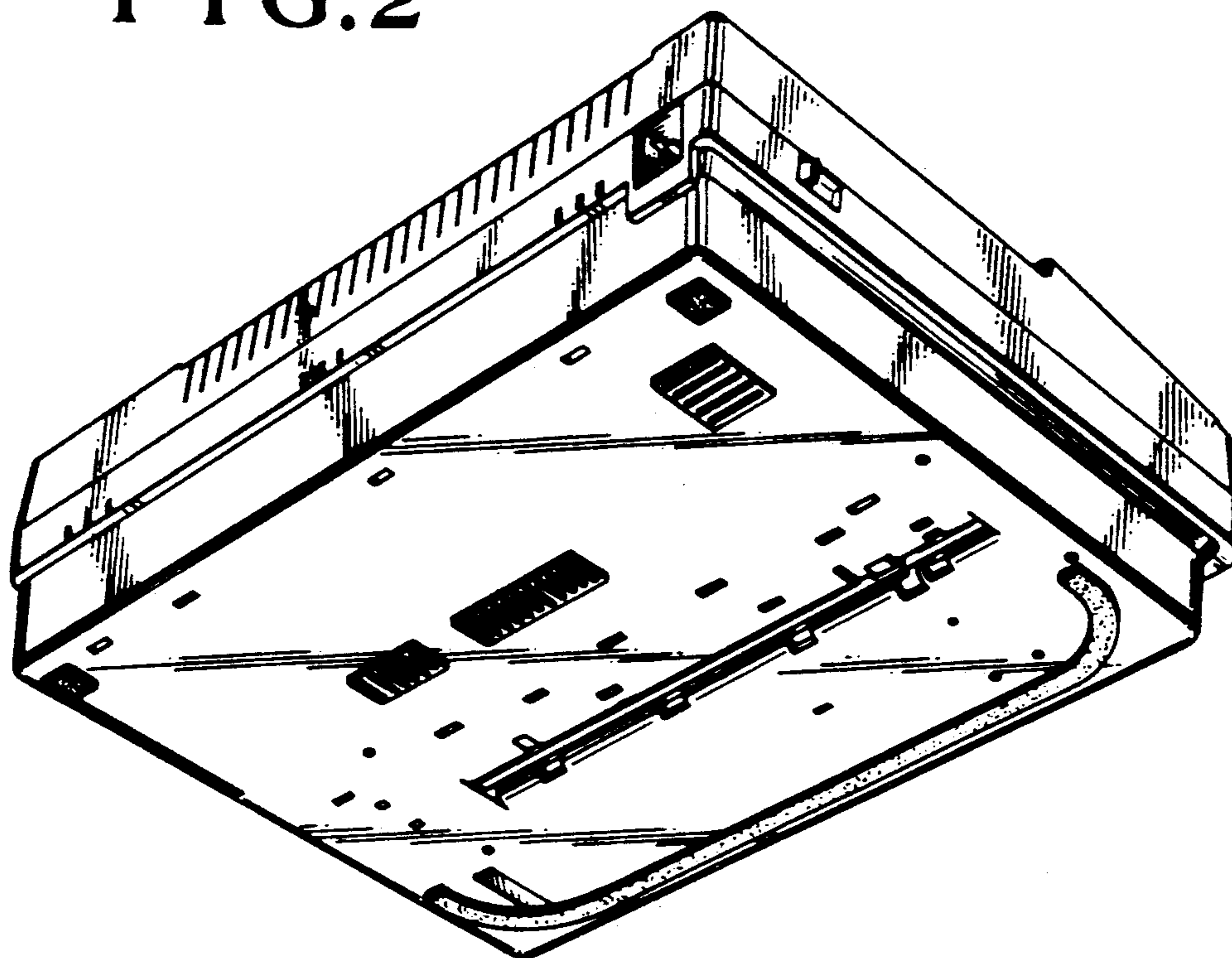


FIG.3



FIG.4

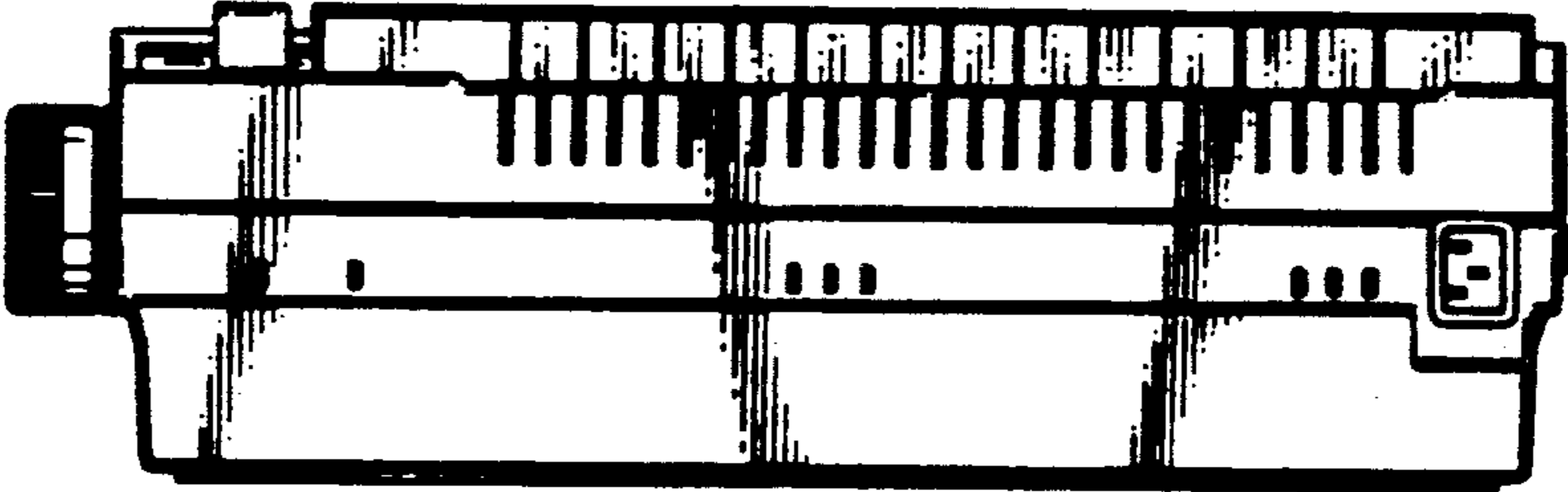


FIG.5

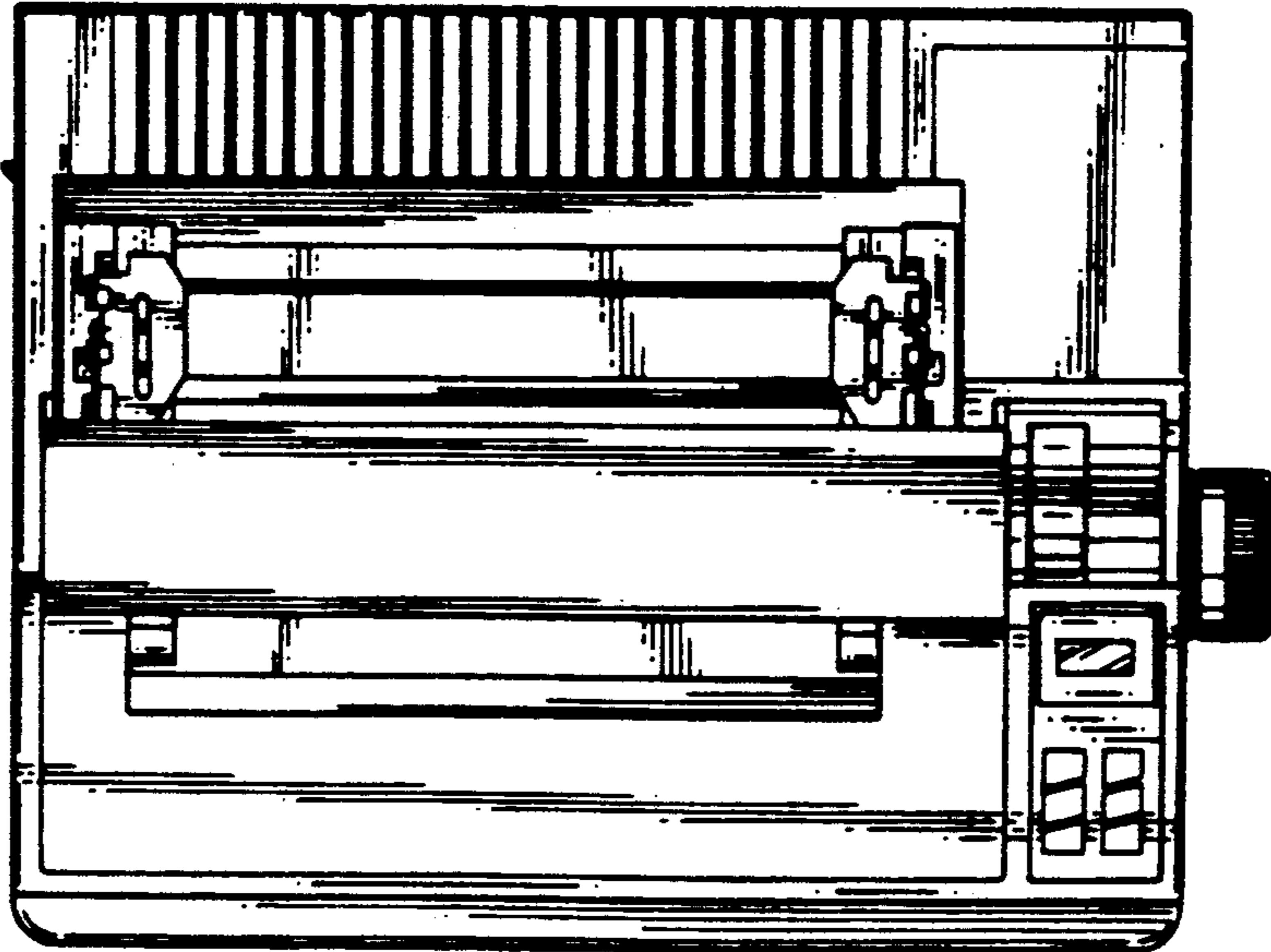


FIG.6

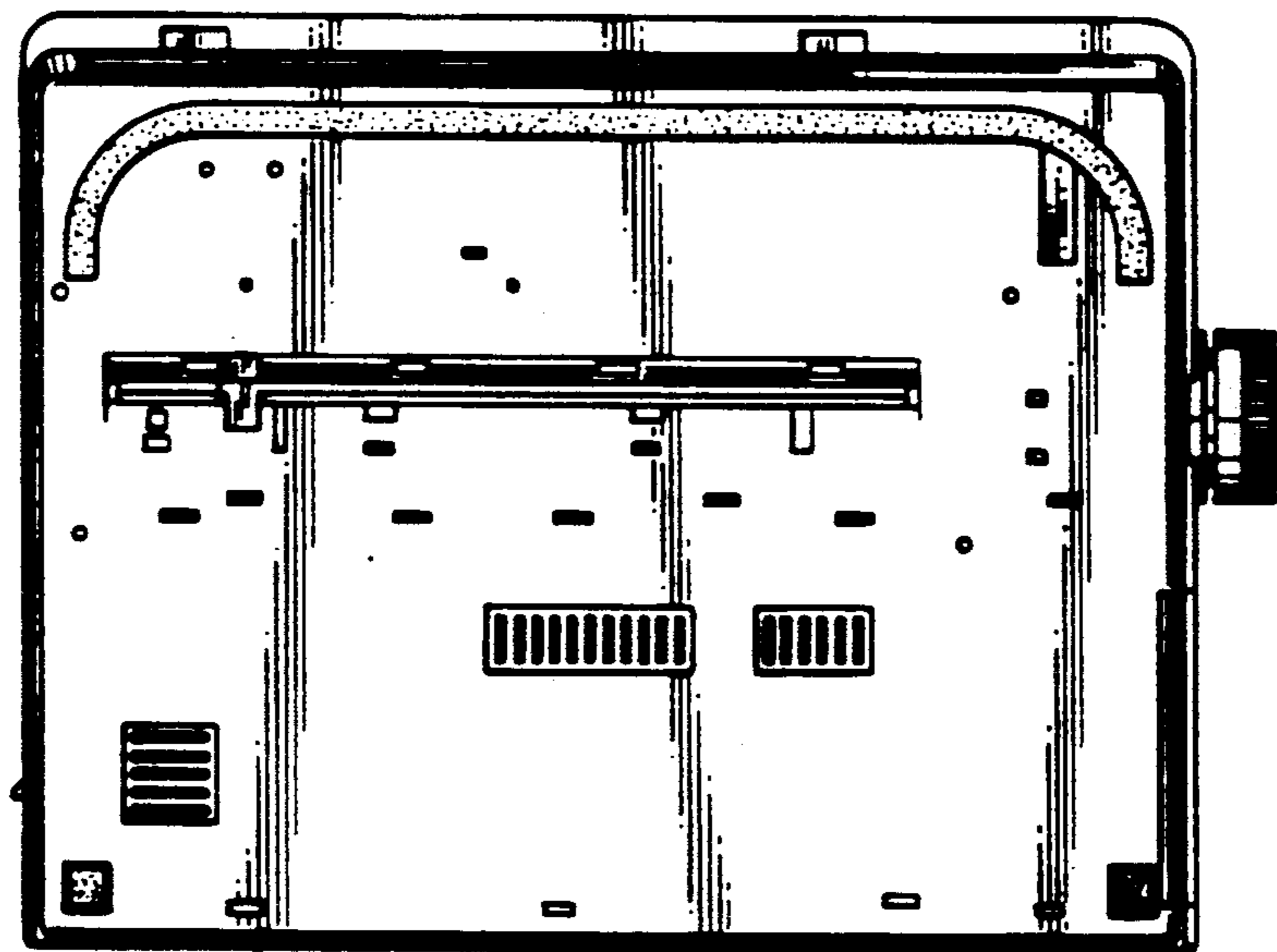


FIG.7

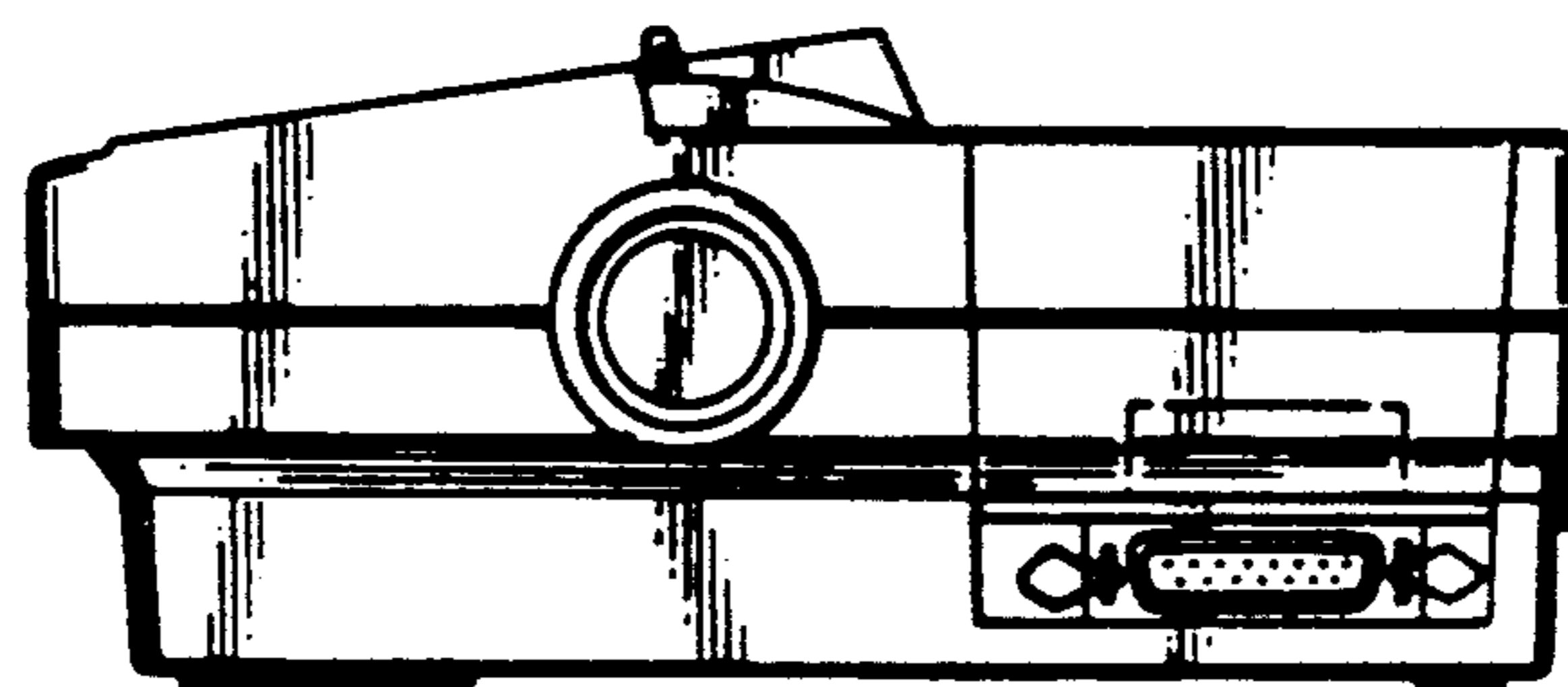


FIG.8

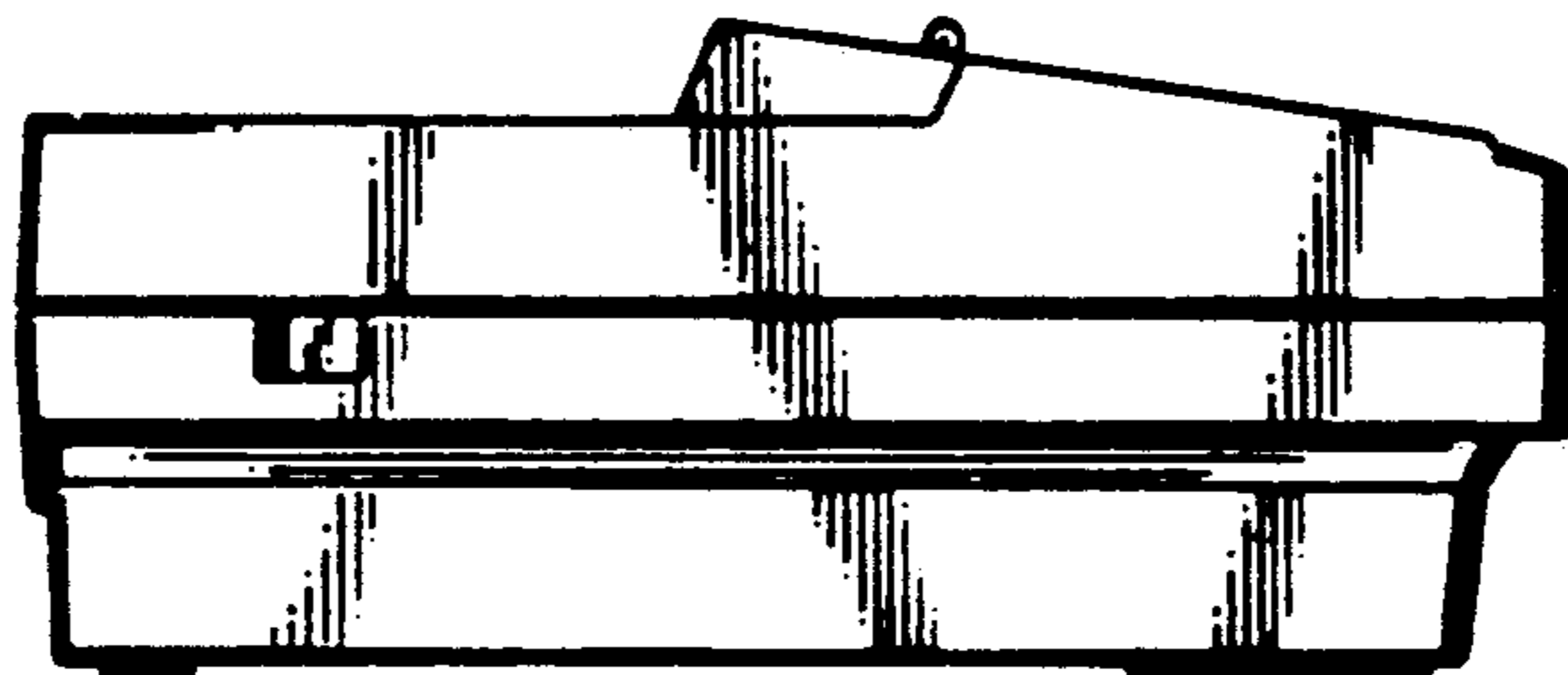


FIG.9

