

[54] PORTABLE PRINTER

4,837,590 6/1989 Sprague D14/106
4,859,092 8/1989 Makita D14/111

[75] Inventors: Toru Irie; Yohinori Kakiuchi;
Shinichiro Tsurumaru, all of
Kawasaki, Japan; Glen S. Keith,
Encinitas, Calif.

OTHER PUBLICATIONS

Edmunds Scientific 1983 Summer Catalog; p. 17; Item
F33, 170 top page (Electronic Typing Mach. and Case).

[73] Assignee: Fujitsu Limited, Kawasaki, Japan

Primary Examiner—A. Hugo Word
Assistant Examiner—Cathy Anne MacCormac
Attorney, Agent, or Firm—Staas & Halsey

[**] Term: 14 Years

[21] Appl. No.: 343,248

[22] Filed: Apr. 26, 1989

[57] CLAIM

The ornamental design for a portable printer, as shown
and described.

[30] Foreign Application Priority Data

Nov. 7, 1988 [JP] Japan 63-43547

DESCRIPTION

[52] U.S. Cl. D18/54; D3/301;
D14/118

[58] Field of Search D18/6, 13, 34, 36, 39;
D14/100, 106, 107, 108, 118, 141, 144;
D3/30.1, 33, 72-74, 76; 400/208, 613, 691-694,
613.1-613.4; 206/523

FIG. 1 is a perspective view of a portable printer show-
ing our new design;

FIG. 2 is a perspective view of a portable printer with
the cover in open position and showing the telephone
interface;

FIG. 3 is another perspective view thereof with the
telephone interface removed for convenience of illus-
tration;

[56] References Cited

U.S. PATENT DOCUMENTS

- D. 245,455 8/1977 Cathey D3/30.1
- D. 279,475 7/1985 Papajohn D14/106
- D. 284,474 7/1986 Sawada D14/100
- D. 290,845 7/1987 Yobisui et al. D14/111
- D. 309,143 7/1990 Yang D3/74
- D. 315,573 3/1991 Schultz et al. D18/13
- 4,658,298 4/1987 Takeda et al. D3/33
- 4,790,431 12/1988 Reel et al. 206/523

FIG. 4 is a front elevational view thereof;

FIG. 5 is a rear elevational view thereof;

FIG. 6 is a right side elevational view thereof;

FIG. 7 is a left side elevational view thereof;

FIG. 8 is a top plan view thereof;

FIG. 9 is a bottom plan view thereof;

FIG. 10 is a sectional view thereof taken along line
10-10 in FIG. 4.

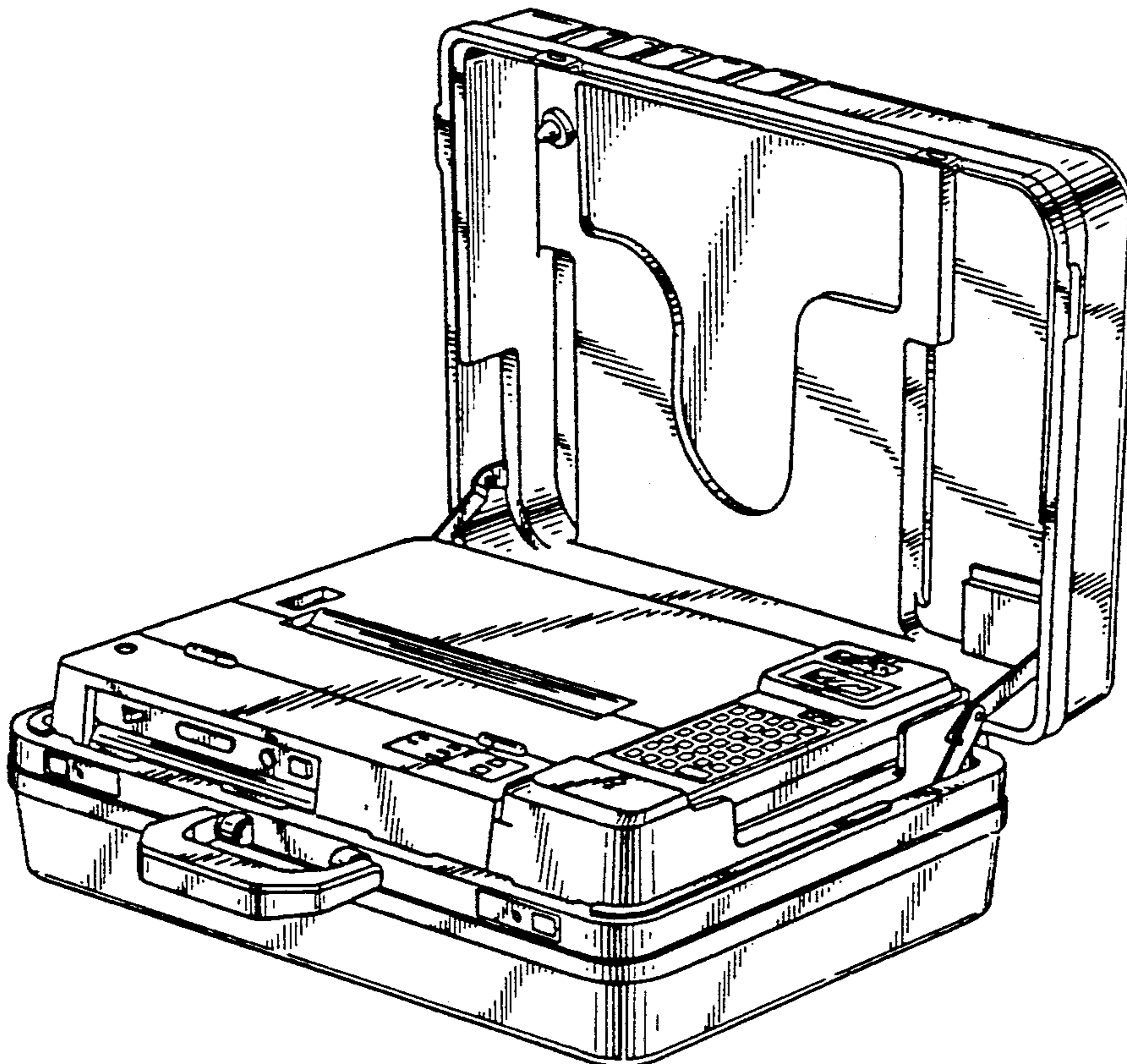


FIG. 1

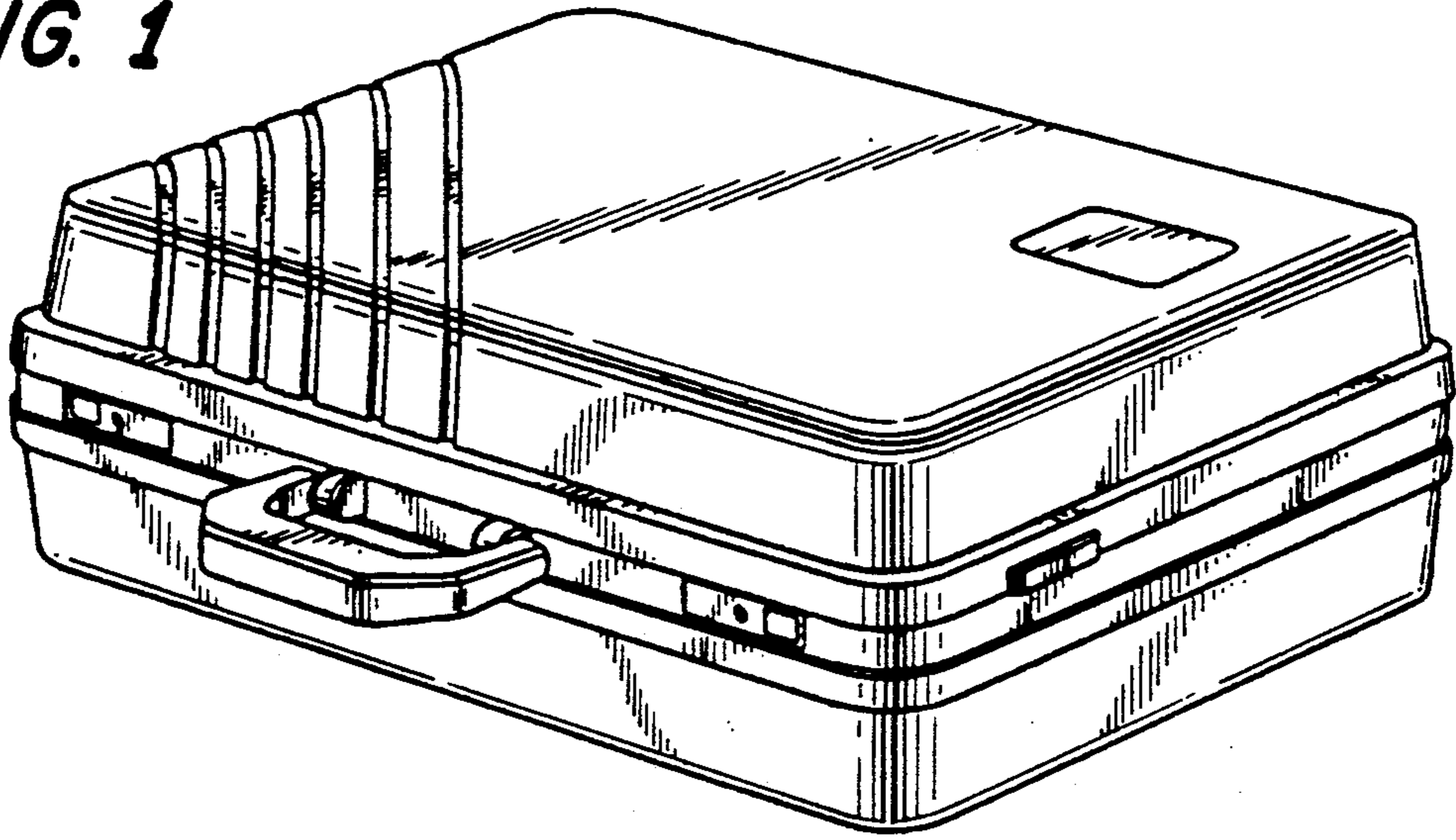


FIG. 2

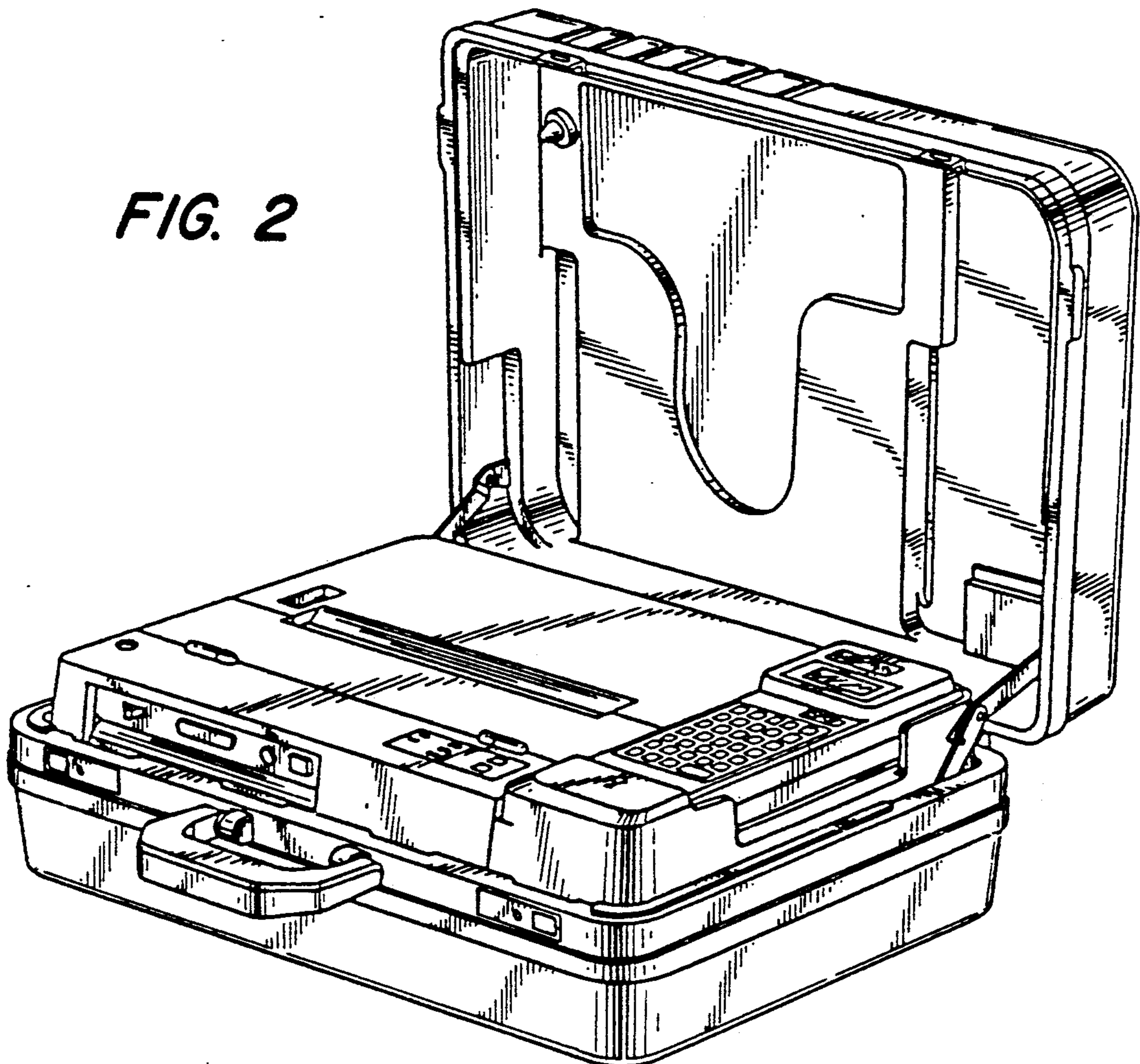


FIG. 3

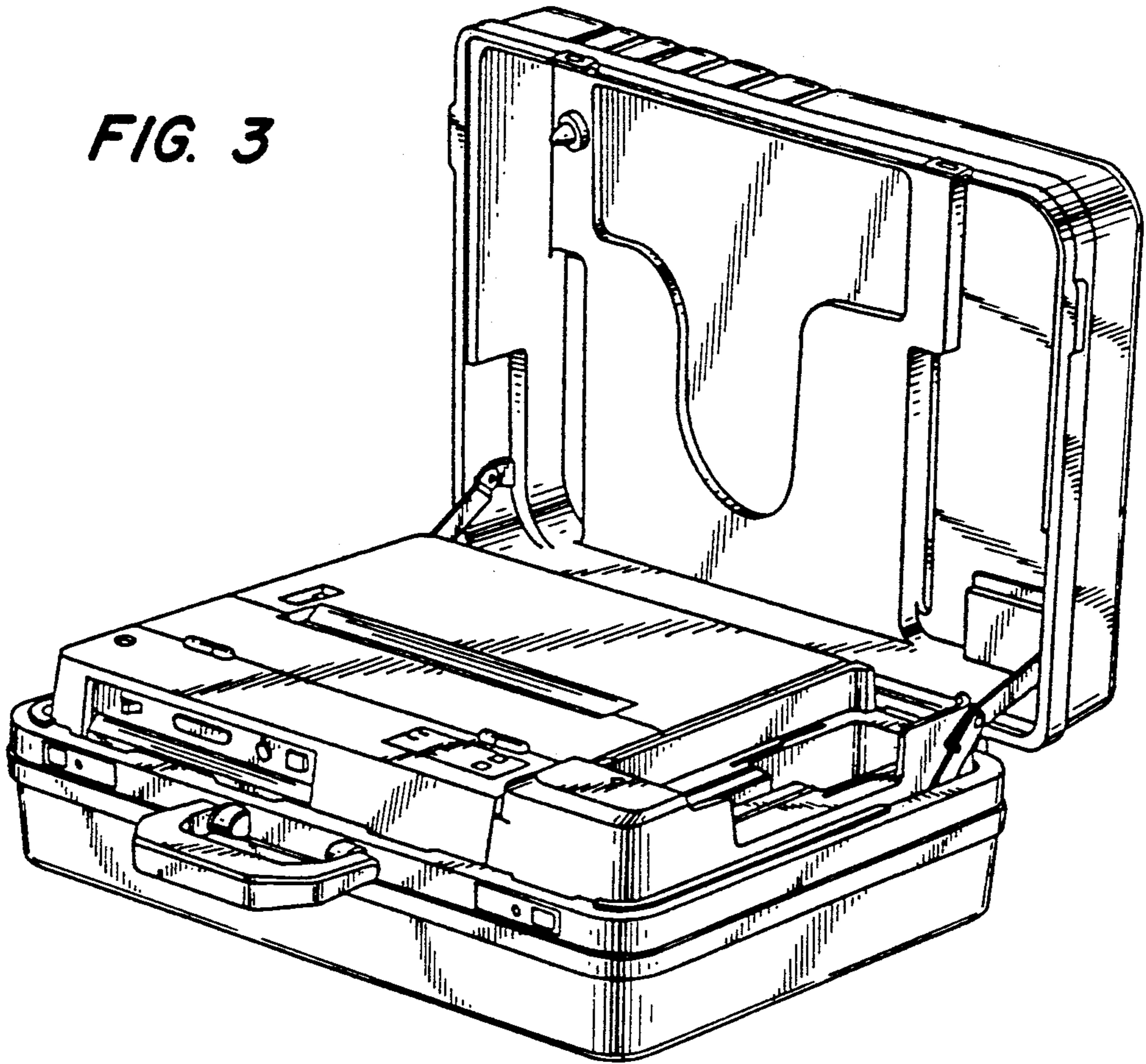


FIG. 4

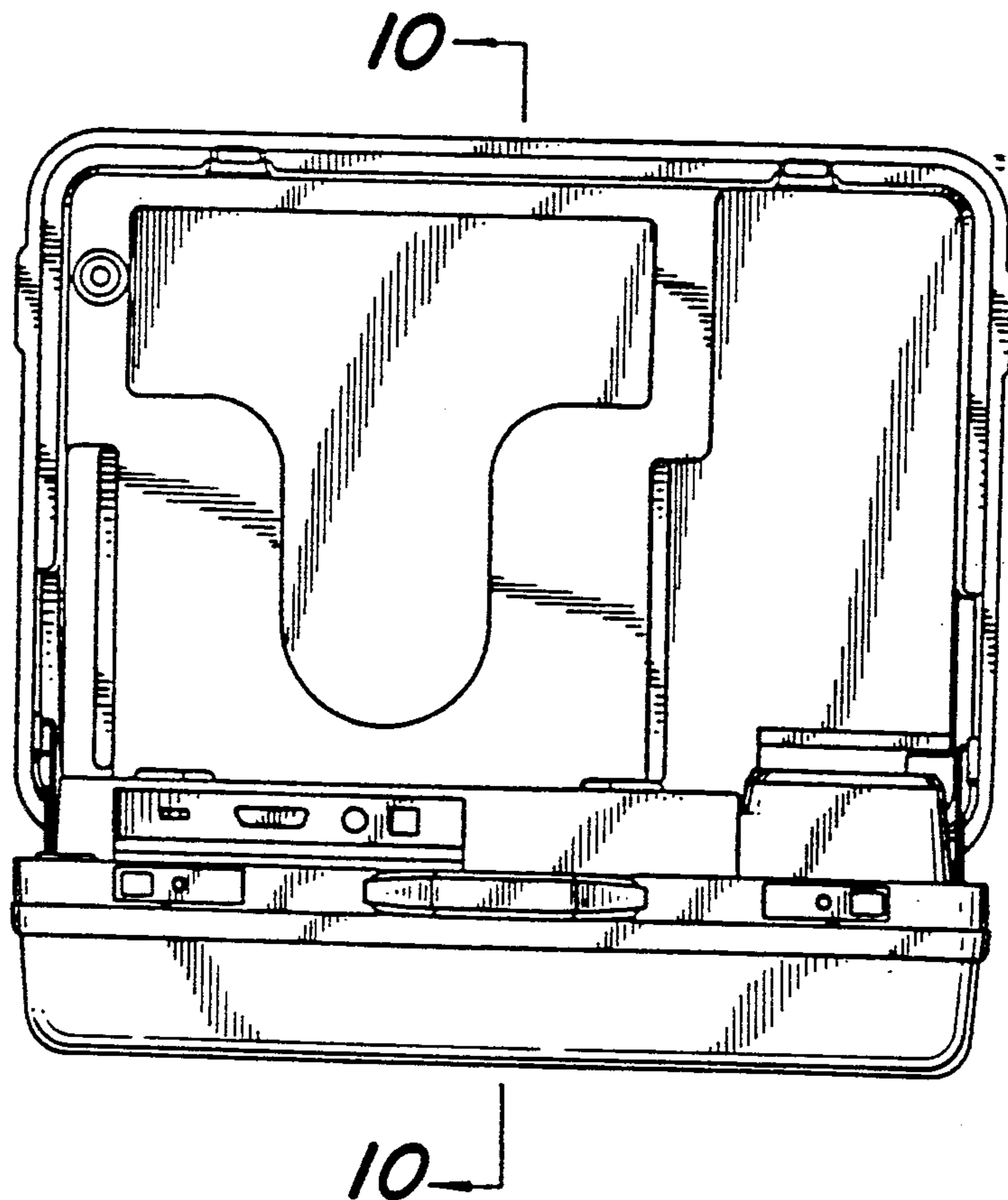


FIG. 5

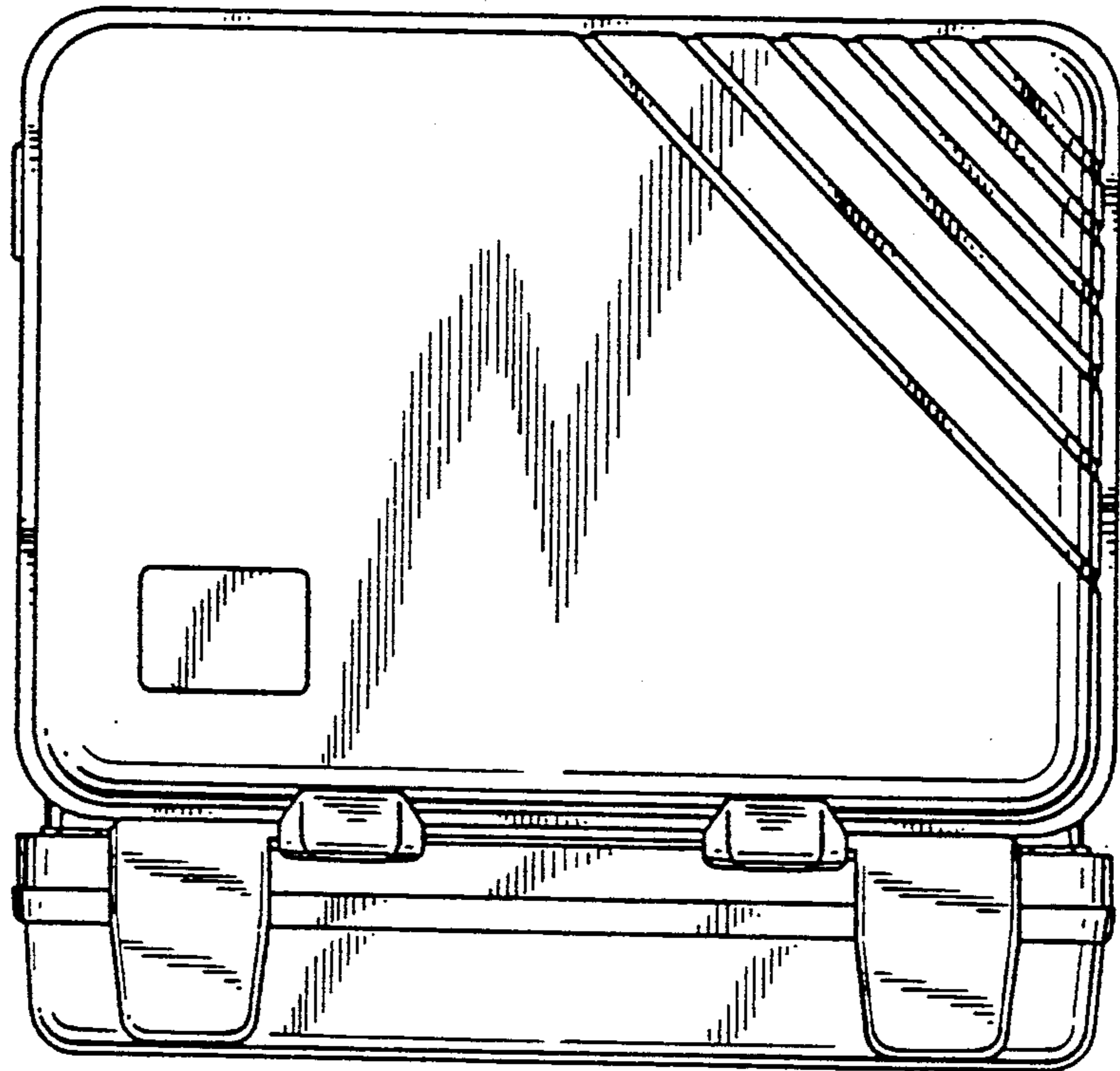
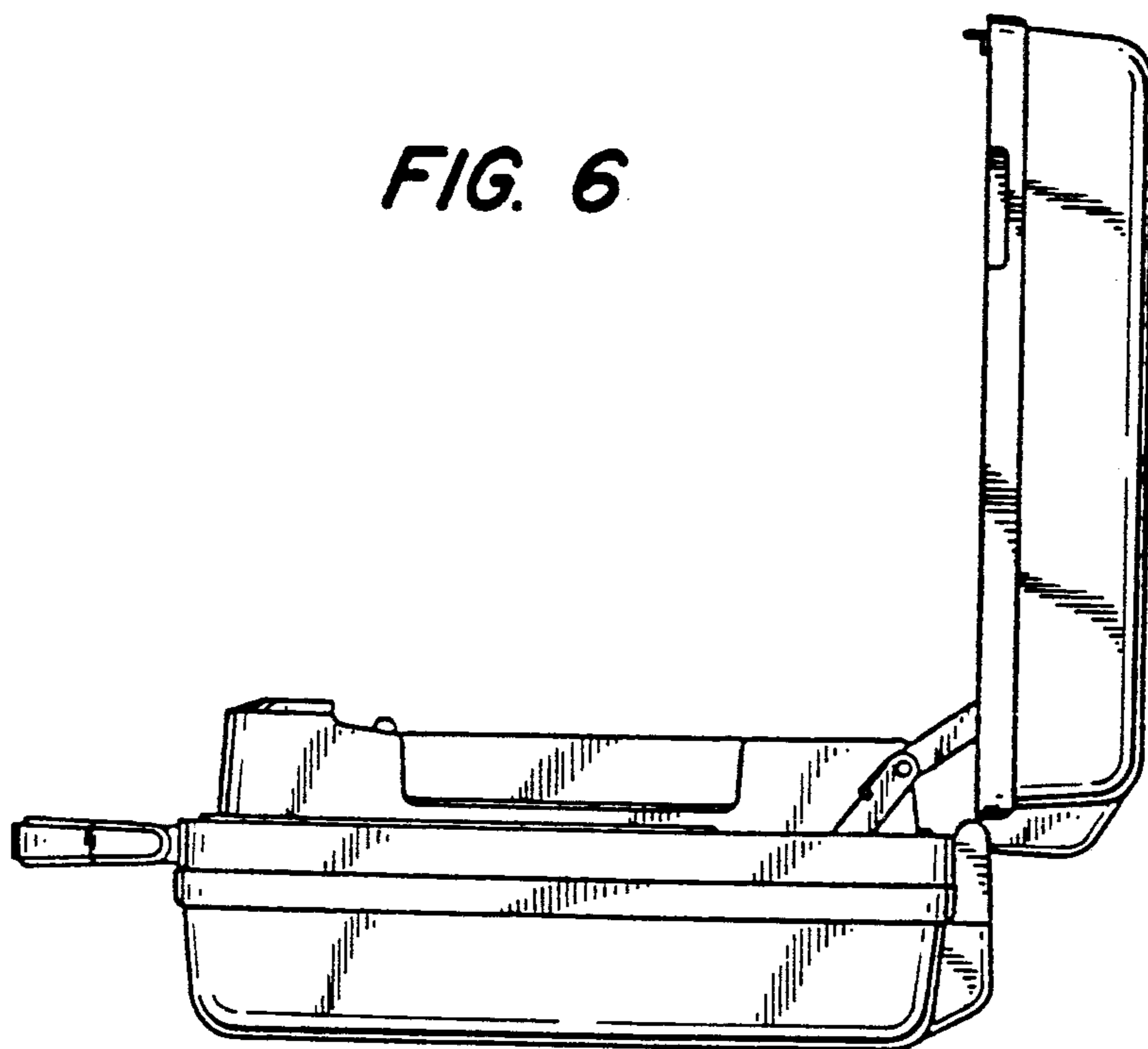


FIG. 6



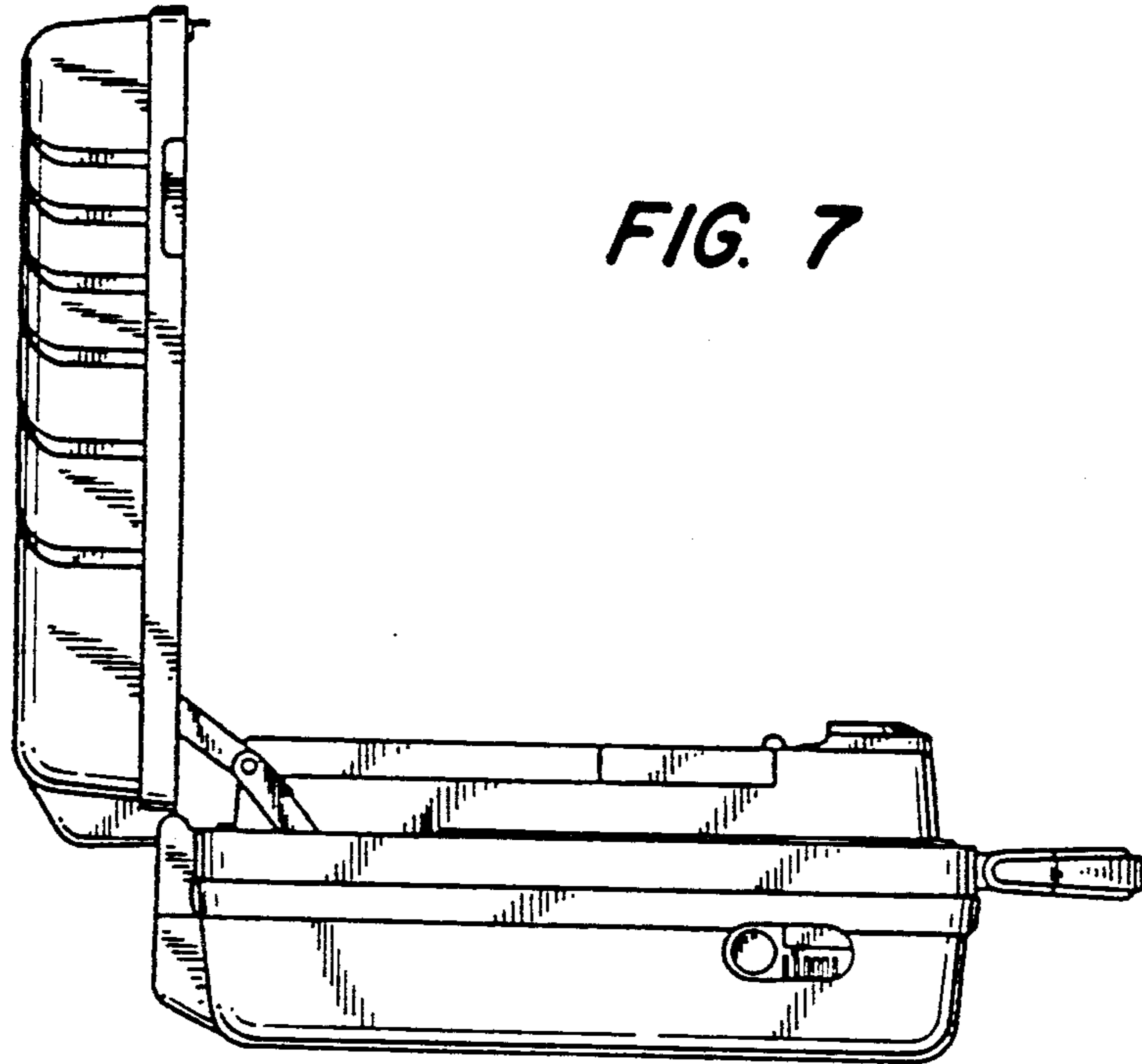


FIG. 7

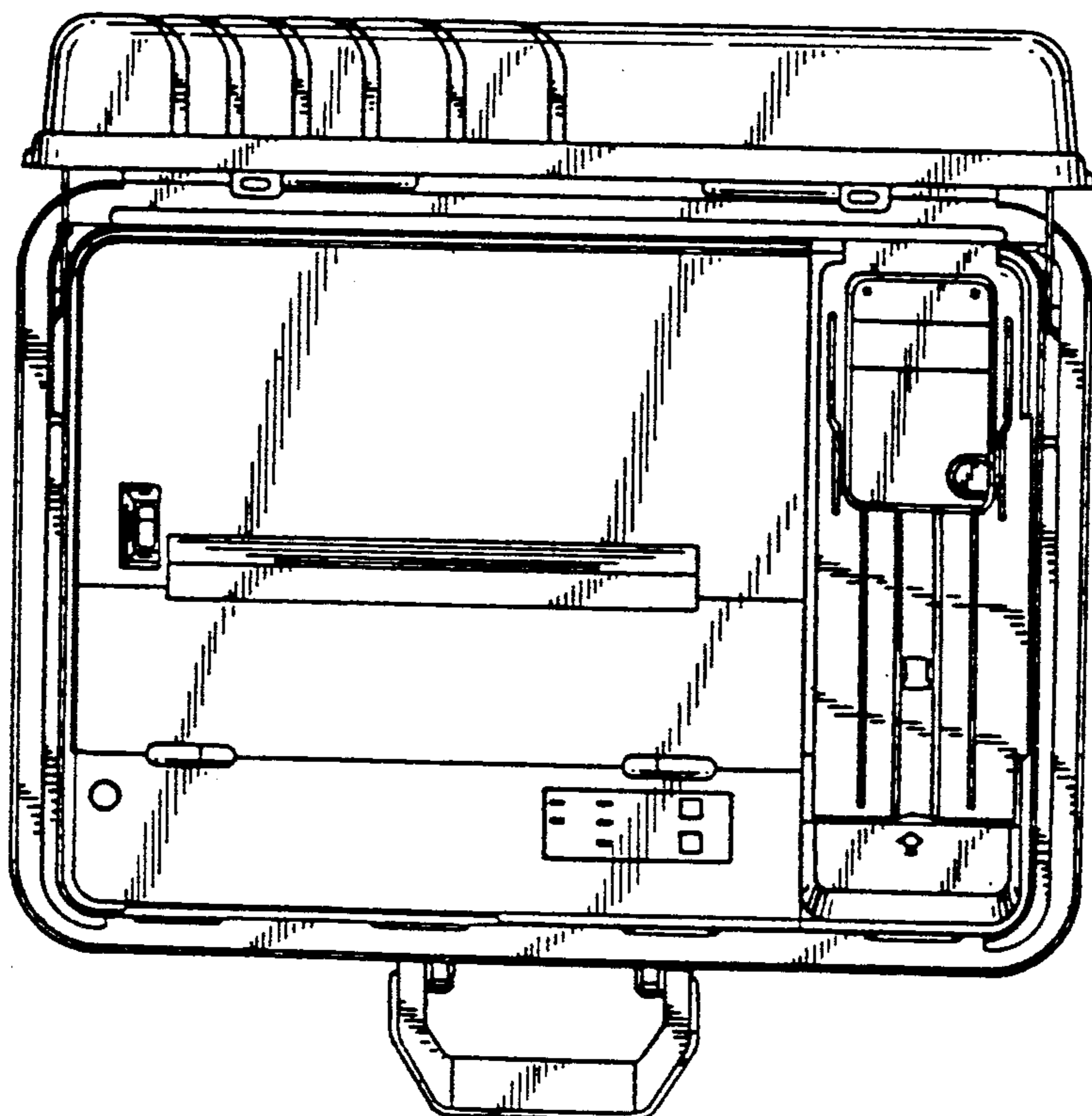


FIG. 8

FIG. 9

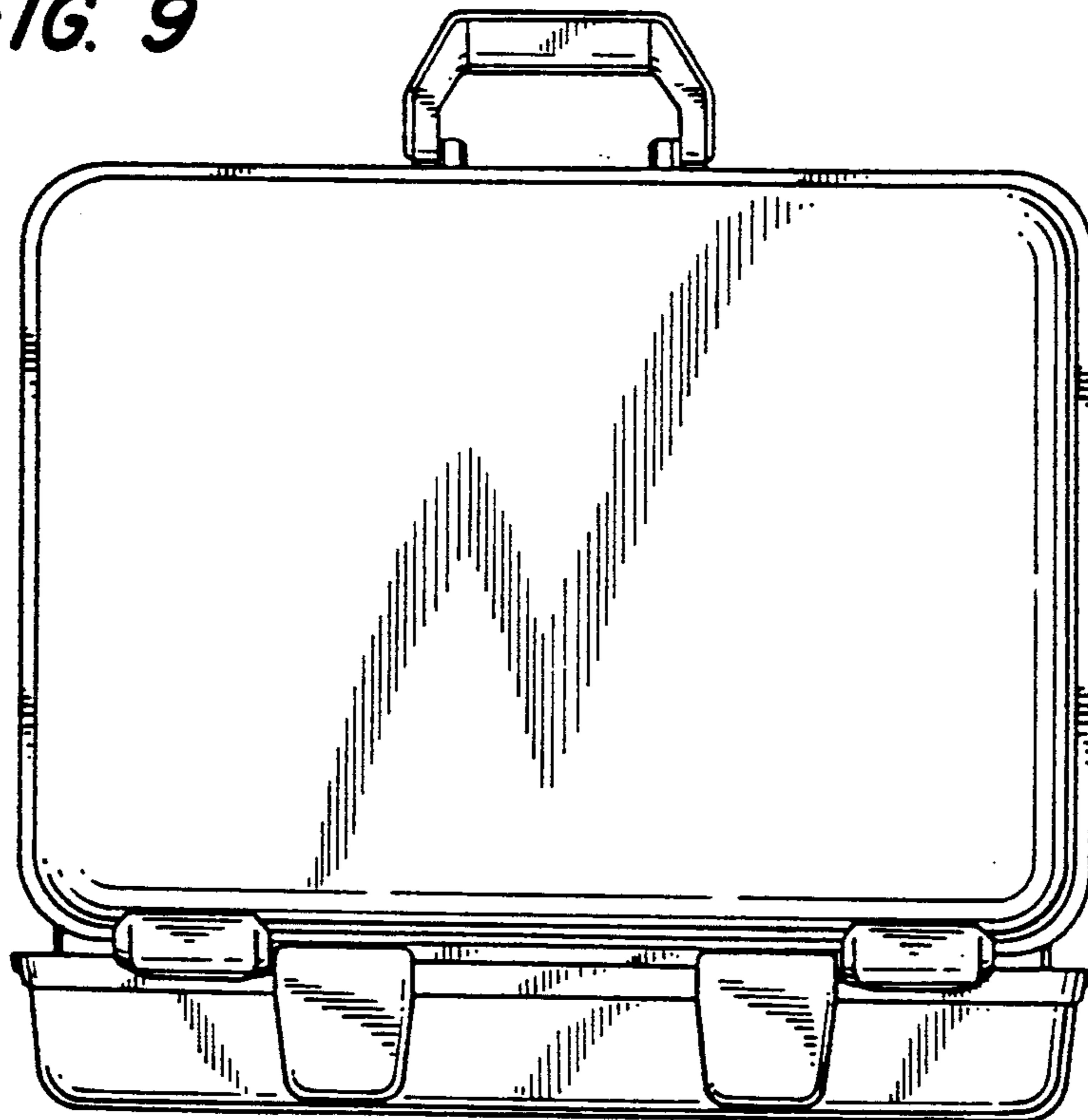


FIG. 10

